



US00D883031S

(12) **United States Design Patent**
Wolfgram

(10) **Patent No.:** **US D883,031 S**

(45) **Date of Patent:** **** May 5, 2020**

- (54) **SPHERE DEVICE ON A CUP**
- (71) Applicant: **BENSHOT, LLC**, Hortonville, WI (US)
- (72) Inventor: **Ben Wolfgram**, Appleton, WI (US)
- (73) Assignee: **BenShot, LLC**, Hortonville, WI (US)
- (**) Term: **15 Years**
- (21) Appl. No.: **29/693,677**
- (22) Filed: **Jun. 4, 2019**

Related U.S. Application Data

- (62) Division of application No. 29/637,457, filed on Feb. 19, 2018, now Pat. No. Des. 859,082.
- (51) **LOC (12) Cl.** **07-01**
- (52) **U.S. Cl.**
USPC **D7/515; D7/509; D7/901; D7/396.2; D9/668**
- (58) **Field of Classification Search**
USPC D7/505.507, 514, 515, 509, 536, 901, D7/396.2; D21/712, 708, 709; D9/668
CPC G10D 3/163; A47G 19/2227; B65D 1/10
See application file for complete search history.

(56) **References Cited**

U.S. PATENT DOCUMENTS

- D219,529 S * 12/1970 Urhmann D7/523
- D282,232 S * 1/1986 Bussell D7/509
- 4,932,542 A * 6/1990 Chen A47G 19/2227
215/374
- 5,029,700 A * 7/1991 Chen A47G 19/2227
206/217
- D328,688 S * 8/1992 Palmer D7/511
- D354,199 S * 1/1995 Rigsby D7/514
- 6,290,615 B1 * 9/2001 Ogg A63B 37/0004
473/378

- D449,358 S * 10/2001 Ogg D21/708
- 6,620,060 B2 * 9/2003 Ogg A63B 37/0003
473/351
- D506,910 S * 7/2005 Tham-itthisak D7/509
- D508,372 S * 8/2005 Martinez-Lopez D7/509
- D545,130 S * 6/2007 Mills D7/510
- D550,097 S * 9/2007 Lepoitevin D9/551
- 7,300,171 B2 * 11/2007 Sutton A47G 19/2227
215/383
- D604,562 S * 11/2009 Lopez D7/510
- D628,440 S * 12/2010 LeVere D7/514
- D628,441 S * 12/2010 LeVere D7/514
- D630,520 S * 1/2011 Yu D28/91.1
- D646,926 S * 10/2011 Willat D7/509
- D663,589 S * 7/2012 Pascot D7/509
- D698,603 S * 2/2014 Huckestein D7/509
- D703,489 S * 4/2014 Thomas D7/523
- D713,204 S * 9/2014 Katterheinrich D7/509

(Continued)

Primary Examiner — Marianne N Pandozzi

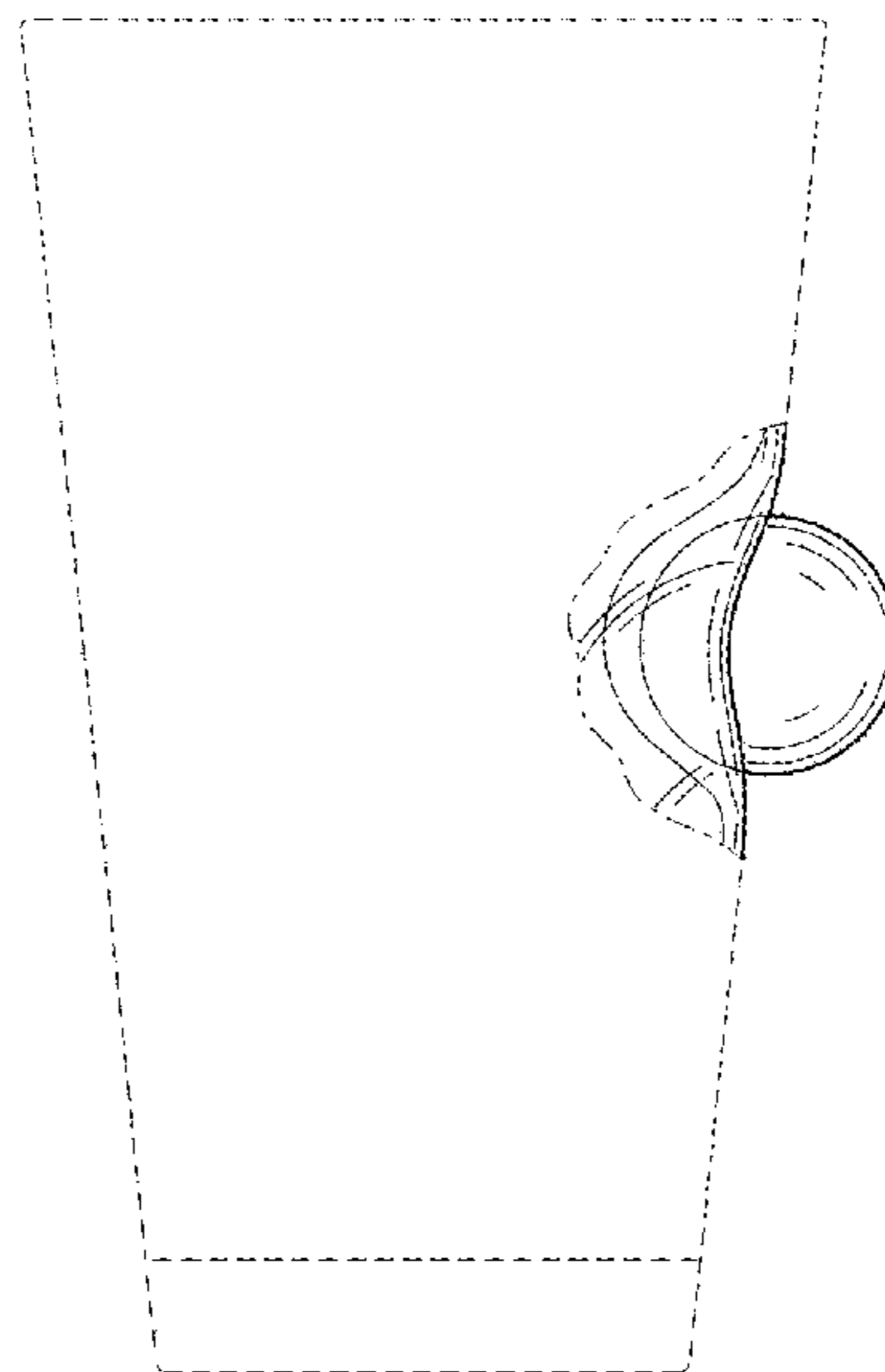
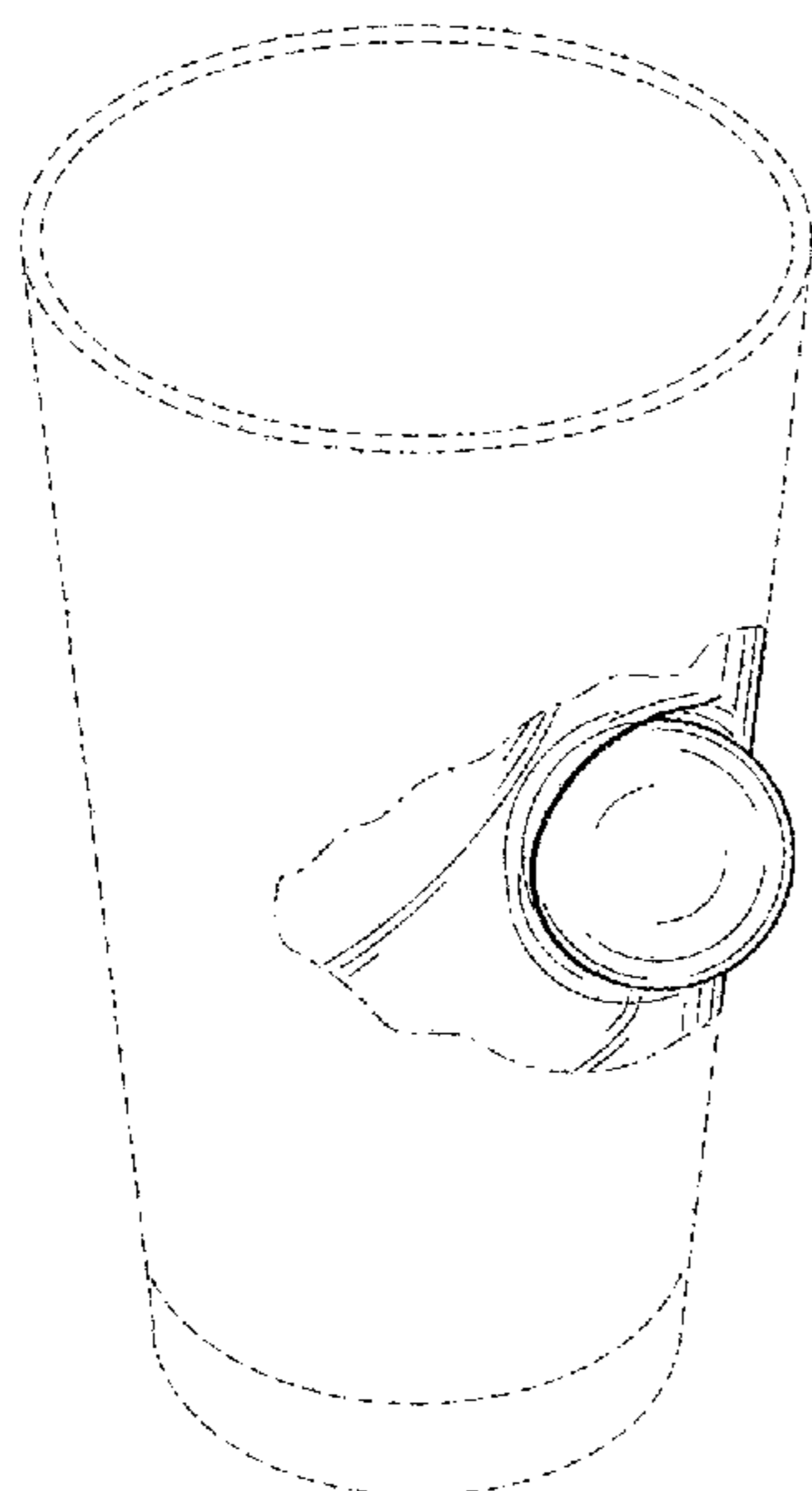
(57) **CLAIM**

The ornamental design for a sphere device on a cup, as shown and described.

DESCRIPTION

FIG. 1 is a perspective view showing the sphere device on a cup;
 FIG. 2 is a front elevation view thereof;
 FIG. 3 is a left side elevation view thereof, the right side elevation being the mirror image;
 FIG. 4 is a top plan view thereof;
 FIG. 5 is a bottom plan view thereof;
 FIG. 6 is a front elevation view of a variation of the sphere device on a cup; and,
 FIG. 7 is a left side elevation view thereof, the right side elevation being the mirror image.
 The broken lines in the drawing views are included for the purpose of illustrating unclaimed environment only, and forms no part of the claimed design.

1 Claim, 3 Drawing Sheets



(56)

References Cited

U.S. PATENT DOCUMENTS

D722,825	S *	2/2015	Miller	D7/509
D724,898	S *	3/2015	Willat	D7/523
D725,256	S *	3/2015	Bisla	D23/370
D725,763	S *	3/2015	Bisla	D23/370
D729,007	S *	5/2015	Kehoe	D7/507
D738,445	S *	9/2015	Black	D21/707
D754,481	S *	4/2016	Carpenter	D7/523
D795,650	S *	8/2017	Weitman	D7/509
D801,751	S *	11/2017	Merten	D7/536
D806,479	S *	1/2018	Perrulli	B65D 1/0276
					D7/523
D817,097	S *	5/2018	Arora	D7/523
D831,138	S *	10/2018	Winfield	D21/709
D846,947	S *	4/2019	Godinger	D7/507
D850,210	S *	6/2019	Wolfgram	D7/515
D857,450	S *	8/2019	Wolfgram	D7/396.2
D859,082	S *	9/2019	Wolfgram	D7/515
2013/0165271	A1 *	6/2013	Lee	A63B 37/0004
					473/378

* cited by examiner

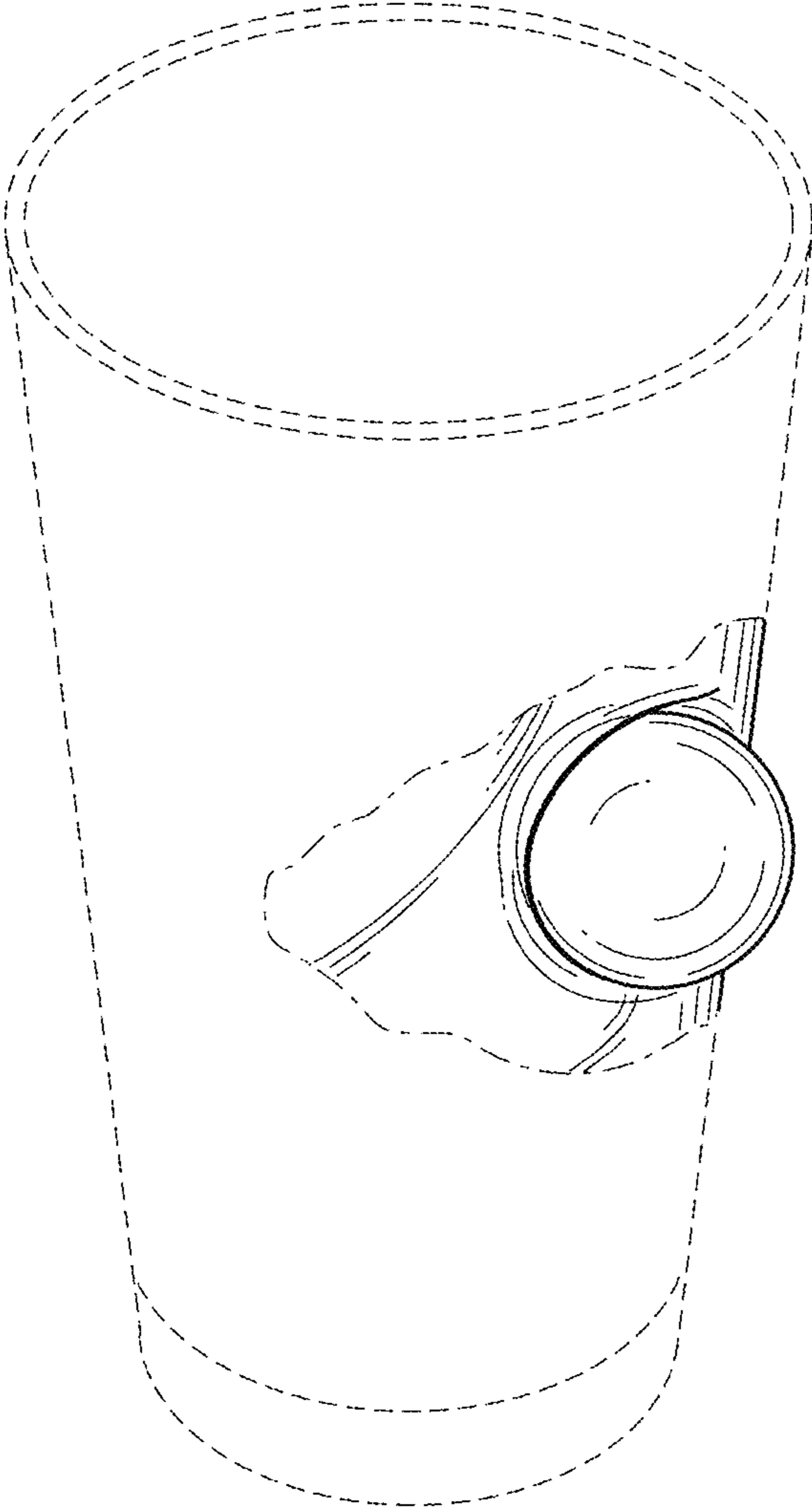


FIG. 1

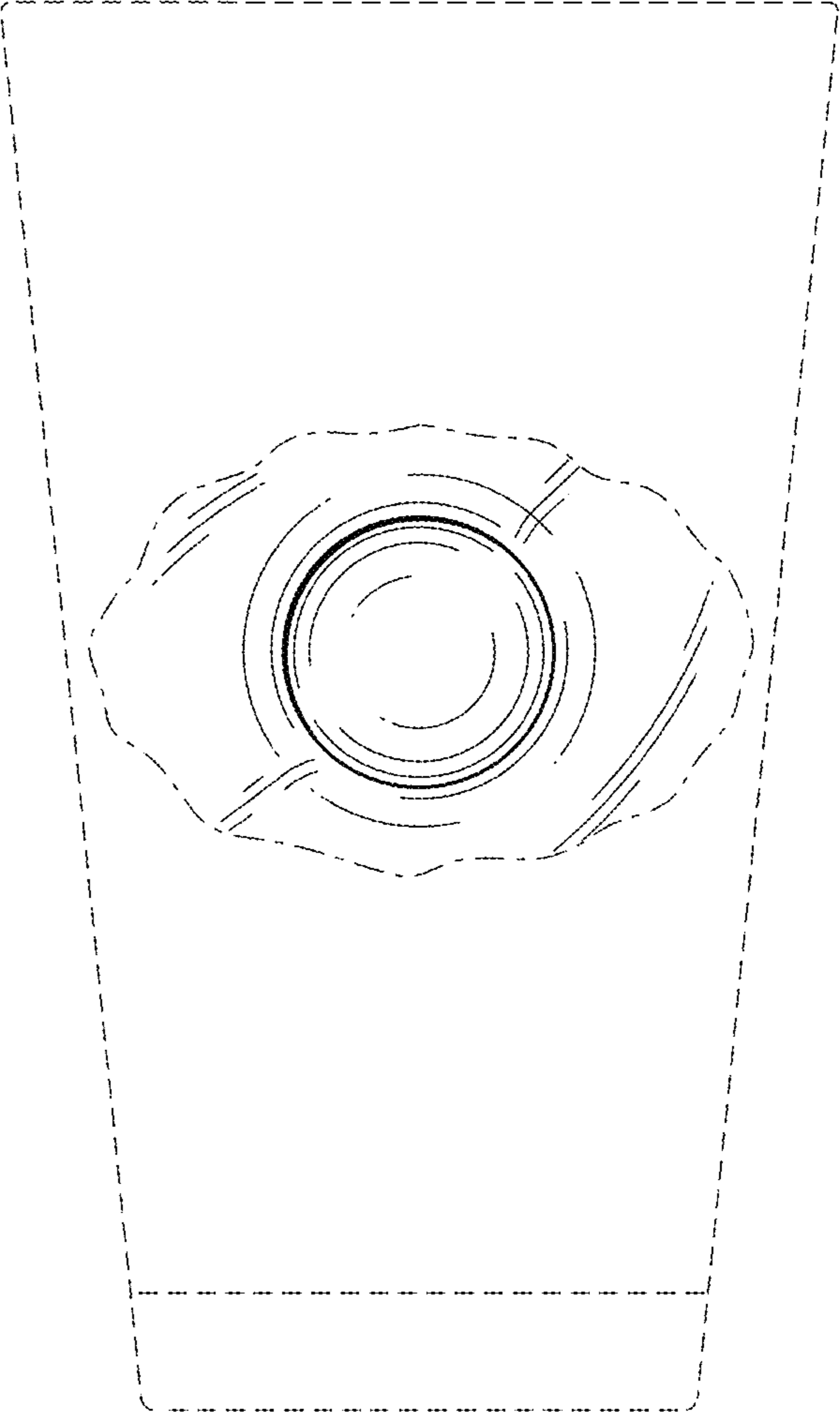


FIG. 2

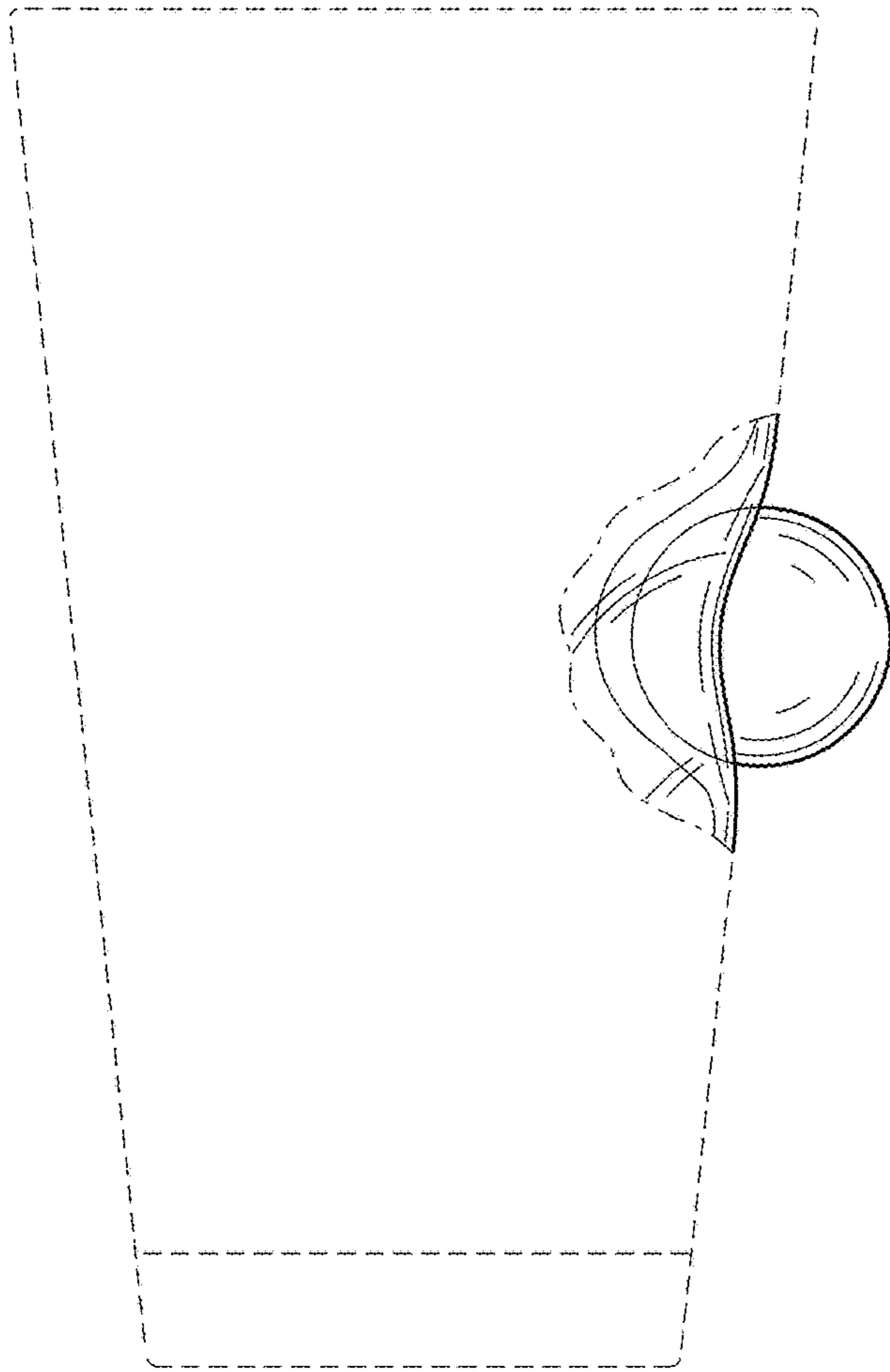


FIG. 3

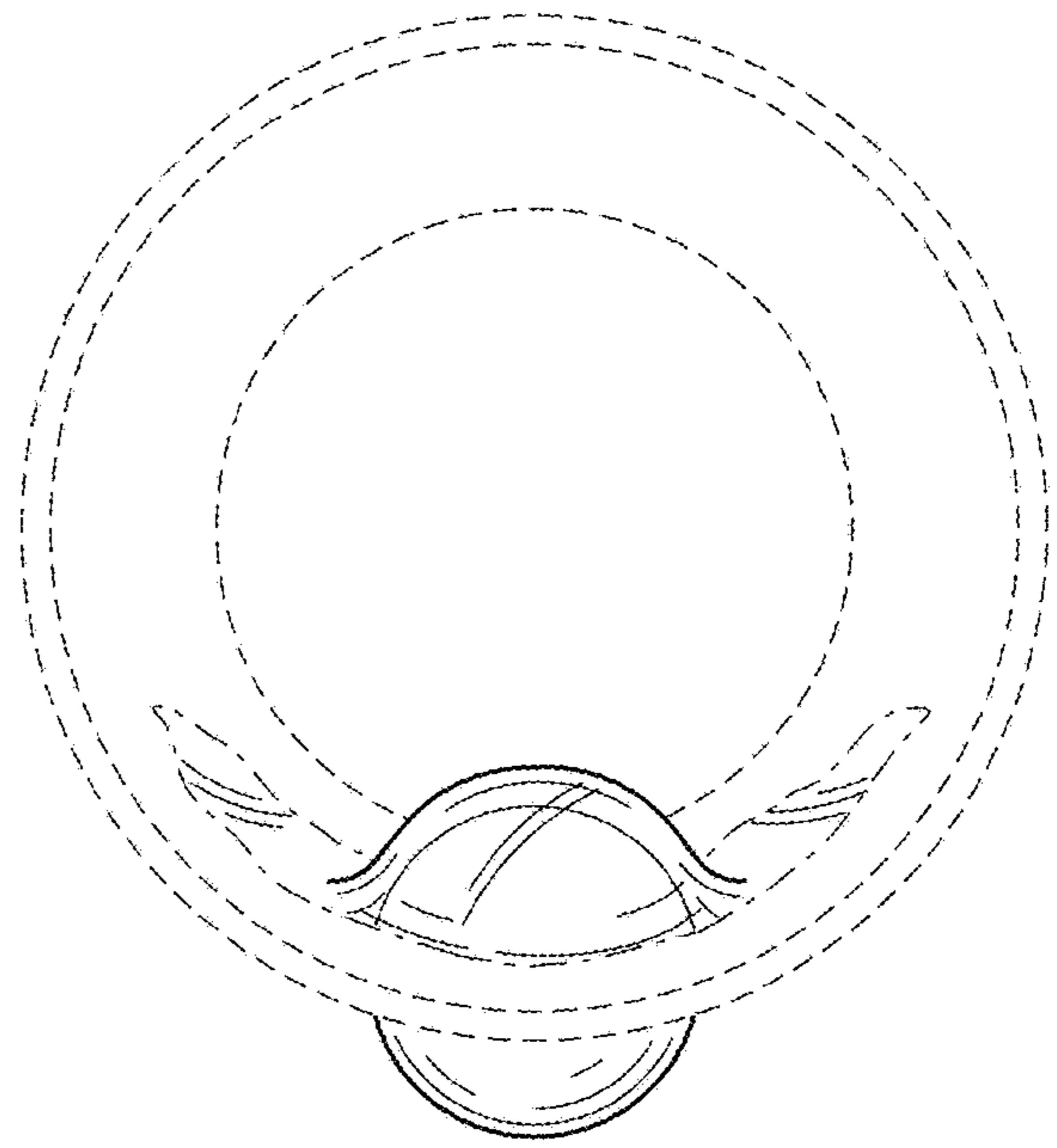


FIG. 4

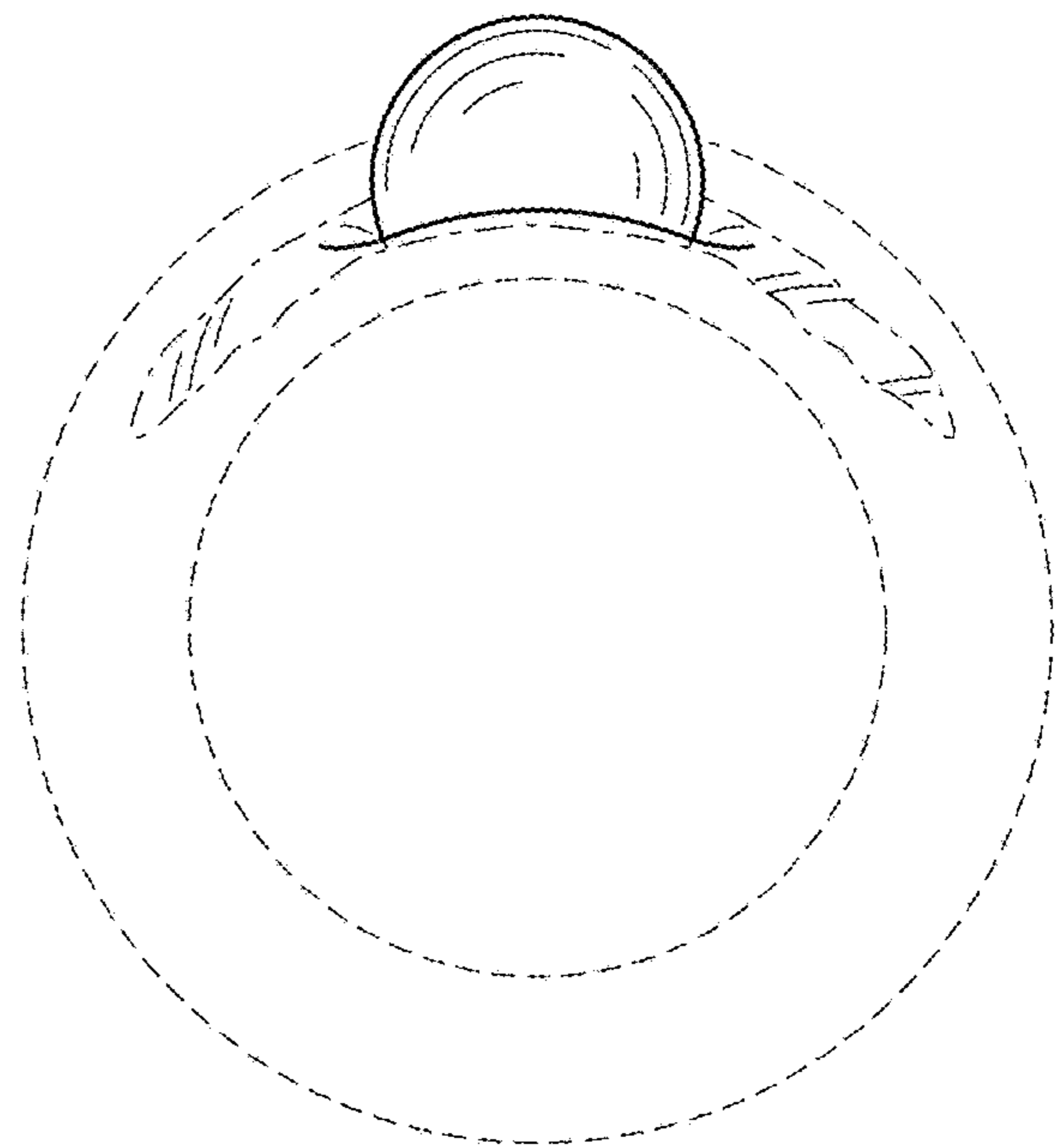


FIG. 5

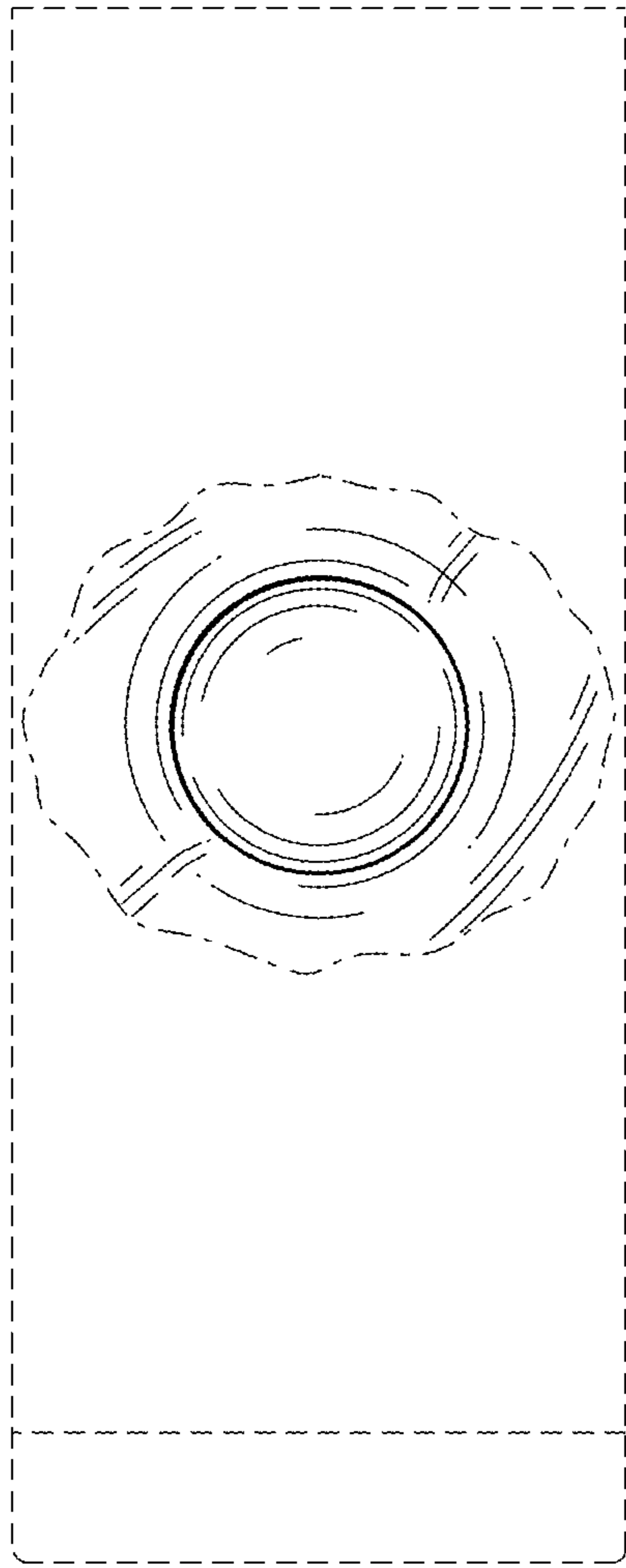


FIG. 6

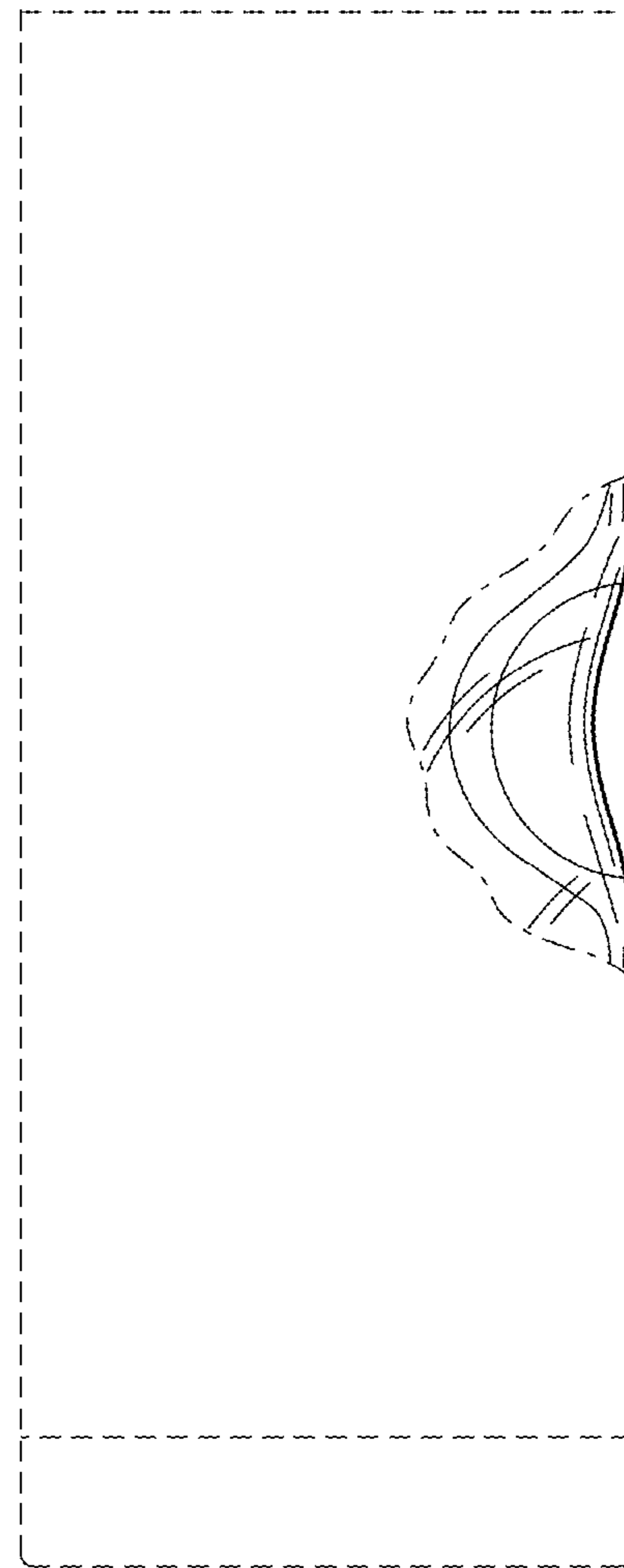


FIG. 7