



US00D883026S

(12) **United States Design Patent** (10) **Patent No.:** **US D883,026 S**  
**Fleischhut** (45) **Date of Patent:** **\*\* May 5, 2020**

(54) **LID FOR DRINKING VESSELS**

(71) Applicant: **ESBIT COMPAGNIE GMBH**,  
Hamburg (DE)

(72) Inventor: **Dirk Fleischhut**, Zürich (CH)

(\*\*) Term: **15 Years**

(21) Appl. No.: **35/505,836**

(22) Filed: **Sep. 5, 2018**

(80) **Hague Agreement Data**  
 Int. Filing Date: **Sep. 5, 2018**  
 Int. Reg. No.: **DM/103041**  
 Int. Reg. Date: **Sep. 5, 2018**  
 Int. Reg. Pub. Date: **Oct. 12, 2018**

(30) **Foreign Application Priority Data**  
 Mar. 12, 2018 (EM) ..... 004750917-0001

(51) **LOC (12) Cl.** ..... **07-99**

(52) **U.S. Cl.**  
 USPC ..... **D7/392.1**

(58) **Field of Classification Search**  
 USPC ..... D7/622, 619.1, 602, 605, 608, 542,  
 D7/509-511, 507, 500, 629, 624.3, 900,  
 D7/392, 300, 312-317, 321, 396.2, 392.1;  
 D9/549, 772, 516, 454, 435, 504, 503,  
 D9/767, 575, 574, 558, 780, 447  
 CPC ... A47G 19/2288; A47G 19/2205; A45F 3/16;  
 A45F 3/18; B65D 81/38; B65D 81/3837;  
 B65D 81/3865

See application file for complete search history.

(56) **References Cited**

U.S. PATENT DOCUMENTS

D373,927 S *	9/1996	Kramer	.....	D7/391
D546,123 S *	7/2007	Yelland	.....	D7/509
D550,508 S *	9/2007	Tien	.....	D7/510
D565,901 S *	4/2008	Edelstein	.....	D7/510
D587,069 S *	2/2009	Bodum	.....	D7/510
D588,412 S *	3/2009	Brooks	.....	D7/510
D622,545 S *	8/2010	Wahl	.....	D7/510
D622,546 S *	8/2010	Bodum	.....	D7/510
D624,789 S *	10/2010	Bodum	.....	D7/510
D701,425 S *	3/2014	Pearson	.....	D7/510
D728,311 S *	5/2015	Eyal	.....	D7/510
D826,641 S *	8/2018	Nickley	.....	D7/510

\* cited by examiner

*Primary Examiner* — Robert M. Spear

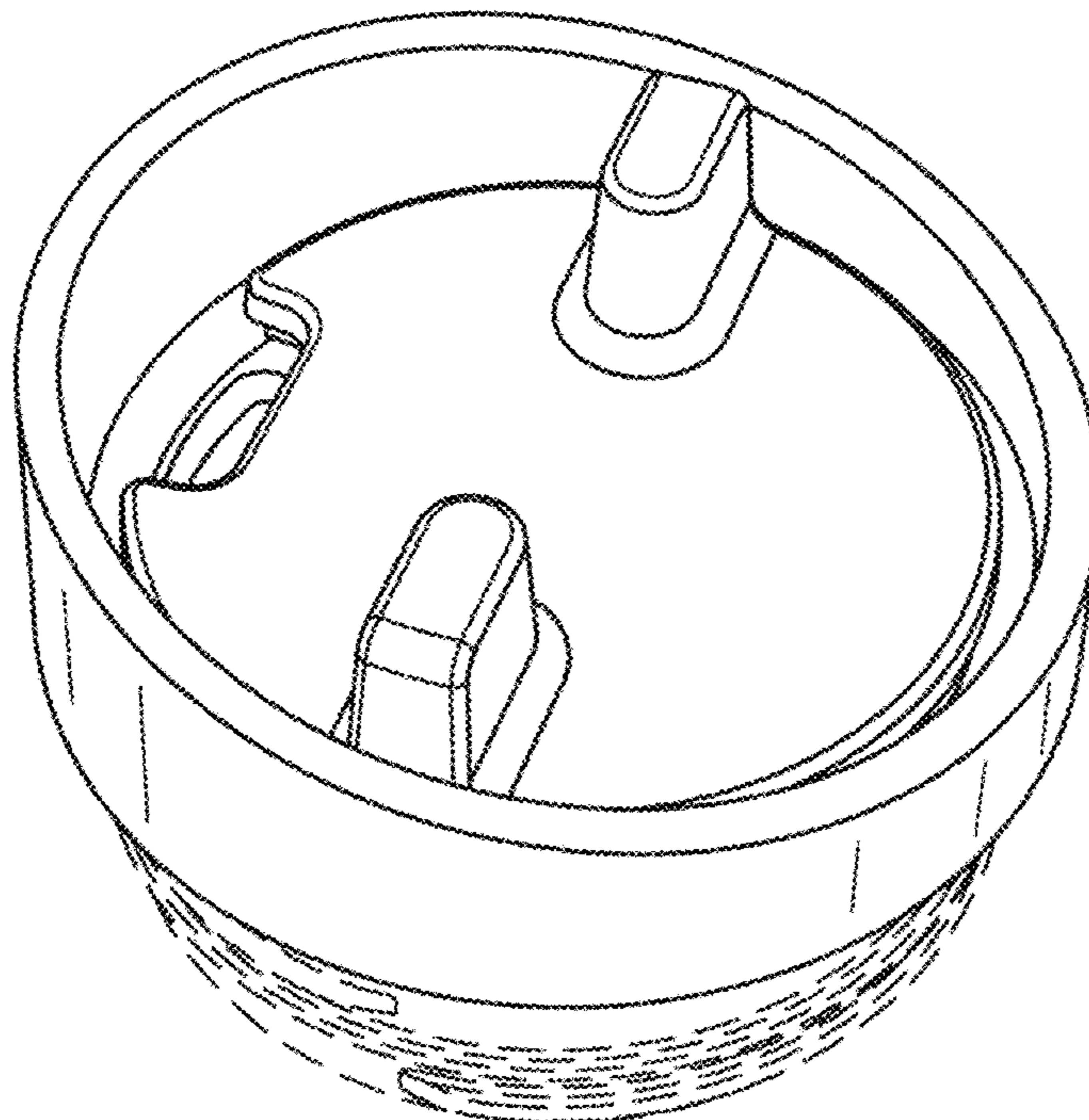
(57) **CLAIM**

The ornamental design for a lid for drinking vessels, as shown and described.

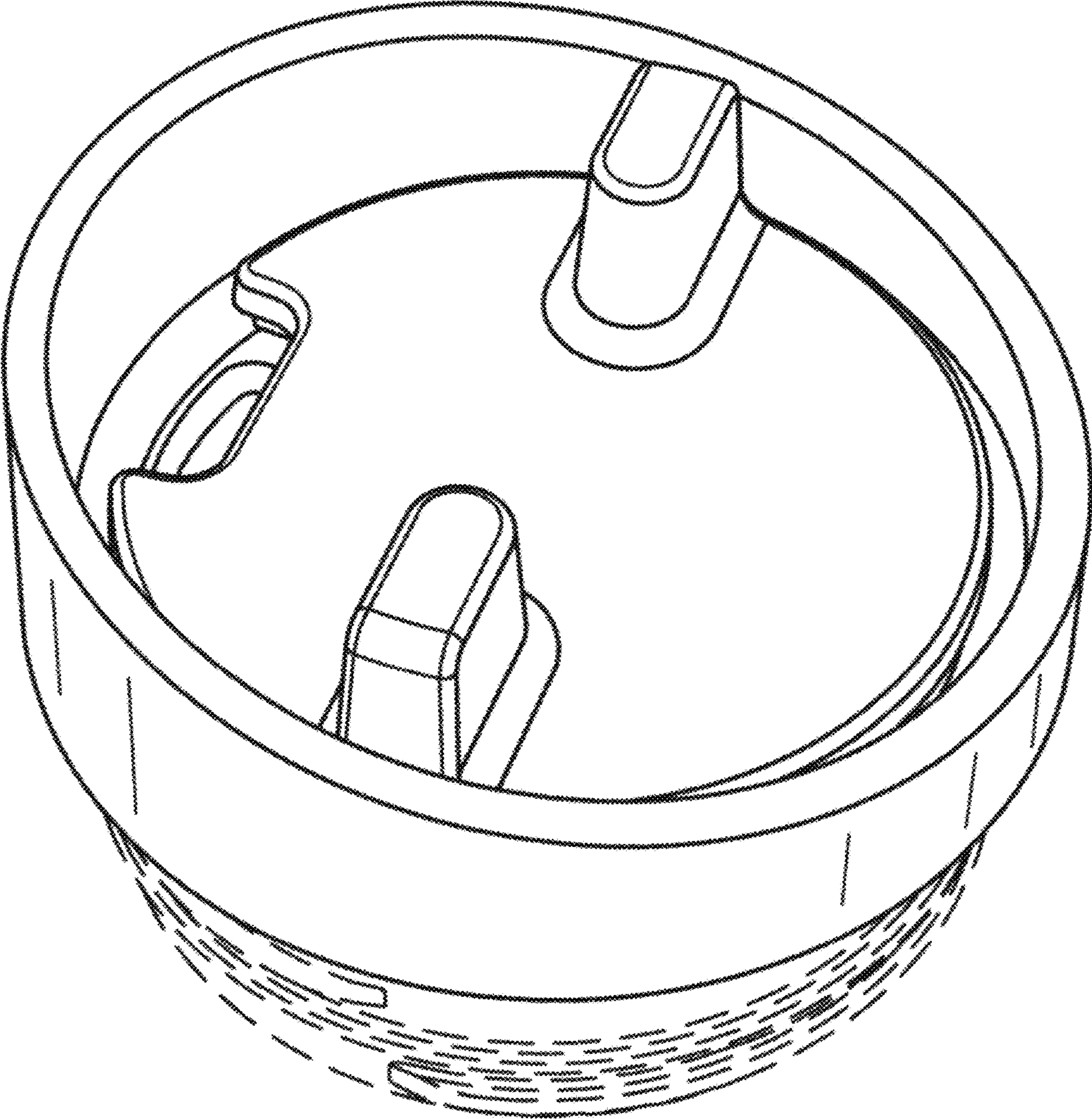
**DESCRIPTION**

1.1 is a perspective view of a lid for drinking vessels showing my new design;  
 1.2 is a front view thereof;  
 1.3 is a left side view thereof;  
 1.4 is a rear view thereof;  
 1.5 is a right side view thereof;  
 1.6 is a top plan view thereof;  
 1.7 is a bottom plan view thereof; and  
 1.8 is another perspective view thereof.  
 The broken lines showing portions of the article form no part of the claimed design.

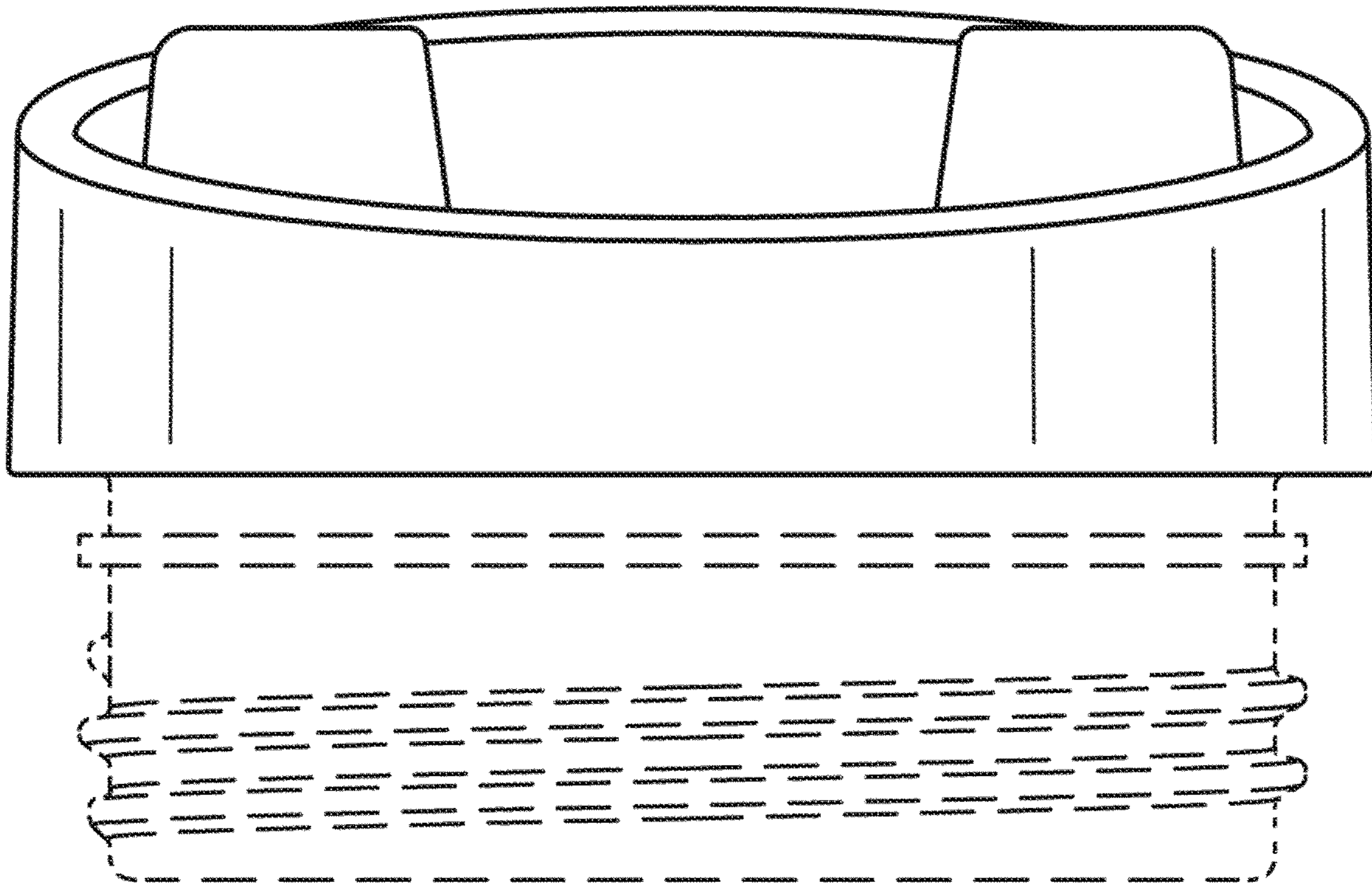
**1 Claim, 8 Drawing Sheets**



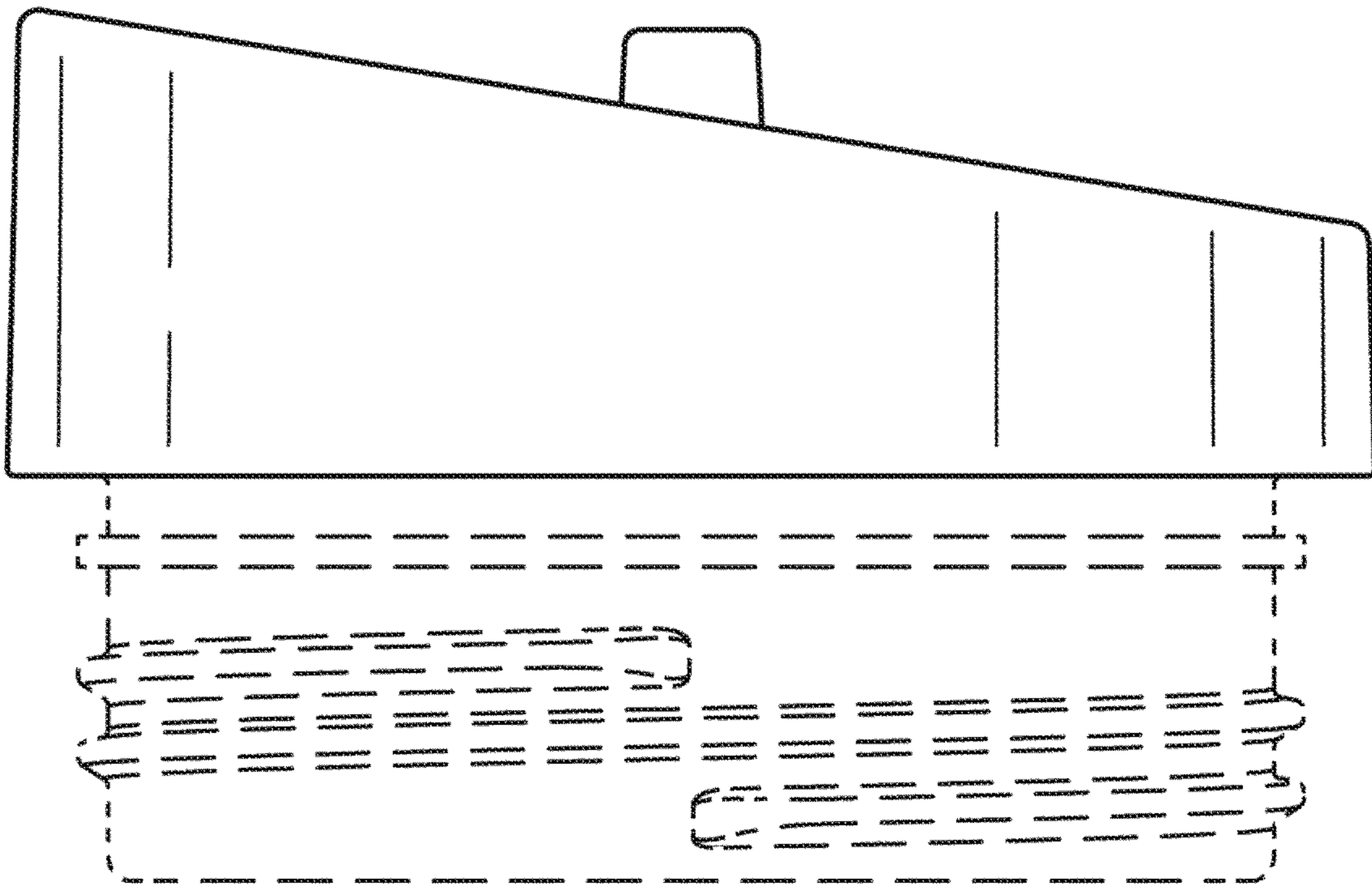
1.1



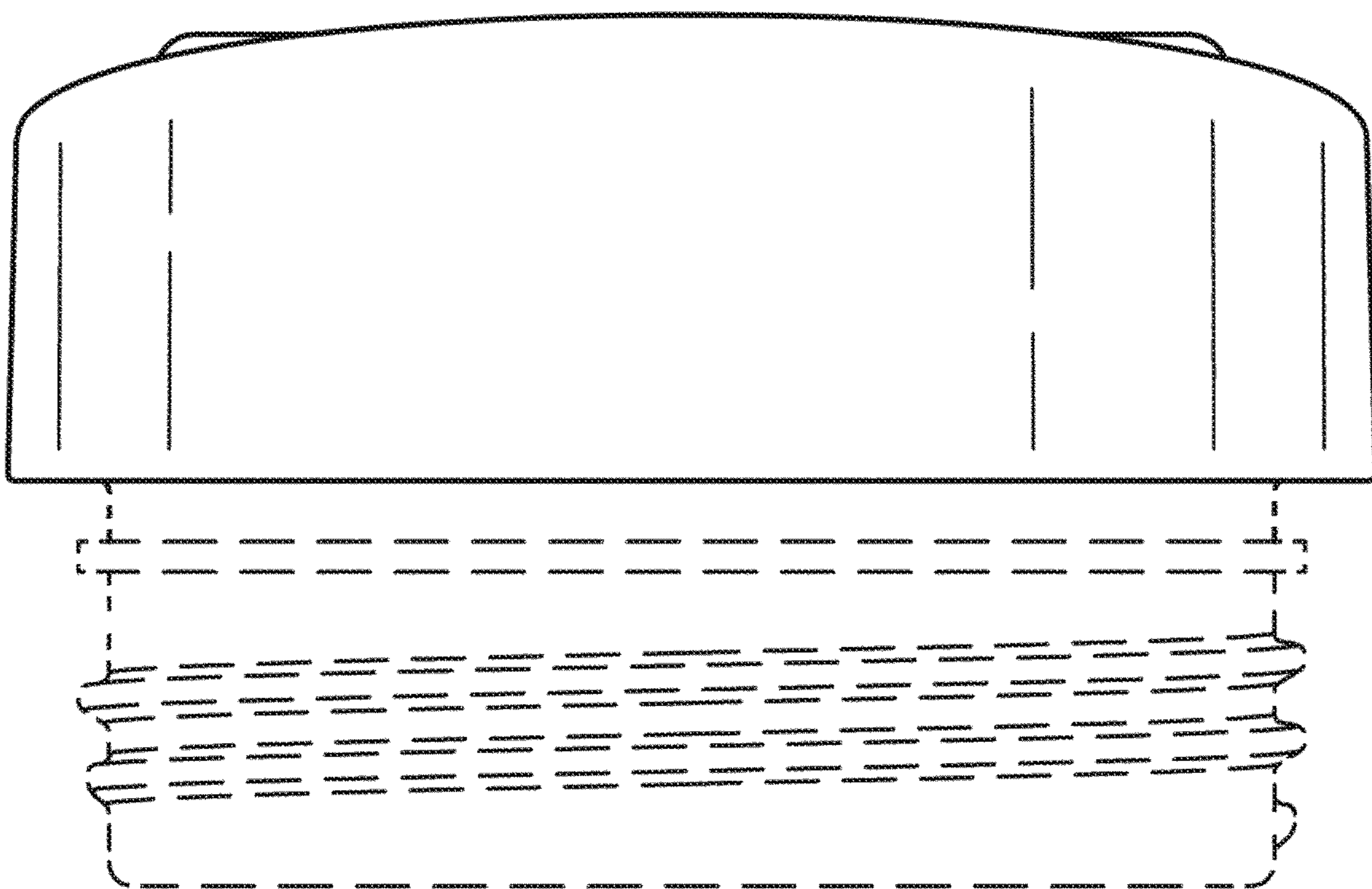
1.2



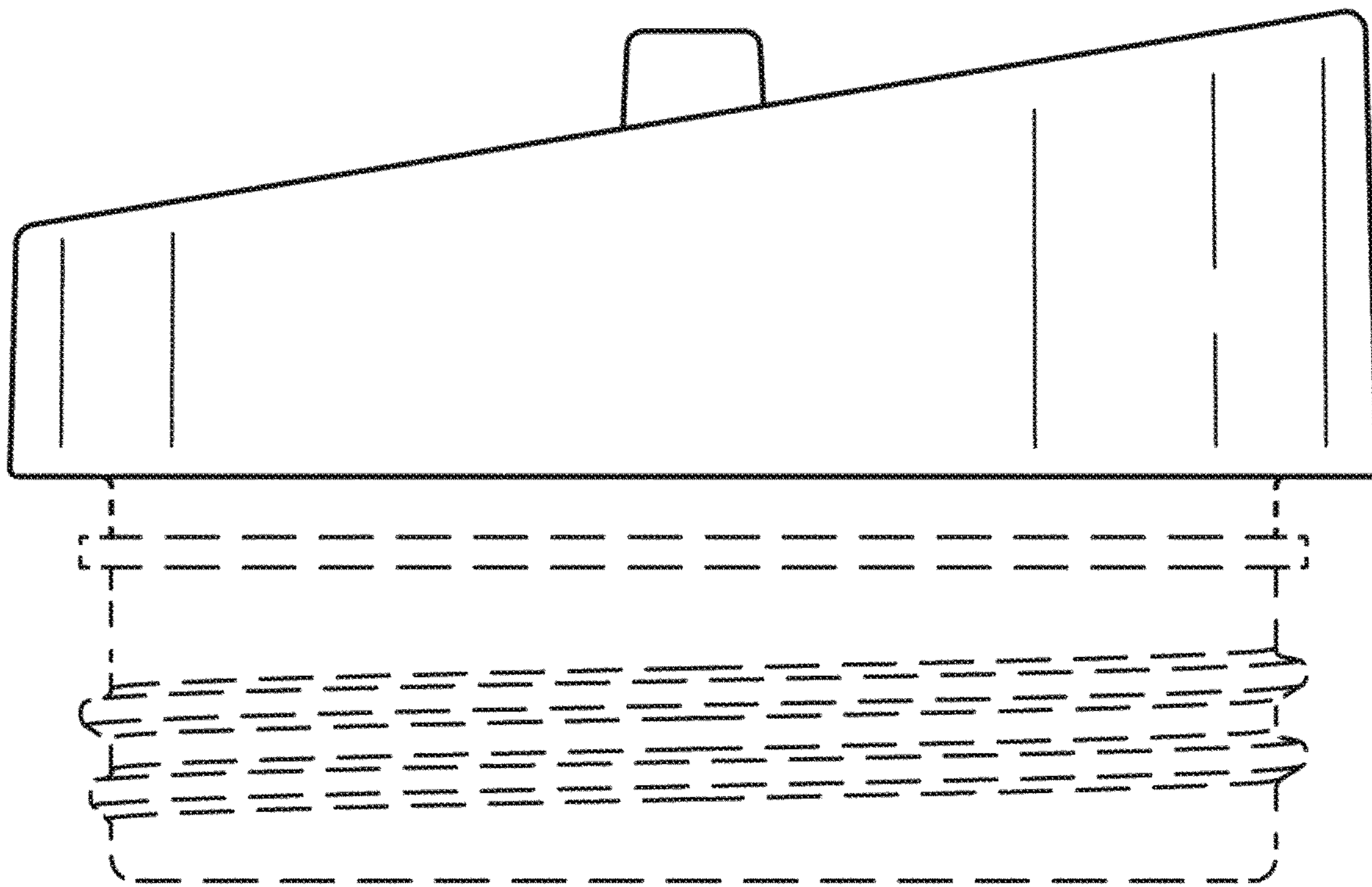
1.3



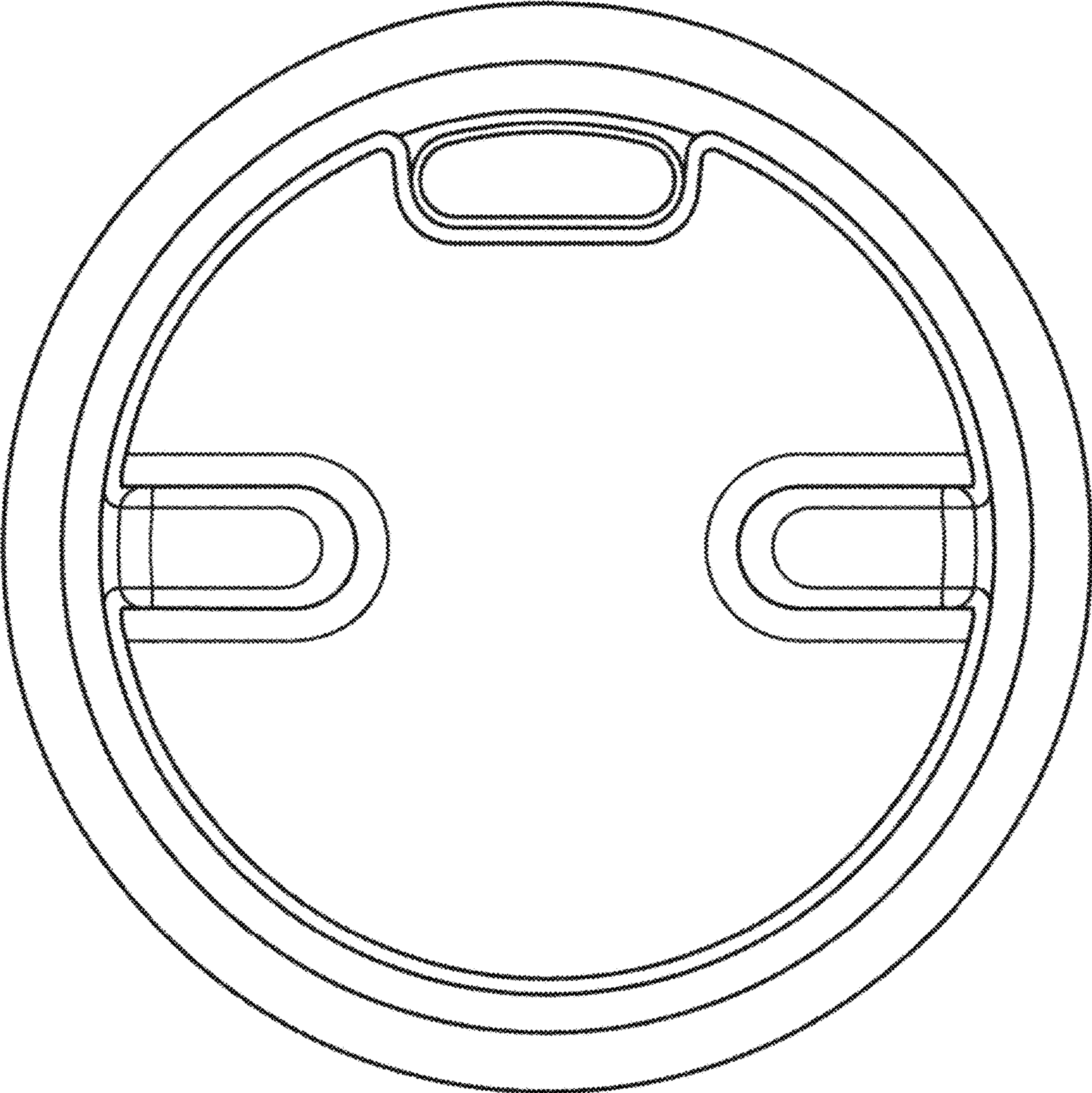
1.4



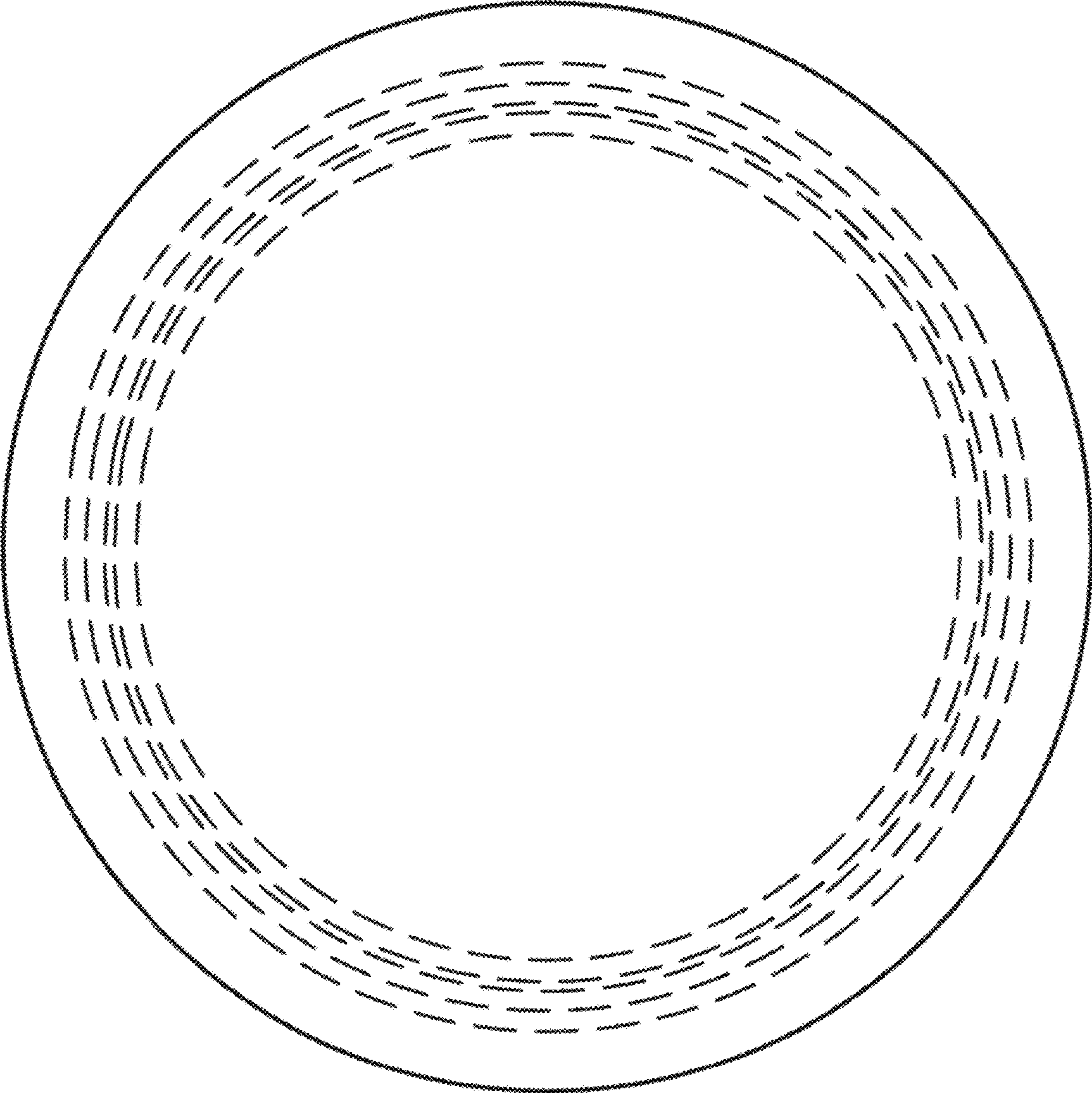
1.5



1.6



1.7





1.8

