



US00D883025S

(12) **United States Design Patent**
Hollinger

(10) **Patent No.:** **US D883,025 S**

(45) **Date of Patent:** **** May 5, 2020**

(54) **EGG PAN COVER**

(71) Applicant: **E. MISHAN & SONS, INC.**, New York, NY (US)

(72) Inventor: **Fred Hollinger**, Monroe Township, NJ (US)

(73) Assignee: **E. MISHAN & SONS, INC.**, New York, NY (US)

(**) Term: **15 Years**

(21) Appl. No.: **29/679,927**

(22) Filed: **Feb. 11, 2019**

(51) **LOC (12) Cl.** **07-02**

(52) **U.S. Cl.**
USPC **D7/391**; D7/354; D7/357

(58) **Field of Classification Search**
USPC D3/316; D7/323, 326, 354-361, 500, D7/501, 503, 549, 600, 611
CPC A01K 41/02; A01K 41/023; A01K 41/026; A01K 41/06; A21B 5/02; A21B 5/026; A21B 5/04; A23B 5/00; A23B 5/005; A23B 5/0052; A47J 27/00; A47J 27/004; A47J 29/00; A47J 29/02; A47J 29/04; A47J 29/06; A47J 36/025; A47J 36/06; A47J 36/12; A47J 37/00; A47J 37/108
See application file for complete search history.

(56) **References Cited**

U.S. PATENT DOCUMENTS

| | | | | | | |
|-----------|-----|---------|-------------|-------|-------------|---------|
| 49,841 | A * | 9/1865 | Young | | A47B 73/00 | 211/74 |
| 740,050 | A | 9/1908 | Shults | | | |
| 1,350,651 | A * | 8/1920 | Cronin | | A47J 37/108 | 249/119 |
| 1,410,818 | A | 3/1922 | McCargar | | | |
| 1,433,824 | A * | 10/1922 | Jensen | | A47J 29/00 | 99/440 |
| D158,214 | S * | 4/1950 | O'Callaghan | | D7/326 | |
| D170,917 | S * | 11/1953 | Gruen | | D7/501 | |

| | | | | | | |
|-----------|-----|---------|----------------|-------|--------|--|
| D208,648 | S * | 9/1967 | Warner | | D7/611 | |
| D216,145 | S * | 11/1969 | Swett | | D7/600 | |
| D227,431 | S | 7/1973 | Di Lorenzo | | | |
| D232,295 | S * | 8/1974 | Vujnovic | | D7/600 | |
| D352,424 | S * | 11/1994 | Asner | | D7/600 | |
| D353,083 | S * | 12/1994 | Simon | | D3/316 | |
| D400,402 | S * | 11/1998 | Petkovich, Jr. | | D7/549 | |
| 6,508,166 | B1 | 1/2003 | Hennessey | | | |

(Continued)

FOREIGN PATENT DOCUMENTS

| | | |
|----|----------------|---------|
| CN | 201130360128.6 | 10/2011 |
| EM | 000223656-0058 | 6/2004 |

(Continued)

OTHER PUBLICATIONS

https://www.amazon.com/Nadalan-Omelette-Burger-Pancake-3-Mold/dp/B0779XMDZD/ref=sr_1_2_ssapa?ie=UTF8&qid=1539722735&sr=8-2-spons&keywords=nadalan+omelette++burger+pancake&pssc=1, Date first listed on Amazon: Nov. 10, 2017.

(Continued)

Primary Examiner — Ricky Pham
(74) *Attorney, Agent, or Firm* — Notaro, Michalos & Zaccaria P.C.

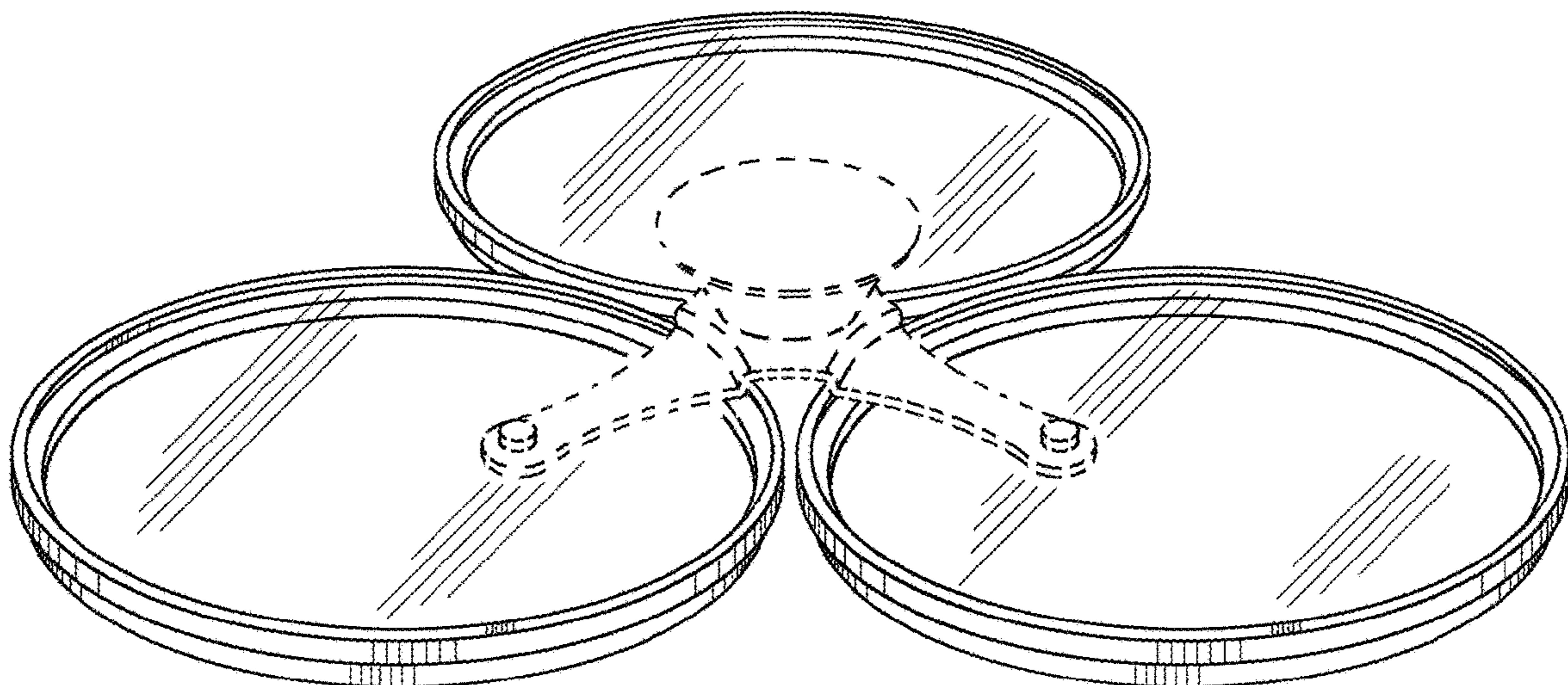
(57) **CLAIM**

The ornamental design for an egg pan cover, as shown and described.

DESCRIPTION

FIG. 1 is a front, top perspective view of an egg pan cover showing my design therefor;
FIG. 2 is a top plan view thereof;
FIG. 3 is a front elevational view thereof;
FIG. 4 is a side elevational view thereof; and,
FIG. 5 is a bottom plan view thereof.
Throughout the drawings, broken lines indicate environment and form no part of the design.

1 Claim, 4 Drawing Sheets



(56)

References Cited

U.S. PATENT DOCUMENTS

6,619,192 B2 9/2003 Lee
D845,061 S * 4/2019 Hollinger D7/361
D859,909 S * 9/2019 Murad A47B 73/00
D7/357
2003/0196561 A1 10/2003 Bart
2007/0039483 A1 2/2007 Kim

FOREIGN PATENT DOCUMENTS

EM 000223656-0066 9/2004
KR 20-2005-0025249 11/2005

OTHER PUBLICATIONS

https://www.amazon.com/Flamekiss-Ceramic-Nonstick-Innovative-Elegant/dp/B009MAXUII/ref=sr_1_1?ie=UTF8&qid=1539722841&sr=8-1&keywords=flamekiss+9.5&dpID=31Oy8hjReeL&preST=_SX300_QL70_&dpSrc=srch, Date first listed on Amazon: Oct. 8, 2012.

* cited by examiner

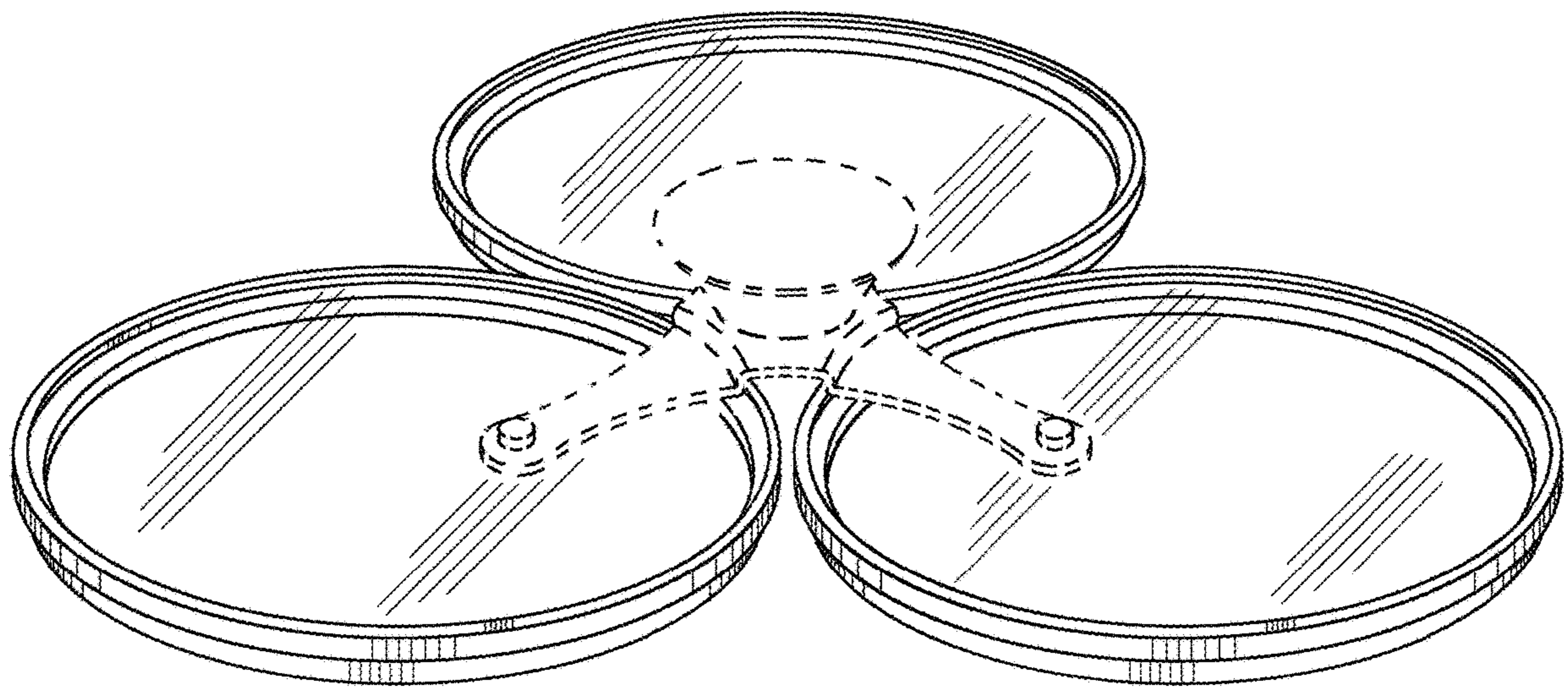


Fig. 1

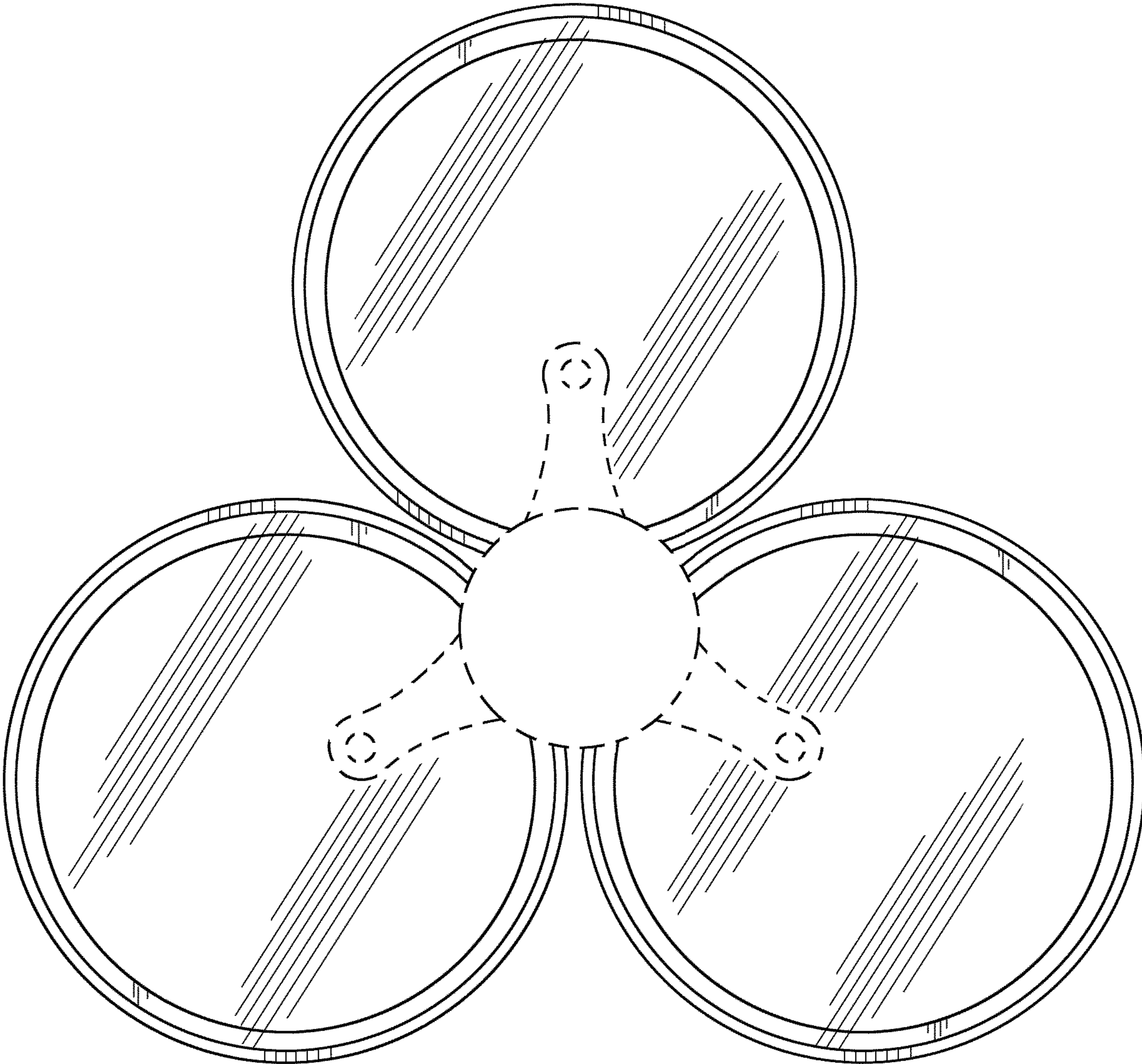


Fig. 2

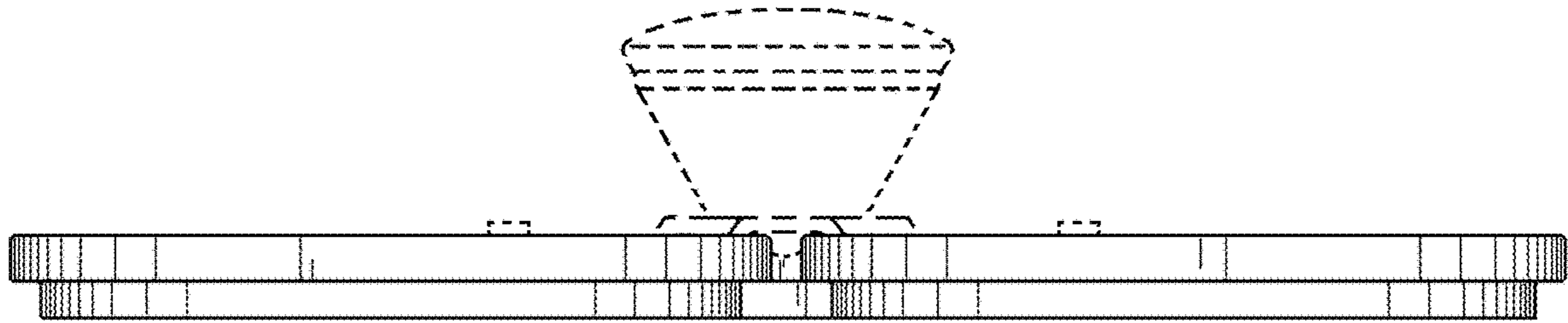


Fig. 3

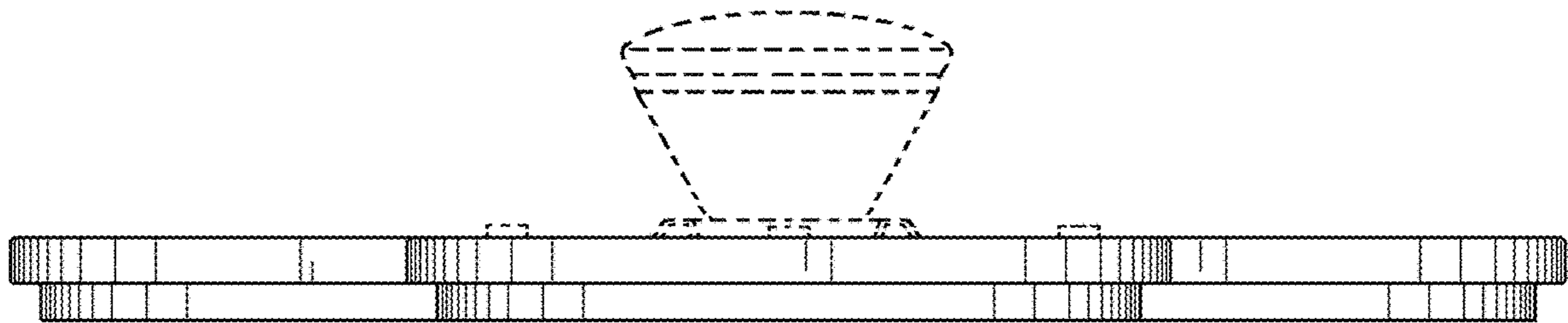


Fig. 4

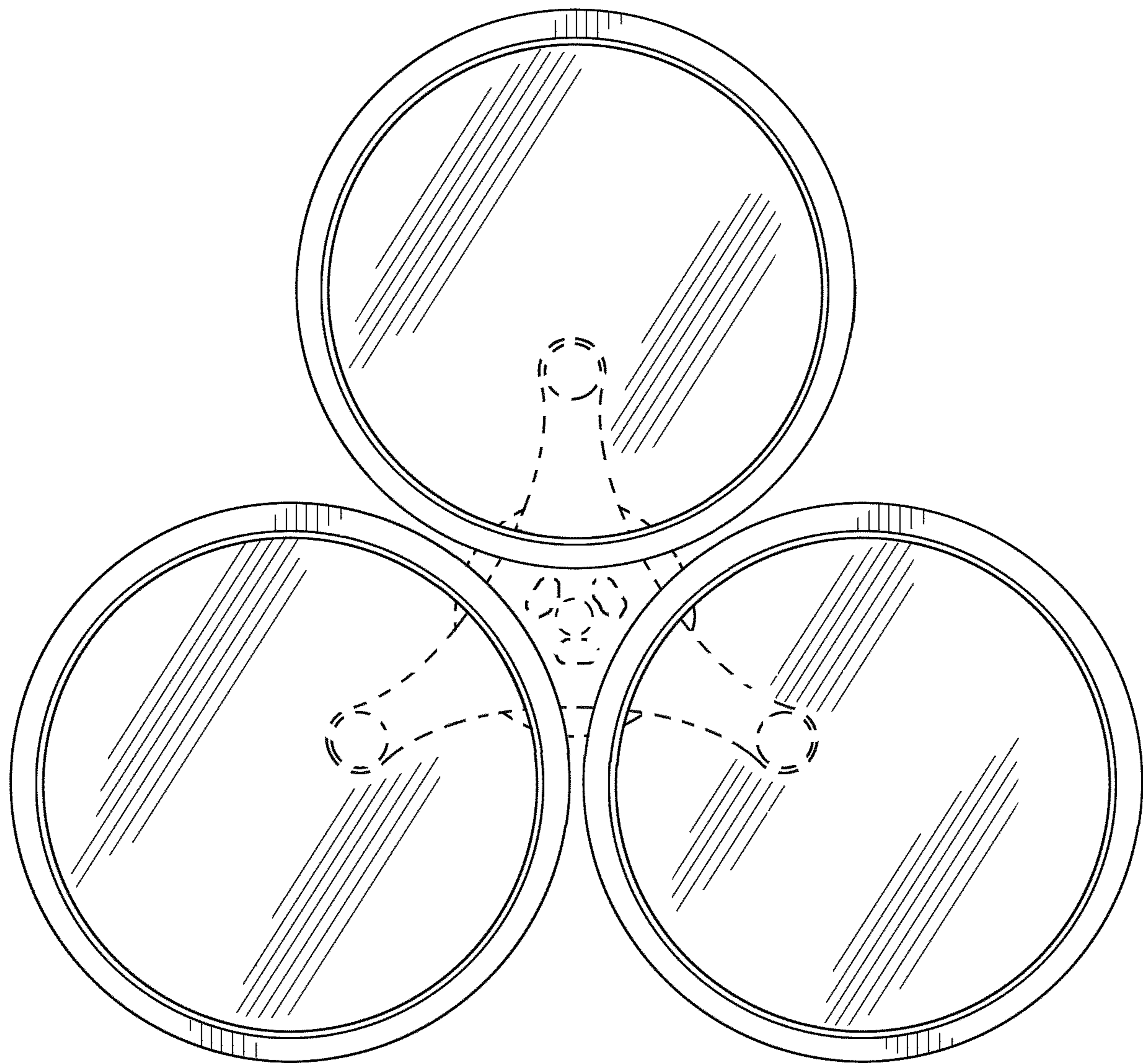


Fig.5