



US00D883024S

(12) **United States Design Patent**
Hollinger

(10) **Patent No.:** **US D883,024 S**

(45) **Date of Patent:** **** May 5, 2020**

(54) **EGG PAN COVER**

(71) Applicant: **E. MISHAN & SONS, INC.**, New York, NY (US)

(72) Inventor: **Fred Hollinger**, Monroe Township, NJ (US)

(73) Assignee: **E. MISHAN & SONS, INC.**, New York, NY (US)

(**) Term: **15 Years**

(21) Appl. No.: **29/679,879**

(22) Filed: **Feb. 11, 2019**

(51) **LOC (12) Cl.** **07-02**

(52) **U.S. Cl.**
USPC **D7/391**; D7/354; D7/357

(58) **Field of Classification Search**
USPC D3/316; D7/323, 326, 354–361, 500, D7/501, 503, 549, 600, 611
CPC A01K 41/02; A01K 41/023; A01K 41/026; A01K 41/06; A21B 5/02; A21B 5/026; A21B 5/04; A23B 5/00; A23B 5/005; A23B 5/0052; A47J 27/00; A47J 27/004; A47J 29/00; A47J 29/02; A47J 29/04; A47J 29/06; A47J 36/025; A47J 36/06; A47J 36/12; A47J 37/00; A47J 37/108
See application file for complete search history.

(56) **References Cited**

U.S. PATENT DOCUMENTS

- 49,841 A * 9/1865 Young A47B 73/00 211/74
- 740,050 A 9/1908 Shults
- 1,350,651 A * 8/1920 Hirst A47J 37/108 249/119
- 1,410,818 A 3/1922 McCargar
- 1,433,824 A * 10/1922 Jensen A47J 29/00 99/440
- D158,214 S * 4/1950 O'Callaghan D7/326

- D170,917 S * 11/1953 Gruen D7/501
- D208,648 S * 9/1967 Warner D7/611
- D216,145 S * 11/1969 Swett D7/600
- D227,431 S 7/1973 Di Lorenzo
- D232,295 S * 8/1974 Vujnovic D7/600
- D352,424 S * 11/1994 Asner D7/600
- D353,083 S * 12/1994 Simon D3/316
- D400,402 S * 11/1998 Petkovich, Jr. D7/549
- 6,508,166 B1 1/2003 Hennessey
- 6,619,192 B2 9/2003 Lee
- D845,061 S * 4/2019 Hollinger D7/361

(Continued)

FOREIGN PATENT DOCUMENTS

- CN 201130360128.6 10/2011
- EM 000223656-0058 6/2004

(Continued)

OTHER PUBLICATIONS

https://www.amazon.com/Nadalan-Omelette-Burger-Pancake-3-Mold/dp/B0779XMDZD/ref=sr_1_2_ssps?ie=UTF8&qid=1539722735&sr=8-2-spons&keywords=nadalan+omelette++burger+pancake&pssc=1, Date first known on Amazon: Nov. 10, 2017.

(Continued)

Primary Examiner — Ricky Pham
(74) *Attorney, Agent, or Firm* — Notaro, Michalos & Zaccaria P.C.

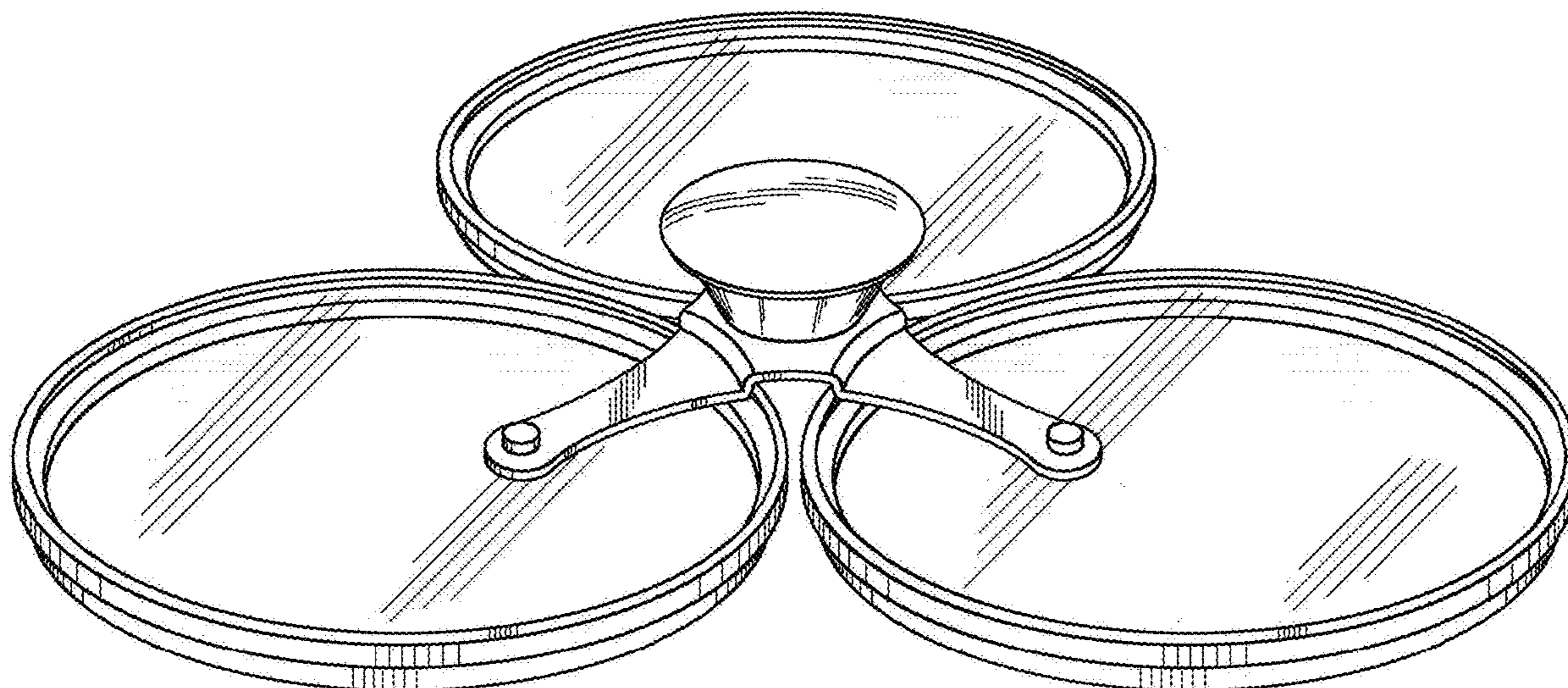
(57) **CLAIM**

The ornamental design for an egg pan cover, as shown and described.

DESCRIPTION

FIG. 1 is a front, top perspective view of an egg pan cover showing my design therefor;
FIG. 2 is a top plan view thereof;
FIG. 3 is a front elevational view thereof;
FIG. 4 is a side elevational view thereof; and,
FIG. 5 is a bottom plan view thereof.

1 Claim, 4 Drawing Sheets



(56)

References Cited

U.S. PATENT DOCUMENTS

D859,909 S * 9/2019 Murad D7/357
2003/0196561 A1 10/2003 Bart
2007/0039483 A1 2/2007 Kim

FOREIGN PATENT DOCUMENTS

EM 000223656-0066 9/2004
KR 20-2005-0025249 11/2005

OTHER PUBLICATIONS

https://www.amazon.com/Flamekiss-Ceramic-Nonstick-Innovative-Elegant/dp/B009MAXUII/ref=sr_1_1?ie=UTF8&qid=1539722841&sr=8-1&keywords=flamekiss+9.5&dpID=31Oy8hjReeL.&preST=_SX300_QL70_&dpSrc=srch, Date first known on Amazon: Oct. 8, 2012.

* cited by examiner

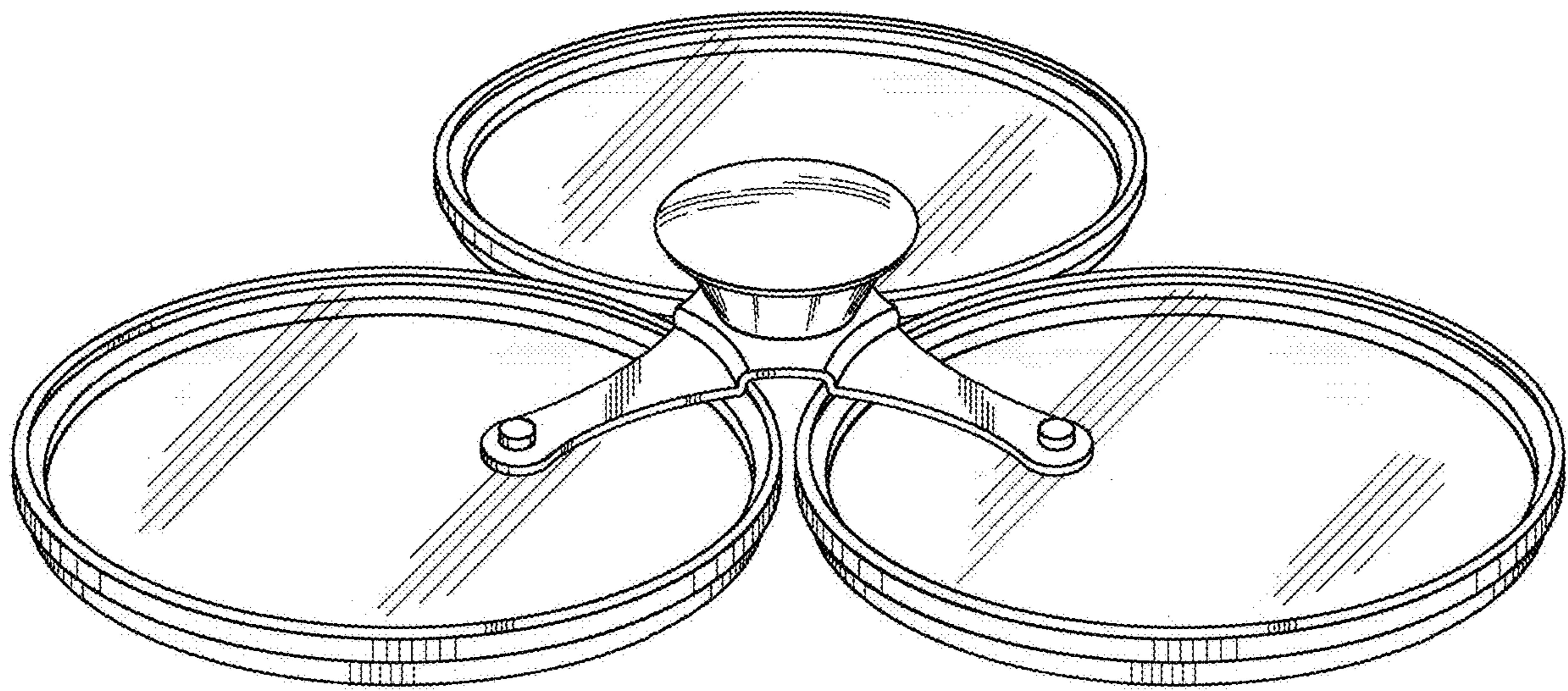


Fig. 1

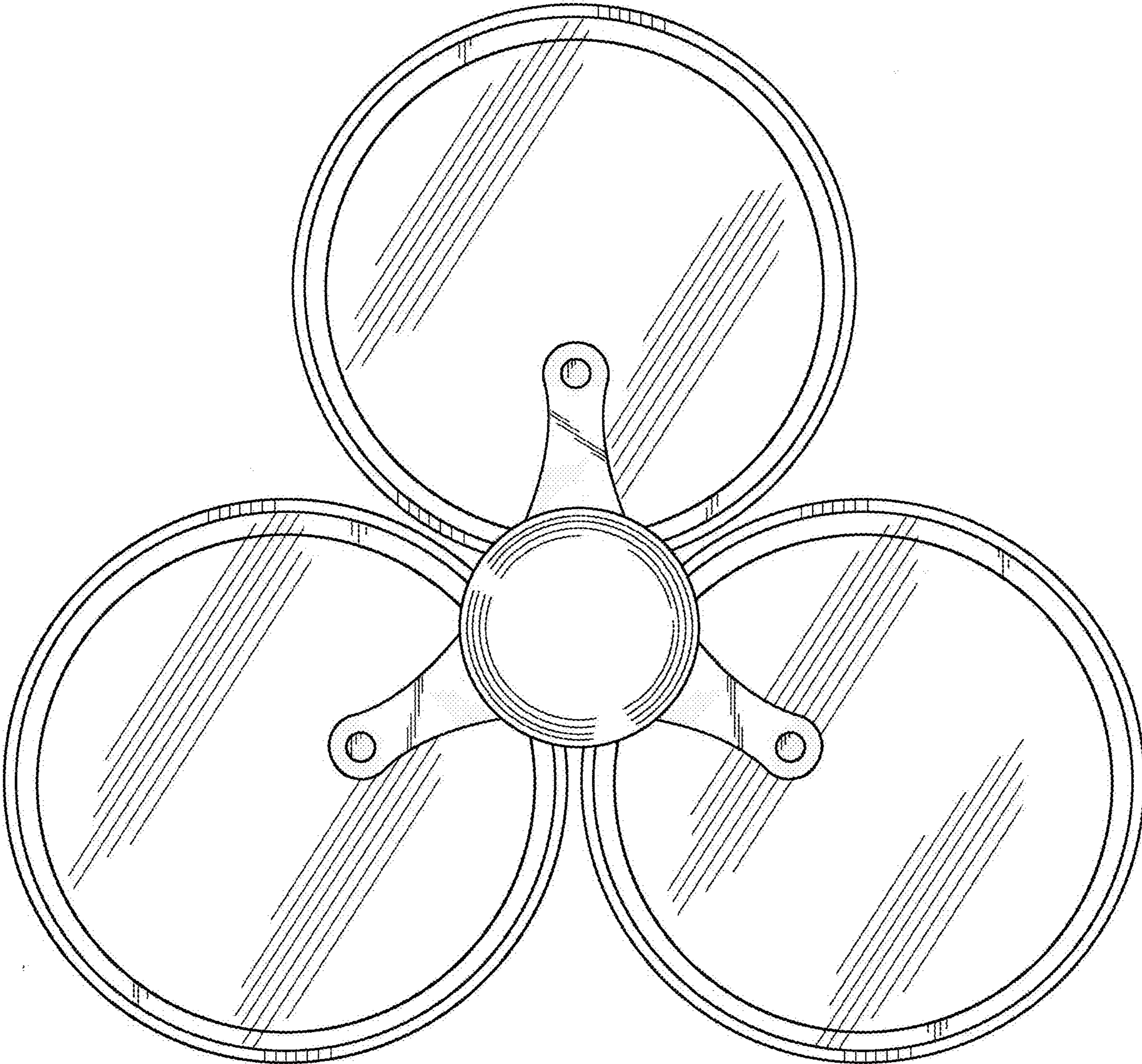


Fig. 2

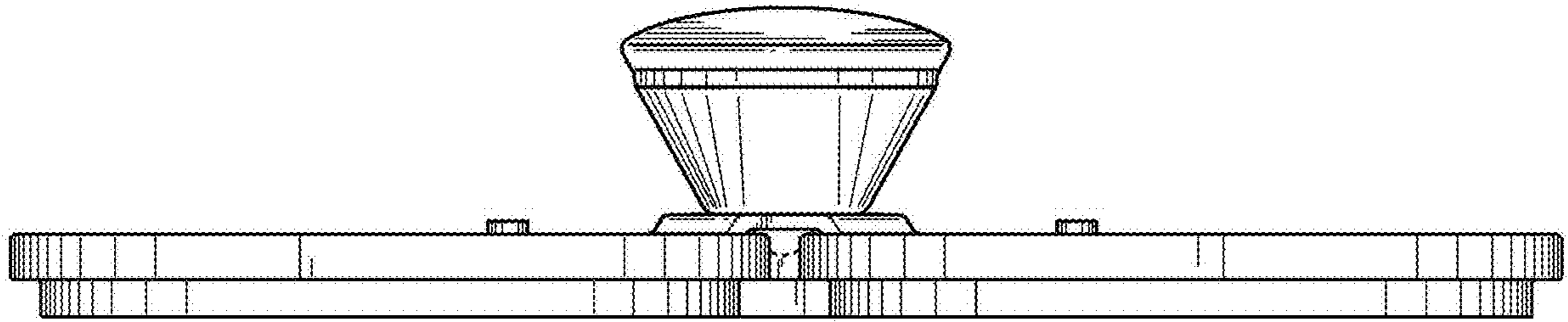


Fig. 3

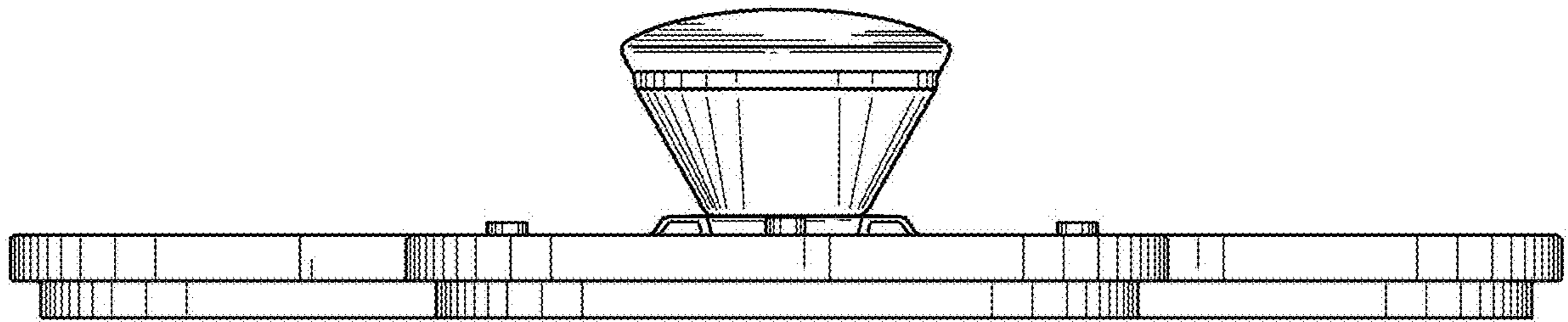


Fig. 4

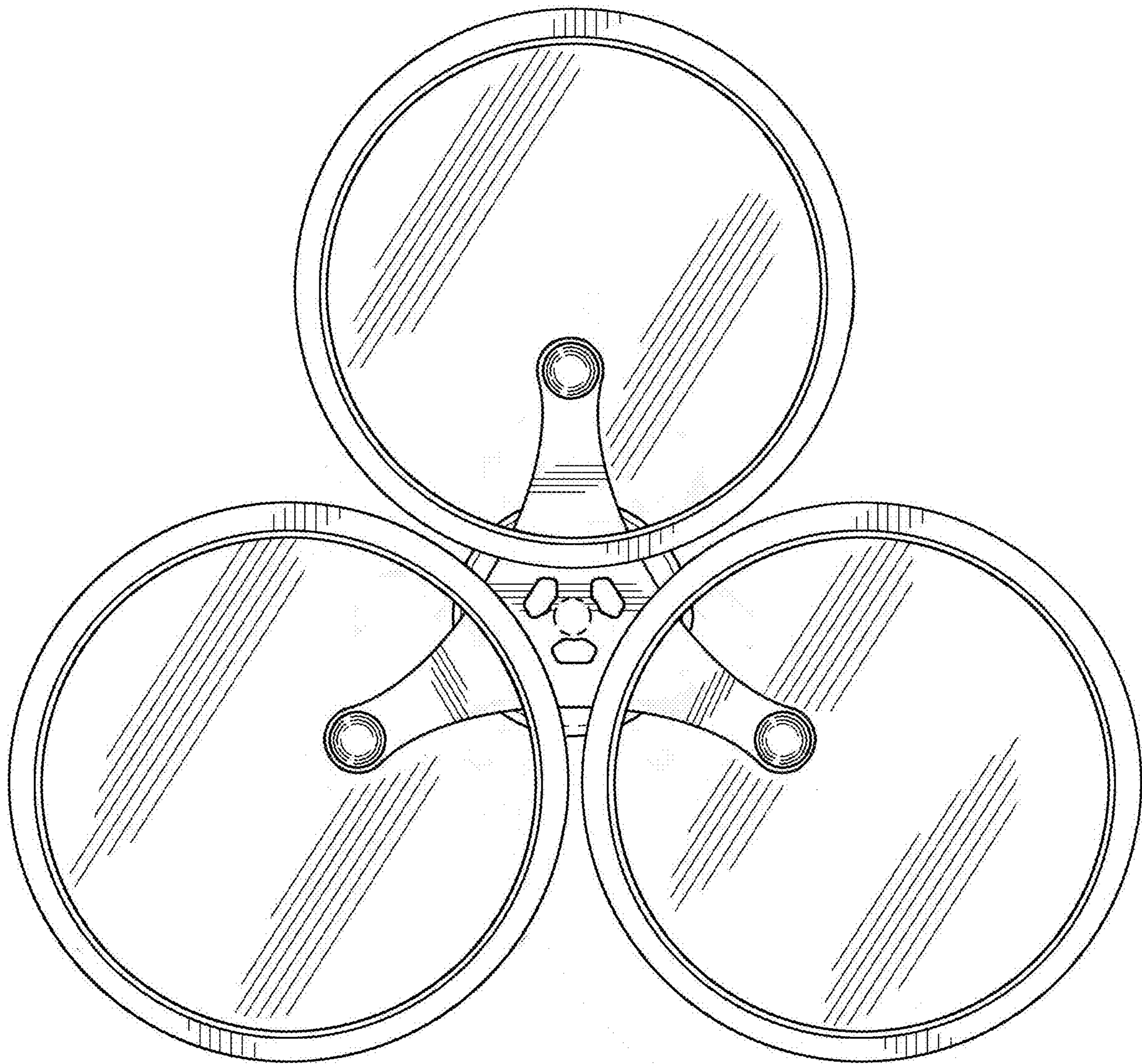


Fig.5