



US00D883020S

(12) **United States Design Patent** (10) **Patent No.:** **US D883,020 S**
Hollinger (45) **Date of Patent:** **** May 5, 2020**

(54) **SMOKELESS GRILL**
(71) Applicant: **E. MISHAN & SONS, INC.**, New York, NY (US)
(72) Inventor: **Fred Hollinger**, Monroe Township, NJ (US)
(73) Assignee: **E. MISHAN & SONS, INC.**, New York, NY (US)

5,524,528 A 6/1996 Yeh
D377,134 S 1/1997 Des Touche
D380,342 S 7/1997 Edmonds
5,884,555 A 3/1999 Chang
D415,927 S 11/1999 Weber
RE36,464 E 12/1999 O'Brien et al.
6,024,014 A 2/2000 Kasai
D424,367 S * 5/2000 Choi D7/363
D429,946 S 8/2000 Lee
D431,152 S 9/2000 Lee
D432,852 S 10/2000 Mosher, II et al.
6,131,505 A * 10/2000 Lin A47J 37/041
403/386

(**) Term: **15 Years**

(Continued)

(21) Appl. No.: **29/679,016**

FOREIGN PATENT DOCUMENTS

(22) Filed: **Jan. 31, 2019**

WO 2015043976 A1 4/2015
WO 2015044164 A1 4/2015

(51) **LOC (12) Cl.** **07-02**

(52) **U.S. Cl.**
USPC **D7/362**; D7/352; D7/409

(58) **Field of Classification Search**
USPC D7/323, 328-330, 337, 347, 352-364,
D7/367, 402, 409-411; D23/388
CPC . A21B 5/023; A47J 27/60; A47J 27/62; A47J
37/041; A47J 37/04; A47J 37/06; A47J
37/067; A47J 37/0605; A47J 37/0611;
A47J 37/0623; A47J 37/0629; A47J
37/0676; A47J 2037/06; A47J 2037/0611;
F24C 15/10; F24C 15/102; H05B 6/02;
H05B 6/062

See application file for complete search history.

Primary Examiner — Ricky Pham

(74) *Attorney, Agent, or Firm* — Notaro, Michalos & Zaccaria P.C.

(57) **CLAIM**

The ornamental design for a smokeless grill, as shown and described.

DESCRIPTION

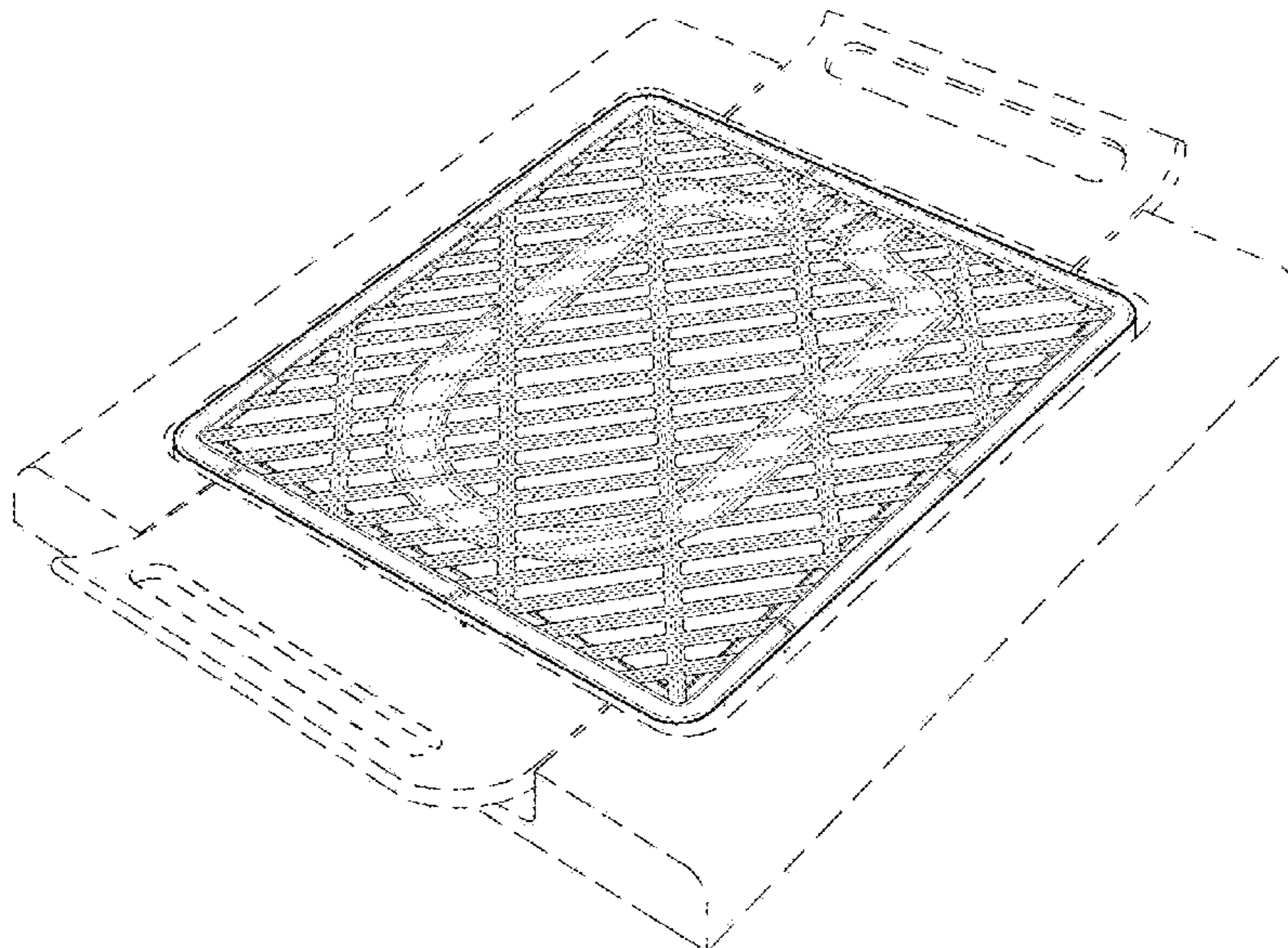
FIG. 1 is a front, left, top perspective view of a smokeless grill showing my design therefor;
FIG. 2 is a left side elevational view thereof;
FIG. 3 is a right side elevational view thereof;
FIG. 4 is a front elevational view thereof;
FIG. 5 is a rear elevational view thereof;
FIG. 6 is a top plan view thereof;
FIG. 7 is a bottom plan view thereof;
FIG. 8 is a sectional view taken along line 8-8 of FIG. 6; and,
FIG. 9 is a sectional view taken along line 9-9 of FIG. 6.
Throughout the drawings, broken lines indicate environment and form no part of the design.

(56) **References Cited**

U.S. PATENT DOCUMENTS

D196,285 S 9/1963 Farber et al.
D204,779 S 5/1966 Painter
5,105,725 A 4/1992 Haglund
D326,030 S 5/1992 Silver
5,237,914 A 8/1993 Carstensen
D351,083 S 10/1994 O'Brien
5,355,779 A 10/1994 O'Brien et al.
D369,059 S 4/1996 Carnovali

1 Claim, 6 Drawing Sheets



(56)

References Cited

U.S. PATENT DOCUMENTS

D437,183 S	2/2001	Wong	
D441,250 S	5/2001	Choi	
D444,667 S	7/2001	Wong	
6,262,399 B1	7/2001	Lau	
D452,630 S	1/2002	Choi	
D457,393 S	5/2002	Lewis	
D463,202 S	9/2002	Smith	
D473,419 S	4/2003	Garman	
D484,737 S	1/2004	Bodum	
D497,769 S	11/2004	Steinberg	
D505,044 S	5/2005	Hei	
6,930,288 B1	8/2005	Lin	
7,475,630 B2	1/2009	Steinberg et al.	
D588,399 S	3/2009	Vrbaneck	
D611,762 S	3/2010	Lu	
D618,047 S	6/2010	Seymour	
7,810,484 B2	10/2010	Schlosser et al.	
7,810,487 B2	10/2010	Johnston	
D644,059 S	8/2011	Bodum	
8,037,879 B2	10/2011	Murrin et al.	
D655,804 S	1/2012	Lupkes	
D660,640 S	5/2012	De'Longhi	
D676,272 S	2/2013	Liu	
D685,605 S *	7/2013	Xin	D7/352
D697,752 S	1/2014	De'Longhi et al.	
D702,500 S	4/2014	Ishii et al.	
D706,577 S	6/2014	Funnell, II et al.	
D711,186 S *	8/2014	De'Longhi	D7/352
D726,494 S	4/2015	Mazoyer	
D730,108 S	5/2015	Louloudakis et al.	
D730,109 S	5/2015	Louloudakis et al.	
D730,110 S	5/2015	Louloudakis et al.	
D732,336 S	6/2015	Mazoyer	
D734,987 S *	7/2015	Coats	D7/359
D736,029 S	8/2015	Huber et al.	
D738,684 S *	9/2015	Funnell, II	D7/354
D757,493 S	5/2016	Lee	
D758,785 S	6/2016	Verbrugge	
D760,018 S *	6/2016	Koszylko	D7/352
D774,367 S	12/2016	Neal	
D784,512 S *	4/2017	Jonas	D23/388
D793,161 S	8/2017	Fullmer	
9,814,352 B2	11/2017	Ahmed	
D804,898 S	12/2017	Hollinger	
D804,899 S	12/2017	Hollinger	
D806,471 S	1/2018	Fullmer	
D811,797 S	3/2018	Mansueto	
D812,425 S	3/2018	Reischmann et al.	
D813,601 S	3/2018	Hollinger	
D815,491 S	4/2018	Hollinger	
D820,042 S	6/2018	Hollinger	
D824,205 S *	7/2018	Mirchandani	D7/359
D846,330 S *	4/2019	Hong	D7/337
D858,175 S *	9/2019	Sebastian Azpiazu	D7/359
D859,061 S *	9/2019	Hollinger	D7/362
D859,062 S *	9/2019	Berge	D7/363
2003/0022052 A1	1/2003	Kearl	
2005/0138906 A1	6/2005	Kubokawa et al.	
2008/0087269 A1	4/2008	Kang	
2016/0227964 A1	8/2016	Van Zutphen et al.	

* cited by examiner

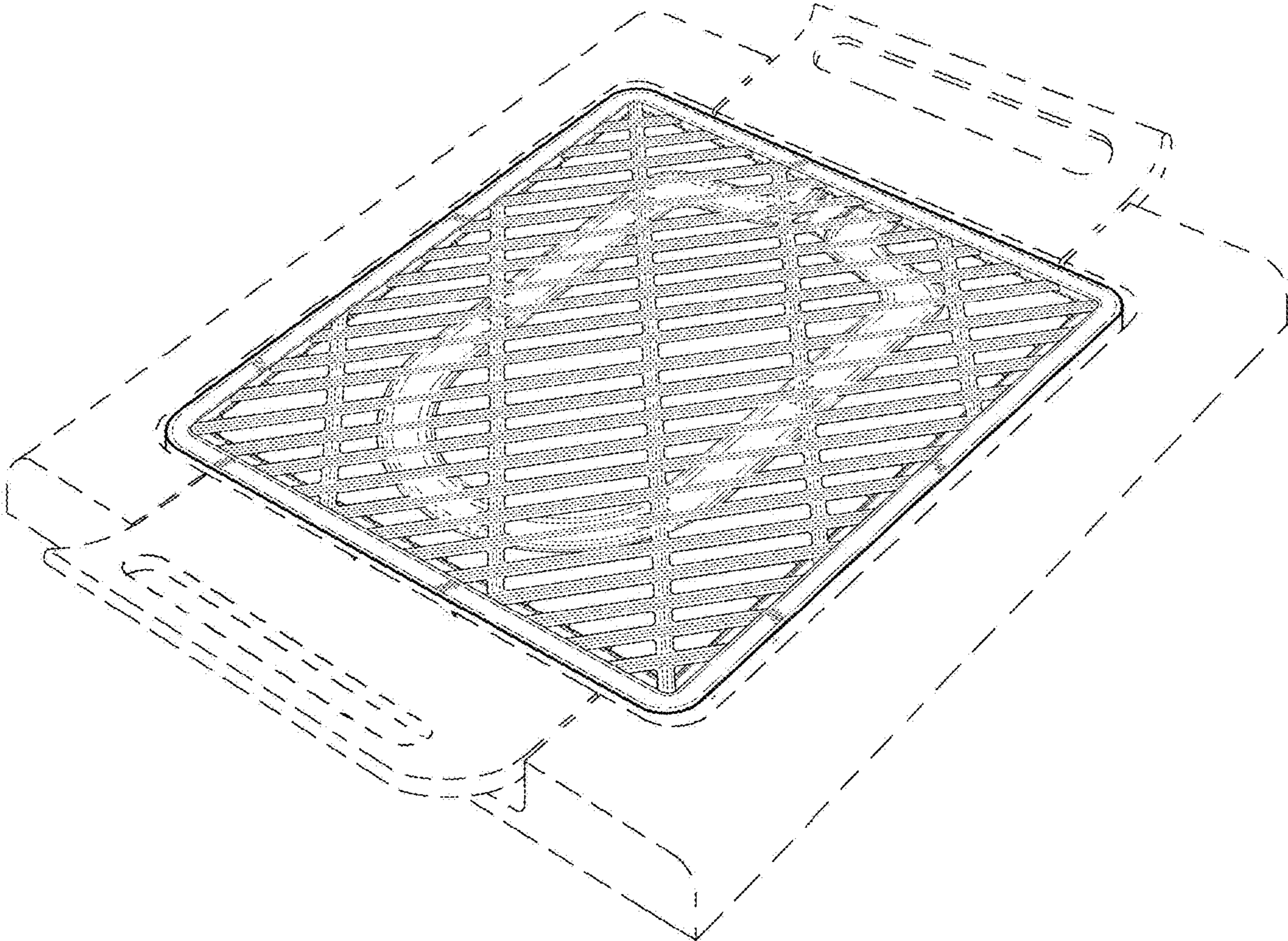


Fig. 1

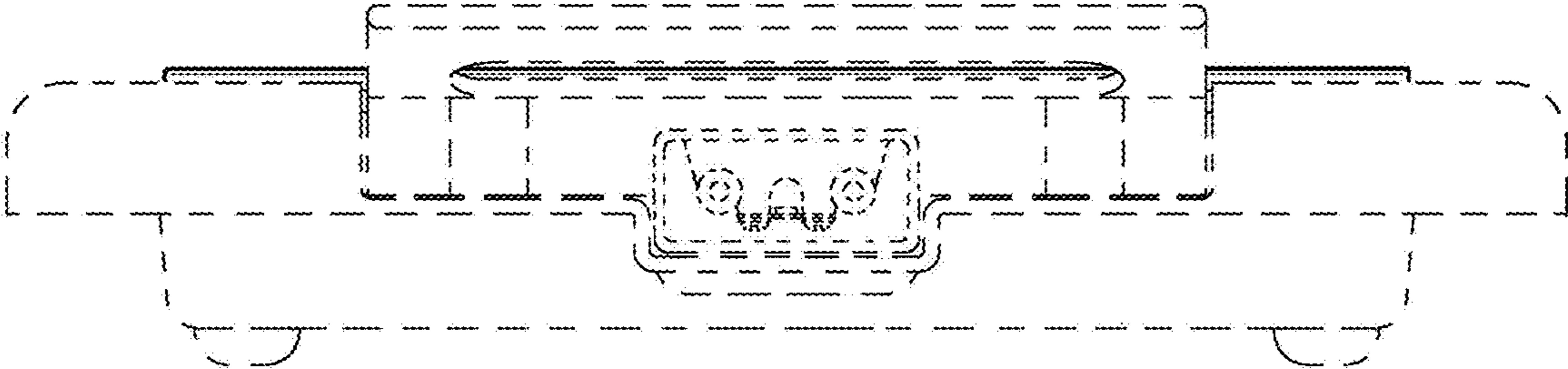


Fig. 2

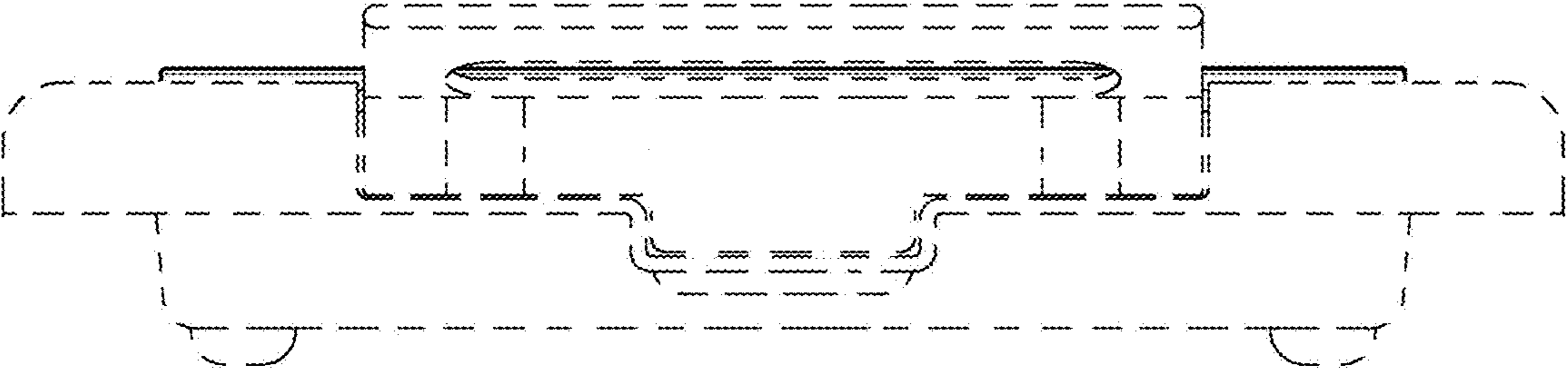


Fig. 3

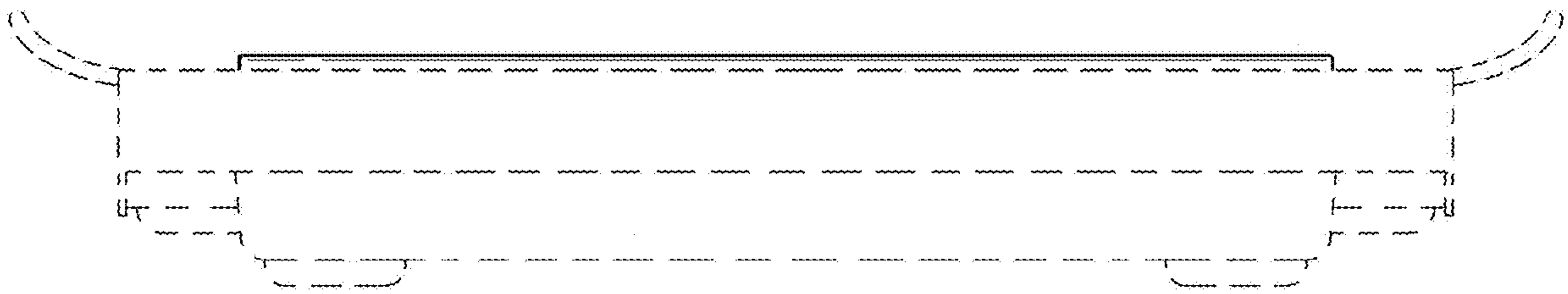


Fig. 4

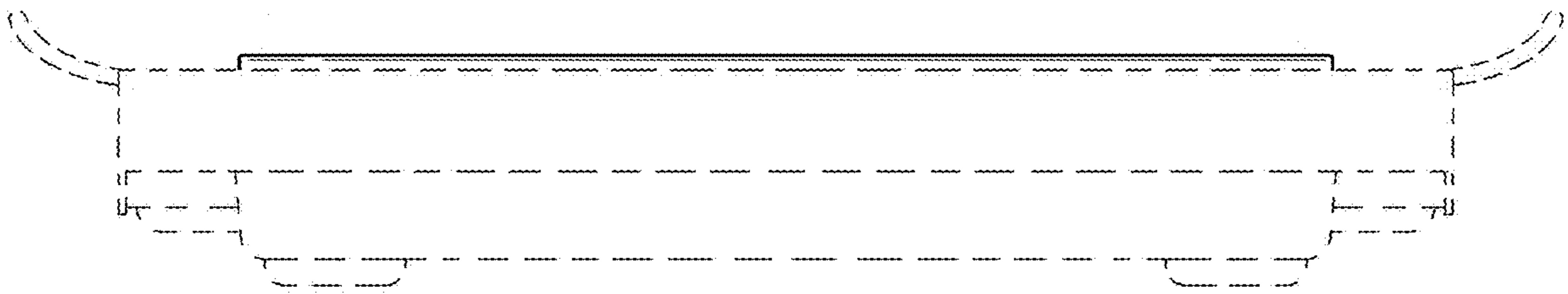


Fig. 5

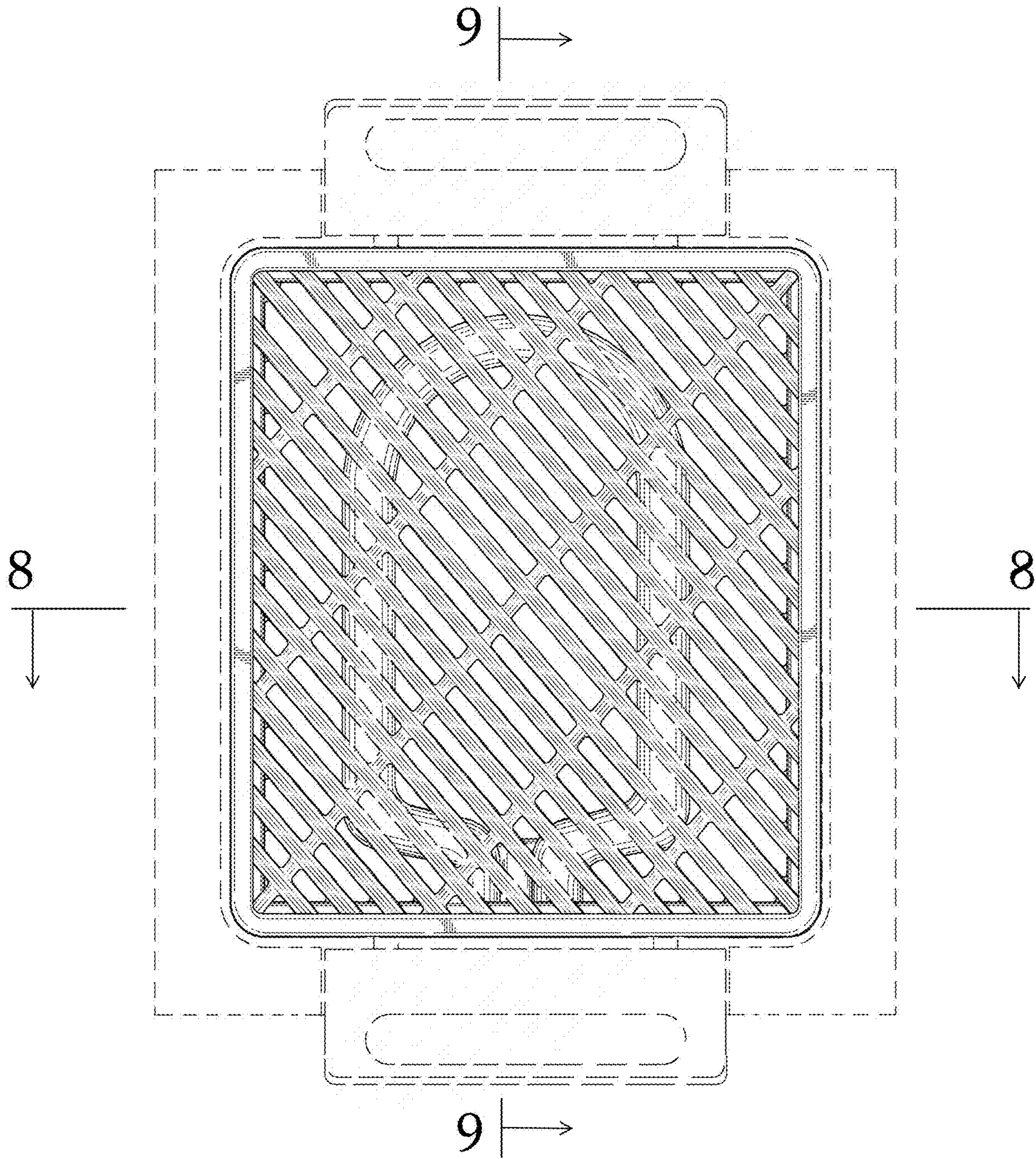


Fig. 6

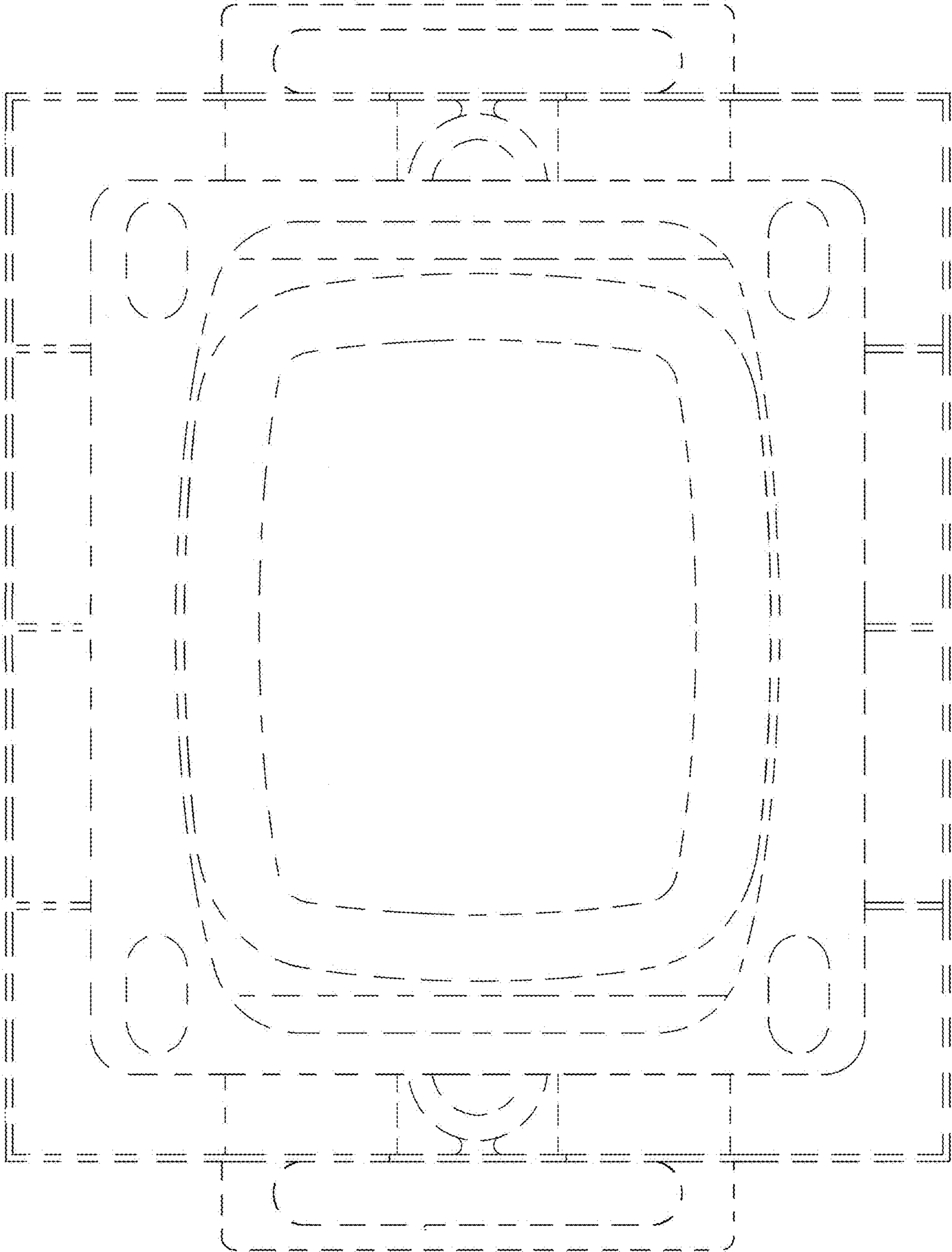


Fig. 7

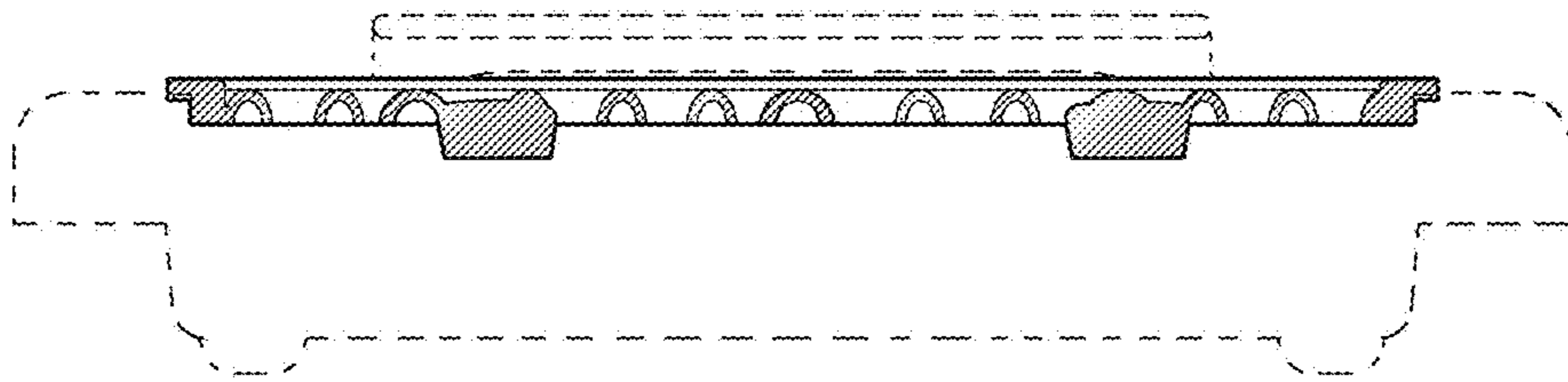


Fig. 8

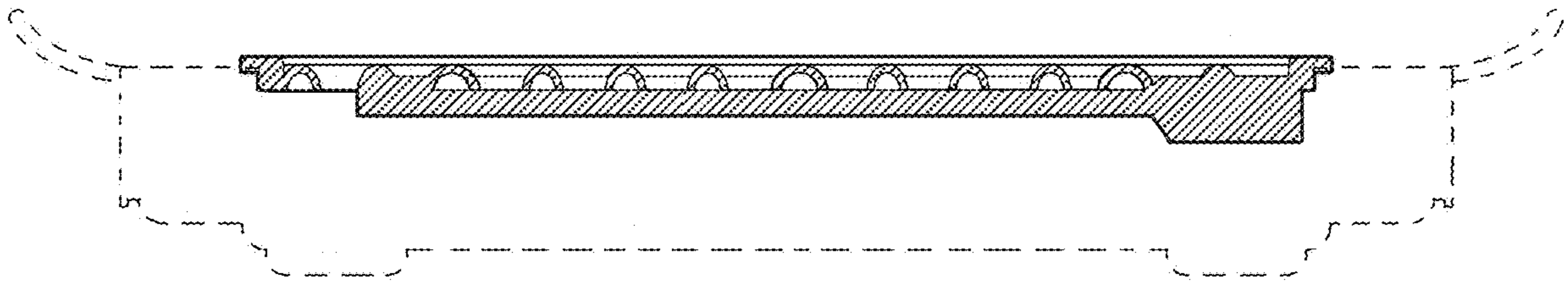


Fig. 9