



US00D883015S

(12) **United States Design Patent** (10) **Patent No.:** **US D883,015 S**
Deng et al. (45) **Date of Patent:** **** May 5, 2020**

(54) **FOOD PREPARATION DEVICE AND PARTS THEREOF**

FOREIGN PATENT DOCUMENTS

(71) Applicant: **SharkNinja Operating LLC**,
Needham, MA (US)

CN 2253170 Y 4/1997
CN 1218653 A 6/1999
(Continued)

(72) Inventors: **Da Deng**, Newton, MA (US); **Dan Kestenbaum**, Brookline, MA (US)

OTHER PUBLICATIONS

(73) Assignee: **SHARKNINJA OPERATING LLC**,
Needham, MA (US)

Notification of Transmittal of the International Search Report of the International Searching Authority, or the Declaration. PCT/US2018/046077, dated Dec. 19, 2018, 7 pages.

(**) Term: **15 Years**

(Continued)

(21) Appl. No.: **29/659,577**

Primary Examiner — Ricky Pham

(22) Filed: **Aug. 9, 2018**

(74) *Attorney, Agent, or Firm* — Cantor Colburn LLP

(51) **LOC (12) Cl.** **07-02**

(52) **U.S. Cl.**

USPC **D7/354; D7/358**

(58) **Field of Classification Search**

USPC D7/323, 354–361, 391, 368, 393, 402;
D21/525

CPC A47J 27/00; A47J 27/004; A47J 27/04;
A47J 27/08; A47J 27/0802; A47J
27/0804; A47J 27/0811; A47J 27/0813;
A47J 27/0815; A47J 27/0817; A47J
27/084; A47J 27/09; A47J 27/092; A47J
36/025; A47J 36/06; A47J 37/0641; A47J
37/12; A47J 37/1204; A47J 37/1209;
A47J 45/07; A47J 45/071; A47J 45/074;
A47J 45/08; B01D 2201/345; B01J 3/03;
B01J 3/04; F01P 2011/0247; F01P
2011/0252; H05B 6/00; H05B 6/02;
H05B 6/06

See application file for complete search history.

(56) **References Cited**

U.S. PATENT DOCUMENTS

1,986,088 A 1/1935 Wild
2,055,972 A 9/1936 Fritsche
2,188,757 A 1/1940 Moon
2,253,833 A 8/1941 Volks

(Continued)

(57) **CLAIM**

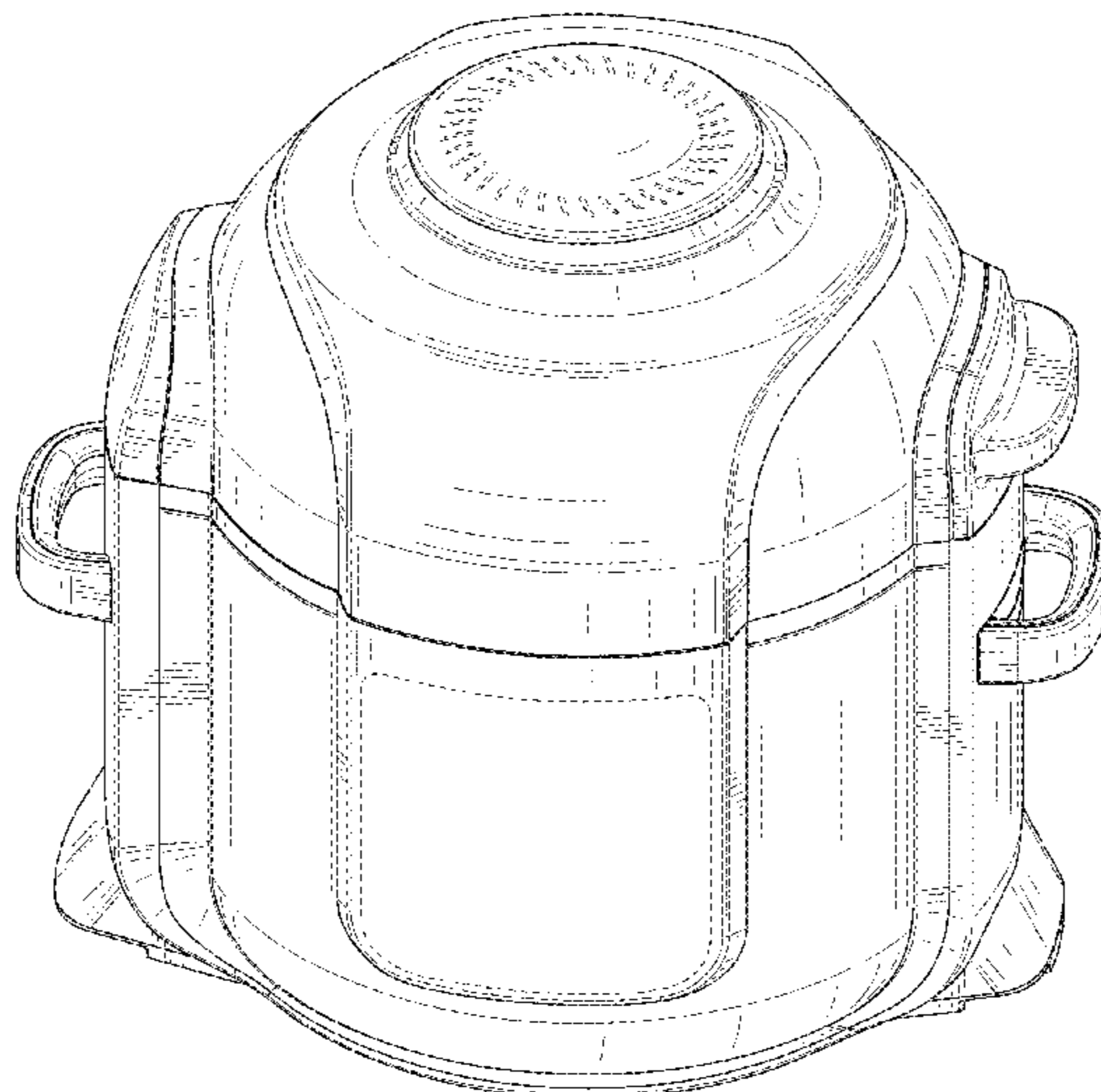
The ornamental design for an food preparation device and parts thereof, as shown and described.

DESCRIPTION

FIG. 1 is a perspective view of a food preparation device, showing our new design;
FIG. 2 is a front view of the embodiment shown in FIG. 1;
FIG. 3 is a rear view of the embodiment shown in FIG. 1;
FIG. 4 is a side view of the embodiment shown in FIG. 1;
FIG. 5 is another side view of the embodiment shown in FIG. 1;
FIG. 6 is a top view of the embodiment shown in FIG. 1;
and,
FIG. 7 is a bottom view of the embodiment shown in FIG. 1.

The broken lines in the figures are for environmental purposes only and form no part of the claimed design.

1 Claim, 7 Drawing Sheets



(56)

References Cited

U.S. PATENT DOCUMENTS

| | | | | | |
|--------------|---------|--------------------|--------------|---------|-----------------------|
| 2,313,968 A | 3/1943 | Reich | 6,178,876 B1 | 1/2001 | Kao |
| 2,378,950 A | 6/1945 | Reich | 6,191,393 B1 | 2/2001 | Park |
| 3,076,405 A | 2/1963 | Lang | 6,201,217 B1 | 3/2001 | Moon et al. |
| 3,122,134 A | 2/1964 | Reeves | 6,242,025 B1 | 6/2001 | Lesky et al. |
| 3,514,301 A | 5/1970 | Berger | 6,252,206 B1 | 6/2001 | Leukhardt, III et al. |
| 3,529,582 A | 9/1970 | Hurko et al. | 6,255,630 B1 | 7/2001 | Barnes et al. |
| 3,610,885 A | 10/1971 | Zingg | 6,257,124 B1 | 7/2001 | Chen |
| 3,821,454 A | 6/1974 | Lobel | 6,262,396 B1 | 7/2001 | Witt et al. |
| 3,828,760 A | 8/1974 | Farber et al. | 6,267,046 B1 | 7/2001 | Wanat |
| 4,106,486 A | 8/1978 | Lee | 6,268,592 B1 | 7/2001 | Hu et al. |
| 4,148,250 A | 4/1979 | Miki et al. | 6,269,737 B1 | 8/2001 | Rigney et al. |
| 4,162,741 A | 7/1979 | Walker et al. | 6,271,504 B1 | 8/2001 | Barritt |
| 4,210,072 A | 7/1980 | Pedrini | 6,283,014 B1 | 9/2001 | Ng et al. |
| 4,241,288 A | 12/1980 | Aoshima et al. | 6,283,015 B1 | 9/2001 | Kwon et al. |
| 4,268,741 A | 5/1981 | O'Brien | 6,320,166 B1 | 11/2001 | Park |
| 4,374,318 A | 2/1983 | Gilliom | 6,355,914 B1 | 3/2002 | Stockley |
| 4,484,063 A | 11/1984 | Whittenburg et al. | 6,384,381 B2 | 5/2002 | Witt et al. |
| 4,509,412 A | 4/1985 | Whittenburg et al. | D458,078 S | 6/2002 | Lin |
| 4,591,698 A | 5/1986 | Chang | 6,399,925 B1 | 6/2002 | Pickering et al. |
| 4,728,762 A | 3/1988 | Roth et al. | 6,414,254 B1 | 7/2002 | McNair |
| 4,771,162 A | 9/1988 | Schatz | 6,425,320 B1 | 7/2002 | Chameroy et al. |
| 4,848,217 A | 7/1989 | Koziol | 6,450,085 B1 | 9/2002 | Riesselman |
| 4,889,972 A | 12/1989 | Chang | 6,450,361 B1 | 9/2002 | Mendelson et al. |
| 5,000,085 A | 3/1991 | Archer | 6,455,085 B1 | 9/2002 | Duta |
| 5,012,071 A | 4/1991 | Henke | 6,467,645 B2 | 10/2002 | Park |
| 5,029,519 A | 7/1991 | Boyen | 6,486,453 B1 | 11/2002 | Bales et al. |
| 5,031,519 A | 7/1991 | Toida et al. | 6,494,337 B1 | 12/2002 | Moroni |
| 5,036,179 A | 7/1991 | Westerberg et al. | 6,509,550 B1 | 1/2003 | Li |
| 5,048,400 A | 9/1991 | Ueda et al. | 6,513,420 B1 | 2/2003 | Park |
| 5,092,229 A | 3/1992 | Chen | 6,523,459 B1 | 2/2003 | Chameroy et al. |
| 5,105,725 A | 4/1992 | Haglund | 6,528,772 B1 | 3/2003 | Graves et al. |
| 5,205,274 A | 4/1993 | Smith et al. | 6,540,097 B1 | 4/2003 | Beck et al. |
| 5,251,542 A | 10/1993 | Itoh | 6,545,252 B2 | 4/2003 | Wang |
| 5,355,777 A | 10/1994 | Chen et al. | 6,552,309 B1 | 4/2003 | Kish et al. |
| 5,416,950 A | 5/1995 | Dornbush et al. | 6,559,427 B1 | 5/2003 | Barnes et al. |
| 5,445,061 A | 8/1995 | Barradas | 6,565,903 B2 | 5/2003 | Ng et al. |
| 5,485,780 A | 1/1996 | Koether et al. | 6,573,483 B1 | 6/2003 | DeCobert et al. |
| 5,513,558 A | 5/1996 | Erickson et al. | 6,604,453 B2 | 8/2003 | Niese |
| 5,526,734 A | 6/1996 | Harrison | 6,615,706 B1 | 9/2003 | Wu |
| 5,549,039 A | 8/1996 | Ito et al. | 6,615,708 B1 | 9/2003 | Lin |
| 5,567,458 A | 10/1996 | Wu | 6,631,824 B2 | 10/2003 | Park |
| 5,588,352 A | 12/1996 | Harrison | 6,669,047 B2 | 10/2003 | Wooderson et al. |
| 5,590,583 A | 1/1997 | Harrison | 6,648,162 B1 | 11/2003 | Wooderson et al. |
| 5,615,607 A | 4/1997 | Delaquis et al. | 6,617,554 B2 | 12/2003 | Moon et al. |
| 5,619,983 A | 4/1997 | Smith | 6,657,167 B2 | 12/2003 | Loveless |
| 5,632,403 A | 5/1997 | Deng | 6,695,319 B1 | 2/2004 | Anota et al. |
| D380,504 S * | 7/1997 | Yang D21/525 | D487,212 S | 3/2004 | Park |
| 5,649,476 A | 7/1997 | Montagnino et al. | 6,698,337 B1 | 3/2004 | Park |
| 5,676,044 A | 10/1997 | Lara, Jr. | 6,705,209 B2 | 3/2004 | Yang et al. |
| 5,699,722 A | 12/1997 | Erickson et al. | 6,723,963 B2 | 4/2004 | Ronda |
| 5,740,721 A | 4/1998 | Bizard et al. | 6,730,881 B1 | 5/2004 | Arntz et al. |
| 5,768,976 A | 6/1998 | Suk | 6,730,882 B2 | 5/2004 | Atkinson |
| 5,839,357 A | 11/1998 | Ha et al. | 6,730,889 B1 | 5/2004 | Jones-Lawlor |
| 5,896,808 A | 4/1999 | Graur | 6,736,131 B2 | 5/2004 | Yamamoto et al. |
| 5,932,130 A | 8/1999 | Taino | 6,740,855 B1 | 5/2004 | DeCobert et al. |
| 5,967,021 A | 10/1999 | Yung | 6,742,445 B2 | 6/2004 | Backus et al. |
| 6,006,939 A | 12/1999 | Wai | 6,747,250 B1 | 6/2004 | Cha |
| 6,014,986 A | 1/2000 | Baumgarten | 6,755,319 B2 | 6/2004 | Park |
| 6,019,029 A | 2/2000 | Chan | 6,758,132 B1 | 7/2004 | Kuo et al. |
| 6,023,050 A | 2/2000 | Violi | 6,777,651 B1 | 8/2004 | Boyer |
| 6,060,698 A | 5/2000 | Petrides et al. | 6,782,805 B2 | 8/2004 | Backus et al. |
| 6,066,837 A | 5/2000 | McCormick et al. | 6,782,806 B2 | 8/2004 | Backus et al. |
| 6,067,896 A | 5/2000 | Elorza | 6,802,429 B1 | 10/2004 | Wildman |
| 6,070,518 A | 6/2000 | Kao | 6,809,297 B2 | 10/2004 | Moon et al. |
| 6,082,249 A | 7/2000 | Su | 6,812,433 B1 | 11/2004 | Barritt |
| 6,083,543 A | 7/2000 | Kim et al. | 6,815,644 B1 | 11/2004 | Muegge et al. |
| 6,097,016 A | 8/2000 | Hirata et al. | 6,831,254 B2 | 12/2004 | Barritt |
| 6,104,004 A | 8/2000 | Ragland et al. | 6,837,150 B2 | 1/2005 | Backus et al. |
| 6,105,808 A | 8/2000 | Mendonca | 6,841,762 B2 | 1/2005 | Suzuki |
| 6,116,151 A | 9/2000 | Fickert et al. | 6,845,707 B1 | 1/2005 | Xu et al. |
| 6,125,737 A | 10/2000 | Chang | 6,851,351 B2 | 2/2005 | Payen et al. |
| 6,135,012 A | 10/2000 | Kao | 6,872,921 B1 | 3/2005 | DeCobert et al. |
| 6,135,013 A | 10/2000 | Barrena | 6,874,408 B2 | 4/2005 | Backus et al. |
| 6,158,606 A | 12/2000 | Oliver | 6,877,633 B2 | 4/2005 | Niese |
| 6,173,643 B1 | 1/2001 | Qian et al. | 6,903,310 B1 | 6/2005 | Lee |
| | | | 6,917,017 B2 | 7/2005 | Moon et al. |
| | | | 6,933,477 B2 | 8/2005 | Becker et al. |
| | | | 6,935,223 B2 | 8/2005 | Kobayashi |
| | | | 6,936,795 B1 | 8/2005 | Moon et al. |

(56)

References Cited

U.S. PATENT DOCUMENTS

| | | | | | |
|--------------|---------|--------------------------------|--------------|---------|---------------------|
| 6,936,801 B1 | 8/2005 | Head | 8,461,488 B2 | 6/2013 | Jeong et al. |
| 6,941,857 B2 | 9/2005 | McLemore | 8,517,205 B2 | 8/2013 | Thelen |
| 7,009,147 B1 | 3/2006 | Schulte | 8,544,381 B2 | 10/2013 | Cartigny et al. |
| 7,012,220 B2 | 3/2006 | Boyer et al. | 8,546,731 B2 | 10/2013 | Pellerin et al. |
| 7,012,221 B2 | 3/2006 | Li | 8,561,525 B2 | 10/2013 | Bauchot et al. |
| 7,021,203 B2 | 4/2006 | Backus et al. | D693,643 S * | 11/2013 | Moon D7/402 |
| 7,021,204 B2 | 4/2006 | Backus et al. | 8,578,293 B2 | 11/2013 | Breunig et al. |
| 7,053,337 B2 | 5/2006 | Ragan et al. | 8,581,137 B2 | 11/2013 | Egenter |
| 7,060,943 B2 | 6/2006 | Hwang | 8,618,447 B2 | 12/2013 | De'Longhi |
| 7,081,601 B2 | 7/2006 | Boyer et al. | 8,637,797 B2 | 1/2014 | Imura |
| 7,082,871 B2 | 8/2006 | Schultz | D699,514 S | 2/2014 | Lovley, II et al. |
| 7,086,326 B2 | 8/2006 | Yokoyama | 8,640,908 B2 | 2/2014 | Yang et al. |
| 7,126,088 B2 | 10/2006 | Horton et al. | 8,674,270 B2 | 3/2014 | Anderson et al. |
| 7,148,451 B2 | 12/2006 | Miyake et al. | 8,689,680 B2 | 4/2014 | Park |
| 7,154,069 B1 | 12/2006 | Gordon | 8,709,905 B2 | 4/2014 | Crayfourd |
| 7,156,087 B1 | 1/2007 | Churchill et al. | 8,714,391 B2 | 5/2014 | Milanesi |
| 7,157,675 B2 | 1/2007 | Imura | 8,726,792 B2 | 5/2014 | Shealy et al. |
| 7,166,822 B1 | 1/2007 | Chang et al. | 8,733,574 B2 | 5/2014 | Heidrich et al. |
| D549,517 S * | 8/2007 | Moran D7/358 | D707,078 S | 6/2014 | Rivera et al. |
| 7,276,677 B1 | 10/2007 | Shelton | 8,739,690 B2 | 6/2014 | Chameroy et al. |
| 7,285,751 B2 | 10/2007 | Li et al. | 8,747,933 B1 | 6/2014 | McGinn |
| D555,777 S | 11/2007 | Aveldson et al. | 8,766,144 B2 | 7/2014 | McLoughlin et al. |
| 7,322,279 B2 | 1/2008 | Cartigny et al. | 8,777,038 B2 | 7/2014 | Wen |
| 7,322,280 B2 | 1/2008 | Seurat Guiochet et al. | 8,783,498 B2 | 7/2014 | Li |
| 7,325,481 B2 | 2/2008 | Helm | 8,783,947 B2 | 7/2014 | Ferron et al. |
| 7,368,688 B2 | 5/2008 | Kim et al. | D710,647 S | 8/2014 | Mandil et al. |
| 7,373,874 B2 | 5/2008 | Seurat Guiochet et al. | 8,800,803 B2 | 8/2014 | Stellwag |
| 7,377,208 B2 | 5/2008 | Ho et al. | 8,808,772 B2 | 8/2014 | Lubrina et al. |
| 7,411,159 B2 | 8/2008 | Oosterling | 8,813,989 B2 | 8/2014 | Hoffmann et al. |
| 7,412,922 B2 | 8/2008 | McLemore | 8,820,220 B2 | 9/2014 | Thelen et al. |
| 7,451,691 B2 | 11/2008 | Robertson | 8,847,129 B2 | 9/2014 | Kim et al. |
| 7,451,692 B2 | 11/2008 | Baraille et al. | 8,869,829 B2 | 10/2014 | Hasegawa |
| 7,468,495 B2 | 12/2008 | Carbone et al. | 8,887,939 B2 | 11/2014 | Chameroy et al. |
| 7,523,696 B2 | 4/2009 | Seurat Guiochet et al. | D719,398 S | 12/2014 | Deters |
| D592,445 S | 5/2009 | Sorenson et al. | D720,571 S | 1/2015 | Deters |
| 7,530,302 B2 | 5/2009 | Stephanou | 8,931,402 B2 | 1/2015 | Chameroy et al. |
| 7,565,862 B2 | 7/2009 | Cartigny et al. | 8,931,659 B2 | 1/2015 | Rhetat et al. |
| 7,605,349 B2 | 10/2009 | Gaynor et al. | 8,944,272 B2 | 2/2015 | Chameroy et al. |
| D604,098 S | 11/2009 | Hamlin | 8,944,273 B2 | 2/2015 | Chameroy et al. |
| 7,619,186 B2 | 11/2009 | Cavada et al. | 8,973,770 B2 | 3/2015 | He et al. |
| 7,624,674 B2 | 12/2009 | Chameroy et al. | 8,985,372 B2 | 3/2015 | Yang et al. |
| 7,637,206 B2 | 12/2009 | Seurat Guiochet et al. | 8,991,307 B2 | 3/2015 | Grozinger et al. |
| 7,669,521 B2 | 3/2010 | Cartigny et al. | D727,095 S | 4/2015 | Bak |
| 7,703,385 B2 | 4/2010 | Seurat Guiochet et al. | 9,018,566 B2 | 4/2015 | Wang |
| 7,718,928 B2 | 5/2010 | He et al. | D728,301 S * | 5/2015 | Hack D7/368 |
| 7,726,508 B2 | 6/2010 | Hasegawa | 9,027,468 B2 | 5/2015 | Rhetat et al. |
| 7,762,420 B2 | 7/2010 | Auwarter et al. | 9,035,223 B2 | 5/2015 | Noguchi et al. |
| 7,766,003 B2 | 8/2010 | Kim | 9,055,618 B2 | 6/2015 | Bunzel et al. |
| 7,775,390 B2 | 8/2010 | De Bastos Reis Portugal et al. | 9,057,526 B2 | 6/2015 | Barritt |
| 7,800,022 B2 | 9/2010 | Kim | D735,520 S | 8/2015 | Mandil |
| 7,838,799 B2 | 11/2010 | Freedman | D738,676 S | 9/2015 | Accoceberry |
| 7,875,836 B2 | 1/2011 | Imura et al. | 9,119,501 B2 | 9/2015 | Xie |
| 7,935,914 B2 | 5/2011 | Imura | 9,125,513 B2 | 9/2015 | Kim |
| 7,964,824 B2 | 6/2011 | Moon | 9,138,106 B2 | 9/2015 | Walker |
| 7,968,824 B2 | 6/2011 | Lee et al. | D743,201 S * | 11/2015 | Aderka D7/354 |
| 8,006,685 B2 | 8/2011 | Bolton et al. | 9,177,460 B2 | 11/2015 | Fissler |
| 8,011,293 B2 | 9/2011 | McFadden et al. | 9,191,998 B2 | 11/2015 | Hegedis et al. |
| D651,456 S * | 1/2012 | Moon D7/402 | 9,220,362 B2 | 12/2015 | Eades et al. |
| 8,096,436 B2 | 1/2012 | Rhetat et al. | 9,237,829 B2 | 1/2016 | Alet Vidal et al. |
| 8,096,440 B2 | 1/2012 | Rhetat et al. | D749,906 S | 2/2016 | Lee |
| 8,205,543 B2 | 6/2012 | Rhetat et al. | D750,421 S | 3/2016 | Ho |
| 8,247,751 B2 | 8/2012 | Jagannathan | 9,271,595 B2 | 3/2016 | Lee |
| D667,255 S * | 9/2012 | Reiner D7/354 | 9,295,354 B2 | 3/2016 | Sloot et al. |
| 8,258,435 B2 | 9/2012 | Bonuso et al. | D754,469 S | 4/2016 | Deters |
| D669,730 S | 10/2012 | Mandil | 9,301,644 B2 | 4/2016 | Payen et al. |
| 8,276,507 B1 | 10/2012 | Walker | 9,314,134 B2 | 4/2016 | Molnar |
| 8,286,548 B2 | 10/2012 | Krishnan et al. | 9,320,381 B2 | 4/2016 | Chameroy et al. |
| 8,299,404 B2 | 10/2012 | Van Der Weij | 9,339,145 B1 | 5/2016 | Owczarzak |
| 8,302,800 B2 | 11/2012 | Hasegawa | 9,341,382 B2 | 5/2016 | Kim |
| 8,304,695 B2 | 11/2012 | Bonuso et al. | 9,351,495 B2 | 5/2016 | McFadden |
| 8,330,083 B2 | 12/2012 | Moon et al. | 9,353,954 B2 | 5/2016 | Linnewiel |
| 8,338,757 B2 | 12/2012 | Isoda et al. | 9,414,713 B2 | 8/2016 | Jinzhao |
| 8,378,265 B2 | 2/2013 | Greenwood et al. | 9,433,036 B2 | 8/2016 | Kurtimoto et al. |
| 8,381,712 B1 | 2/2013 | Simms, II | 9,439,530 B2 | 9/2016 | Logan et al. |
| 8,393,262 B1 | 3/2013 | Molayem | D769,058 S | 10/2016 | Lee |
| | | | 9,456,713 B2 | 10/2016 | Backaert et al. |
| | | | 9,470,423 B2 | 10/2016 | Jacob et al. |
| | | | 9,474,412 B2 | 10/2016 | Fung et al. |
| | | | D770,221 S | 11/2016 | Lee |

| (56) | References Cited | 2016/0198883 A1* | 7/2016 Wang | A47J 27/08 426/231 |
|-----------------|----------------------------|------------------|-----------------------------|-----------------------|
| | U.S. PATENT DOCUMENTS | 2016/0206131 A1 | 7/2016 Chien | |
| | | 2016/0219653 A1 | 7/2016 Kim et al. | |
| 2013/0104875 A1 | 5/2013 Schultz et al. | 2016/0220057 A1 | 8/2016 Smith et al. | |
| 2013/0180413 A1 | 7/2013 Tjerkgaast et al. | 2016/0235078 A1 | 8/2016 Farina et al. | |
| 2013/0180986 A1 | 7/2013 He et al. | 2016/0235239 A1 | 8/2016 Patadia | |
| 2013/0196038 A1 | 8/2013 Liu | 2016/0253080 A1 | 9/2016 Ban et al. | |
| 2013/0255509 A1 | 10/2013 He et al. | 2016/0270596 A1 | 9/2016 Allemand et al. | |
| 2013/0276643 A1 | 10/2013 Krolick et al. | 2016/0278563 A1 | 9/2016 Choudhary | |
| 2013/0298781 A1 | 11/2013 Ganuza et al. | 2016/0278565 A1 | 9/2016 Chameroy et al. | |
| 2013/0305933 A1 | 11/2013 Heidrich et al. | 2016/0281994 A1 | 9/2016 Nuessler | |
| 2013/0333685 A1 | 12/2013 Jeong et al. | 2016/0309956 A1 | 10/2016 Glucksman | |
| 2014/0021191 A1 | 1/2014 Moon et al. | 2016/0316525 A1 | 10/2016 Vainionpaa | |
| 2014/0083306 A1 | 3/2014 Lee | 2016/0316968 A1 | 11/2016 Linglin | |
| 2014/0083992 A1 | 3/2014 Linnewiel | 2016/0324359 A1 | 11/2016 Aboujassoum et al. | |
| 2014/0102315 A1 | 4/2014 Park | 2016/0327280 A1 | 11/2016 Smith et al. | |
| 2014/0157994 A1 | 6/2014 Ryan et al. | 2016/0345766 A1 | 12/2016 Sapire | |
| 2014/0175085 A1 | 6/2014 Yang et al. | 2016/0353913 A1 | 12/2016 Chameroy et al. | |
| 2014/0199459 A1 | 7/2014 Jackson et al. | 2016/0353914 A1 | 12/2016 Chameroy et al. | |
| 2014/0201688 A1 | 7/2014 Guilleminot et al. | 2016/0353915 A1 | 12/2016 Chameroy et al. | |
| 2014/0220196 A1 | 8/2014 Veloo | 2016/0353916 A1 | 12/2016 Chameroy et al. | |
| 2014/0227411 A1 | 8/2014 Popeil et al. | 2016/0360922 A1 | 12/2016 Xiao et al. | |
| 2014/0245898 A1 | 9/2014 Froza | 2016/0367061 A1 | 12/2016 Chou | |
| 2014/0251158 A1 | 9/2014 Yang et al. | 2016/0374510 A1 | 12/2016 Albizuri Landazabal | |
| 2014/0318385 A1 | 10/2014 Kim | 2017/0000293 A1 | 1/2017 Sladeczek et al. | |
| 2014/0318386 A1 | 10/2014 Kim | 2017/0020334 A1 | 1/2017 Sorenson et al. | |
| 2014/0318387 A1 | 10/2014 Kim | 2017/0055770 A1 | 3/2017 Case | |
| 2014/0318388 A1 | 10/2014 Kim | 2017/0065127 A1 | 3/2017 Bonaccorso | |
| 2014/0318389 A1 | 10/2014 Kim | 2017/0071034 A1 | 3/2017 Metz | |
| 2014/0322417 A1 | 10/2014 Kim | 2017/0079475 A1 | 3/2017 Buckley et al. | |
| 2014/0348987 A1 | 11/2014 Cheng et al. | 2017/0089590 A1 | 3/2017 Bruin-Slot et al. | |
| 2014/0353316 A1 | 12/2014 Lin | 2017/0099977 A1 | 4/2017 Liu | |
| 2014/0360384 A1 | 12/2014 Kim | 2017/0099984 A1 | 4/2017 Koetz | |
| 2014/0366746 A1 | 12/2014 Tsai | 2017/0099990 A1 | 4/2017 Magnouloux et al. | |
| 2014/0370176 A1 | 12/2014 Imura et al. | 2017/0099995 A1 | 4/2017 Magnouloux | |
| 2014/0377417 A1 | 12/2014 Martinez | 2017/0119192 A1 | 5/2017 Sanserverino | |
| 2015/0000535 A1 | 1/2015 Yoshidome et al. | 2017/0172335 A1 | 6/2017 Colas et al. | |
| 2015/0083107 A1 | 3/2015 Busch et al. | 2017/0181564 A1 | 6/2017 He et al. | |
| 2015/0122137 A1 | 5/2015 Chang | 2017/0199658 A1 | 7/2017 Stoufer et al. | |
| 2015/0136769 A1 | 5/2015 Quinn et al. | 2017/0231415 A1 | 8/2017 Cheng et al. | |
| 2015/0201788 A1 | 7/2015 Douma et al. | 2017/0231430 A1 | 8/2017 Moon et al. | |
| 2015/0201806 A1 | 7/2015 Yoshidome | 2017/0245674 A1 | 8/2017 Imura | |
| 2015/0208845 A1 | 7/2015 Robbins et al. | 2017/0245683 A1 | 8/2017 Chen et al. | |
| 2015/0208858 A1 | 7/2015 Robbins et al. | 2017/0245686 A1 | 8/2017 Man | |
| 2015/0223627 A1 | 8/2015 Li et al. | 2017/0251872 A1 | 9/2017 Li et al. | |
| 2015/0226438 A1 | 8/2015 Ozyurt et al. | 2017/0251874 A1 | 9/2017 Sladeczek | |
| 2015/0250187 A1 | 9/2015 Sakane et al. | 2017/0280914 A1 | 10/2017 Kumar et al. | |
| 2015/0292750 A1 | 10/2015 Delrue et al. | 2017/0290452 A1 | 10/2017 Guillaume et al. | |
| 2015/0305093 A1 | 10/2015 Smith et al. | 2017/0295993 A1 | 10/2017 Li et al. | |
| 2015/0313399 A1 | 11/2015 Park | 2017/0303740 A1 | 10/2017 Bonaccorso | |
| 2015/0351578 A1 | 12/2015 Song et al. | 2017/0332823 A1 | 11/2017 Sanseverino | |
| 2015/0366402 A1 | 12/2015 Wu et al. | 2017/0360238 A1 | 12/2017 Bogazzi | |
| 2016/0007644 A1 | 1/2016 Hack et al. | 2017/0360254 A1 | 12/2017 Muhr et al. | |
| 2016/0007789 A1 | 1/2016 Tiruvallur | 2017/0360255 A1 | 12/2017 Karau | |
| 2016/0029829 A1 | 2/2016 Klein | 2017/0367514 A1 | 12/2017 In 'T Groen et al. | |
| 2016/0033141 A1 | 2/2016 Rizzuto | 2017/0370595 A1 | 12/2017 Yang et al. | |
| 2016/0037955 A1 | 2/2016 Kim | 2018/0000285 A1 | 1/2018 Backus et al. | |
| 2016/0045067 A1 | 2/2016 Liao | 2018/0007744 A1 | 1/2018 Nonaka et al. | |
| 2016/0051077 A1 | 2/2016 Sloot et al. | 2018/0028017 A1 | 2/2018 Wu | |
| 2016/0051078 A1 | 2/2016 Jenkins et al. | 2018/0035698 A1 | 2/2018 McNerney et al. | |
| 2016/0051086 A1 | 2/2016 De Longhi | 2018/0073739 A1 | 3/2018 Dumenil | |
| 2016/0081509 A1 | 3/2016 Delrue et al. | 2018/0078089 A1 | 3/2018 Sauer et al. | |
| 2016/0100707 A1 | 4/2016 Huang | 2018/0103796 A1 | 4/2018 Park | |
| 2016/0100713 A1 | 4/2016 De Haas et al. | 2018/0110355 A1 | 4/2018 Huang et al. | |
| 2016/0113442 A1 | 4/2016 De Haas et al. | 2018/0116264 A1 | 5/2018 De Winter et al. | |
| 2016/0120363 A1 | 5/2016 Zwanenburg et al. | 2018/0116438 A1 | 5/2018 He et al. | |
| 2016/0120364 A1 | 5/2016 De Haas et al. | 2018/0125293 A1 | 5/2018 McNerney et al. | |
| 2016/0123660 A1 | 5/2016 Peng | 2018/0125294 A1 | 5/2018 Conte et al. | |
| 2016/0165676 A1 | 6/2016 Imm et al. | 2018/0140126 A1 | 5/2018 Van Dillen | |
| 2016/0174749 A1 | 6/2016 Eades et al. | 2018/0143086 A1 | 5/2018 Stoufer et al. | |
| 2016/0174764 A1 | 6/2016 Xiao | 2018/0153329 A1 | 6/2018 Glucksman et al. | |
| 2016/0174771 A1 | 6/2016 Benoit et al. | 2018/0160840 A1 | 6/2018 De' Longhi | |
| 2016/0183722 A1 | 6/2016 Fisher | 2018/0160849 A1 | 6/2018 Hebert, Jr. et al. | |
| 2016/0206139 A1 | 6/2016 Johnson | 2018/0177322 A1 | 6/2018 Kim | |
| 2016/0206140 A1 | 6/2016 Johnson et al. | 2018/0177343 A1 | 6/2018 Bonaccorso | |
| 2016/0192808 A1 | 7/2016 Van Der Burg et al. | 2018/0184843 A1 | 7/2018 Kim et al. | |
| 2016/0198882 A1 | 7/2016 Linglin | 2018/0184848 A1 | 7/2018 De' Longhi | |
| | | 2018/0192825 A1 | 7/2018 Popeil et al. | |

(56)

References Cited

U.S. PATENT DOCUMENTS

2018/0199756 A1 7/2018 Huang
 2018/0206672 A1 7/2018 Grace et al.
 2018/0206677 A1 7/2018 Ivarsson et al.
 2018/0220498 A1 8/2018 Jeon et al.
 2018/0220842 A1 8/2018 Delrue et al.
 2018/0228318 A1 8/2018 Zwanenburg et al.
 2018/0238560 A1 8/2018 Deng et al.
 2018/0255967 A1 9/2018 Haas et al.
 2018/0255971 A1 9/2018 Moon et al.
 2018/0263084 A1 9/2018 Yoshino et al.
 2018/0266697 A1 9/2018 Dash et al.
 2018/0271321 A1 9/2018 DelRue et al.
 2018/0271323 A1 9/2018 Zhang et al.
 2018/0279832 A1 10/2018 Ohta et al.
 2018/0289212 A1 10/2018 Sladeczek et al.
 2018/0296019 A1 10/2018 Kim et al.
 2018/0303285 A1 10/2018 Cheng
 2018/0317691 A1 11/2018 Huang
 2018/0317692 A1 11/2018 Huang
 2018/0317693 A1 11/2018 Huang
 2018/0325313 A1* 11/2018 De' Longhi A47J 37/0641
 2018/0325318 A1 11/2018 De Longhi et al.
 2018/0325322 A1 11/2018 De'Longhi et al.
 2018/0333004 A1 11/2018 DeLonghi
 2018/0333005 A1 11/2018 Fritz et al.
 2018/0344085 A1 12/2018 Dutter
 2018/0347829 A1 12/2018 Martini et al.
 2018/0353007 A1 12/2018 Eberhart et al.
 2018/0353010 A1 12/2018 DelRue et al.
 2018/0359823 A1 12/2018 Shin et al.
 2019/0000267 A1 1/2019 Li et al.
 2019/0008316 A1 1/2019 Kim et al.
 2019/0021142 A1 1/2019 Mizuta et al.
 2019/0045964 A1 2/2019 Gill et al.
 2019/0045973 A1* 2/2019 Gill A47J 37/0641
 2019/0053521 A1 2/2019 Tian et al.
 2019/0059647 A1 2/2019 Floessholzer
 2019/0069719 A1 3/2019 Huang et al.
 2019/0082876 A1 3/2019 Shi et al.

FOREIGN PATENT DOCUMENTS

CN 2389593 Y 8/2000
 CN 2450993 Y 10/2001
 CN 2469839 Y 1/2002
 CN 2479871 Y 3/2002
 CN 1139352 C 2/2004
 CN 1148142 C 5/2004
 CN 1158963 C 7/2004
 CN 2719176 Y 8/2005
 CN 1883351 A 12/2006
 CN 2855256 Y 1/2007
 CN 2904903 Y 5/2007
 CN 1981682 A 6/2007
 CN 1985727 A 6/2007
 CN 1989884 A 7/2007
 CN 100998476 A 7/2007
 CN 101023842 A 8/2007
 CN 101053485 A 10/2007
 CN 200987595 Y 12/2007
 CN 101099635 A 1/2008
 CN 101108064 A 1/2008
 CN 101112291 A 1/2008
 CN 101112292 A 1/2008
 CN 101112293 A 1/2008
 CN 101142448 A 3/2008
 CN 101185556 A 5/2008
 CN 100401957 C 7/2008
 CN 101209179 A 7/2008
 CN 101209180 A 7/2008
 CN 201079267 Y 7/2008
 CN 100425186 C 10/2008
 CN 100428906 C 10/2008
 CN 101273834 A 10/2008
 CN 201139427 Y 10/2008

CN 101322614 A 12/2008
 CN 201197609 Y 2/2009
 CN 100464682 C 3/2009
 CN 100469289 C 3/2009
 CN 201207144 Y 3/2009
 CN 101432608 A 5/2009
 CN 101438929 A 5/2009
 CN 100496350 C 6/2009
 CN 100522018 C 8/2009
 CN 100531628 C 8/2009
 CN 100534363 C 9/2009
 CN 101518409 A 9/2009
 CN 100559999 C 11/2009
 CN 201365839 Y 12/2009
 CN 100588351 C 2/2010
 CN 101669761 A 3/2010
 CN 101766443 A 7/2010
 CN 101791190 A 8/2010
 CN 101828856 A 9/2010
 CN 101856086 A 10/2010
 CN 201602600 U 10/2010
 CN 201624512 U 11/2010
 CN 101936550 A 1/2011
 CN 101940273 A 1/2011
 CN 101420893 B 2/2011
 CN 101977536 A 2/2011
 CN 201888709 U 7/2011
 CN 201929758 U 8/2011
 CN 201948771 U 8/2011
 CN 102178445 A 9/2011
 CN 102178464 A 9/2011
 CN 201958652 U 9/2011
 CN 101305890 B 11/2011
 CN 102240164 A 11/2011
 CN 102307500 A 1/2012
 CN 102313306 A 2/2012
 CN 102349791 A 2/2012
 CN 202151310 U 2/2012
 CN 102368936 A 3/2012
 CN 202184614 U 4/2012
 CN 101692958 B 5/2012
 CN 202207075 U 5/2012
 CN 202234720 U 5/2012
 CN 202234761 U 5/2012
 CN 202312886 U 7/2012
 CN 102670079 A 9/2012
 CN 202408428 U 9/2012
 CN 202408455 U 9/2012
 CN 102755120 A 10/2012
 CN 102824120 A 12/2012
 CN 202619362 U 12/2012
 CN 102100481 B 1/2013
 CN 102883641 A 1/2013
 CN 202636678 U 1/2013
 CN 103006045 A 4/2013
 CN 103006092 A 4/2013
 CN 202858889 U 4/2013
 CN 103142128 A 6/2013
 CN 103142151 A 6/2013
 CN 103169371 A 6/2013
 CN 103179884 A 6/2013
 CN 202960194 U 6/2013
 CN 202981682 U 6/2013
 CN 203000535 U 6/2013
 CN 103188947 A 7/2013
 CN 103188970 A 7/2013
 CN 103220947 A 7/2013
 CN 103222807 A 7/2013
 CN 203041954 U 7/2013
 CN 203041955 U 7/2013
 CN 102342739 B 8/2013
 CN 203122175 U 8/2013
 CN 103299132 A 9/2013
 CN 203195497 U 9/2013
 CN 203195499 U 9/2013
 CN 103375826 A 10/2013
 CN 203234602 U 10/2013
 CN 203234613 U 10/2013
 CN 102319018 B 11/2013

(56)

References Cited

FOREIGN PATENT DOCUMENTS

| | | | | | | | |
|----|-----------|---|---------|----|-----------|---|---------|
| CN | 203302862 | U | 11/2013 | CN | 105167592 | A | 12/2015 |
| CN | 103445669 | A | 12/2013 | CN | 105193301 | A | 12/2015 |
| CN | 102397005 | B | 1/2014 | CN | 204839219 | U | 12/2015 |
| CN | 103491830 | A | 1/2014 | CN | 204889693 | U | 12/2015 |
| CN | 203407931 | U | 1/2014 | CN | 105212693 | B | 1/2016 |
| CN | 103649643 | A | 3/2014 | CN | 105212730 | A | 1/2016 |
| CN | 103750730 | A | 4/2014 | CN | 105231811 | A | 1/2016 |
| CN | 203539138 | U | 4/2014 | CN | 105231812 | A | 1/2016 |
| CN | 203597772 | U | 5/2014 | CN | 105231813 | A | 1/2016 |
| CN | 203615383 | U | 5/2014 | CN | 105266565 | A | 1/2016 |
| CN | 203634023 | U | 6/2014 | CN | 105266577 | A | 1/2016 |
| CN | 203647141 | U | 6/2014 | CN | 204995259 | U | 1/2016 |
| CN | 203662545 | U | 6/2014 | CN | 105286496 | A | 2/2016 |
| CN | 103892696 | A | 7/2014 | CN | 105286498 | A | 2/2016 |
| CN | 103948308 | A | 7/2014 | CN | 105286627 | A | 2/2016 |
| CN | 203693372 | U | 7/2014 | CN | 105326332 | A | 2/2016 |
| CN | 203723888 | U | 7/2014 | CN | 105342454 | A | 2/2016 |
| CN | 104000478 | A | 8/2014 | CN | 205018878 | U | 2/2016 |
| CN | 203762926 | U | 8/2014 | CN | 105380512 | A | 3/2016 |
| CN | 203776718 | U | 8/2014 | CN | 105380513 | A | 3/2016 |
| CN | 203776719 | U | 8/2014 | CN | 105380514 | A | 3/2016 |
| CN | 203776729 | U | 8/2014 | CN | 105411378 | A | 3/2016 |
| CN | 203828675 | U | 9/2014 | CN | 105411379 | A | 3/2016 |
| CN | 203873602 | U | 10/2014 | CN | 105433778 | A | 3/2016 |
| CN | 203885286 | U | 10/2014 | CN | 105433779 | A | 3/2016 |
| CN | 203953373 | U | 11/2014 | CN | 105451610 | A | 3/2016 |
| CN | 203970073 | U | 12/2014 | CN | 105455628 | A | 4/2016 |
| CN | 203970160 | U | 12/2014 | CN | 105455664 | A | 4/2016 |
| CN | 203987492 | U | 12/2014 | CN | 105455671 | A | 4/2016 |
| CN | 203987520 | U | 12/2014 | CN | 105476461 | A | 4/2016 |
| CN | 203987550 | U | 12/2014 | CN | 105476464 | A | 4/2016 |
| CN | 203987551 | U | 12/2014 | CN | 105476472 | A | 4/2016 |
| CN | 204016055 | U | 12/2014 | CN | 105476491 | A | 4/2016 |
| CN | 204016056 | U | 12/2014 | CN | 105496184 | A | 4/2016 |
| CN | 204049362 | U | 12/2014 | CN | 105496185 | A | 4/2016 |
| CN | 204091768 | U | 1/2015 | CN | 105496224 | A | 4/2016 |
| CN | 104323708 | A | 2/2015 | CN | 205126014 | U | 4/2016 |
| CN | 104367182 | A | 2/2015 | CN | 105534269 | A | 5/2016 |
| CN | 204133165 | U | 2/2015 | CN | 105559571 | A | 5/2016 |
| CN | 204133291 | U | 2/2015 | CN | 105595792 | A | 5/2016 |
| CN | 204158183 | U | 2/2015 | CN | 105595803 | A | 5/2016 |
| CN | 104433841 | A | 3/2015 | CN | 205197727 | U | 5/2016 |
| CN | 204192406 | U | 3/2015 | CN | 205214967 | U | 5/2016 |
| CN | 104490294 | A | 4/2015 | CN | 205215045 | U | 5/2016 |
| CN | 102917623 | B | 5/2015 | CN | 102440681 | B | 6/2016 |
| CN | 104613515 | A | 5/2015 | CN | 102783908 | B | 6/2016 |
| CN | 104622274 | A | 5/2015 | CN | 103648337 | B | 6/2016 |
| CN | 104676681 | A | 6/2015 | CN | 105615638 | A | 6/2016 |
| CN | 104688019 | A | 6/2015 | CN | 105615639 | A | 6/2016 |
| CN | 104706212 | A | 6/2015 | CN | 105615686 | A | 6/2016 |
| CN | 104754992 | A | 7/2015 | CN | 105640299 | A | 6/2016 |
| CN | 104757872 | A | 7/2015 | CN | 105640302 | A | 6/2016 |
| CN | 104814665 | A | 8/2015 | CN | 105640309 | A | 6/2016 |
| CN | 104856561 | A | 8/2015 | CN | 105640351 | A | 6/2016 |
| CN | 104856563 | A | 8/2015 | CN | 105662112 | A | 6/2016 |
| CN | 204580991 | U | 8/2015 | CN | 105662125 | A | 6/2016 |
| CN | 104873098 | A | 9/2015 | CN | 105662126 | A | 6/2016 |
| CN | 104887063 | A | 9/2015 | CN | 105662127 | A | 6/2016 |
| CN | 204636063 | U | 9/2015 | CN | 105708312 | A | 6/2016 |
| CN | 104983318 | A | 10/2015 | CN | 205322075 | U | 6/2016 |
| CN | 104997394 | A | 10/2015 | CN | 104605727 | B | 7/2016 |
| CN | 204697804 | U | 10/2015 | CN | 105725730 | A | 7/2016 |
| CN | 105011741 | A | 11/2015 | CN | 105725829 | A | 7/2016 |
| CN | 105030035 | A | 11/2015 | CN | 103908166 | B | 8/2016 |
| CN | 105054772 | B | 11/2015 | CN | 205410811 | U | 8/2016 |
| CN | 105054773 | B | 11/2015 | CN | 205425108 | U | 8/2016 |
| CN | 204734374 | U | 11/2015 | CN | 205433281 | U | 8/2016 |
| CN | 204743846 | U | 11/2015 | CN | 205433317 | U | 8/2016 |
| CN | 204765197 | U | 11/2015 | CN | 205433320 | U | 8/2016 |
| CN | 204797615 | U | 11/2015 | CN | 105972653 | A | 9/2016 |
| CN | 204797616 | U | 11/2015 | CN | 205568641 | U | 9/2016 |
| CN | 103813738 | B | 12/2015 | CN | 205568772 | U | 9/2016 |
| CN | 105105624 | A | 12/2015 | CN | 205597052 | U | 9/2016 |
| CN | 105105626 | A | 12/2015 | CN | 106037448 | A | 10/2016 |
| CN | 105167591 | B | 12/2015 | CN | 205671926 | U | 11/2016 |
| | | | | CN | 205671927 | U | 11/2016 |
| | | | | CN | 106175476 | A | 12/2016 |
| | | | | CN | 205831665 | U | 12/2016 |
| | | | | CN | 205860134 | U | 1/2017 |

(56)

References Cited

FOREIGN PATENT DOCUMENTS

| | | | | | | | |
|----|-----------|---|---------|----|-----------|---|--------|
| CN | 106419524 | A | 2/2017 | CN | 107616686 | A | 1/2018 |
| CN | 102805554 | B | 3/2017 | CN | 107647763 | A | 2/2018 |
| CN | 106473623 | A | 3/2017 | CN | 107647769 | A | 2/2018 |
| CN | 106490967 | A | 3/2017 | CN | 107647771 | A | 2/2018 |
| CN | 106510449 | A | 3/2017 | CN | 107647772 | A | 2/2018 |
| CN | 206026100 | U | 3/2017 | CN | 107647777 | A | 2/2018 |
| CN | 206044349 | U | 3/2017 | CN | 107660996 | A | 2/2018 |
| CN | 106551617 | A | 4/2017 | CN | 107660997 | A | 2/2018 |
| CN | 106580074 | A | 4/2017 | CN | 107684336 | A | 2/2018 |
| CN | 206062888 | U | 4/2017 | CN | 107684337 | A | 2/2018 |
| CN | 206102391 | U | 4/2017 | CN | 107684338 | A | 2/2018 |
| CN | 206119969 | U | 4/2017 | CN | 107684339 | A | 2/2018 |
| CN | 106618154 | A | 5/2017 | CN | 107684340 | A | 2/2018 |
| CN | 106667244 | A | 5/2017 | CN | 107684341 | A | 2/2018 |
| CN | 106691171 | A | 5/2017 | CN | 107684342 | A | 2/2018 |
| CN | 206166726 | U | 5/2017 | CN | 107692806 | A | 2/2018 |
| CN | 106805744 | A | 6/2017 | CN | 107702838 | A | 2/2018 |
| CN | 106805746 | A | 6/2017 | CN | 107713732 | A | 2/2018 |
| CN | 106805747 | A | 6/2017 | CN | 107713733 | A | 2/2018 |
| CN | 106805749 | A | 6/2017 | CN | 107713734 | A | 2/2018 |
| CN | 106805750 | A | 6/2017 | CN | 107726388 | A | 2/2018 |
| CN | 106805752 | A | 6/2017 | CN | 106419522 | B | 3/2018 |
| CN | 106820951 | A | 6/2017 | CN | 107752726 | A | 3/2018 |
| CN | 106820954 | A | 6/2017 | CN | 107752748 | A | 3/2018 |
| CN | 106821017 | A | 6/2017 | CN | 107752751 | A | 3/2018 |
| CN | 106852641 | A | 6/2017 | CN | 107752788 | A | 3/2018 |
| CN | 106859298 | A | 6/2017 | CN | 107773021 | A | 3/2018 |
| CN | 106913201 | A | 7/2017 | CN | 107773026 | A | 3/2018 |
| CN | 106923655 | A | 7/2017 | CN | 107773029 | A | 3/2018 |
| CN | 106943000 | A | 7/2017 | CN | 107773090 | A | 3/2018 |
| CN | 106943002 | A | 7/2017 | CN | 107788820 | A | 3/2018 |
| CN | 106955017 | A | 7/2017 | CN | 107788827 | A | 3/2018 |
| CN | 106974548 | A | 7/2017 | CN | 107811499 | A | 3/2018 |
| CN | 106983360 | A | 7/2017 | CN | 107811517 | A | 3/2018 |
| CN | 107019418 | A | 8/2017 | CN | 107811518 | A | 3/2018 |
| CN | 107019419 | A | 8/2017 | CN | 107822492 | A | 3/2018 |
| CN | 107019420 | A | 8/2017 | CN | 107822494 | A | 3/2018 |
| CN | 107019423 | A | 8/2017 | CN | 107822496 | A | 3/2018 |
| CN | 107048976 | A | 8/2017 | CN | 107822496 | A | 3/2018 |
| CN | 107048991 | A | 8/2017 | CN | 107836981 | A | 3/2018 |
| CN | 107048993 | A | 8/2017 | CN | 107836986 | A | 3/2018 |
| CN | 107105914 | A | 8/2017 | CN | 107836988 | A | 3/2018 |
| CN | 104334066 | B | 9/2017 | CN | 207084680 | U | 3/2018 |
| CN | 107136910 | A | 9/2017 | CN | 107874584 | A | 4/2018 |
| CN | 107136911 | A | 9/2017 | CN | 107874599 | A | 4/2018 |
| CN | 107149395 | A | 9/2017 | CN | 107874601 | A | 4/2018 |
| CN | 107149398 | A | 9/2017 | CN | 107874602 | A | 4/2018 |
| CN | 105142473 | B | 10/2017 | CN | 107898351 | A | 4/2018 |
| CN | 107224188 | A | 10/2017 | CN | 107928388 | A | 4/2018 |
| CN | 107224197 | A | 10/2017 | CN | 107928395 | A | 4/2018 |
| CN | 107232962 | A | 10/2017 | CN | 107951369 | A | 4/2018 |
| CN | 107259978 | A | 10/2017 | CN | 107951376 | A | 4/2018 |
| CN | 107290094 | A | 10/2017 | CN | 107951407 | A | 4/2018 |
| CN | 107296485 | A | 10/2017 | CN | 107969907 | A | 5/2018 |
| CN | 107296486 | A | 10/2017 | CN | 107969908 | A | 5/2018 |
| CN | 107296487 | A | 10/2017 | CN | 107981713 | A | 5/2018 |
| CN | 107296488 | A | 10/2017 | CN | 107997571 | A | 5/2018 |
| CN | 107296489 | A | 10/2017 | CN | 108013742 | A | 5/2018 |
| CN | 107296490 | A | 10/2017 | CN | 108013743 | A | 5/2018 |
| CN | 107296493 | A | 10/2017 | CN | 108030404 | A | 5/2018 |
| CN | 107296494 | A | 10/2017 | CN | 108041976 | A | 5/2018 |
| CN | 104643954 | B | 11/2017 | CN | 108095570 | A | 6/2018 |
| CN | 107307729 | A | 11/2017 | CN | 108113501 | A | 6/2018 |
| CN | 107307730 | A | 11/2017 | CN | 108143256 | A | 6/2018 |
| CN | 107361637 | A | 11/2017 | CN | 108143259 | A | 6/2018 |
| CN | 107397431 | A | 11/2017 | CN | 108143260 | A | 6/2018 |
| CN | 107411540 | A | 12/2017 | CN | 108143261 | A | 6/2018 |
| CN | 107440490 | A | 12/2017 | CN | 108143262 | A | 6/2018 |
| CN | 107468052 | A | 12/2017 | CN | 108143263 | A | 6/2018 |
| CN | 107495849 | A | 12/2017 | CN | 108143264 | A | 6/2018 |
| CN | 107495856 | A | 12/2017 | CN | 108158429 | A | 6/2018 |
| CN | 107510356 | A | 12/2017 | CN | 108209547 | A | 6/2018 |
| CN | 107510379 | A | 12/2017 | CN | 104207651 | B | 7/2018 |
| CN | 206687606 | U | 12/2017 | CN | 108244994 | A | 7/2018 |
| CN | 107550258 | A | 1/2018 | CN | 108244995 | A | 7/2018 |
| | | | | CN | 108244997 | A | 7/2018 |
| | | | | CN | 108244998 | A | 7/2018 |
| | | | | CN | 108244999 | A | 7/2018 |
| | | | | CN | 108245000 | A | 7/2018 |
| | | | | CN | 108261055 | A | 7/2018 |

(56)

References Cited

FOREIGN PATENT DOCUMENTS

| | | | | | | | |
|----|-----------|---|---------|----|------------|----|---------|
| CN | 108261056 | A | 7/2018 | CN | 108851966 | A | 11/2018 |
| CN | 108261061 | A | 7/2018 | CN | 108851969 | A | 11/2018 |
| CN | 108272336 | A | 7/2018 | CN | 108888087 | A | 11/2018 |
| CN | 108272338 | A | 7/2018 | CN | 108888099 | A | 11/2018 |
| CN | 108294616 | A | 7/2018 | CN | 108903620 | A | 11/2018 |
| CN | 108309035 | A | 7/2018 | CN | 108903621 | A | 11/2018 |
| CN | 108324096 | A | 7/2018 | CN | 106419526 | B | 12/2018 |
| CN | 108354444 | A | 8/2018 | CN | 108926239 | A | 12/2018 |
| CN | 108354466 | A | 8/2018 | CN | 108926249 | A | 12/2018 |
| CN | 108378678 | A | 8/2018 | CN | 108937520 | A | 12/2018 |
| CN | 108378690 | A | 8/2018 | CN | 108937525 | A | 12/2018 |
| CN | 108402888 | A | 8/2018 | CN | 108937556 | A | 12/2018 |
| CN | 108402889 | A | 8/2018 | CN | 108937558 | A | 12/2018 |
| CN | 108402920 | A | 8/2018 | CN | 108937559 | A | 12/2018 |
| CN | 108420304 | A | 8/2018 | CN | 108937560 | A | 12/2018 |
| CN | 108433517 | A | 8/2018 | CN | 108955959 | A | 12/2018 |
| CN | 108433529 | A | 8/2018 | CN | 108968659 | A | 12/2018 |
| CN | 108451351 | A | 8/2018 | CN | 108968660 | A | 12/2018 |
| CN | 108451388 | A | 8/2018 | CN | 108968662 | A | 12/2018 |
| CN | 108464732 | A | 8/2018 | CN | 108968663 | A | 12/2018 |
| CN | 207754989 | U | 8/2018 | CN | 108968667 | A | 12/2018 |
| CN | 207755036 | U | 8/2018 | CN | 108968668 | A | 12/2018 |
| CN | 106539491 | B | 9/2018 | CN | 108968669 | A | 12/2018 |
| CN | 107019415 | B | 9/2018 | CN | 108991918 | A | 12/2018 |
| CN | 107019416 | B | 9/2018 | CN | 108991919 | A | 12/2018 |
| CN | 108477987 | A | 9/2018 | CN | 109008595 | A | 12/2018 |
| CN | 108497908 | A | 9/2018 | CN | 109008598 | A | 12/2018 |
| CN | 108497914 | A | 9/2018 | CN | 208259529 | U | 12/2018 |
| CN | 108497918 | A | 9/2018 | CN | 106562666 | B | 1/2019 |
| CN | 108497942 | A | 9/2018 | CN | 106606293 | B | 1/2019 |
| CN | 108523647 | A | 9/2018 | CN | 106724784 | B | 1/2019 |
| CN | 108523649 | A | 9/2018 | CN | 106820956 | B | 1/2019 |
| CN | 108552969 | A | 9/2018 | CN | 106820957 | B | 1/2019 |
| CN | 108552989 | A | 9/2018 | CN | 107019417 | B | 1/2019 |
| CN | 108567309 | A | 9/2018 | CN | 109247837 | A | 1/2019 |
| CN | 108567321 | A | 9/2018 | CN | 107174116 | B | 3/2019 |
| CN | 108567322 | A | 9/2018 | CN | 107174117 | B | 3/2019 |
| CN | 108577514 | A | 9/2018 | CN | 109393957 | A | 3/2019 |
| CN | 108606627 | A | 10/2018 | CN | 105640308 | A | 6/2019 |
| CN | 108618592 | A | 10/2018 | EP | 1767860 | A1 | 3/2007 |
| CN | 108618593 | A | 10/2018 | JP | 2014200627 | A | 10/2014 |
| CN | 108618594 | A | 10/2018 | JP | 2014204770 | A | 10/2014 |
| CN | 108618595 | A | 10/2018 | WO | 8911773 | A1 | 11/1989 |
| CN | 108618597 | A | 10/2018 | WO | 9837796 | A1 | 9/1998 |
| CN | 108618651 | A | 10/2018 | WO | 9952328 | A1 | 10/1999 |
| CN | 108634771 | A | 10/2018 | WO | 0044096 | | 7/2000 |
| CN | 108634777 | A | 10/2018 | WO | 0049839 | A1 | 8/2000 |
| CN | 108634807 | A | 10/2018 | WO | 2006122643 | A1 | 11/2006 |
| CN | 108652431 | A | 10/2018 | WO | 2009043812 | A1 | 4/2009 |
| CN | 108652432 | A | 10/2018 | WO | 2015006891 | A1 | 1/2015 |
| CN | 108670021 | A | 10/2018 | WO | 2015028940 | A1 | 3/2015 |
| CN | 108670023 | A | 10/2018 | WO | 2015081549 | A1 | 6/2015 |
| CN | 108703644 | A | 10/2018 | WO | 2016007002 | A1 | 1/2016 |
| CN | 108703645 | A | 10/2018 | WO | 2016028549 | A1 | 2/2016 |
| CN | 108703675 | A | 10/2018 | WO | 2016091063 | A1 | 6/2016 |
| CN | 106580073 | B | 11/2018 | WO | 2016141009 | A1 | 9/2016 |
| CN | 108720548 | A | 11/2018 | WO | 2016148492 | A1 | 9/2016 |
| CN | 108720577 | A | 11/2018 | WO | 2016154114 | A1 | 9/2016 |
| CN | 108720581 | A | 11/2018 | WO | 2016165198 | A1 | 10/2016 |
| CN | 108720584 | A | 11/2018 | WO | 2016171385 | A1 | 10/2016 |
| CN | 108720585 | A | 11/2018 | WO | 2016182975 | A1 | 11/2016 |
| CN | 108720586 | A | 11/2018 | WO | 2016189440 | | 12/2016 |
| CN | 108720633 | A | 11/2018 | WO | 2016193008 | A1 | 12/2016 |
| CN | 108732958 | A | 11/2018 | WO | 2016193643 | A1 | 12/2016 |
| CN | 108771466 | A | 11/2018 | WO | 2017005533 | A1 | 1/2017 |
| CN | 108784323 | A | 11/2018 | WO | 2017039091 | A1 | 3/2017 |
| CN | 108784324 | A | 11/2018 | WO | 2017045387 | A1 | 3/2017 |
| CN | 108784330 | A | 11/2018 | WO | 2017049635 | A1 | 3/2017 |
| CN | 108784401 | A | 11/2018 | WO | 2017049717 | A1 | 3/2017 |
| CN | 108814274 | A | 11/2018 | WO | 2017050693 | A2 | 3/2017 |
| CN | 108836104 | A | 11/2018 | WO | 2017063872 | A1 | 4/2017 |
| CN | 108836105 | A | 11/2018 | WO | 2017072068 | A1 | 5/2017 |
| CN | 108836107 | A | 11/2018 | WO | 2017074119 | A1 | 5/2017 |
| CN | 108836108 | A | 11/2018 | WO | 2017076797 | A1 | 5/2017 |
| CN | 108836131 | A | 11/2018 | WO | 2017081420 | A1 | 5/2017 |
| | | | | WO | 2017085026 | A1 | 5/2017 |
| | | | | WO | 2017085671 | A1 | 5/2017 |
| | | | | WO | 2017085673 | A1 | 5/2017 |
| | | | | WO | 2017086543 | A1 | 5/2017 |

(56)

References Cited

FOREIGN PATENT DOCUMENTS

WO 2017092062 A1 6/2017
 WO 2017092063 A1 6/2017
 WO 2017094968 A1 6/2017
 WO 2017097790 A1 6/2017
 WO 2017104892 A1 6/2017
 WO 2017104894 A1 6/2017
 WO 2017104895 A1 6/2017
 WO 2017104896 A1 6/2017
 WO 2017104898 A1 6/2017
 WO 2017104900 A1 6/2017
 WO 2017105076 A2 6/2017
 WO 2017111425 A1 6/2017
 WO 2017121691 A1 7/2017
 WO 2017127655 A1 7/2017
 WO 2017144795 A1 8/2017
 WO 2017149519 A1 9/2017
 WO 2017152518 A1 9/2017
 WO 2017153360 A1 9/2017
 WO 2017158068 A1 9/2017
 WO 2017166317 A1 10/2017
 WO 2017177007 A1 10/2017
 WO 2017177423 A1 10/2017
 WO 2017178229 A1 10/2017
 WO 2017178650 A1 10/2017
 WO 2017178739 A1 10/2017
 WO 2017179804 A1 10/2017
 WO 2017191377 A1 11/2017
 WO 2017191395 A1 11/2017
 WO 2017195777 A1 11/2017
 WO 2017197482 A1 11/2017
 WO 2017198815 A1 11/2017
 WO 2017198848 A1 11/2017
 WO 2017201530 A1 11/2017
 WO 2017202641 A1 11/2017
 WO 2017209465 A1 12/2017
 WO 2017211045 A1 12/2017
 WO 2017213330 A2 12/2017
 WO 2017213423 A1 12/2017
 WO 2017215926 A1 12/2017
 WO 2017215988 A1 12/2017
 WO 2018004226 A1 1/2018
 WO 2018007218 A1 1/2018
 WO 2018014806 A1 1/2018
 WO 2018015695 A1 1/2018
 WO 2017077571 A1 2/2018
 WO 2018018670 A1 2/2018
 WO 2018023863 A1 2/2018
 WO 2018024781 A1 2/2018
 WO 2018024782 A1 2/2018
 WO 2018024783 A1 2/2018
 WO 2018026041 A1 2/2018
 WO 2018026906 A1 2/2018
 WO 2018026928 A1 2/2018
 WO 2018032540 A1 2/2018
 WO 2018032541 A1 2/2018
 WO 2018032542 A1 2/2018
 WO 2018032589 A1 2/2018
 WO 2018032648 A1 2/2018
 WO 2018037177 A1 3/2018
 WO 2018040250 A1 3/2018
 WO 2018041536 A1 3/2018
 WO 2018045643 A1 3/2018
 WO 2018050520 A1 3/2018
 WO 2018050838 A1 3/2018
 WO 2018058384 A1 4/2018
 WO 2018058569 A1 4/2018
 WO 2018058740 A1 4/2018
 WO 2018059994 A1 4/2018

WO 2018060260 A1 4/2018
 WO 2018060273 A1 4/2018
 WO 2018060331 A1 4/2018
 WO 2018065424 A1 4/2018
 WO 2018068376 A1 4/2018
 WO 2018068425 A1 4/2018
 WO 2018068976 A1 4/2018
 WO 2018076164 A1 5/2018
 WO 2018076166 A1 5/2018
 WO 2018076415 A1 5/2018
 WO 2018082131 A1 5/2018
 WO 2018090287 A1 5/2018
 WO 2018093004 A1 5/2018
 WO 2018095247 A1 5/2018
 WO 2018095420 A1 5/2018
 WO 2018095949 A1 5/2018
 WO 2018120561 A1 5/2018
 WO 2017104893 A1 6/2018
 WO 2018099233 A1 6/2018
 WO 2018102128 A1 6/2018
 WO 2018107522 A1 6/2018
 WO 2018107973 A1 6/2018
 WO 2018116056 A1 6/2018
 WO 2018116057 A1 6/2018
 WO 2018121166 A1 7/2018
 WO 2018121199 A1 7/2018
 WO 2018133993 A1 7/2018
 WO 2018137832 A1 8/2018
 WO 2018140954 A1 8/2018
 WO 2018147640 A1 8/2018
 WO 2018165698 A1 9/2018
 WO 2018197720 A1 11/2018
 WO 2018207221 A1 11/2018
 WO 2018220659 A1 12/2018
 WO 2018223713 A1 12/2018
 WO 2019032876 A1 2/2019
 WO 2019032878 A1 2/2019

OTHER PUBLICATIONS

Notification of Transmittal of the International Search Report of the International Searching Authority, or the Declaration; PCT/US2018/046079; dated Jan. 2, 2019, 7 pages.

Notification of Transmittal of the Written Opinion of the International Searching Authority, or the Declaration. PCT/US2018/046077, dated Dec. 19, 2018, 10 pages.

Notification of Transmittal of the Written Opinion of the International Searching Authority, or the Declaration; PCT/US2018/046079; dated Jan. 2, 2019, 10 pages.

WO2018122652A1; dated Jul. 5, 2018; English Abstract Only (3 Pages).

DeLonghi, [online]; [retrieved on Mar. 18, 2019]; retrieved from the Internet <https://www.delonghi.com/en-us/products/kitchen/kitchen-appliances/low-oil-fryer-and-multicooker/multifry-fh11631bk-0125392006?TabSegment=support#supportDeLonghi>, "FH1163 FH1363 MultiFry", DeLonghi Instruction Manual, www.delonghi.com, 5712511041/05.15, pp. 1-11.

Gill et al.; Design U.S. Appl. No. 29/653,847, filed Jun. 19, 2018; Air Diffuser and Air Diffuser With Food Preparation Pot.

Gill et al.; U.S. Appl. No. 16/059,876, filed Aug. 9, 2018; Cooking Device and Components Thereof.

Gill et al.; U.S. Appl. No. 16/059,874, filed Aug. 9, 2018; Cooking Device and Components Thereof.

U.S. Appl. No. 29/660,495, filed Aug. 21, 2018, Food Preparation Device and Parts Thereof; Notice of Allowance dated Oct. 25, 2019; pp. 1-9.

* cited by examiner

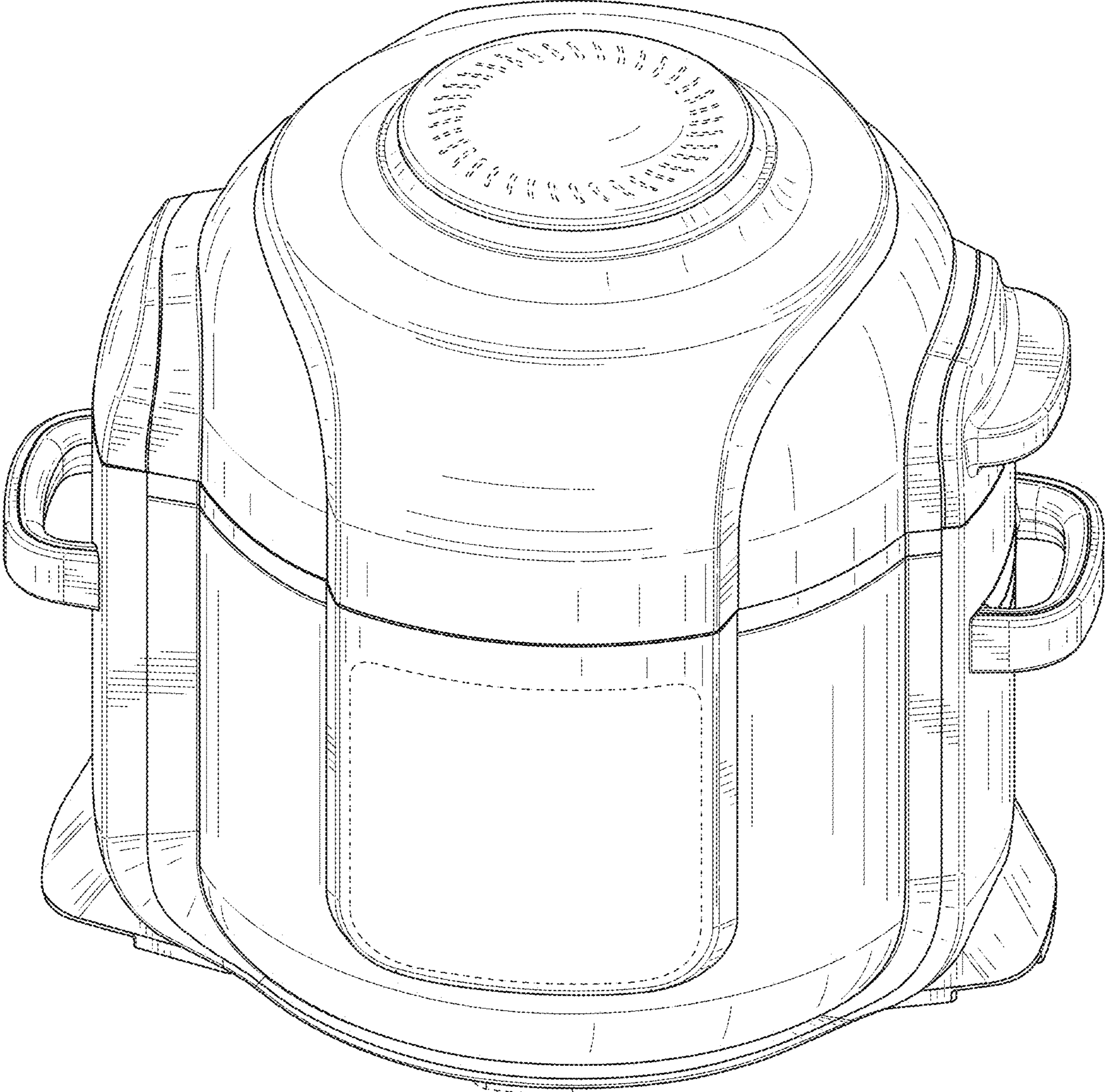


FIG. 1

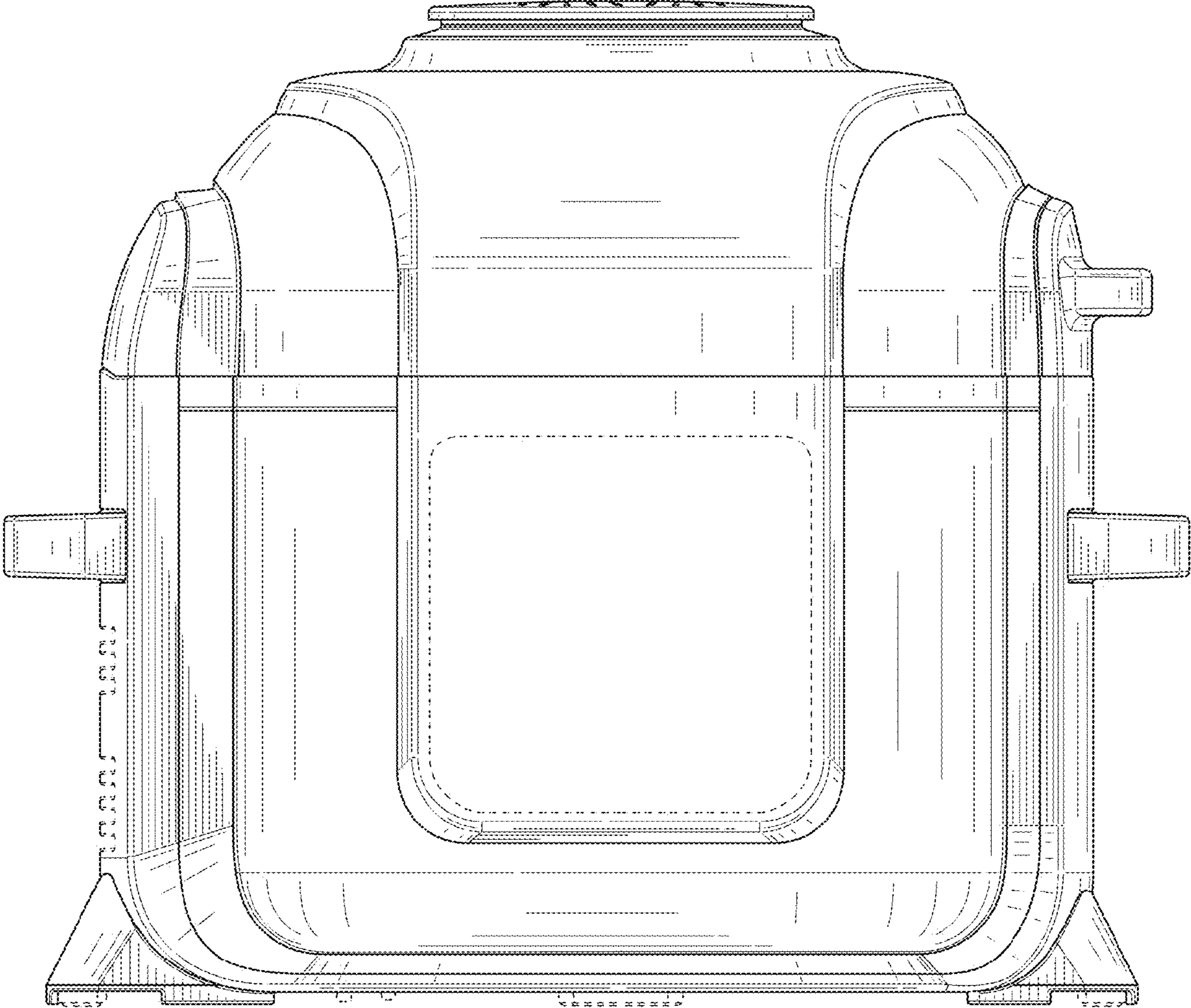


FIG. 2

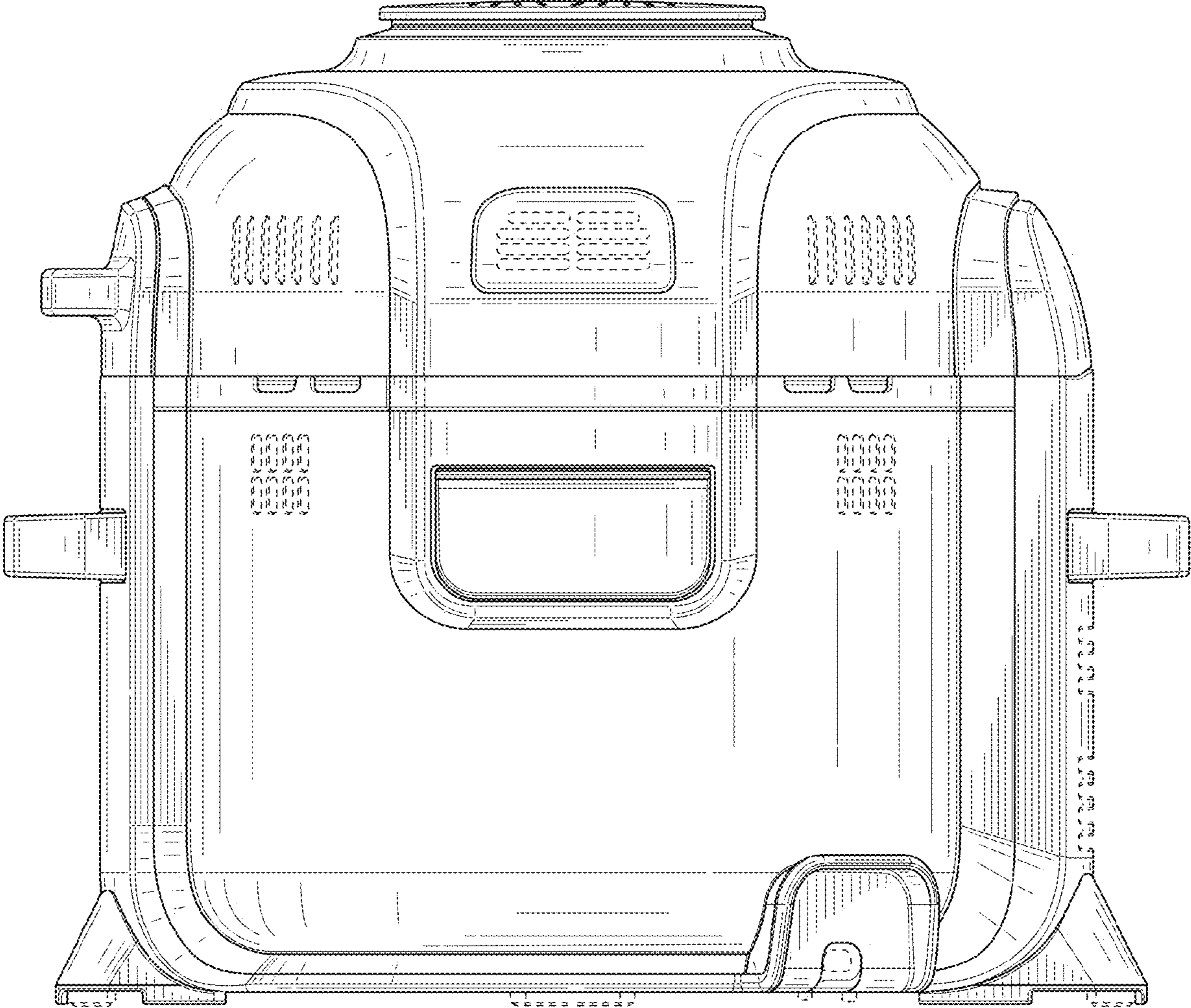


FIG. 3

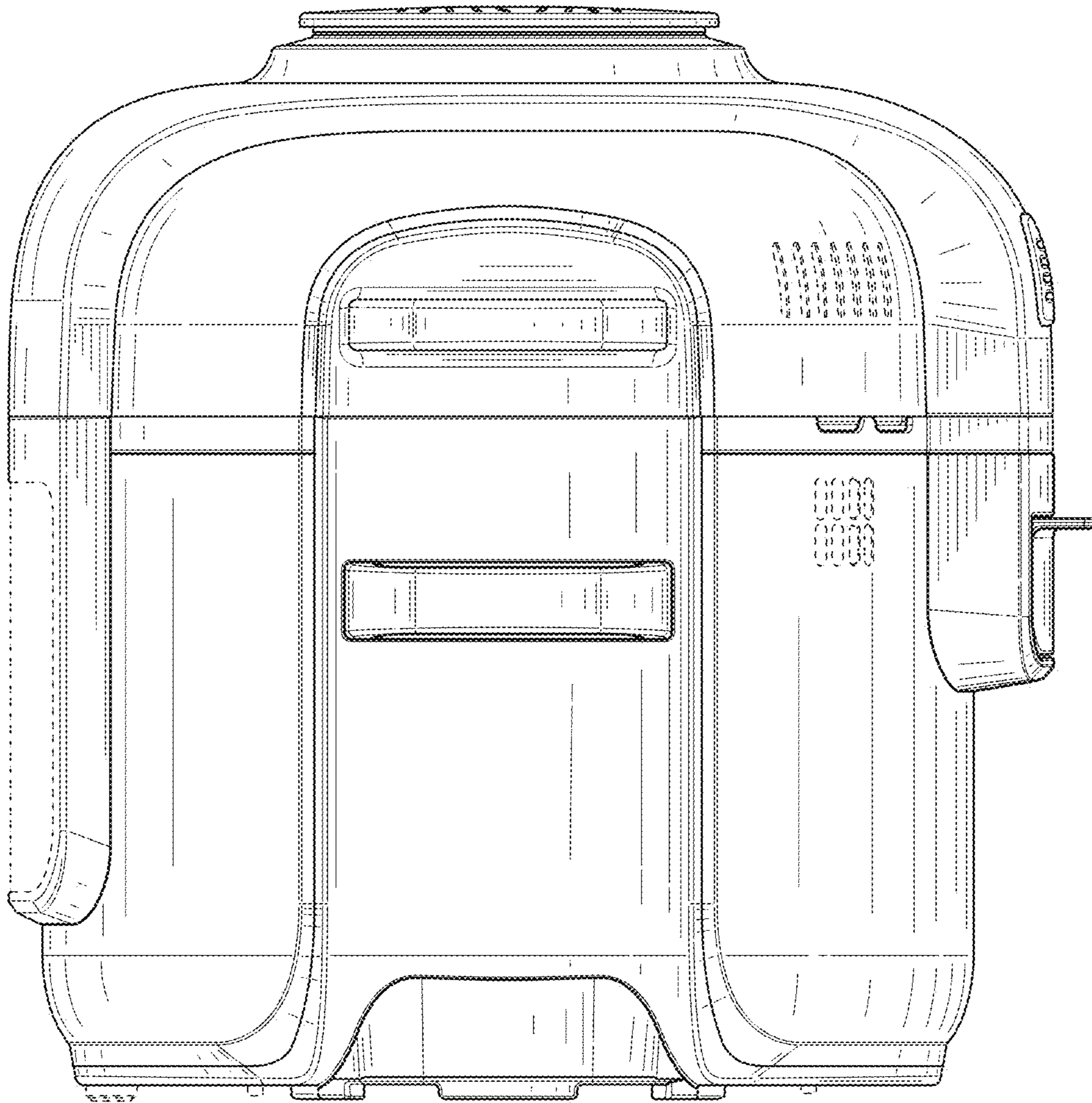


FIG. 4

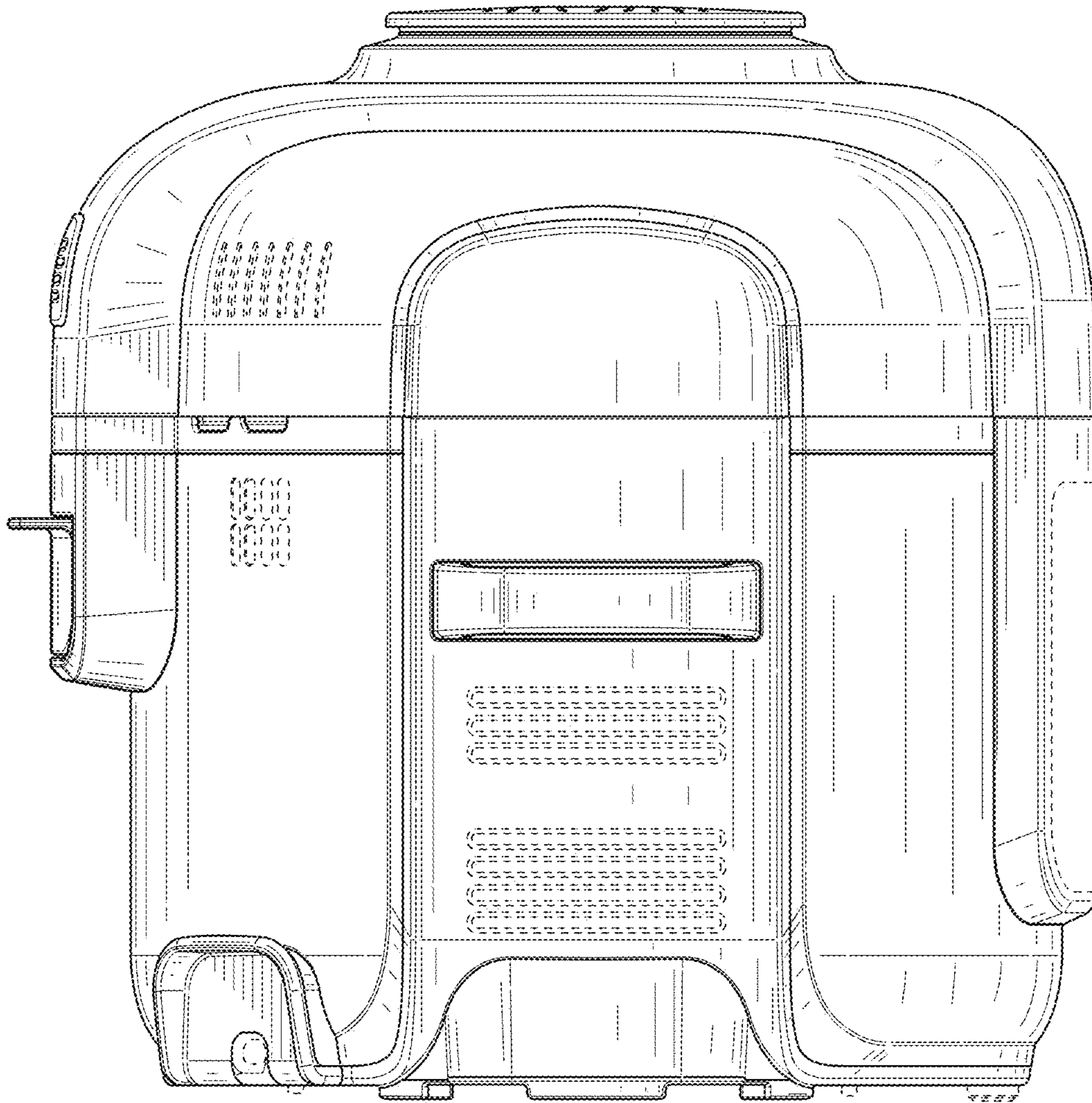


FIG. 5

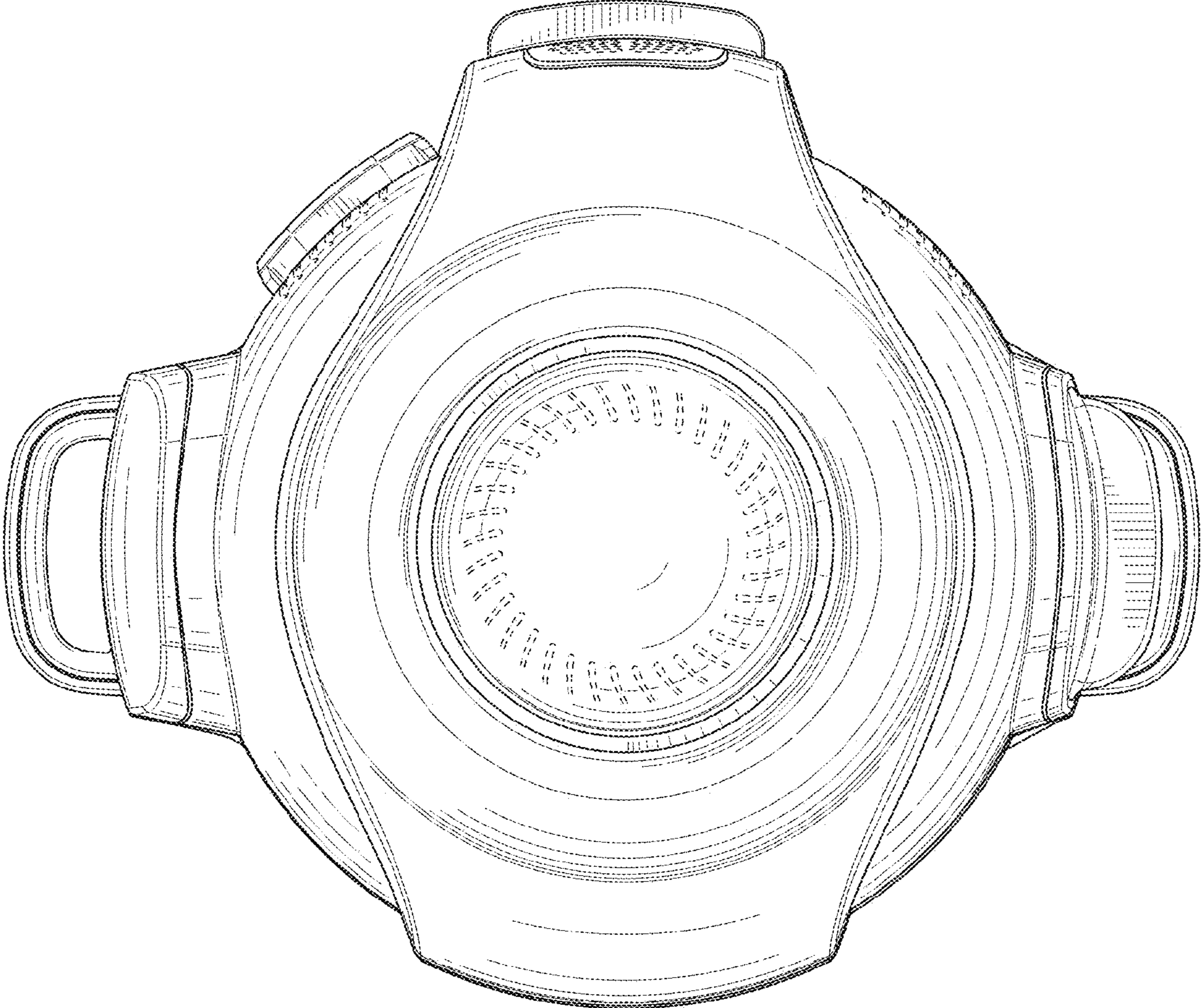


FIG. 6

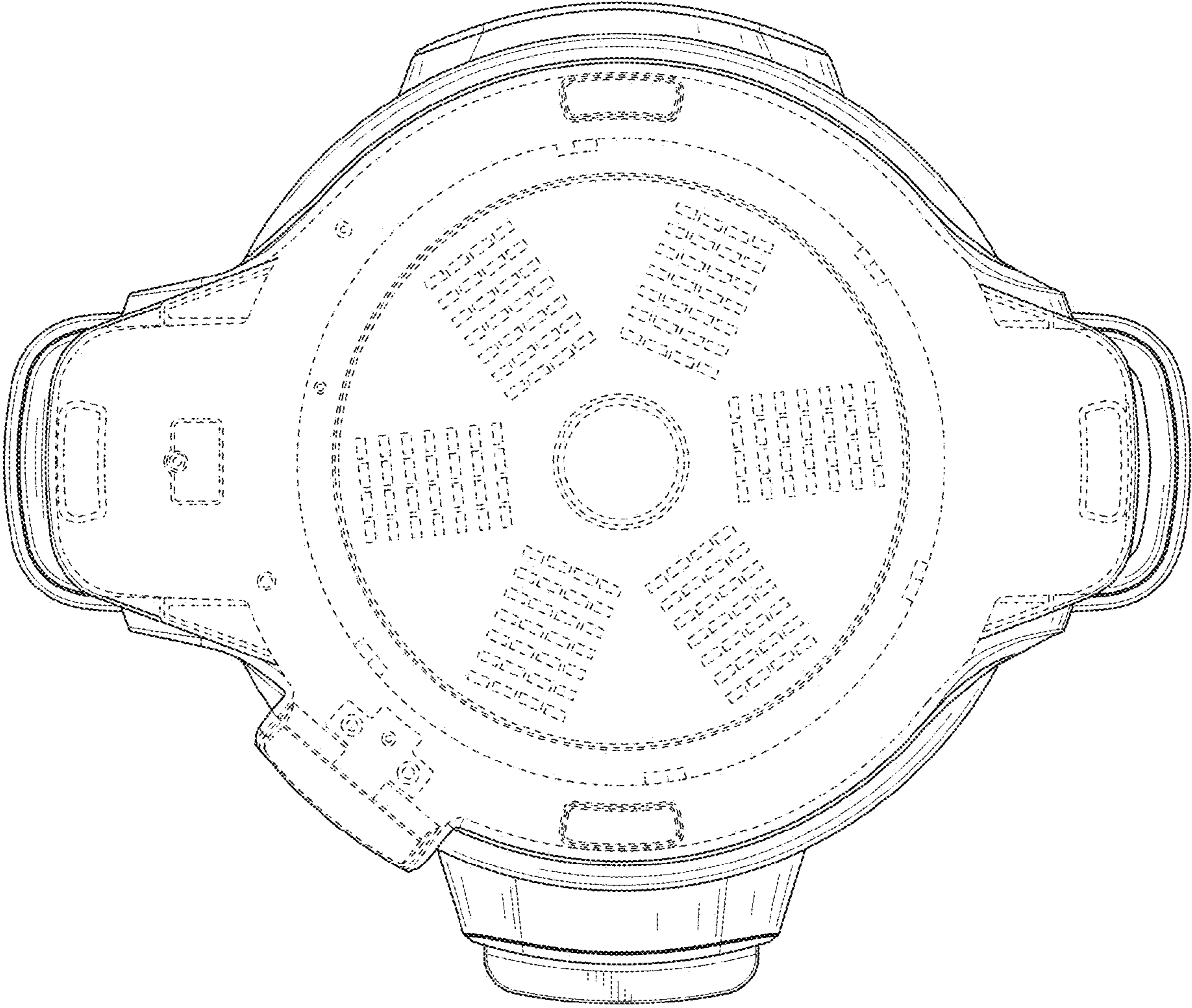


FIG. 7