



US00D883014S

(12) **United States Design Patent** (10) **Patent No.:** **US D883,014 S**
Varjabedian et al. (45) **Date of Patent:** **** May 5, 2020**

(54) **FOOD PREPARATION DEVICE**

FOREIGN PATENT DOCUMENTS

(71) Applicant: **SHARKNINJA OPERATING LLC**,
Needham, MA (US)

CN 2253170 Y 4/1997
CN 1218653 A 6/1999

(Continued)

(72) Inventors: **Nicholas Varjabedian**, Middleboro,
MA (US); **Benjamin Lenart**, Malden,
MA (US)

OTHER PUBLICATIONS

(73) Assignee: **SHARKNINJA OPERATING LLC**,
Needham, MA (US)

DeLonghi, [online]; [retrieved on Mar. 18, 2019]; retrieved from the Internet <https://www.delonghi.com/en-us/products/kitchen/kitchen-appliances/low-oil-fryer-and-multicooker/multifry-fh11631bk-0125392006?TabSegment=support#supportDeLonghi>, “FH1163 FH1363 MultiFry”, DeLonghi Instruction Manual, www.delonghi.com, 5712511041/05.15, pp. 1-11.

(**) Term: **15 Years**

(Continued)

(21) Appl. No.: **29/659,571**

Primary Examiner — Ricky Pham

(22) Filed: **Aug. 9, 2018**

(74) *Attorney, Agent, or Firm* — Cantor Colburn LLP

(51) **LOC (12) Cl.** **07-02**

(52) **U.S. Cl.**

(57) **CLAIM**

USPC **D7/354**; D7/358

The ornamental design for a food preparation device, as shown and described.

(58) **Field of Classification Search**

DESCRIPTION

USPC D7/323, 354–361, 391, 368, 393, 402;
D21/525

CPC A47J 27/00; A47J 27/004; A47J 27/04;
A47J 27/08; A47J 27/0802; A47J
27/0804; A47J 27/0811; A47J 27/0813;
A47J 27/0815; A47J 27/0817; A47J
27/084; A47J 27/09; A47J 27/092; A47J
36/025; A47J 36/06; A47J 37/0641; A47J
37/12; A47J 37/1204; A47J 37/1209;
A47J 45/07; A47J 45/071; A47J 45/074;
A47J 45/08; B01D

FIG. 1 is a perspective view of a food preparation device, showing our new design;
FIG. 2 is a front view of the embodiment shown in FIG. 1;
FIG. 3 is a rear view of the embodiment shown in FIG. 1;
FIG. 4 is side view of the embodiment shown in FIG. 1;
FIG. 5 is another side view of the embodiment shown in FIG. 1;
FIG. 6 is a top view of the embodiment shown in FIG. 1;
FIG. 7 is a bottom view of the embodiment shown in FIG. 1;
FIG. 8 is another perspective view of the embodiment shown in FIG. 1, as shown in an alternate configuration; and,
FIG. 9 is still another perspective view of the embodiment shown in FIG. 1, as shown in an alternate configuration.
The broken lines in the figures are for environmental purposes only and form no part of the claimed design.

(Continued)

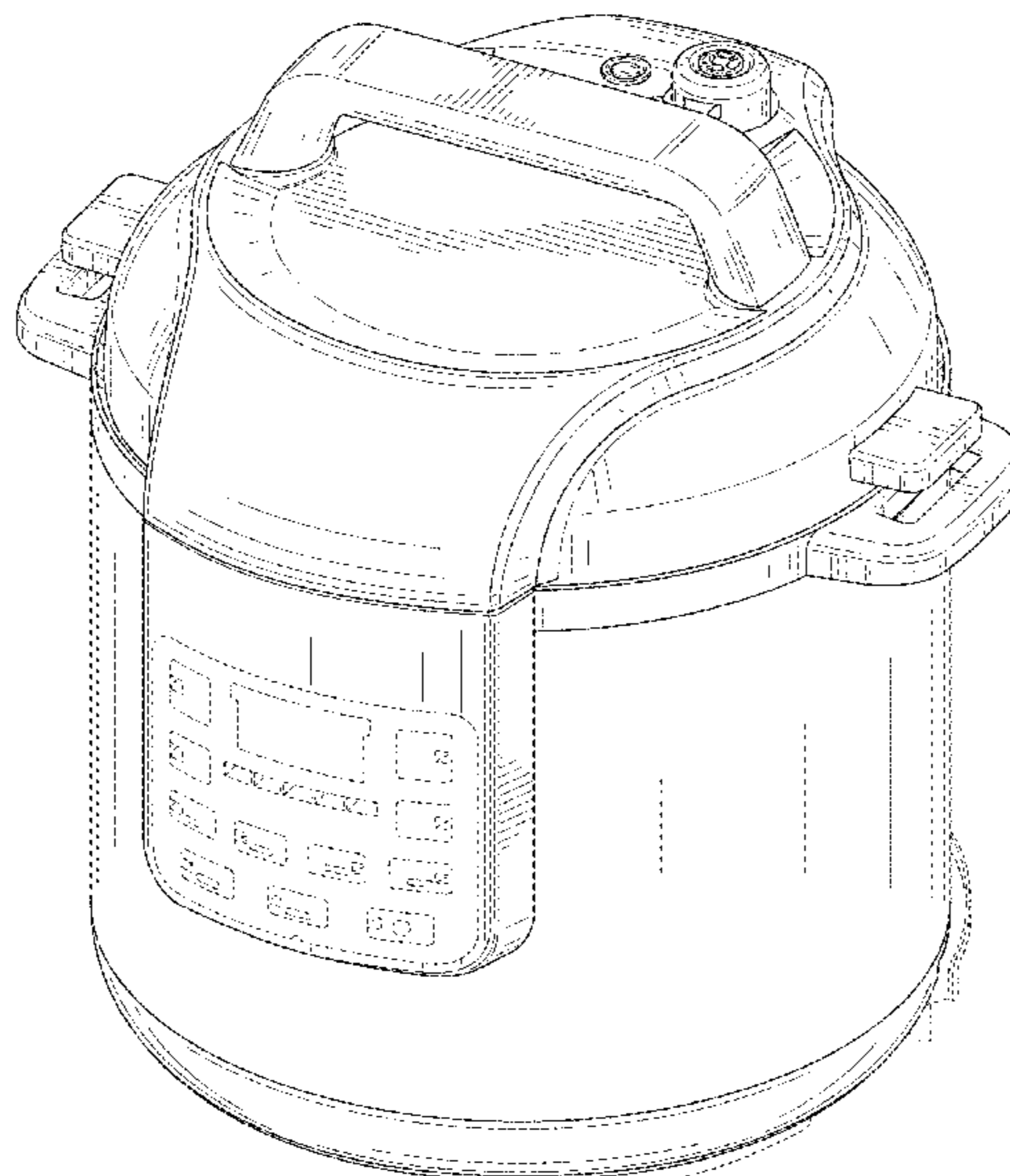
(56) **References Cited**

U.S. PATENT DOCUMENTS

2,055,972 A 9/1934 Fritsche
1,986,088 A 1/1935 Wild

(Continued)

1 Claim, 9 Drawing Sheets



(58) **Field of Classification Search**
 CPC 2201/345; B01J 3/03; B01J 3/04; F01P
 2011/0247; F01P 2011/0252; H05B 6/00;
 H05B 6/02; H05B 6/06
 See application file for complete search history.

(56) **References Cited**

U.S. PATENT DOCUMENTS

2,313,968 A 10/1937 Reich
 2,378,950 A 10/1937 Reich
 2,188,757 A 8/1938 Moon
 2,253,833 A 12/1939 Volks
 3,076,405 A 2/1963 Lang
 3,122,134 A 2/1964 Reeves
 3,514,301 A 5/1970 Berger
 3,529,582 A 9/1970 Hurko et al.
 3,610,885 A 10/1971 Zingg
 3,821,454 A 6/1974 Lobel
 3,828,760 A 8/1974 Farber et al.
 4,106,486 A 8/1978 Lee
 4,148,250 A 4/1979 Miki et al.
 4,162,741 A 7/1979 Walker et al.
 4,210,072 A 7/1980 Pedrini
 4,241,288 A 12/1980 Aoshima et al.
 4,268,741 A 5/1981 O'Brien
 4,374,318 A 2/1983 Gilliom
 4,484,063 A 11/1984 Whittenburg et al.
 4,509,412 A 4/1985 Whittenburg et al.
 4,591,698 A 5/1986 Chang
 4,728,762 A 3/1988 Roth et al.
 4,771,162 A 9/1988 Schatz
 4,848,217 A 7/1989 Koziol
 4,889,972 A 12/1989 Chang
 5,000,085 A 3/1991 Archer
 5,012,071 A 4/1991 Henke
 5,029,519 A 7/1991 Boyen
 5,031,519 A 7/1991 Toida et al.
 5,036,179 A 7/1991 Westerberg et al.
 5,048,400 A 9/1991 Ueda et al.
 5,092,229 A 3/1992 Chen
 5,105,725 A 4/1992 Haglund
 5,205,274 A 4/1993 Smith et al.
 5,251,542 A 10/1993 Itoh
 5,355,777 A 10/1994 Chen et al.
 5,416,950 A 5/1995 Dornbush et al.
 5,445,061 A 8/1995 Barradas
 5,485,780 A 1/1996 Koether et al.
 5,513,558 A 5/1996 Erickson et al.
 5,526,734 A 6/1996 Harrison
 5,549,039 A 8/1996 Ito et al.
 5,567,458 A 10/1996 Wu
 5,588,352 A 12/1996 Harrison
 5,590,583 A 1/1997 Harrison
 5,615,607 A 4/1997 Delaquis et al.
 5,619,983 A 4/1997 Smith
 5,632,403 A 5/1997 Deng
 D380,504 S * 7/1997 Yang D21/525
 5,649,476 A 7/1997 Montagnino et al.
 5,676,044 A 10/1997 Lara, Jr.
 5,699,722 A 12/1997 Erickson et al.
 5,740,721 A 4/1998 Bizard et al.
 5,768,976 A 6/1998 Suk
 5,839,357 A 11/1998 Ha et al.
 5,896,808 A 4/1999 Graur
 5,932,130 A 8/1999 Taino
 5,967,021 A 10/1999 Yung
 6,006,939 A 12/1999 Wai
 6,014,986 A 1/2000 Baumgarten
 6,019,029 A 2/2000 Chan
 6,023,050 A 2/2000 Violi
 6,060,698 A 5/2000 Petrides et al.
 6,066,837 A 5/2000 McCormick et al.
 6,067,896 A 5/2000 Elorza
 6,070,518 A 6/2000 Kao
 6,082,249 A 7/2000 Su
 6,083,543 A 7/2000 Kim et al.

6,097,016 A 8/2000 Hirata et al.
 6,104,004 A 8/2000 Ragland et al.
 6,105,808 A 8/2000 Mendonca
 6,116,151 A 9/2000 Fickert et al.
 6,125,737 A 10/2000 Chang
 6,135,012 A 10/2000 Kao
 6,135,013 A 10/2000 Barrena
 6,158,606 A 12/2000 Oliver
 6,173,643 B1 1/2001 Qian et al.
 6,178,876 B1 1/2001 Kao
 6,191,393 B1 2/2001 Park
 6,201,217 B1 3/2001 Moon et al.
 6,242,025 B1 6/2001 Lesky et al.
 6,252,206 B1 6/2001 Leukhardt, III et al.
 6,255,630 B1 7/2001 Barnes et al.
 6,257,124 B1 7/2001 Chen
 6,262,396 B1 7/2001 Witt et al.
 6,267,046 B1 7/2001 Wanat
 6,268,592 B1 7/2001 Hu et al.
 6,269,737 B1 8/2001 Rigney et al.
 6,271,504 B1 8/2001 Barritt
 6,283,014 B1 9/2001 Ng et al.
 6,283,015 B1 9/2001 Kwon et al.
 6,320,166 B1 11/2001 Park
 6,355,914 B1 3/2002 Stockley
 6,384,381 B2 5/2002 Witt et al.
 D458,078 S 6/2002 Lin
 6,399,925 B1 6/2002 Pickering et al.
 6,414,254 B1 7/2002 McNair
 6,425,320 B1 7/2002 Chameroy et al.
 6,450,085 B1 9/2002 Riesselman
 6,450,361 B1 9/2002 Mendelson et al.
 6,455,085 B1 9/2002 Duta
 6,467,645 B2 10/2002 Park
 6,486,453 B1 11/2002 Bales et al.
 6,494,337 B1 12/2002 Moroni
 6,509,550 B1 1/2003 Li
 6,513,420 B1 2/2003 Park
 6,523,459 B1 2/2003 Chameroy et al.
 6,528,772 B1 3/2003 Graves et al.
 6,540,097 B1 4/2003 Beck et al.
 6,545,252 B2 4/2003 Wang
 6,552,309 B1 4/2003 Kish et al.
 6,559,427 B1 5/2003 Barnes et al.
 6,565,903 B2 5/2003 Ng et al.
 6,573,483 B1 6/2003 Decobert et al.
 6,604,453 B2 8/2003 Niese
 6,615,706 B1 9/2003 Wu
 6,615,708 B1 9/2003 Lin
 6,631,824 B2 10/2003 Park
 6,669,047 B2 10/2003 Wooderson et al.
 6,648,162 B1 11/2003 Wooderson et al.
 6,617,554 B2 12/2003 Moon et al.
 6,657,167 B2 12/2003 Loveless
 6,695,319 B1 2/2004 Anota et al.
 D487,212 S 3/2004 Park
 6,698,337 B1 3/2004 Park
 6,705,209 B2 3/2004 Yang et al.
 6,723,963 B2 4/2004 Ronda
 6,730,881 B1 5/2004 Arntz et al.
 6,730,882 B2 5/2004 Atkinson
 6,730,889 B1 5/2004 Jones-Lawlor
 6,736,131 B2 5/2004 Yamamoto et al.
 6,740,855 B1 5/2004 Decobert et al.
 6,742,445 B2 6/2004 Backus et al.
 6,747,250 B1 6/2004 Cha
 6,755,319 B2 6/2004 Park
 6,758,132 B1 7/2004 Kuo et al.
 6,777,651 B1 8/2004 Boyer
 6,782,805 B2 8/2004 Backus et al.
 6,782,806 B2 8/2004 Backus et al.
 6,802,429 B1 10/2004 Wildman
 6,809,297 B2 10/2004 Moon et al.
 6,812,433 B1 11/2004 Barritt
 6,815,644 B1 11/2004 Muegge et al.
 6,831,254 B2 12/2004 Barritt
 6,837,150 B2 1/2005 Backus et al.
 6,841,762 B2 1/2005 Suzuki
 6,845,707 B1 1/2005 Xu et al.

(56)

References Cited

U.S. PATENT DOCUMENTS

6,851,351 B2	2/2005	Payen et al.	8,286,548 B2	10/2012	Krishnan et al.
6,872,921 B1	3/2005	Decobert et al.	8,299,404 B2	10/2012	Van Der Weij
6,874,408 B2	4/2005	Backus et al.	8,302,800 B2	11/2012	Hasegawa
6,877,633 B2	4/2005	Niese	8,304,695 B2	11/2012	Bonuso et al.
6,903,310 B1	6/2005	Lee	8,330,083 B2	12/2012	Moon et al.
6,917,017 B2	7/2005	Moon et al.	8,338,757 B2	12/2012	Isoda et al.
6,933,477 B2	8/2005	Becker et al.	8,378,265 B2	2/2013	Greenwood et al.
6,935,223 B2	8/2005	Kobayashi	8,381,712 B1	2/2013	Simms, II
6,936,795 B1	8/2005	Moon et al.	8,393,262 B1	3/2013	Molayem
6,936,801 B1	8/2005	Head	8,461,488 B2	6/2013	Jeong et al.
6,941,857 B2	9/2005	McLemore	8,517,205 B2	8/2013	Thelen
7,009,147 B1	3/2006	Schulte	8,544,381 B2	10/2013	Cartigny et al.
7,012,220 B2	3/2006	Boyer et al.	8,546,731 B2	10/2013	Pellerin et al.
7,012,221 B2	3/2006	Li	8,561,525 B2	10/2013	Bauchot et al.
7,021,203 B2	4/2006	Backus et al.	D693,643 S *	11/2013	Moon D7/402
7,021,204 B2	4/2006	Backus et al.	8,578,293 B2	11/2013	Breunig et al.
7,053,337 B2	5/2006	Ragan et al.	8,581,137 B2	11/2013	Egenter
7,060,943 B2	6/2006	Hwang	8,618,447 B2	12/2013	De'Longhi
7,081,601 B2	7/2006	Boyer et al.	8,637,797 B2	1/2014	Imura
7,082,871 B2	8/2006	Schultz	D699,514 S	2/2014	Lovley, II et al.
7,086,326 B2	8/2006	Yokoyama	8,640,908 B2	2/2014	Yang et al.
7,126,088 B2	10/2006	Horton et al.	8,674,270 B2	3/2014	Anderson et al.
7,148,451 B2	12/2006	Miyake et al.	8,689,680 B2	4/2014	Park
7,154,069 B1	12/2006	Gordon	8,709,905 B2	4/2014	Crayfound
7,156,087 B1	1/2007	Churchill et al.	8,714,391 B2	5/2014	Milanesi
7,157,675 B2	1/2007	Imura	8,726,792 B2	5/2014	Shealy et al.
7,166,822 B1	1/2007	Chang et al.	8,733,574 B2	5/2014	Heidrich et al.
D549,517 S *	8/2007	Moran D7/358	D707,078 S	6/2014	Rivera et al.
7,276,677 B1	10/2007	Shelton	8,739,690 B2	6/2014	Chameroy et al.
7,285,751 B2	10/2007	Li et al.	8,747,933 B1	6/2014	McGinn
D555,777 S	11/2007	Aveldson et al.	8,766,144 B2	7/2014	McLoughlin et al.
7,322,279 B2	1/2008	Cartigny et al.	8,777,038 B2	7/2014	Wen
7,322,280 B2	1/2008	Seurat Guiochet et al.	8,783,498 B2	7/2014	Li
7,325,481 B2	2/2008	Helm	8,783,947 B2	7/2014	Ferron et al.
7,368,688 B2	5/2008	Kim et al.	D710,647 S	8/2014	Mandil et al.
7,373,874 B2	5/2008	Seurat Guiochet et al.	8,800,803 B2	8/2014	Stellwag
7,377,208 B2	5/2008	Ho et al.	8,808,772 B2	8/2014	Lubrina et al.
7,411,159 B2	8/2008	Oosterling	8,813,989 B2	8/2014	Hoffmann et al.
7,412,922 B2	8/2008	McLemore	8,820,220 B2	9/2014	Thelen et al.
7,451,691 B2	11/2008	Robertson	8,847,129 B2	9/2014	Kim et al.
7,451,692 B2	11/2008	Baraille et al.	8,869,829 B2	10/2014	Hasegawa
7,468,495 B2	12/2008	Carbone et al.	8,887,939 B2	11/2014	Chameroy et al.
7,523,696 B2	4/2009	Seurat Guiochet et al.	D719,398 S	12/2014	Deters
D592,445 S	5/2009	Sorenson et al.	D720,571 S	1/2015	Deters
7,530,302 B2	5/2009	Stephanou	8,931,402 B2	1/2015	Chameroy et al.
7,565,862 B2	7/2009	Cartigny et al.	8,931,659 B2	1/2015	Rhetat et al.
7,605,349 B2	10/2009	Gaynor et al.	8,944,272 B2	2/2015	Chameroy et al.
D604,098 S	11/2009	Hamlin	8,944,273 B2	2/2015	Chameroy et al.
7,619,186 B2	11/2009	Cavada et al.	8,973,770 B2	3/2015	He et al.
7,624,674 B2	12/2009	Chameroy et al.	8,985,372 B2	3/2015	Yang et al.
7,637,206 B2	12/2009	Seurat Guiochet et al.	8,991,307 B2	3/2015	Grozinger et al.
7,669,521 B2	3/2010	Cartigny et al.	D727,095 S	4/2015	Bak
7,703,385 B2	4/2010	Seurat Guiochet et al.	9,018,566 B2	4/2015	Wang
7,718,928 B2	5/2010	He et al.	D728,301 S *	5/2015	Hack D7/368
7,726,508 B2	6/2010	Hasegawa	9,027,468 B2	5/2015	Rhetat et al.
7,762,420 B2	7/2010	Auwarter et al.	9,035,223 B2	5/2015	Noguchi et al.
7,766,003 B2	8/2010	Kim	9,055,618 B2	6/2015	Bunzel et al.
7,775,390 B2	8/2010	De Bastos Reis Portugal et al.	9,057,526 B2	6/2015	Barritt
7,800,022 B2	9/2010	Kim	D735,520 S	8/2015	Mandil
7,838,799 B2	11/2010	Freedman	D738,676 S	9/2015	Accoceberry
7,875,836 B2	1/2011	Imura et al.	9,119,501 B2	9/2015	Xie
7,935,914 B2	5/2011	Imura	9,125,513 B2	9/2015	Kim
7,964,824 B2	6/2011	Moon	9,138,106 B2	9/2015	Walker
7,968,824 B2	6/2011	Lee et al.	D743,201 S *	11/2015	Aderka D7/354
8,006,685 B2	8/2011	Bolton et al.	9,177,460 B2	11/2015	Fissler
8,011,293 B2	9/2011	McFadden et al.	9,191,998 B2	11/2015	Hegedis et al.
D651,456 S *	1/2012	Moon D7/402	9,220,362 B2	12/2015	Eades et al.
8,096,436 B2	1/2012	Rhetat et al.	9,237,829 B2	1/2016	Alet Vidal et al.
8,096,440 B2	1/2012	Rhetat et al.	D749,906 S	2/2016	Lee
8,205,543 B2	6/2012	Rhetat et al.	D750,421 S	3/2016	Ho
8,247,751 B2	8/2012	Jagannathan	9,271,595 B2	3/2016	Lee
D667,255 S *	9/2012	Reiner D7/354	9,295,354 B2	3/2016	Sloot et al.
8,258,435 B2	9/2012	Bonuso et al.	D754,469 S	4/2016	Deters
D669,730 S	10/2012	Mandil	9,301,644 B2	4/2016	Payen et al.
8,276,507 B1	10/2012	Walker	9,314,134 B2	4/2016	Molnar
			9,320,381 B2	4/2016	Chameroy et al.
			9,339,145 B1	5/2016	Owczarzak
			9,341,382 B2	5/2016	Kim
			9,351,495 B2	5/2016	McFadden

(56)

References Cited

U.S. PATENT DOCUMENTS

9,353,954 B2	5/2016	Linnewiel	D833,204 S	11/2018	Lee
9,414,713 B2	8/2016	Jinzhao	10,117,546 B2	11/2018	Le Grand
9,433,036 B2	8/2016	Kurtimoto et al.	10,123,656 B2	11/2018	Shanmugam
9,439,530 B2	9/2016	Logan et al.	10,130,205 B2	11/2018	Fung et al.
D769,058 S	10/2016	Lee	D834,889 S	12/2018	Moon et al.
9,456,713 B2	10/2016	Backaert et al.	10,154,750 B2	12/2018	Allemand et al.
9,470,423 B2	10/2016	Jacob et al.	D838,548 S	1/2019	Schutte
9,474,412 B2	10/2016	Fung et al.	D842,649 S	3/2019	Mishan
D770,221 S	11/2016	Lee	10,231,565 B2	3/2019	Song et al.
D772,648 S	11/2016	Palermo	D846,335 S *	4/2019	Yang D7/358
9,480,364 B2	11/2016	McKee et al.	10,244,883 B2	4/2019	Chameroy et al.
D774,350 S	12/2016	Mandil	10,390,656 B2 *	8/2019	Gill A47J 39/003
D774,356 S	12/2016	Maiorana et al.	2002/0179587 A1	12/2002	Hui
9,526,367 B2	12/2016	Anota et al.	2002/0185012 A1	12/2002	Yokoyama
9,585,509 B2	3/2017	Wassmus et al.	2003/0034027 A1	2/2003	Yamamoto et al.
9,596,954 B2	3/2017	Park	2003/0127447 A1	7/2003	Lin
9,615,691 B2	4/2017	Xiao	2004/0035845 A1	2/2004	Moon et al.
9,615,692 B2	4/2017	Hoffmann et al.	2004/0045446 A1	3/2004	Park
9,615,694 B2	4/2017	Yoshidome	2004/0055474 A1	3/2004	Lekic et al.
9,629,499 B2	4/2017	Kim	2004/0124197 A1	7/2004	Hasegawa
9,629,500 B2	4/2017	Chance	2004/0222208 A1	11/2004	Ko
9,636,618 B2	5/2017	Fung et al.	2005/0011370 A1	1/2005	Xu et al.
9,642,487 B1	5/2017	McGinn	2005/0034716 A1	2/2005	Harbin
9,648,975 B2	5/2017	Imura	2005/0089318 A1	4/2005	Lai et al.
9,648,985 B2	5/2017	Huang et al.	2005/0223906 A1	10/2005	Xu
9,681,770 B2	6/2017	Backaert et al.	2005/0284305 A1	12/2005	Angue
9,681,773 B2	6/2017	McKee et al.	2006/0081235 A1	4/2006	Lundh et al.
9,706,871 B2	7/2017	Matthijs	2007/0045284 A1	3/2007	Balk et al.
9,717,364 B2	8/2017	Sladeczek	2007/0095215 A1	5/2007	Ho et al.
9,737,936 B2	8/2017	Linglin et al.	2007/0125768 A1	6/2007	Kim et al.
9,750,089 B2	8/2017	Wiedemann et al.	2007/0158335 A1	7/2007	Mansbery
9,756,980 B1	9/2017	Li et al.	2007/0199557 A1	8/2007	Von Kaenel, Jr.
9,763,531 B2	9/2017	Baraille et al.	2007/0295221 A1	12/2007	Seurat Guiochet et al.
D801,106 S	10/2017	Mirchandani et al.	2008/0022861 A1	1/2008	Ferron
9,775,461 B2	10/2017	Yang et al.	2008/0078371 A1	4/2008	Boscaino
9,795,250 B2	10/2017	Huang	2008/0078755 A1	4/2008	Jeon et al.
9,801,491 B2	10/2017	Cohade et al.	2008/0083730 A1	4/2008	Dolgov et al.
D802,987 S *	11/2017	Corlay D7/358	2008/0095905 A1	4/2008	Sells et al.
9,814,355 B2	11/2017	Winter et al.	2008/0099008 A1	5/2008	Bolton et al.
9,841,261 B2	12/2017	Raghavan et al.	2008/0105137 A1	5/2008	Genslak et al.
9,854,932 B2	1/2018	Tiruvallur	2008/0142498 A1	6/2008	He et al.
9,854,941 B2	1/2018	Bonaccorso	2008/0163764 A1	7/2008	Payen et al.
9,861,231 B2	1/2018	Kim	2008/0206420 A1	8/2008	McFadden
9,867,234 B2	1/2018	Thomann et al.	2008/0213447 A1	9/2008	Payen et al.
9,872,582 B2	1/2018	Song et al.	2008/0223224 A1	9/2008	Martin
9,877,610 B2	1/2018	Bucher et al.	2008/0290090 A1	11/2008	Kindler et al.
D809,340 S	2/2018	Poon	2008/0314258 A1	12/2008	Martin
9,883,768 B2	2/2018	Starflinger	2009/0011101 A1	1/2009	Doherty et al.
9,888,811 B2	2/2018	Zwanenburg et al.	2009/0013988 A1	1/2009	Kim et al.
9,895,028 B2	2/2018	Gerard et al.	2009/0064868 A1	3/2009	Cartossi
9,900,936 B2	2/2018	Imm et al.	2009/0095166 A1	4/2009	Jian
9,909,764 B2	3/2018	Bach	2009/0134140 A1	5/2009	Vern Der Weij
9,924,830 B1	3/2018	Glucksman et al.	2009/0223380 A1	9/2009	Van Aken
D815,491 S	4/2018	Hollinger	2009/0223386 A1	9/2009	Edwards
9,930,990 B1	4/2018	Gupta et al.	2009/0250452 A1	10/2009	Tse
D817,697 S	5/2018	Zhao	2010/0089248 A1	4/2010	Jones
9,961,721 B2	5/2018	Guilleminot et al.	2010/0136194 A1	6/2010	Schutte
9,962,029 B2	5/2018	Baraille et al.	2010/0147159 A1	6/2010	Fossati
9,980,605 B2	5/2018	De Haas et al.	2010/0147824 A1	6/2010	Bonuso et al.
10,016,085 B2	7/2018	Sapire	2010/0206289 A1	8/2010	Larsen et al.
10,021,889 B2	7/2018	Vinett	2010/0282097 A1	11/2010	Schulte
10,034,578 B2	7/2018	Ahmed	2011/0003048 A1	1/2011	Sugimoto et al.
D824,717 S	8/2018	Allen	2011/0095015 A1	4/2011	Kao
D826,638 S	8/2018	Zhang	2011/0168158 A1	4/2011	Barkhouse
10,045,651 B2	8/2018	Huang	2011/0120319 A1	5/2011	Chang
10,051,986 B2	8/2018	Schultz et al.	2011/0126719 A1	6/2011	Valance
10,051,995 B2	8/2018	Buckley et al.	2011/0146653 A1	6/2011	Kitatani
10,057,946 B2	8/2018	Mills et al.	2011/0147376 A1	6/2011	Ueda et al.
10,058,210 B2	8/2018	Palermo	2011/0248020 A1	10/2011	Yuan
10,060,632 B2	8/2018	Lim et al.	2011/0268153 A1	11/2011	He et al.
10,064,518 B2	9/2018	Xiao et al.	2012/0003364 A1	1/2012	Kling et al.
10,076,206 B2	9/2018	Chameroy et al.	2012/0009317 A1	1/2012	McLemore
D832,023 S	10/2018	Barberi et al.	2012/0012584 A1	1/2012	Chameroy et al.
D832,030 S	10/2018	Veldeman	2012/0024164 A1	2/2012	Park et al.
10,088,371 B2	10/2018	Kaiser et al.	2012/0024169 A1	2/2012	Hsu
			2012/0040067 A1	2/2012	Baraille et al.
			2012/0048843 A1	3/2012	Feng et al.
			2012/0125313 A1	5/2012	Van Der Weij
			2012/0174797 A1	7/2012	Froza

(56)

References Cited

U.S. PATENT DOCUMENTS

2012/0181363 A1	7/2012	Huang	2016/0174749 A1	6/2016	Eades et al.
2012/0192726 A1	8/2012	Clearman et al.	2016/0174764 A1	6/2016	Xiao
2012/0217236 A1	8/2012	Takagi	2016/0174771 A1	6/2016	Benoit et al.
2012/0217252 A1	8/2012	Jung	2016/0183722 A1	6/2016	Fisher
2012/0222665 A1	9/2012	Ahmed	2016/0206139 A1	6/2016	Johnson
2012/0318149 A1	12/2012	Ahmed	2016/0206140 A1	6/2016	Johnson et al.
2013/0019759 A1	1/2013	Tumenbatur et al.	2016/0192808 A1	7/2016	Van Der Burg et al.
2013/0074702 A1	3/2013	Difante	2016/0198882 A1	7/2016	Linglin
2013/0092145 A1	4/2013	Murphy et al.	2016/0198883 A1*	7/2016	Wang A47J 27/08
2013/0104875 A1	5/2013	Schultz et al.			426/231
2013/0180413 A1	7/2013	Tjerkgaast et al.	2016/0206131 A1	7/2016	Chien
2013/0180986 A1	7/2013	He et al.	2016/0219653 A1	7/2016	Kim et al.
2013/0196038 A1	8/2013	Liu	2016/0220057 A1	8/2016	Smith et al.
2013/0255509 A1	10/2013	He et al.	2016/0235078 A1	8/2016	Farina et al.
2013/0276643 A1	10/2013	Krolick et al.	2016/0235239 A1	8/2016	Patadia
2013/0298781 A1	11/2013	Ganuza et al.	2016/0253080 A1	9/2016	Ban et al.
2013/0305933 A1	11/2013	Heidrich et al.	2016/0270596 A1	9/2016	Allemand et al.
2013/0333685 A1	12/2013	Jeong et al.	2016/0278563 A1	9/2016	Choudhary
2014/0021191 A1	1/2014	Moon et al.	2016/0278565 A1	9/2016	Chameroy et al.
2014/0083306 A1	3/2014	Lee	2016/0281994 A1	9/2016	Nuessler
2014/0083992 A1	3/2014	Linnewiel	2016/0309956 A1	10/2016	Glucksman
2014/0102315 A1	4/2014	Park	2016/0316525 A1	10/2016	Vainionpaa
2014/0157994 A1	6/2014	Ryan et al.	2016/0316968 A1	11/2016	Linglin
2014/0175085 A1	6/2014	Yang et al.	2016/0324359 A1	11/2016	Aboujassoum et al.
2014/0199459 A1	7/2014	Jackson et al.	2016/0327280 A1	11/2016	Smith et al.
2014/0201688 A1	7/2014	Guillemot et al.	2016/0345766 A1	12/2016	Sapire
2014/0220196 A1	8/2014	Veloo	2016/0353913 A1	12/2016	Chameroy et al.
2014/0227411 A1	8/2014	Popeil et al.	2016/0353914 A1	12/2016	Chameroy et al.
2014/0245898 A1	9/2014	Froza	2016/0353915 A1	12/2016	Chameroy et al.
2014/0251158 A1	9/2014	Yang et al.	2016/0353916 A1	12/2016	Chameroy et al.
2014/0318385 A1	10/2014	Kim	2016/0360922 A1	12/2016	Xiao et al.
2014/0318386 A1	10/2014	Kim	2016/0367061 A1	12/2016	Chou
2014/0318387 A1	10/2014	Kim	2016/0374510 A1	12/2016	Albizuri Landazabal
2014/0318388 A1	10/2014	Kim	2017/0000293 A1	1/2017	Sladeczek et al.
2014/0318389 A1	10/2014	Kim	2017/0020334 A1	1/2017	Sorenson et al.
2014/0322417 A1	10/2014	Kim	2017/0055770 A1	3/2017	Case
2014/0348987 A1	11/2014	Cheng et al.	2017/0065127 A1	3/2017	Bonaccorso
2014/0353316 A1	12/2014	Lin	2017/0071034 A1	3/2017	Metz
2014/0360384 A1	12/2014	Kim	2017/0079475 A1	3/2017	Buckley et al.
2014/0366746 A1	12/2014	Tsai	2017/0089590 A1	3/2017	Bruin-Slot et al.
2014/0370176 A1	12/2014	Imura et al.	2017/0099977 A1	4/2017	Liu
2014/0377417 A1	12/2014	Martinez	2017/0099984 A1	4/2017	Koetz
2015/0000535 A1	1/2015	Yoshidome et al.	2017/0099990 A1	4/2017	Magnouloux et al.
2015/0083107 A1	3/2015	Busch et al.	2017/0099995 A1	4/2017	Magnouloux
2015/0122137 A1	5/2015	Chang	2017/0119192 A1	5/2017	Sanserverino
2015/0136769 A1	5/2015	Quinn et al.	2017/0172335 A1	6/2017	Colas et al.
2015/0201788 A1	7/2015	Douma et al.	2017/0181564 A1	6/2017	He et al.
2015/0201806 A1	7/2015	Yoshidome	2017/0199658 A1	7/2017	Stoufer et al.
2015/0208845 A1	7/2015	Robbins et al.	2017/0231415 A1	8/2017	Cheng et al.
2015/0208858 A1	7/2015	Robbins et al.	2017/0231430 A1	8/2017	Moon et al.
2015/0223627 A1	8/2015	Li et al.	2017/0245674 A1	8/2017	Imura
2015/0226438 A1	8/2015	Ozyurt et al.	2017/0245683 A1	8/2017	Chen et al.
2015/0250187 A1	9/2015	Sakane et al.	2017/0245686 A1	8/2017	Man
2015/0292750 A1	10/2015	Delrue et al.	2017/0251872 A1	9/2017	Li et al.
2015/0305093 A1	10/2015	Smith et al.	2017/0251874 A1	9/2017	Sladeczek
2015/0313399 A1	11/2015	Park	2017/0280914 A1	10/2017	Kumar et al.
2015/0351578 A1	12/2015	Song et al.	2017/0290452 A1	10/2017	Guillaume et al.
2015/0366402 A1	12/2015	Wu et al.	2017/0295993 A1	10/2017	Li et al.
2016/0007644 A1	1/2016	Hack et al.	2017/0303740 A1	10/2017	Bonaccorso
2016/0007789 A1	1/2016	Tiruvallur	2017/0332823 A1	11/2017	Sanseverino
2016/0029829 A1	2/2016	Klein	2017/0360238 A1	12/2017	Bogazzi
2016/0033141 A1	2/2016	Rizzuto	2017/0360254 A1	12/2017	Muhr et al.
2016/0037955 A1	2/2016	Kim	2017/0360255 A1	12/2017	Karau
2016/0045067 A1	2/2016	Liao	2017/0367514 A1	12/2017	In 'T Groen et al.
2016/0051077 A1	2/2016	Sloot et al.	2017/0370595 A1	12/2017	Yang et al.
2016/0051078 A1	2/2016	Jenkins et al.	2018/0000285 A1	1/2018	Backus et al.
2016/0051086 A1	2/2016	De' Longhi	2018/0007744 A1	1/2018	Nonaka et al.
2016/0081509 A1	3/2016	Delrue et al.	2018/0028017 A1	2/2018	Wu
2016/0100707 A1	4/2016	Huang	2018/0035698 A1	2/2018	McNerney et al.
2016/0100713 A1	4/2016	De Haas et al.	2018/0073739 A1	3/2018	Dumenil
2016/0113442 A1	4/2016	De Haas et al.	2018/0078089 A1	3/2018	Sauer et al.
2016/0120363 A1	5/2016	Zwanenburg et al.	2018/0103796 A1	4/2018	Park
2016/0120364 A1	5/2016	De Haas et al.	2018/0110355 A1	4/2018	Huang et al.
2016/0123660 A1	5/2016	Peng	2018/0116264 A1	5/2018	De Winter et al.
2016/0165676 A1	6/2016	Imm et al.	2018/0116438 A1	5/2018	He et al.
			2018/0125293 A1	5/2018	McNerney et al.
			2018/0125294 A1	5/2018	Conte et al.
			2018/0140126 A1	5/2018	Van Dillen
			2018/0143086 A1	5/2018	Stoufer et al.

(56)

References Cited

U.S. PATENT DOCUMENTS

2018/0153329 A1 6/2018 Glucksman et al.
 2018/0160840 A1 6/2018 De' Longhi
 2018/0160849 A1 6/2018 Hebert, Jr. et al.
 2018/0177322 A1 6/2018 Kim
 2018/0177343 A1 6/2018 Bonaccorso
 2018/0184843 A1 7/2018 Kim et al.
 2018/0184848 A1 7/2018 De' Longhi
 2018/0192825 A1 7/2018 Popeil et al.
 2018/0199756 A1 7/2018 Huang
 2018/0206672 A1 7/2018 Grace et al.
 2018/0206677 A1 7/2018 Ivarsson et al.
 2018/0220498 A1 8/2018 Jeon et al.
 2018/0220842 A1 8/2018 Delrue et al.
 2018/0228318 A1 8/2018 Zwanenburg et al.
 2018/0238560 A1 8/2018 Deng et al.
 2018/0255967 A1 9/2018 Haas et al.
 2018/0255971 A1 9/2018 Moon et al.
 2018/0263084 A1 9/2018 Yoshino et al.
 2018/0266697 A1 9/2018 Dash et al.
 2018/0271321 A1 9/2018 Delrue et al.
 2018/0271323 A1 9/2018 Zhang et al.
 2018/0279832 A1 10/2018 Ohta et al.
 2018/0289212 A1 10/2018 Sladeczek et al.
 2018/0296019 A1 10/2018 Kim et al.
 2018/0303285 A1 10/2018 Cheng
 2018/0317691 A1 11/2018 Huang
 2018/0317692 A1 11/2018 Huang
 2018/0317693 A1 11/2018 Huang
 2018/0325313 A1* 11/2018 De' Longhi A47J 37/0641
 2018/0325318 A1 11/2018 De' Longhi et al.
 2018/0325322 A1 11/2018 De'Longhi et al.
 2018/0333004 A1 11/2018 De' Longhi et al.
 2018/0333005 A1 11/2018 Fritz et al.
 2018/0344085 A1 12/2018 Dutter
 2018/0347829 A1 12/2018 Martini et al.
 2018/0353007 A1 12/2018 Eberhart et al.
 2018/0353010 A1 12/2018 Delrue et al.
 2018/0359823 A1 12/2018 Shin et al.
 2019/0000267 A1 1/2019 Li et al.
 2019/0008316 A1 1/2019 Kim et al.
 2019/0021142 A1 1/2019 Mizuta et al.
 2019/0045964 A1 2/2019 Gill et al.
 2019/0045973 A1* 2/2019 Gill A47J 37/0641
 2019/0053521 A1 2/2019 Tian et al.
 2019/0059647 A1 2/2019 Floessholzer
 2019/0069719 A1 3/2019 Huang et al.
 2019/0082876 A1 3/2019 Shi et al.

FOREIGN PATENT DOCUMENTS

CN 2389593 Y 8/2000
 CN 2450993 Y 10/2001
 CN 2469839 Y 1/2002
 CN 2479871 Y 3/2002
 CN 1139352 C 2/2004
 CN 1148142 C 5/2004
 CN 1158963 C 7/2004
 CN 2719176 y 8/2005
 CN 1883351 A 12/2006
 CN 2855256 Y 1/2007
 CN 2904903 Y 5/2007
 CN 1981682 A 6/2007
 CN 1985727 A 6/2007
 CN 1989884 A 7/2007
 CN 100998476 A 7/2007
 CN 101023842 A 8/2007
 CN 101053485 A 10/2007
 CN 200987595 Y 12/2007
 CN 101099635 A 1/2008
 CN 101108064 A 1/2008
 CN 101112291 A 1/2008
 CN 101112292 A 1/2008
 CN 101112293 A 1/2008
 CN 101142448 A 3/2008
 CN 101185556 A 5/2008

CN 100401957 C 7/2008
 CN 101209179 A 7/2008
 CN 101209180 A 7/2008
 CN 201079267 Y 7/2008
 CN 100425186 C 10/2008
 CN 100428906 C 10/2008
 CN 101273834 A 10/2008
 CN 201139427 Y 10/2008
 CN 101322614 A 12/2008
 CN 201197609 Y 2/2009
 CN 100464682 C 3/2009
 CN 100469289 C 3/2009
 CN 201207144 Y 3/2009
 CN 101432608 A 5/2009
 CN 101438929 A 5/2009
 CN 100496350 C 6/2009
 CN 100522018 C 8/2009
 CN 100531628 C 8/2009
 CN 100534363 C 9/2009
 CN 101518409 A 9/2009
 CN 100559999 C 11/2009
 CN 201365839 Y 12/2009
 CN 100588351 C 2/2010
 CN 101669761 A 3/2010
 CN 101766443 A 7/2010
 CN 101791190 A 8/2010
 CN 101828856 A 9/2010
 CN 101856086 A 10/2010
 CN 201602600 U 10/2010
 CN 201624512 U 11/2010
 CN 101936550 A 1/2011
 CN 101940273 A 1/2011
 CN 101420893 B 2/2011
 CN 101977536 A 2/2011
 CN 201888709 U 7/2011
 CN 201929758 U 8/2011
 CN 201948771 U 8/2011
 CN 102178445 A 9/2011
 CN 102178464 A 9/2011
 CN 201958652 U 9/2011
 CN 101305890 b 11/2011
 CN 102240164 A 11/2011
 CN 102307500 A 1/2012
 CN 102313306 A 2/2012
 CN 102349791 A 2/2012
 CN 202151310 U 2/2012
 CN 102368936 A 3/2012
 CN 202184614 U 4/2012
 CN 101692958 B 5/2012
 CN 202207075 U 5/2012
 CN 202234720 U 5/2012
 CN 202234761 U 5/2012
 CN 202312886 U 7/2012
 CN 102670079 A 9/2012
 CN 202408428 U 9/2012
 CN 202408455 U 9/2012
 CN 102755120 A 10/2012
 CN 102824120 A 12/2012
 CN 202619362 U 12/2012
 CN 102100481 B 1/2013
 CN 102883641 A 1/2013
 CN 202636678 U 1/2013
 CN 103006045 A 4/2013
 CN 103006092 A 4/2013
 CN 202858889 U 4/2013
 CN 103142128 A 6/2013
 CN 103142151 A 6/2013
 CN 103169371 A 6/2013
 CN 103179884 A 6/2013
 CN 202960194 U 6/2013
 CN 202981682 U 6/2013
 CN 203000535 U 6/2013
 CN 103188947 A 7/2013
 CN 103188970 A 7/2013
 CN 103220947 A 7/2013
 CN 103222807 A 7/2013
 CN 203041954 U 7/2013
 CN 203041955 U 7/2013
 CN 102342739 B 8/2013

(56)

References Cited

FOREIGN PATENT DOCUMENTS

CN	203122175	U	8/2013	CN	204743846	U	11/2015
CN	103299132	A	9/2013	CN	204765197	U	11/2015
CN	203195497	U	9/2013	CN	204797615	U	11/2015
CN	203195499	U	9/2013	CN	204797616	U	11/2015
CN	103375826	A	10/2013	CN	103813738	B	12/2015
CN	203234602	U	10/2013	CN	105105624	A	12/2015
CN	203234613	U	10/2013	CN	105105626	A	12/2015
CN	102319018	B	11/2013	CN	105167591	B	12/2015
CN	203302862	U	11/2013	CN	105167592	A	12/2015
CN	103445669	A	12/2013	CN	105193301	A	12/2015
CN	102397005	B	1/2014	CN	204839219	U	12/2015
CN	103491830	A	1/2014	CN	204889693	U	12/2015
CN	203407931	U	1/2014	CN	105212693	B	1/2016
CN	103649643	A	3/2014	CN	105212730	A	1/2016
CN	103750730	A	4/2014	CN	105231811	A	1/2016
CN	203539138	U	4/2014	CN	105231812	A	1/2016
CN	203597772	U	5/2014	CN	105231813	A	1/2016
CN	203615383	U	5/2014	CN	105266565	A	1/2016
CN	203634023	U	6/2014	CN	105266577	A	1/2016
CN	203647141	U	6/2014	CN	204995259	U	1/2016
CN	203662545	U	6/2014	CN	105286496	A	2/2016
CN	103892696	A	7/2014	CN	105286498	A	2/2016
CN	103948308	A	7/2014	CN	105286627	A	2/2016
CN	203693372	U	7/2014	CN	105326332	A	2/2016
CN	203723888	U	7/2014	CN	105342454	A	2/2016
CN	104000478	A	8/2014	CN	205018878	U	2/2016
CN	203762926	U	8/2014	CN	105380512	A	3/2016
CN	203776718	U	8/2014	CN	105380513	A	3/2016
CN	203776719	U	8/2014	CN	105380514	A	3/2016
CN	203776729	U	8/2014	CN	105411378	A	3/2016
CN	203828675	U	9/2014	CN	105411379	A	3/2016
CN	203873602	U	10/2014	CN	105433778	A	3/2016
CN	203885286	U	10/2014	CN	105433779	A	3/2016
CN	203953373	U	11/2014	CN	105451610	A	3/2016
CN	203970073	U	12/2014	CN	105455628	A	4/2016
CN	203970160	U	12/2014	CN	105455664	A	4/2016
CN	203987492	U	12/2014	CN	105455671	A	4/2016
CN	203987520	U	12/2014	CN	105476461	A	4/2016
CN	203987550	U	12/2014	CN	105476464	A	4/2016
CN	203987551	U	12/2014	CN	105476472	A	4/2016
CN	204016055	U	12/2014	CN	105476491	A	4/2016
CN	204016056	U	12/2014	CN	105496184	A	4/2016
CN	204049362	U	12/2014	CN	105496185	A	4/2016
CN	204091768	U	1/2015	CN	105496224	A	4/2016
CN	104323708	A	2/2015	CN	205126014	U	4/2016
CN	104367182	A	2/2015	CN	105534269	A	5/2016
CN	204133165	U	2/2015	CN	105559571	A	5/2016
CN	204133291	U	2/2015	CN	105595792	A	5/2016
CN	204158183	U	2/2015	CN	105595803	A	5/2016
CN	104433841	A	3/2015	CN	205197727	U	5/2016
CN	204192406	U	3/2015	CN	205214967	U	5/2016
CN	104490294	A	4/2015	CN	205215045	U	5/2016
CN	102917623	B	5/2015	CN	102440681	B	6/2016
CN	104613515	A	5/2015	CN	102783908	B	6/2016
CN	104622274	A	5/2015	CN	103648337	B	6/2016
CN	104676681	A	6/2015	CN	105615638	A	6/2016
CN	104688019	A	6/2015	CN	105615639	A	6/2016
CN	104706212	A	6/2015	CN	105615686	A	6/2016
CN	104754992	A	7/2015	CN	105640299	A	6/2016
CN	104757872	A	7/2015	CN	105640302	A	6/2016
CN	104814665	A	8/2015	CN	105640309	A	6/2016
CN	104856561	A	8/2015	CN	105640351	A	6/2016
CN	104856563	A	8/2015	CN	105662112	A	6/2016
CN	204580991	U	8/2015	CN	105662125	A	6/2016
CN	104873098	A	9/2015	CN	105662126	A	6/2016
CN	104887063	A	9/2015	CN	105662127	A	6/2016
CN	204636063	U	9/2015	CN	105708312	A	6/2016
CN	104983318	A	10/2015	CN	205322075	U	6/2016
CN	104997394	A	10/2015	CN	104605727	B	7/2016
CN	204697804	U	10/2015	CN	105725730	A	7/2016
CN	105011741	A	11/2015	CN	105725829	A	7/2016
CN	105030035	A	11/2015	CN	105768859	A	7/2016
CN	105054772	B	11/2015	CN	105768860	A	7/2016
CN	105054773	B	11/2015	CN	103908166	B	8/2016
CN	204734374	U	11/2015	CN	105816023	A	8/2016
				CN	105832176	A	8/2016
				CN	105852667	A	8/2016
				CN	105852668	A	8/2016
				CN	105902144	A	8/2016

(56)

References Cited

FOREIGN PATENT DOCUMENTS

CN	105902150	A	8/2016	CN	106974548	A	7/2017
CN	205410811	U	8/2016	CN	106983360	A	7/2017
CN	205425108	U	8/2016	CN	107019418	A	8/2017
CN	205433281	U	8/2016	CN	107019419	A	8/2017
CN	205433317	U	8/2016	CN	107019420	A	8/2017
CN	205433320	U	8/2016	CN	107019423	A	8/2017
CN	105919411	A	9/2016	CN	107048976	A	8/2017
CN	105919417	A	9/2016	CN	107048991	A	8/2017
CN	105935244	A	9/2016	CN	107048993	A	8/2017
CN	105935258	A	9/2016	CN	107105914	A	8/2017
CN	105972653	A	9/2016	CN	104334066	B	9/2017
CN	205568641	U	9/2016	CN	107136910	A	9/2017
CN	205568772	U	9/2016	CN	107136911	A	9/2017
CN	205597052	U	9/2016	CN	107149395	A	9/2017
CN	105982529	A	10/2016	CN	107149398	A	9/2017
CN	105996737	A	10/2016	CN	105142473	B	10/2017
CN	105996752	A	10/2016	CN	107224188	A	10/2017
CN	105996753	A	10/2016	CN	107224197	A	10/2017
CN	106037448	A	10/2016	CN	107232962	A	10/2017
CN	106037457	A	10/2016	CN	107259978	A	10/2017
CN	106037458	A	10/2016	CN	107290094	A	10/2017
CN	106073481	A	11/2016	CN	107296485	A	10/2017
CN	106073517	A	11/2016	CN	107296486	A	10/2017
CN	106108627	A	11/2016	CN	107296487	A	10/2017
CN	106108631	A	11/2016	CN	107296488	A	10/2017
CN	106166030	A	11/2016	CN	107296489	A	10/2017
CN	205671926	U	11/2016	CN	107296490	A	10/2017
CN	205671927	U	11/2016	CN	107296493	A	10/2017
CN	106175412	A	12/2016	CN	107296494	A	10/2017
CN	106175476	A	12/2016	CN	104643954	B	11/2017
CN	106213979	A	12/2016	CN	107307729	A	11/2017
CN	106235878	A	12/2016	CN	107307730	A	11/2017
CN	205831665	U	12/2016	CN	107361637	A	11/2017
CN	106264085	A	1/2017	CN	107397431	A	11/2017
CN	106264095	A	1/2017	CN	107411540	A	12/2017
CN	106343895	A	1/2017	CN	107440490	A	12/2017
CN	205860134	U	1/2017	CN	107468052	A	12/2017
CN	106377158	A	2/2017	CN	107495849	A	12/2017
CN	106377159	A	2/2017	CN	107495856	A	12/2017
CN	106388565	A	2/2017	CN	107510356	A	12/2017
CN	106388572	A	2/2017	CN	107510379	A	12/2017
CN	106419486	A	2/2017	CN	206687606	U	12/2017
CN	106419521	A	2/2017	CN	106213986	B	1/2018
CN	106419524	A	2/2017	CN	107550258	A	1/2018
CN	102805554	B	3/2017	CN	107616686	A	1/2018
CN	106473623	A	3/2017	CN	107647763	A	2/2018
CN	106490967	A	3/2017	CN	107647769	A	2/2018
CN	106510449	A	3/2017	CN	107647771	A	2/2018
CN	206026100	U	3/2017	CN	107647772	A	2/2018
CN	206044349	U	3/2017	CN	107647777	A	2/2018
CN	106551617	A	4/2017	CN	107660996	A	2/2018
CN	106580074	A	4/2017	CN	107660997	A	2/2018
CN	206062888	U	4/2017	CN	107684336	A	2/2018
CN	206102391	U	4/2017	CN	107684337	A	2/2018
CN	206119969	U	4/2017	CN	107684338	A	2/2018
CN	106618154	A	5/2017	CN	107684339	A	2/2018
CN	106667244	A	5/2017	CN	107684340	A	2/2018
CN	106691171	A	5/2017	CN	107684341	A	2/2018
CN	206166726	U	5/2017	CN	107684342	A	2/2018
CN	106805744	A	6/2017	CN	107692806	A	2/2018
CN	106805746	A	6/2017	CN	107702838	A	2/2018
CN	106805747	A	6/2017	CN	107713732	A	2/2018
CN	106805749	A	6/2017	CN	107713733	A	2/2018
CN	106805750	A	6/2017	CN	107713734	A	2/2018
CN	106805752	A	6/2017	CN	107726388	A	2/2018
CN	106820951	A	6/2017	CN	106419522	B	3/2018
CN	106820954	A	6/2017	CN	107752726	A	3/2018
CN	106821017	A	6/2017	CN	107752748	A	3/2018
CN	106852641	A	6/2017	CN	107752751	A	3/2018
CN	106859298	A	6/2017	CN	107752788	A	3/2018
CN	106913201	A	7/2017	CN	107773021	A	3/2018
CN	106923655	A	7/2017	CN	107773026	A	3/2018
CN	106943000	A	7/2017	CN	107773029	A	3/2018
CN	106943002	A	7/2017	CN	107773090	A	3/2018
CN	106955017	A	7/2017	CN	107788820	A	3/2018
				CN	107788827	A	3/2018
				CN	107811499	A	3/2018
				CN	107811517	A	3/2018
				CN	107811518	A	3/2018

(56)

References Cited

FOREIGN PATENT DOCUMENTS

CN	107822492	A	3/2018	CN	108497918	A	9/2018
CN	107822494	A	3/2018	CN	108497942	A	9/2018
CN	107822496	A	3/2018	CN	108523647	A	9/2018
CN	107836981	A	3/2018	CN	108523649	A	9/2018
CN	107836986	A	3/2018	CN	108552969	A	9/2018
CN	107836988	A	3/2018	CN	108552989	A	9/2018
CN	207084680	U	3/2018	CN	108567309	A	9/2018
CN	107874584	A	4/2018	CN	108567321	A	9/2018
CN	107874599	A	4/2018	CN	108567322	A	9/2018
CN	107874601	A	4/2018	CN	108577514	A	9/2018
CN	107874602	A	4/2018	CN	106264094	B	10/2018
CN	107898351	A	4/2018	CN	108606627	A	10/2018
CN	107928388	A	4/2018	CN	108618592	A	10/2018
CN	107928395	A	4/2018	CN	108618593	A	10/2018
CN	107951369	A	4/2018	CN	108618594	A	10/2018
CN	107951376	A	4/2018	CN	108618595	A	10/2018
CN	107951407	A	4/2018	CN	108618597	A	10/2018
CN	107969907	A	5/2018	CN	108618651	A	10/2018
CN	107969908	A	5/2018	CN	108634771	A	10/2018
CN	107981713	A	5/2018	CN	108634777	A	10/2018
CN	107997571	A	5/2018	CN	108634807	A	10/2018
CN	108013742	A	5/2018	CN	108652431	A	10/2018
CN	108013743	A	5/2018	CN	108652432	A	10/2018
CN	108030404	A	5/2018	CN	108670021	A	10/2018
CN	108041976	A	5/2018	CN	108670023	A	10/2018
CN	108095570	A	6/2018	CN	108703644	A	10/2018
CN	108113501	A	6/2018	CN	108703645	A	10/2018
CN	108143256	A	6/2018	CN	108703675	A	10/2018
CN	108143259	A	6/2018	CN	106580073	B	11/2018
CN	108143260	A	6/2018	CN	108720548	A	11/2018
CN	108143261	A	6/2018	CN	108720577	A	11/2018
CN	108143262	A	6/2018	CN	108720581	A	11/2018
CN	108143263	A	6/2018	CN	108720584	A	11/2018
CN	108143264	A	6/2018	CN	108720585	A	11/2018
CN	108158429	A	6/2018	CN	108720586	A	11/2018
CN	108209547	A	6/2018	CN	108720633	A	11/2018
CN	104207651	B	7/2018	CN	108732958	A	11/2018
CN	106175423	A	7/2018	CN	108771466	A	11/2018
CN	108244994	A	7/2018	CN	108784323	A	11/2018
CN	108244995	A	7/2018	CN	108784324	A	11/2018
CN	108244997	A	7/2018	CN	108784330	A	11/2018
CN	108244998	A	7/2018	CN	108784401	A	11/2018
CN	108244999	A	7/2018	CN	108814274	A	11/2018
CN	108245000	A	7/2018	CN	108836104	A	11/2018
CN	108261055	A	7/2018	CN	108836105	A	11/2018
CN	108261056	A	7/2018	CN	108836107	A	11/2018
CN	108261061	A	7/2018	CN	108836108	A	11/2018
CN	108272336	A	7/2018	CN	108836131	A	11/2018
CN	108272338	A	7/2018	CN	108851966	A	11/2018
CN	108294616	A	7/2018	CN	108851969	A	11/2018
CN	108309035	A	7/2018	CN	108888087	A	11/2018
CN	108324096	A	7/2018	CN	108888099	A	11/2018
CN	106388570	B	8/2018	CN	108903620	A	11/2018
CN	106419517	B	8/2018	CN	108903621	A	11/2018
CN	108354444	A	8/2018	CN	106419520	B	12/2018
CN	108354466	A	8/2018	CN	106419526	B	12/2018
CN	108378678	A	8/2018	CN	108926239	A	12/2018
CN	108378690	A	8/2018	CN	108926249	A	12/2018
CN	108402888	A	8/2018	CN	108937520	A	12/2018
CN	108402889	A	8/2018	CN	108937525	A	12/2018
CN	108402920	A	8/2018	CN	108937556	A	12/2018
CN	108420304	A	8/2018	CN	108937558	A	12/2018
CN	108433517	A	8/2018	CN	108937559	A	12/2018
CN	108433529	A	8/2018	CN	108937560	A	12/2018
CN	108451351	A	8/2018	CN	108955959	A	12/2018
CN	108451388	A	8/2018	CN	108968659	A	12/2018
CN	108464732	A	8/2018	CN	108968660	A	12/2018
CN	207754989	U	8/2018	CN	108968662	A	12/2018
CN	207755036	U	8/2018	CN	108968663	A	12/2018
CN	106539491	B	9/2018	CN	108968667	A	12/2018
CN	107019415	B	9/2018	CN	108968668	A	12/2018
CN	107019416	B	9/2018	CN	108968669	A	12/2018
CN	108477987	A	9/2018	CN	108991918	A	12/2018
CN	108497908	A	9/2018	CN	108991919	A	12/2018
CN	108497914	A	9/2018	CN	109008595	A	12/2018
				CN	109008598	A	12/2018
				CN	208259529	U	12/2018
				CN	106562666	B	1/2019
				CN	106606293	B	1/2019

(56)

References Cited

FOREIGN PATENT DOCUMENTS

CN	106724784	B	1/2019	WO	2017179804	A1	10/2017
CN	106820956	B	1/2019	WO	2017191377	A1	11/2017
CN	106820957	B	1/2019	WO	2017191395	A1	11/2017
CN	107019417	B	1/2019	WO	2017195777	A1	11/2017
CN	109247837	A	1/2019	WO	2017197482	A1	11/2017
CN	106388566	B	3/2019	WO	2017198815	A1	11/2017
CN	107174116	B	3/2019	WO	2017198848	A1	11/2017
CN	107174117	B	3/2019	WO	2017201530	A1	11/2017
CN	109393957	A	3/2019	WO	2017202641	A1	11/2017
CN	105640308	A	6/2019	WO	2017209465	A1	12/2017
EP	1767860	A1	3/2007	WO	2017211045	A1	12/2017
JP	2014200627	A	10/2014	WO	2017213330	A2	12/2017
JP	2014204770	A	10/2014	WO	2017213423	A1	12/2017
WO	8911773	A1	11/1989	WO	2017215926	A1	12/2017
WO	9837796	A1	9/1998	WO	2017215988	A1	12/2017
WO	9952328	A1	10/1999	WO	2018004226	A1	1/2018
WO	0044096		7/2000	WO	2018007218	A1	1/2018
WO	0049839	A1	8/2000	WO	2018014806	A1	1/2018
WO	2006122643	A1	11/2006	WO	2018015695	A1	1/2018
WO	2009043812	A1	4/2009	WO	2017077571	A1	2/2018
WO	2015006891	A1	1/2015	WO	2018018670	A1	2/2018
WO	2015028940	A1	3/2015	WO	2018023863	A1	2/2018
WO	2015081549	A1	6/2015	WO	2018024781	A1	2/2018
WO	2016007002	A1	1/2016	WO	2018024782	A1	2/2018
WO	2016028549	A1	2/2016	WO	2018024783	A1	2/2018
WO	2016091063	A1	6/2016	WO	2018026041	A1	2/2018
WO	2016141009	A1	9/2016	WO	2018026906	A1	2/2018
WO	2016148492	A1	9/2016	WO	2018026928	A1	2/2018
WO	2016154114	A1	9/2016	WO	2018032540	A1	2/2018
WO	2016165198	A1	10/2016	WO	2018032541	A1	2/2018
WO	2016171385	A1	10/2016	WO	2018032542	A1	2/2018
WO	2016182975	A1	11/2016	WO	2018032589	A1	2/2018
WO	2016189440		12/2016	WO	2018032648	A1	2/2018
WO	2016193008	A1	12/2016	WO	2018037177	A1	3/2018
WO	2016193643	A1	12/2016	WO	2018040250	A1	3/2018
WO	2017005533	A1	1/2017	WO	2018041536	A1	3/2018
WO	2017039091	A1	3/2017	WO	2018045643	A1	3/2018
WO	2017045387	A1	3/2017	WO	2018050520	A1	3/2018
WO	2017049635	A1	3/2017	WO	2018050838	A1	3/2018
WO	2017049717	A1	3/2017	WO	2018058384	A1	4/2018
WO	2017050693	A2	3/2017	WO	2018058569	A1	4/2018
WO	2017063872	A1	4/2017	WO	2018058740	A1	4/2018
WO	2017072068	A1	5/2017	WO	2018059994	A1	4/2018
WO	2017074119	A1	5/2017	WO	2018060260	A1	4/2018
WO	2017076797	A1	5/2017	WO	2018060273	A1	4/2018
WO	2017081420	A1	5/2017	WO	2018060331	A1	4/2018
WO	2017085026	A1	5/2017	WO	2018065424	A1	4/2018
WO	2017085671	A1	5/2017	WO	2018068376	A1	4/2018
WO	2017085673	A1	5/2017	WO	2018068425	A1	4/2018
WO	2017086543	A1	5/2017	WO	2018068976	A1	4/2018
WO	2017092062	A1	6/2017	WO	2018076164	A1	5/2018
WO	2017092063	A1	6/2017	WO	2018076166	A1	5/2018
WO	2017094968	A1	6/2017	WO	2018076415	A1	5/2018
WO	2017097790	A1	6/2017	WO	2018082131	A1	5/2018
WO	2017104892	A1	6/2017	WO	2018090287	A1	5/2018
WO	2017104894	A1	6/2017	WO	2018093004	A1	5/2018
WO	2017104895	A1	6/2017	WO	2018095247	A1	5/2018
WO	2017104896	A1	6/2017	WO	2018095420	A1	5/2018
WO	2017104898	A1	6/2017	WO	2018095949	A1	5/2018
WO	2017104900	A1	6/2017	WO	2018120561	A1	5/2018
WO	2017105076	A2	6/2017	WO	2017104893	A1	6/2018
WO	2017111425	A1	6/2017	WO	2018099233	A1	6/2018
WO	2017121691	A1	7/2017	WO	2018102128	A1	6/2018
WO	2017127655	A1	7/2017	WO	2018107522	A1	6/2018
WO	2017144795	A1	8/2017	WO	2018107973	A1	6/2018
WO	2017149519	A1	9/2017	WO	2018116056	A1	6/2018
WO	2017152518	A1	9/2017	WO	2018116057	A1	6/2018
WO	2017153360	A1	9/2017	WO	2018121166	A1	7/2018
WO	2017158068	A1	9/2017	WO	2018121199	A1	7/2018
WO	2017166317	A1	10/2017	WO	2018133993	A1	7/2018
WO	2017177007	A1	10/2017	WO	2018137832	A1	8/2018
WO	2017177423	A1	10/2017	WO	2018140954	A1	8/2018
WO	2017178229	A1	10/2017	WO	2018147640	A1	8/2018
WO	2017178650	A1	10/2017	WO	2018165698	A1	9/2018
WO	2017178739	A1	10/2017	WO	2018197720	A1	11/2018
				WO	2018207221	A1	11/2018
				WO	2018220659	A1	12/2018

(56)

References Cited

FOREIGN PATENT DOCUMENTS

WO	2018223713	A1	12/2018
WO	2019032876	A1	2/2019
WO	2019032878	A1	2/2019

OTHER PUBLICATIONS

Notification of Transmittal of the International Search Report of the International Searching Authority, or the Declaration. PCT/US2018/046077, dated Dec. 19, 2018, 7 pages.

Notification of Transmittal of the International Search Report of the International Searching Authority, or the Declaration; PCT/US2018/046079; dated Jan. 2, 2019, 7 pages.

Notification of Transmittal of the Written Opinion of the International Searching Authority, or the Declaration. PCT/US2018/046077, dated Dec. 19, 2018, 10 pages.

Notification of Transmittal of the Written Opinion of the International Searching Authority, or the Declaration; PCT/US2018/046079; Jan. 2, 2019, 10 pages.

WO2018122652A1; Jul. 5, 2018; English Abstract Only (3 Pages).

Gill et al.; U.S. Appl. No. 16/059,876, filed Aug. 9, 2018; Cooking Device and Components Thereof.

Gill et al.; U.S. Appl. No. 16/059,874, filed Aug. 9, 2018; Cooking Device and Components Thereof.

Gill et al.; Design U.S. Appl. No. 29/653,847, filed Jun. 19, 2018; Air Diffuser and Air Diffuser With Food Preparation Pot.

U.S. Appl. No. 29/660,495, filed Aug. 21, 2018, Food Preparation Device and Parts Thereof; Notice of Allowance dated Oct. 25, 2019; pp. 1-9.

* cited by examiner

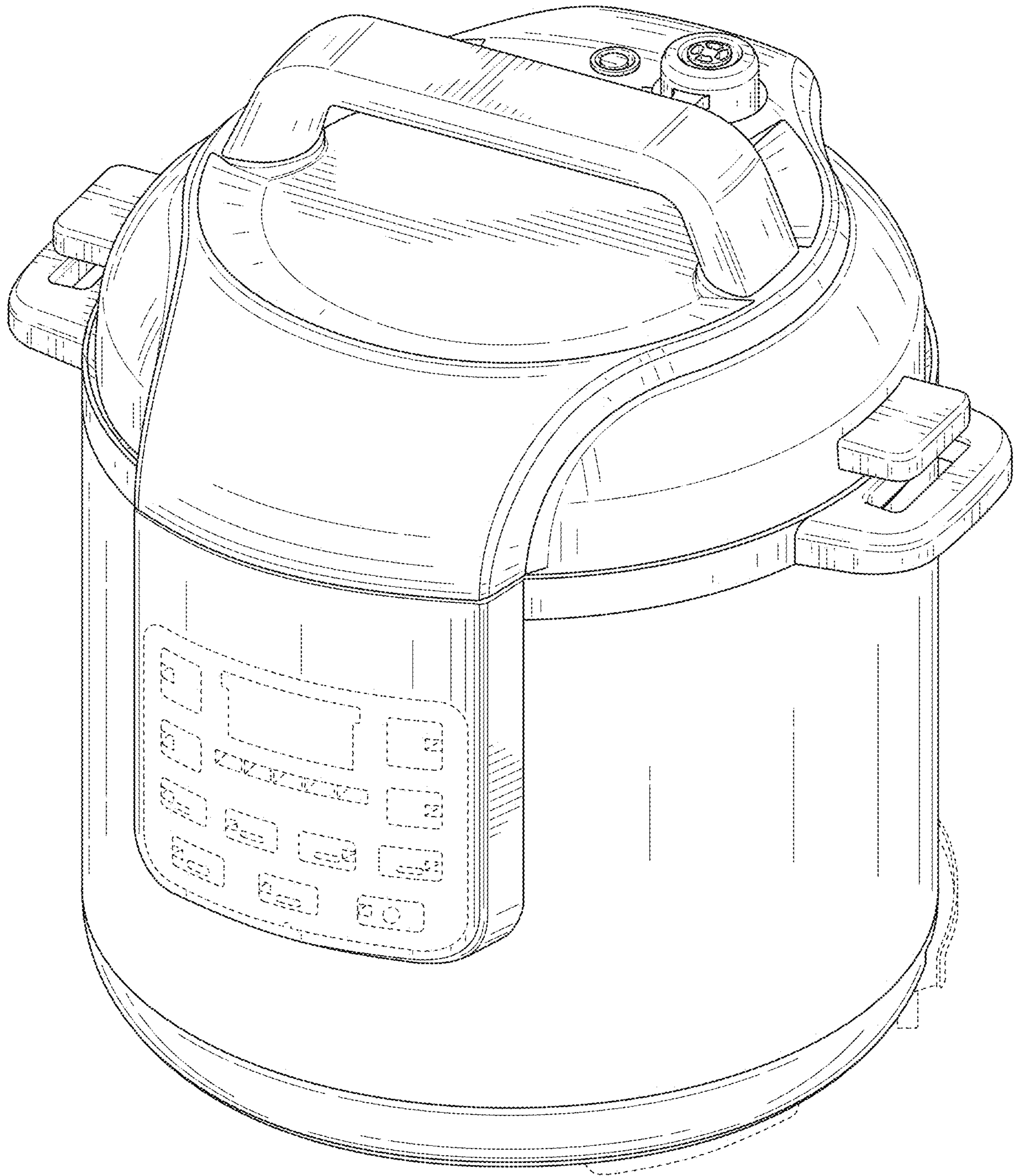


FIG. 1

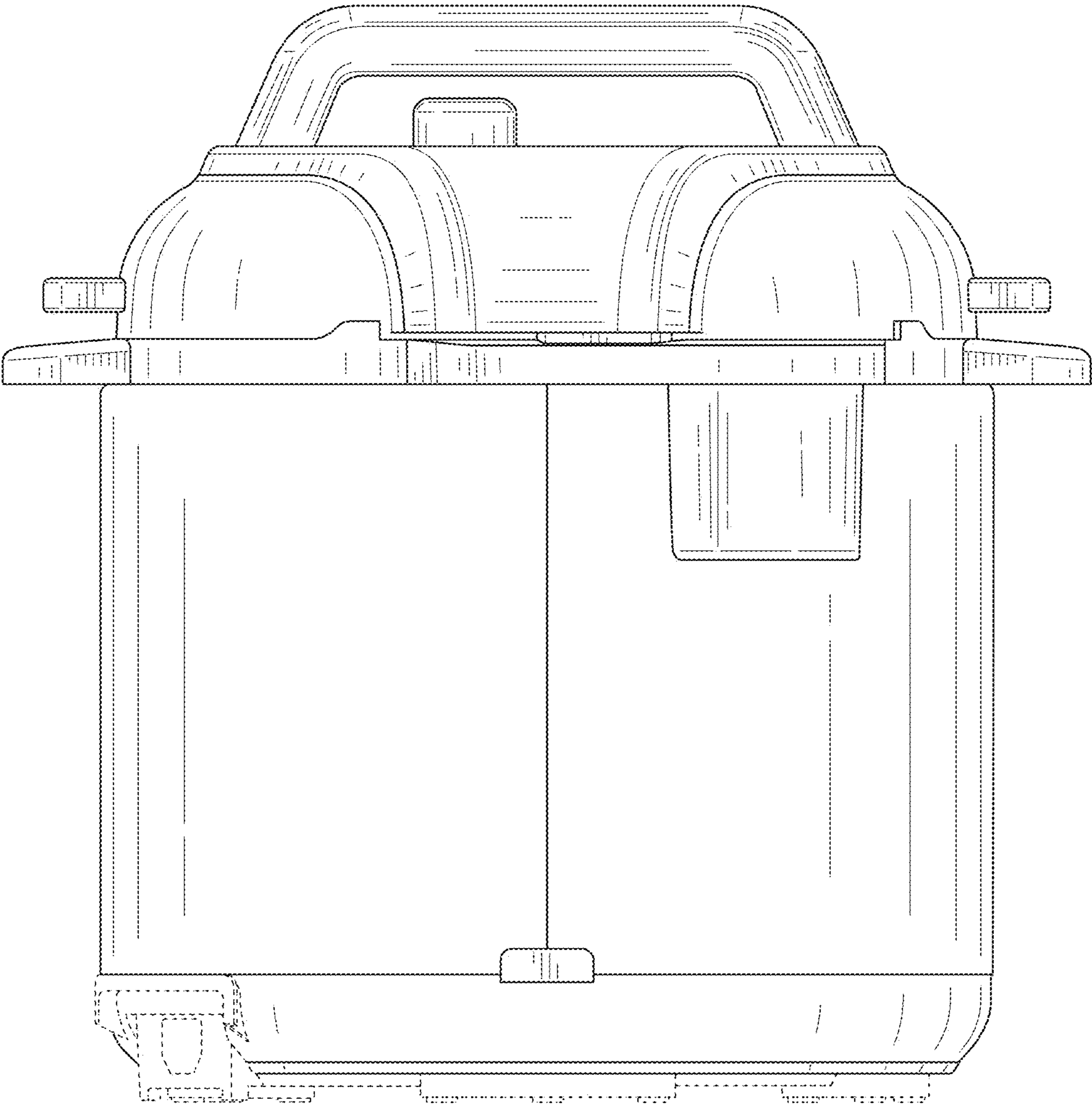


FIG. 2

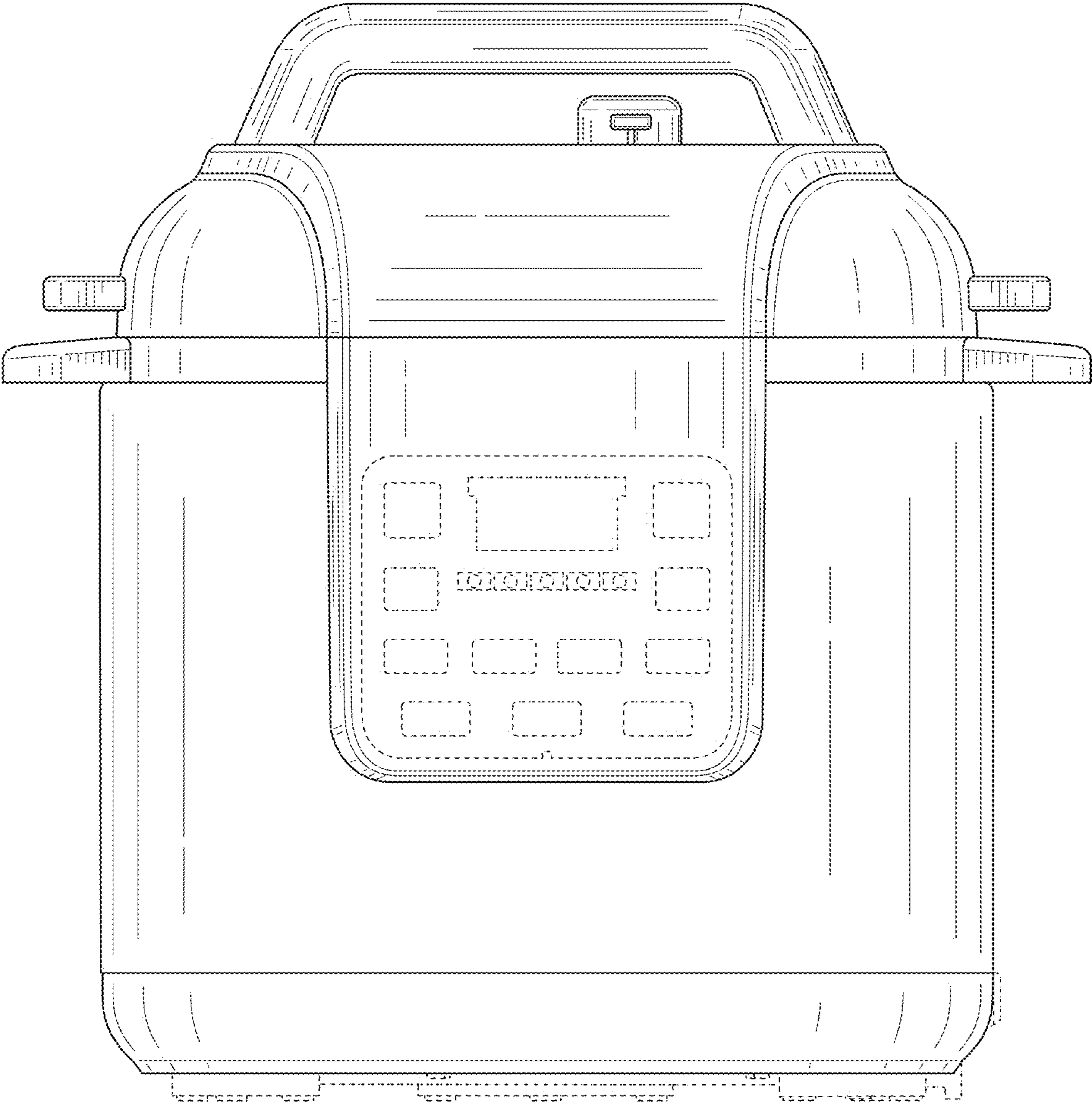


FIG. 3

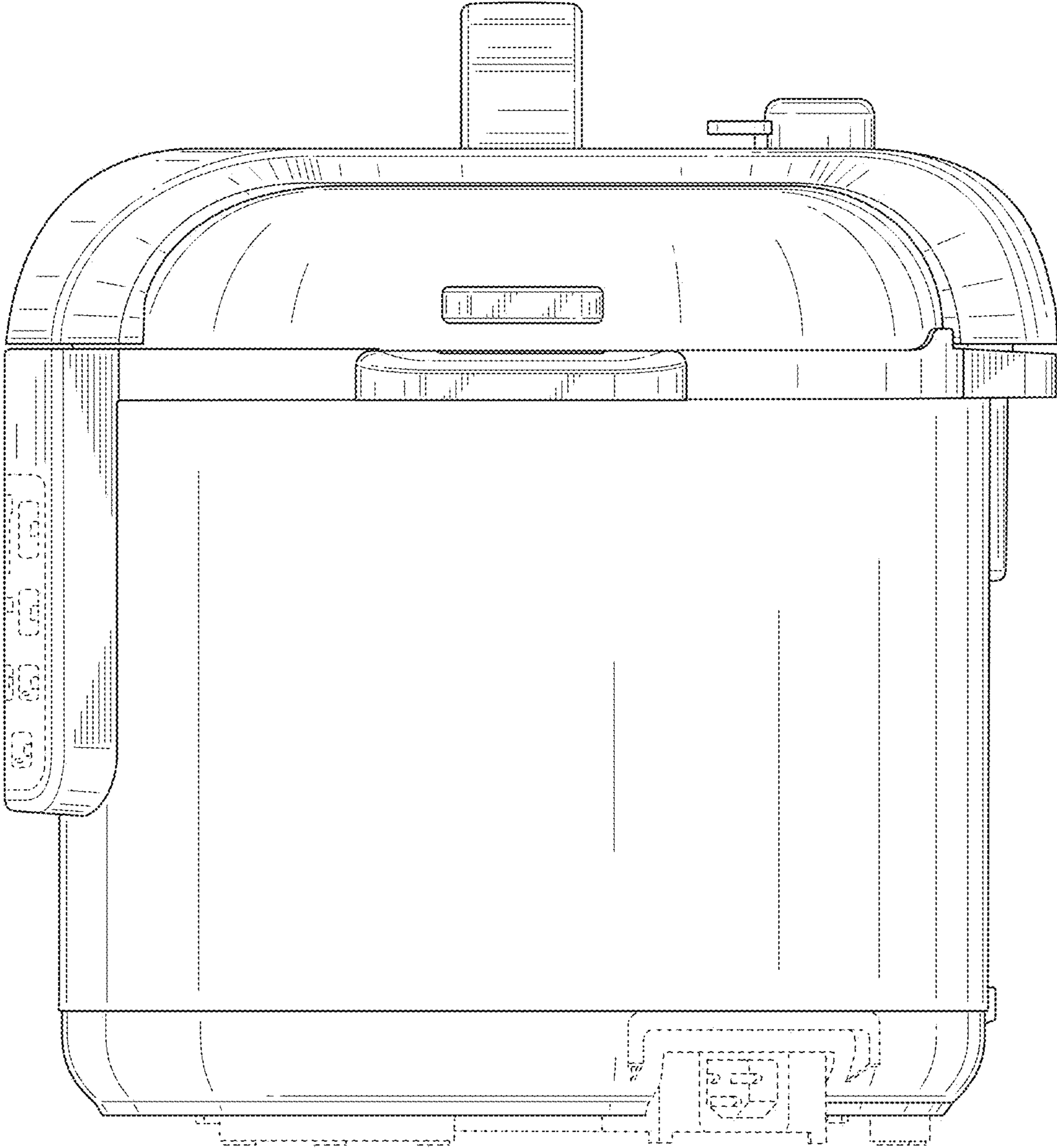


FIG. 4

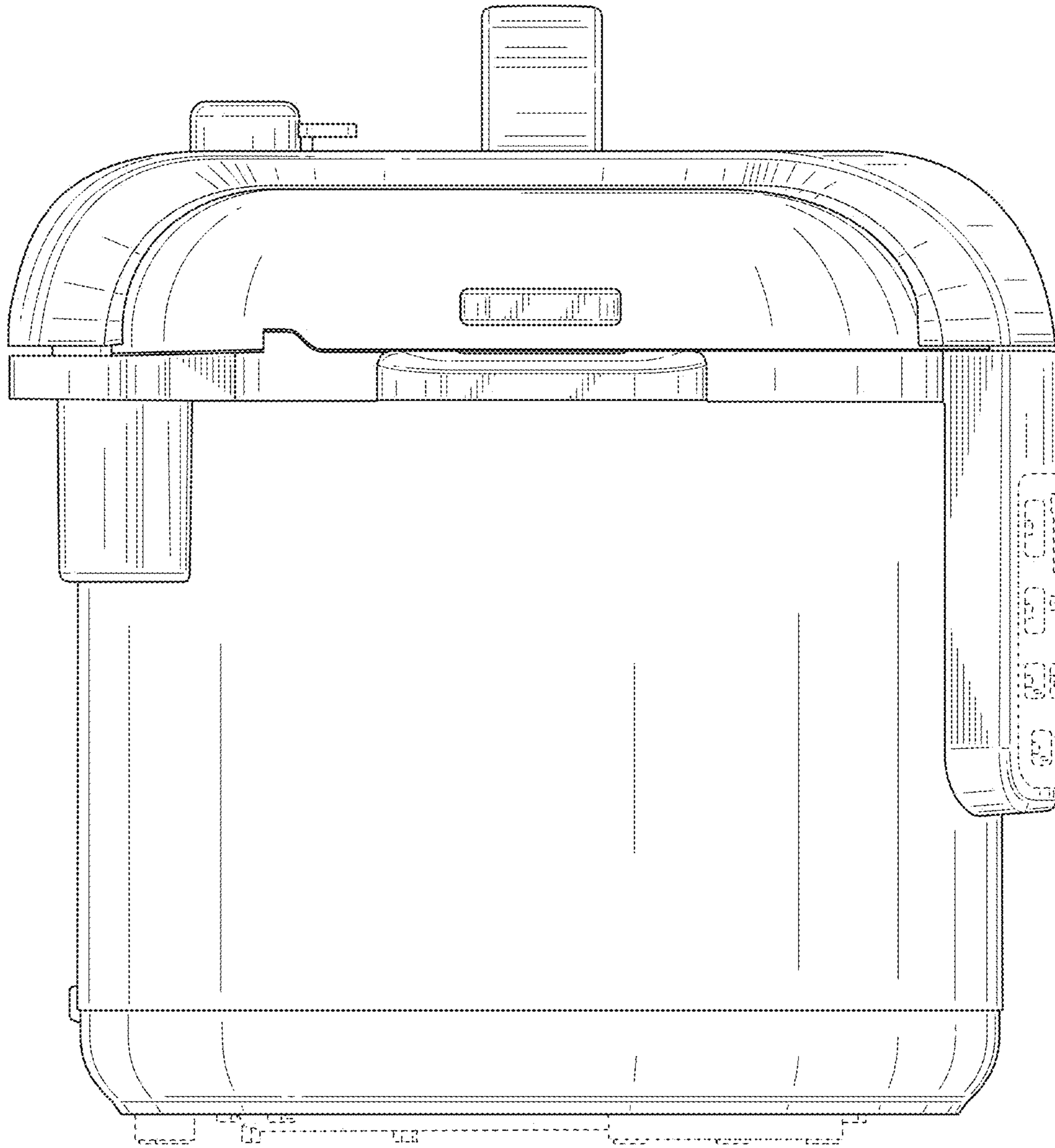


FIG. 5

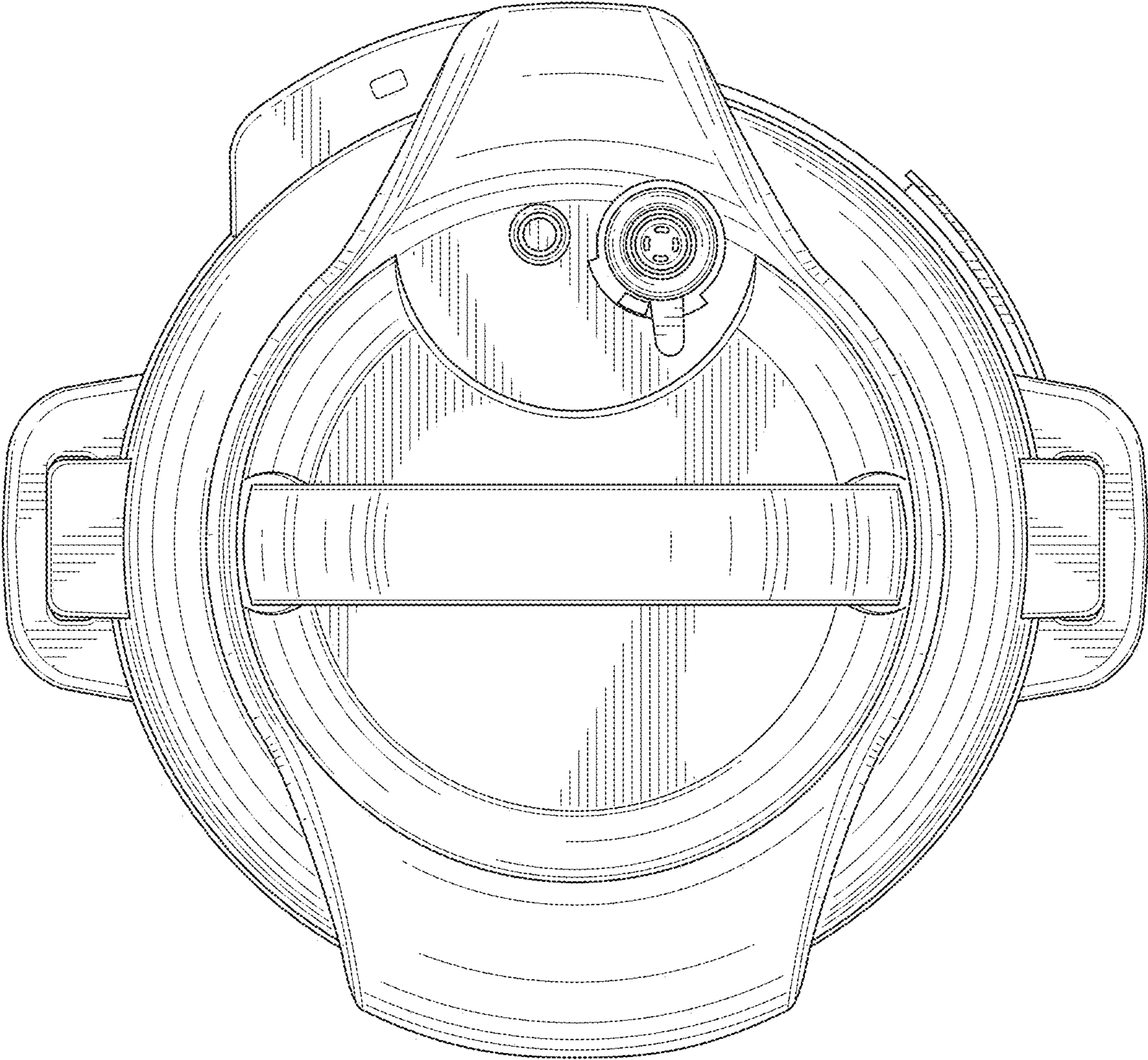


FIG. 6

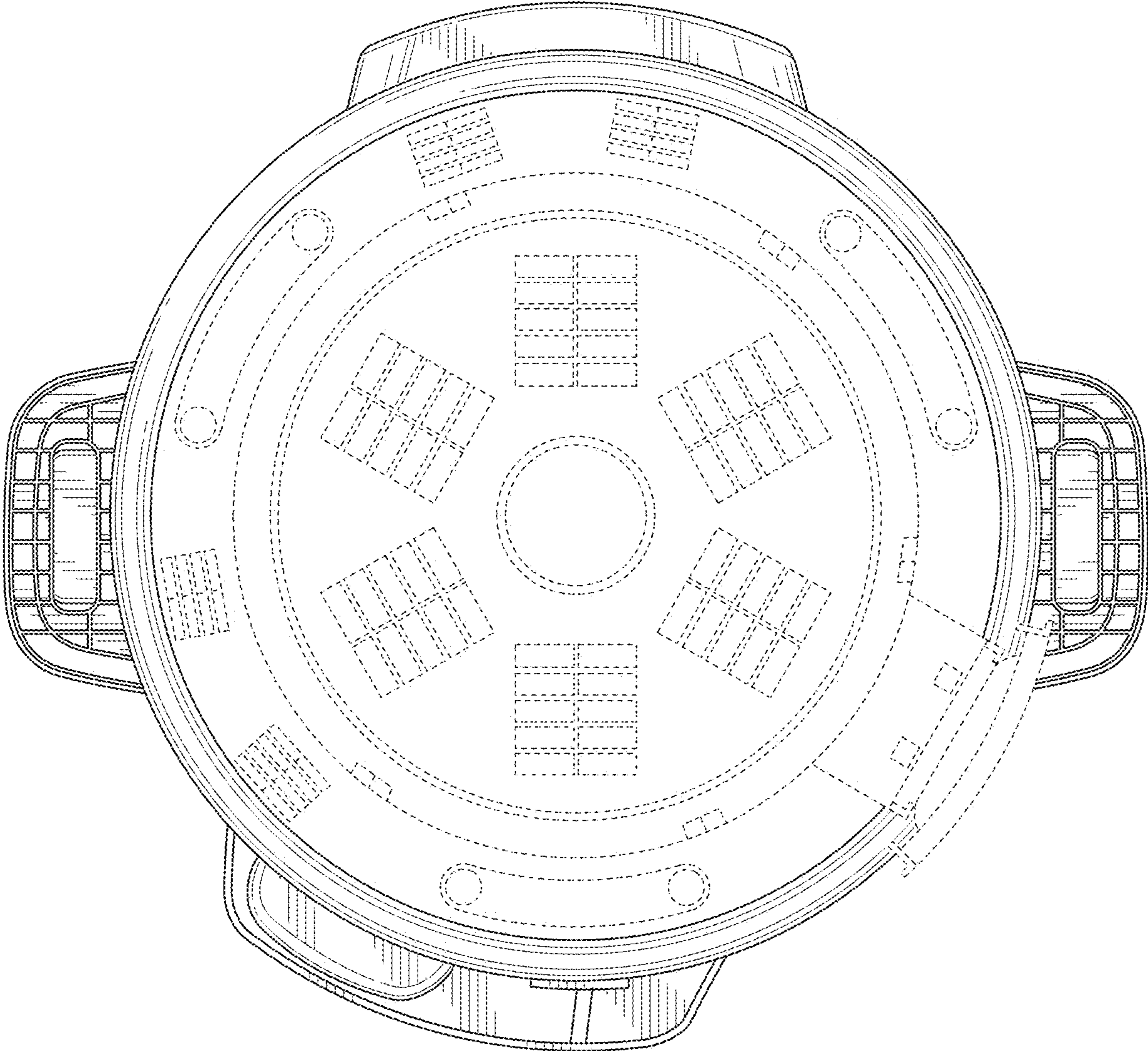


FIG. 7

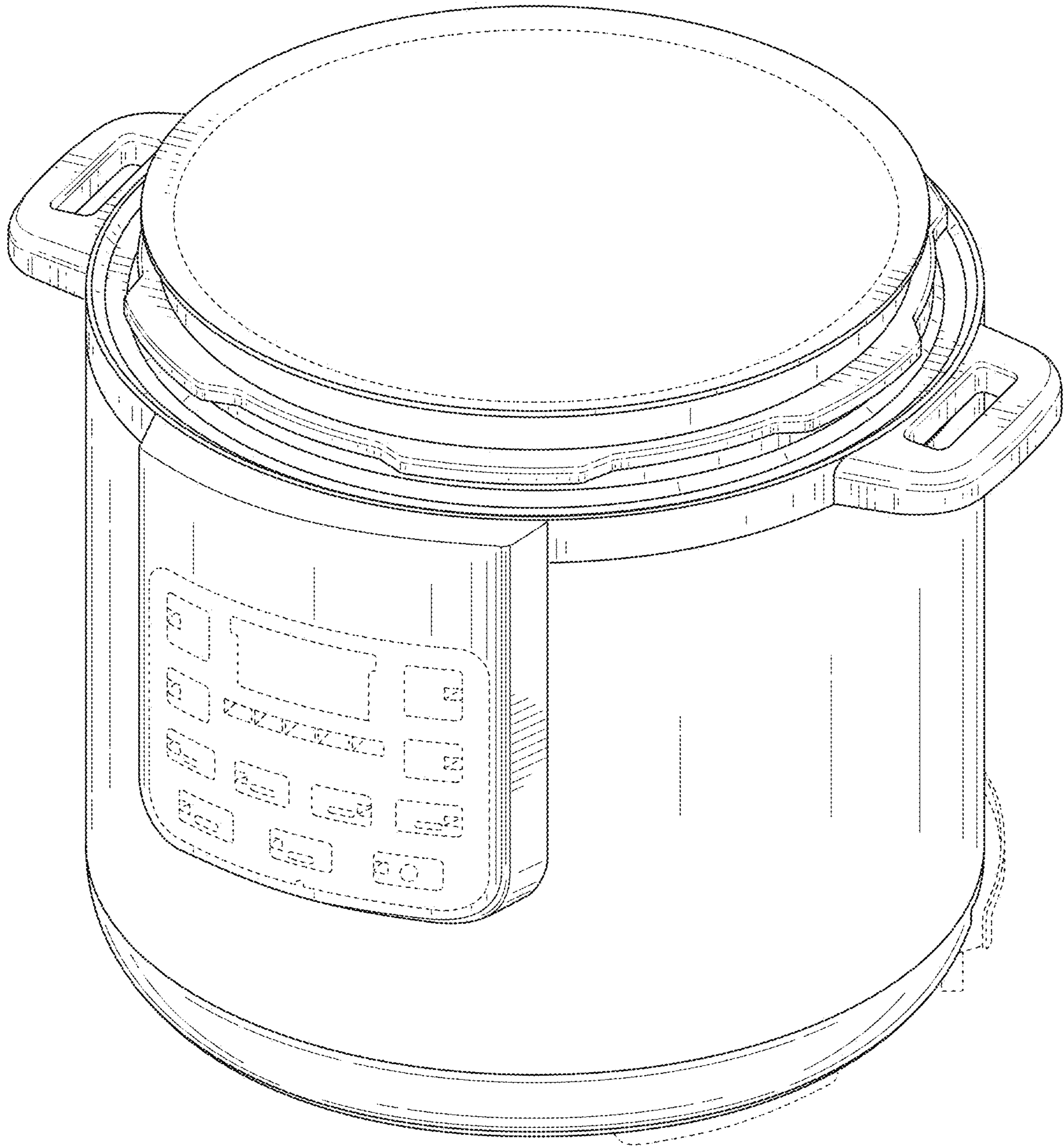


FIG. 8

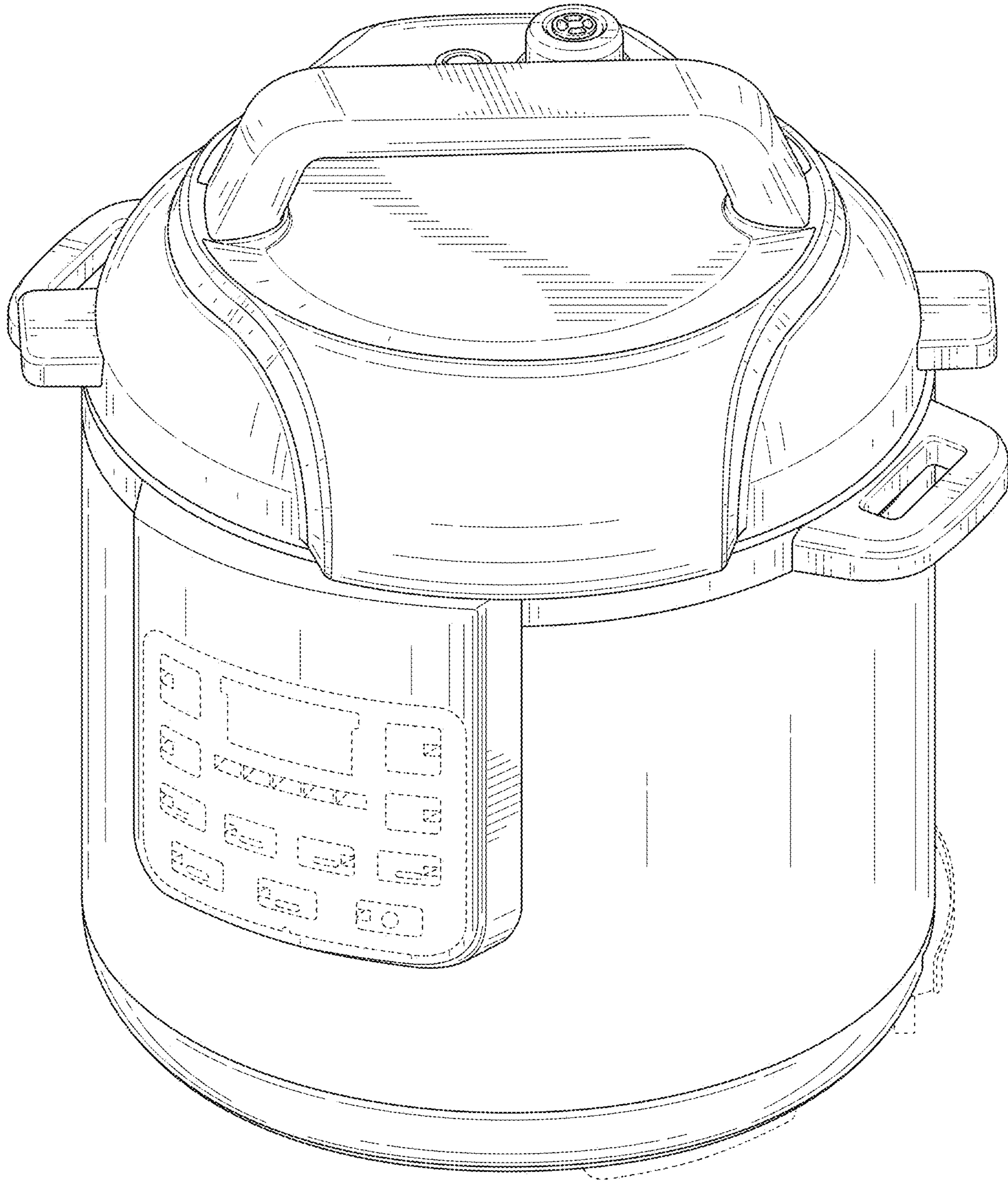


FIG. 9