



US00D883013S

(12) **United States Design Patent** (10) **Patent No.:** **US D883,013 S**  
**He** (45) **Date of Patent:** **\*\* May 5, 2020**

(54) **ELECTRIC GRIDDLE**

(56) **References Cited**

(71) Applicant: **ILLINOIS TOOL WORKS INC.,**  
Glenview, IL (US)

U.S. PATENT DOCUMENTS

(72) Inventor: **Yalin He,** Guangzhou (CN)

2,274,285 A \* 2/1942 Walker ..... A45C 11/20  
219/387

(73) Assignee: **ILLINOIS TOOL WORKS INC.,**  
Glenview, IL (US)

3,317,709 A \* 5/1967 Beasley ..... A47J 37/0676  
219/448.17

(\*\*) Term: **15 Years**

D215,383 S \* 9/1969 Moore ..... D7/339

(21) Appl. No.: **29/658,262**

4,724,823 A \* 2/1988 Simpson ..... A47J 37/0682  
126/39 D

(22) Filed: **Jul. 30, 2018**

4,987,827 A \* 1/1991 Marquez ..... A47J 37/0611  
99/331

(30) **Foreign Application Priority Data**

D428,563 S \* 7/2000 Russett ..... D7/350.4

Feb. 1, 2018 (CN) ..... 2018 3 0047743

\* cited by examiner

(51) **LOC (12) Cl.** ..... **07-02**

*Primary Examiner* — Ricky Pham

(52) **U.S. Cl.**

(74) *Attorney, Agent, or Firm* — Thompson Hine LLP

USPC ..... **D7/352**

(57) **CLAIM**

(58) **Field of Classification Search**

The ornamental design for an electric griddle, as shown and described.

USPC ..... D7/323, 339, 350.4, 354-361

CPC ..... A23L 1/01; A23L 1/0107; A23L 1/0114;

A45C 11/20; A47J 27/00; A47J 27/08;

A47J 27/09; A47J 27/092; A47J 36/025;

A47J 36/06; A47J 36/08; A47J 36/10;

A47J 36/12; A47J 36/165; A47J 36/18;

A47J 36/20; A47J 36/22; A47J 37/00;

A47J 37/0611; A47J 37/0676; A47J

37/0682; A47J 37/12; A47J 37/1204;

A47J 37/1209; A47J 37/1214; A47J

37/1219; A47J 37/1223; A47J 37/1247;

A47J 37/1257; A47J 37/1266; A47J

37/1285; A47J 37/129; A47J 37/1295;

G07F 17/0064; G07F 17/0078; G07F

17/0085; H05B 6/02; H05B 6/06; H05B

6/12

**DESCRIPTION**

FIG. 1 is a perspective view of an electric griddle;

FIG. 2 is a top view of the electric griddle;

FIG. 3 is a front view of the electric griddle;

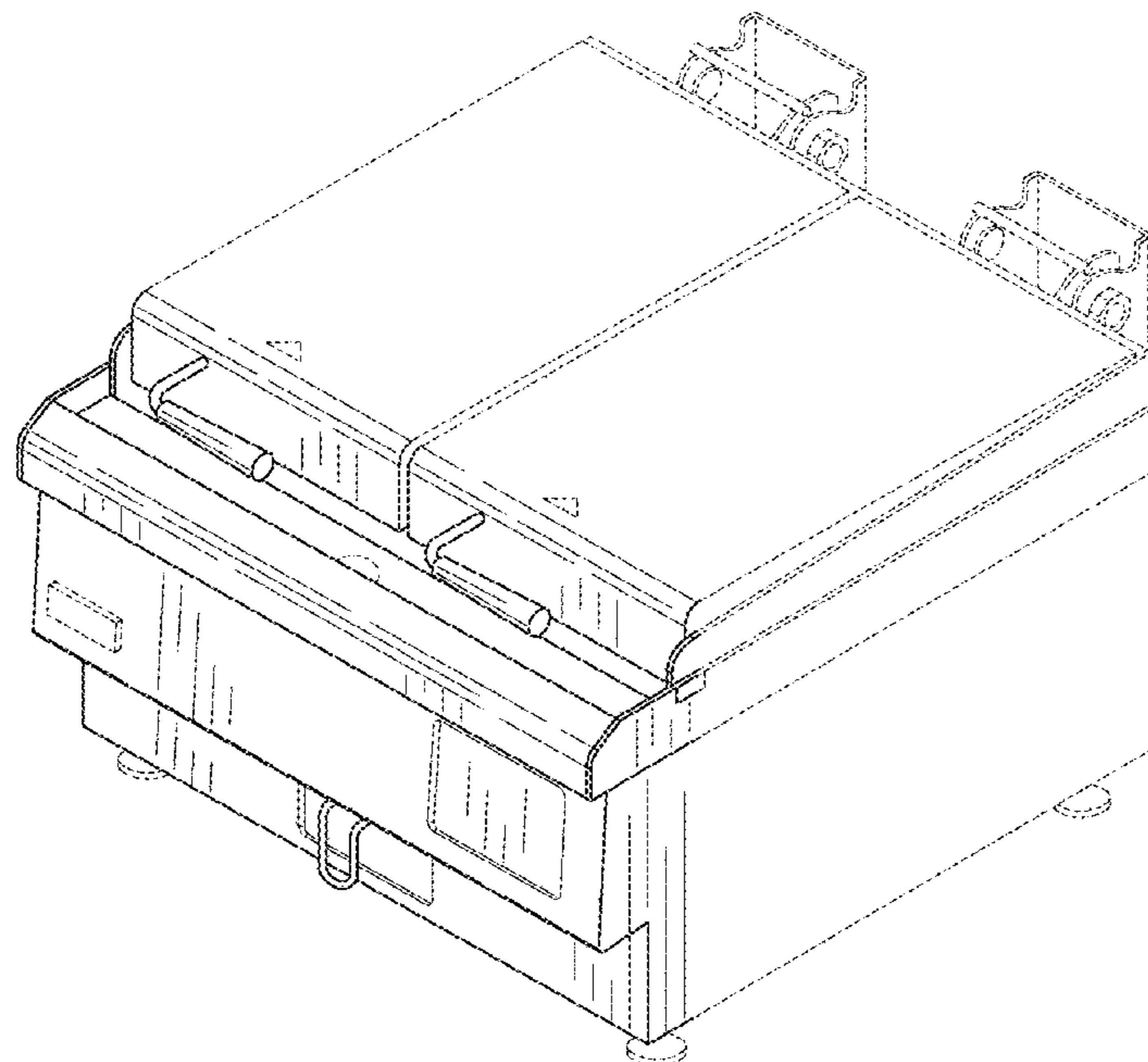
FIG. 4 is a right side view of the electric griddle; and,

FIG. 5 is a left side view of the electric griddle.

The dash broken lines shown in the drawings are for purposes of illustrating portions of the electric griddle that form no part of the claimed design. In connection with the electric griddle, the rear portion and bottom portion of the electric griddle are not visible during ordinary use and form no part of the claimed design.

See application file for complete search history.

**1 Claim, 3 Drawing Sheets**



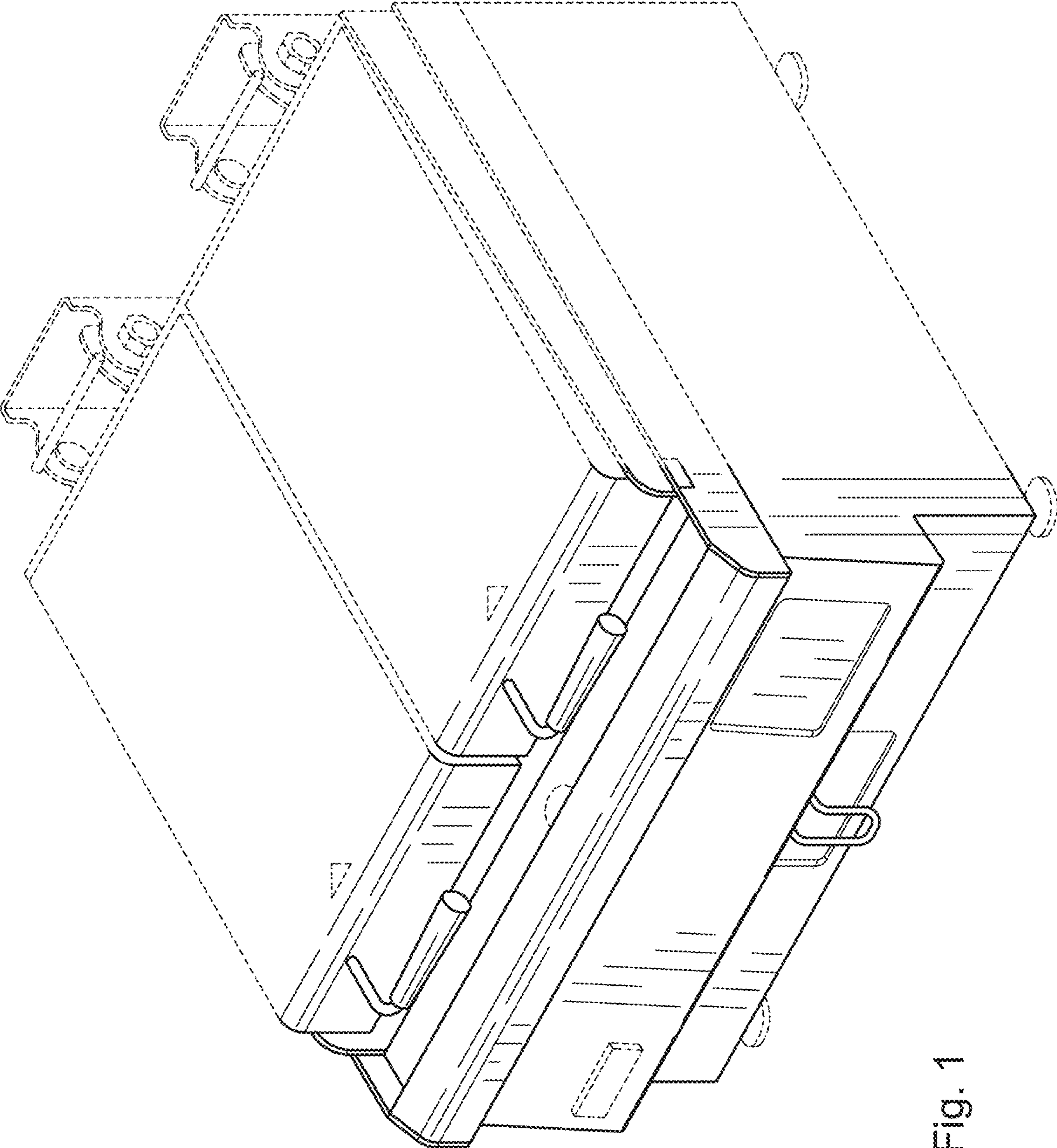


Fig. 1

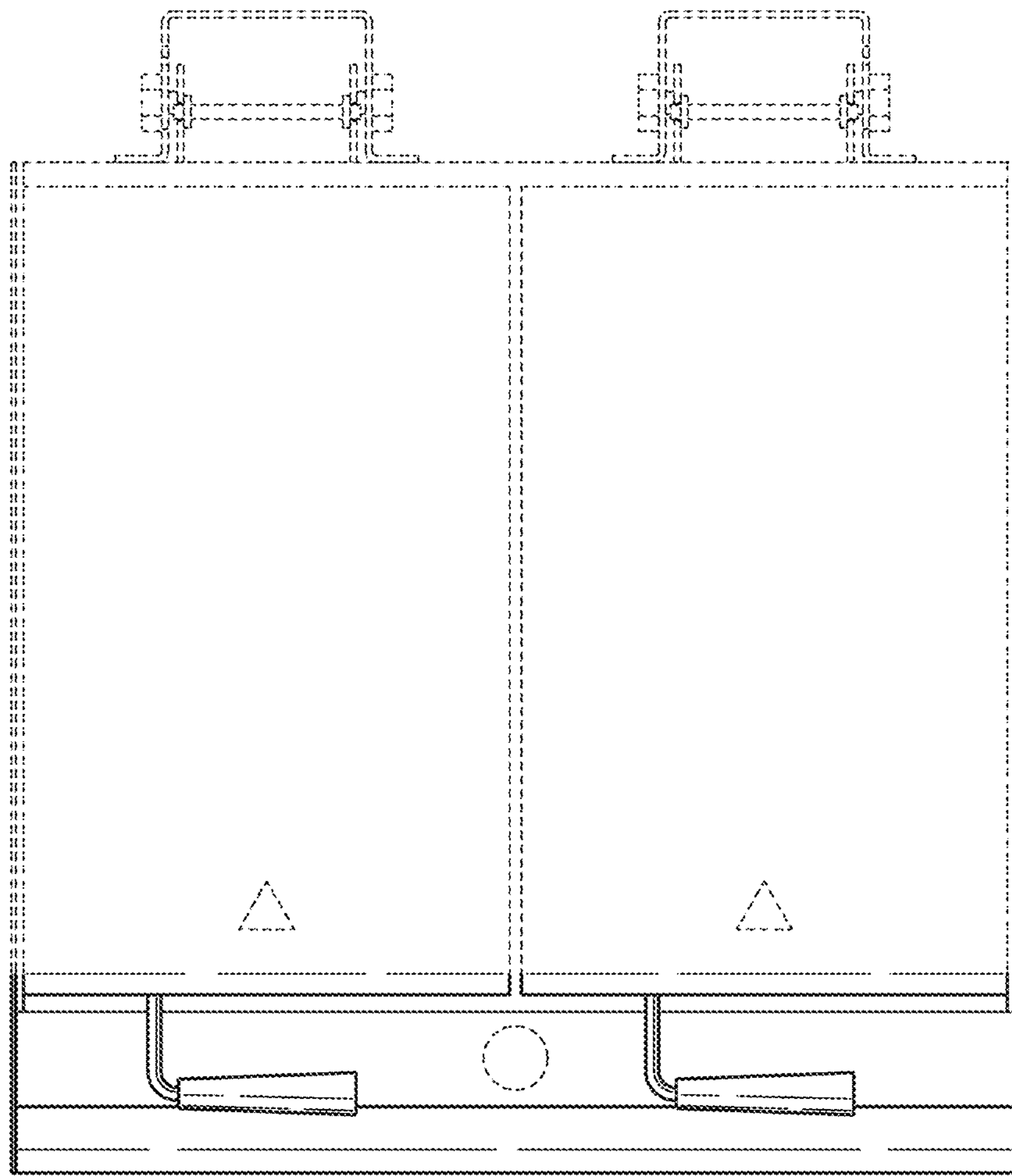


Fig. 2

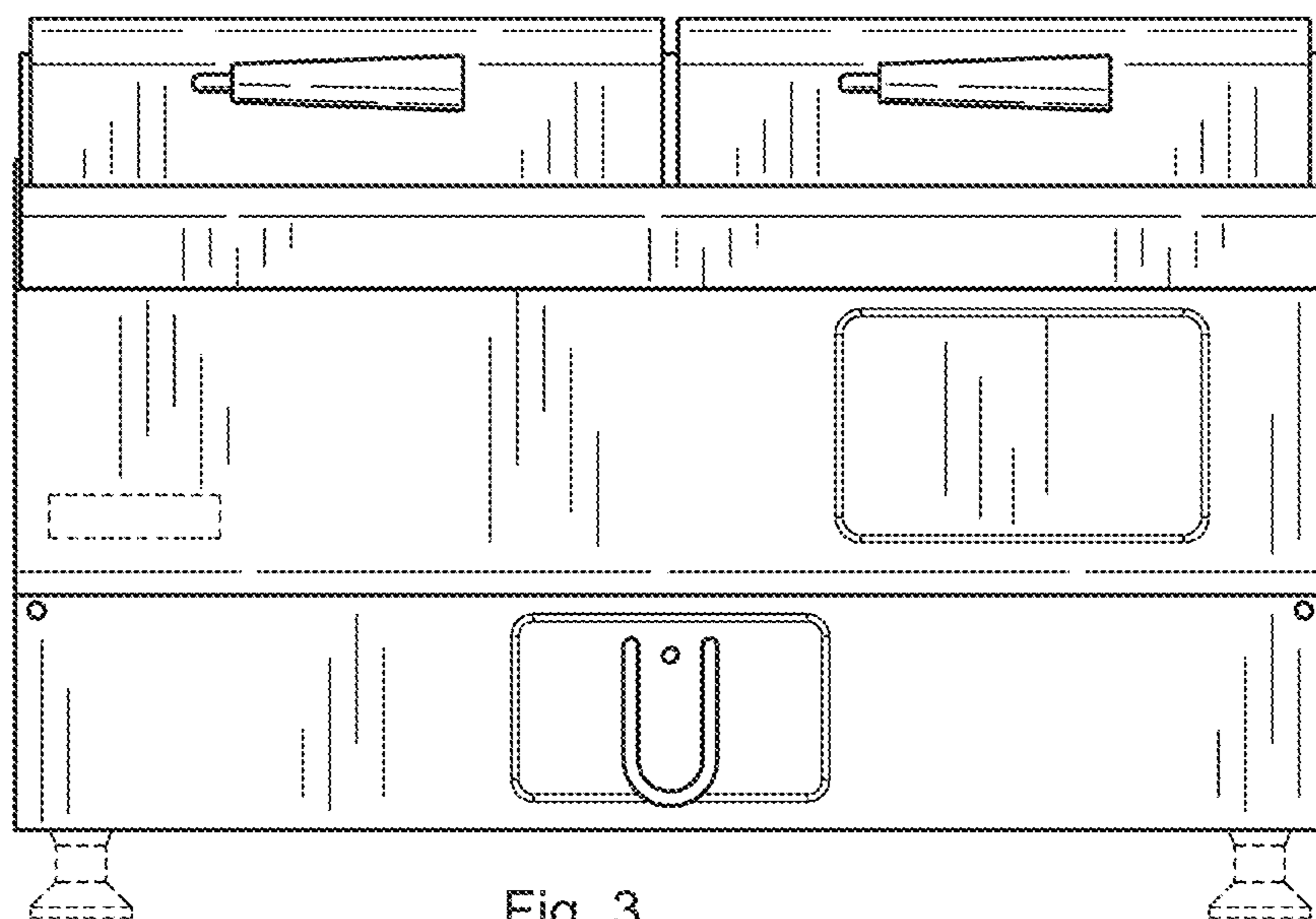


Fig. 3



Fig. 4

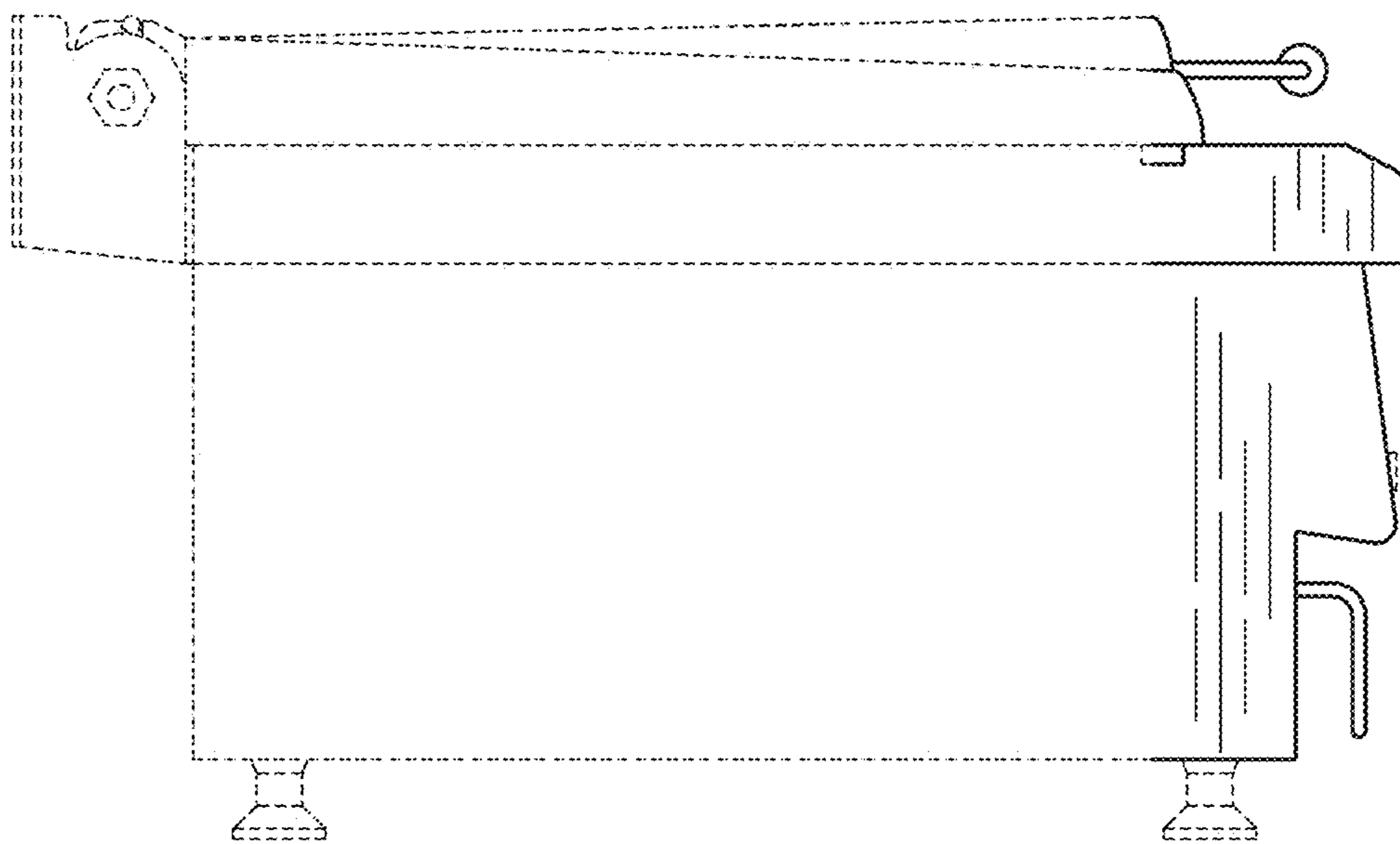


Fig. 5

UNITED STATES PATENT AND TRADEMARK OFFICE  
**CERTIFICATE OF CORRECTION**

PATENT NO. : D883,013 S  
APPLICATION NO. : 29/658262  
DATED : May 5, 2020  
INVENTOR(S) : He

Page 1 of 1

It is certified that error appears in the above-identified patent and that said Letters Patent is hereby corrected as shown below:

On the Title Page

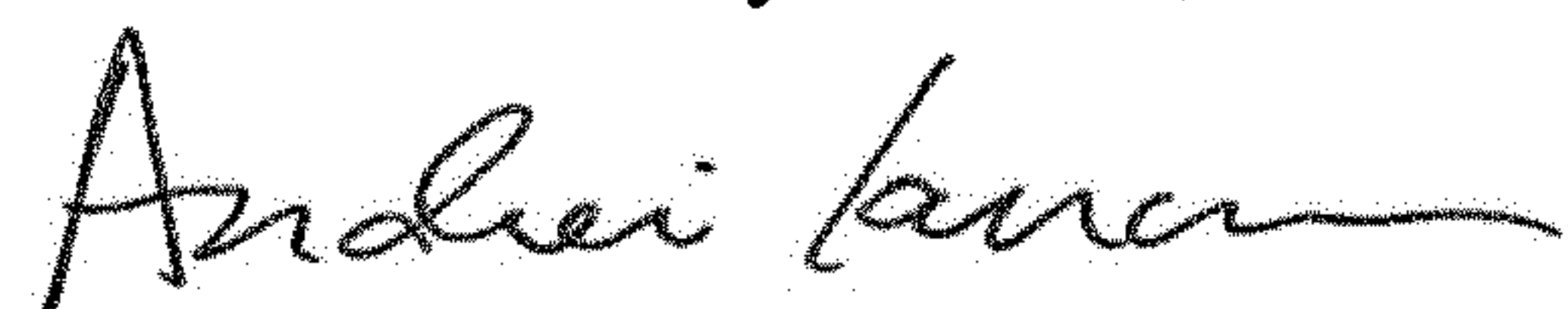
In the Description at Line 10, it reads:

“electric griddle are not visible during ordinary use and form”

It should read:

--electric griddle are not visible during ordinary use and form--

Signed and Sealed this  
Sixteenth Day of June, 2020



Andrei Iancu  
*Director of the United States Patent and Trademark Office*