



US00D883012S

(12) **United States Design Patent**
Chen

(10) **Patent No.:** **US D883,012 S**

(45) **Date of Patent:** **** May 5, 2020**

(54) **CURING BOX**

(71) Applicant: **Liang Chen**, Zhejiang (CN)

(72) Inventor: **Liang Chen**, Zhejiang (CN)

(**) Term: **15 Years**

(21) Appl. No.: **29/658,370**

(22) Filed: **Jul. 31, 2018**

(51) **LOC (12) Cl.** **07-02**

(52) **U.S. Cl.**
USPC **D7/339**

(58) **Field of Classification Search**
USPC D7/323, 326, 328-330, 339-349, 350.1,
D7/390, 402-406; D8/300-306
CPC A21B 2/00; A21B 3/04; A47J 37/00; A47J
37/06; A47J 37/0611; A47J 37/08; A47J
37/0807; A47J 37/0814; A47J 37/0835;
A47J 37/0842; A47J 37/085; A47J
37/0864; A47J 37/0878; A47J 37/0885;
A47J 37/0892; F24C 7/00; F24C 7/002;
F24C 7/046; F24C 7/067; F24C 15/02;
F24C 15/04; F24C 15/10; F24C 15/102;
F24C 15/2042; F27B 17/02
See application file for complete search history.

(56) **References Cited**

U.S. PATENT DOCUMENTS

2,983,951 A * 5/1961 Russell F27B 17/02
312/292
D343,090 S * 1/1994 Connell D7/339

D538,581 S * 3/2007 Lee D7/340
D568,089 S * 5/2008 Hillmann D7/347
D657,184 S * 4/2012 Segato D7/348
D679,934 S * 4/2013 Majdecki, Jr. D7/326
D702,482 S * 4/2014 Davis D7/350.1
D765,457 S * 9/2016 Schwamkrug D7/339
D773,231 S * 12/2016 Franzolin D7/339
2003/0218012 A1 * 11/2003 Kim F24C 15/2042
219/757
2006/0081592 A1 * 4/2006 Williams A21B 3/04
219/401

* cited by examiner

Primary Examiner — Ricky Pham
(74) *Attorney, Agent, or Firm* — HYIP

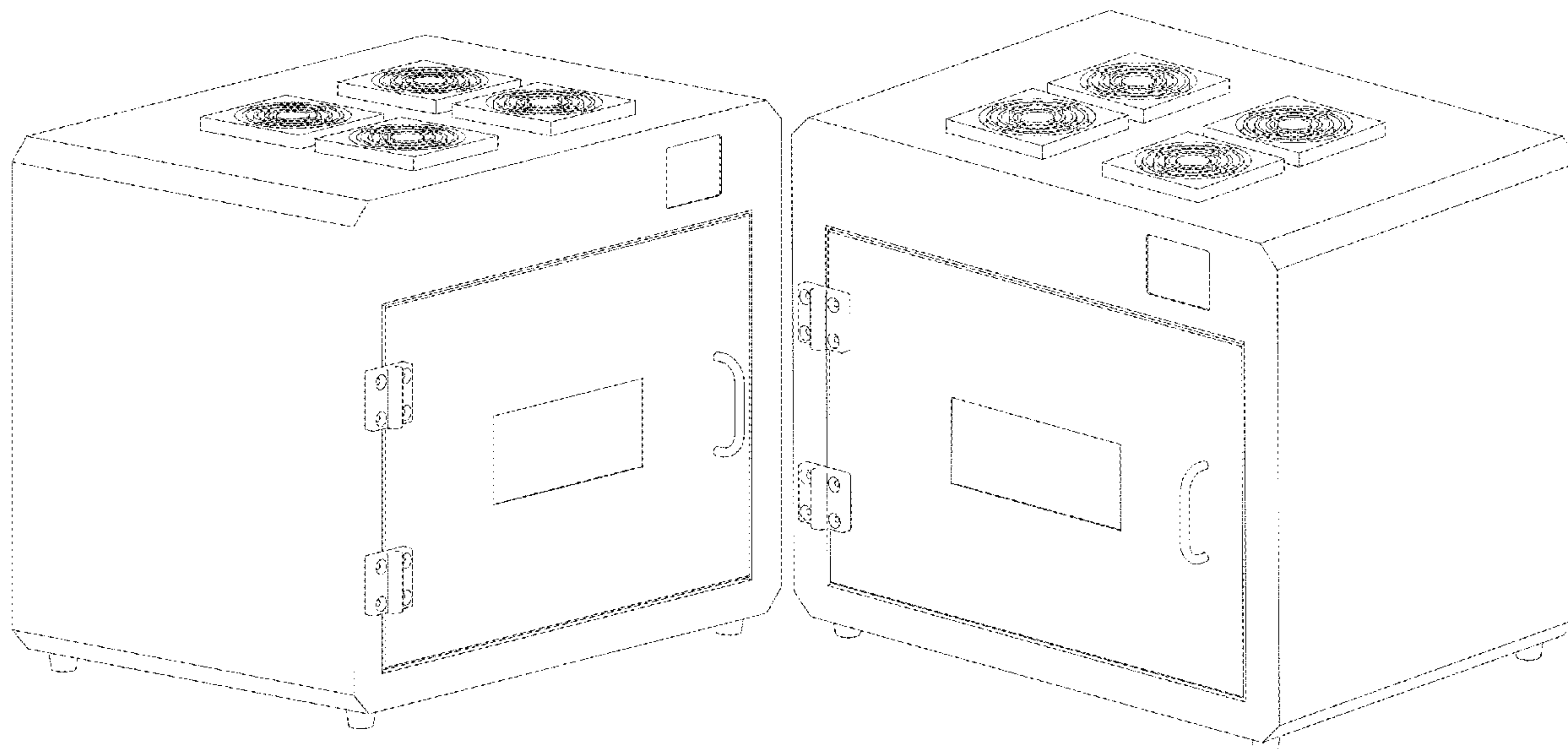
(57) **CLAIM**

The ornamental design for a curing box, as shown and described.

DESCRIPTION

FIG. 1 is a front elevational view of a curing box showing my new design;
FIG. 2 is a rear elevational view thereof;
FIG. 3 is a left side view thereof;
FIG. 4 is a right side view thereof;
FIG. 5 is a top plan view thereof;
FIG. 6 is a bottom plan view thereof;
FIG. 7 is a perspective view thereof; and,
FIG. 8 is another perspective view thereof.
The broken lines shown in FIGS. form no part of the claimed design.

1 Claim, 4 Drawing Sheets



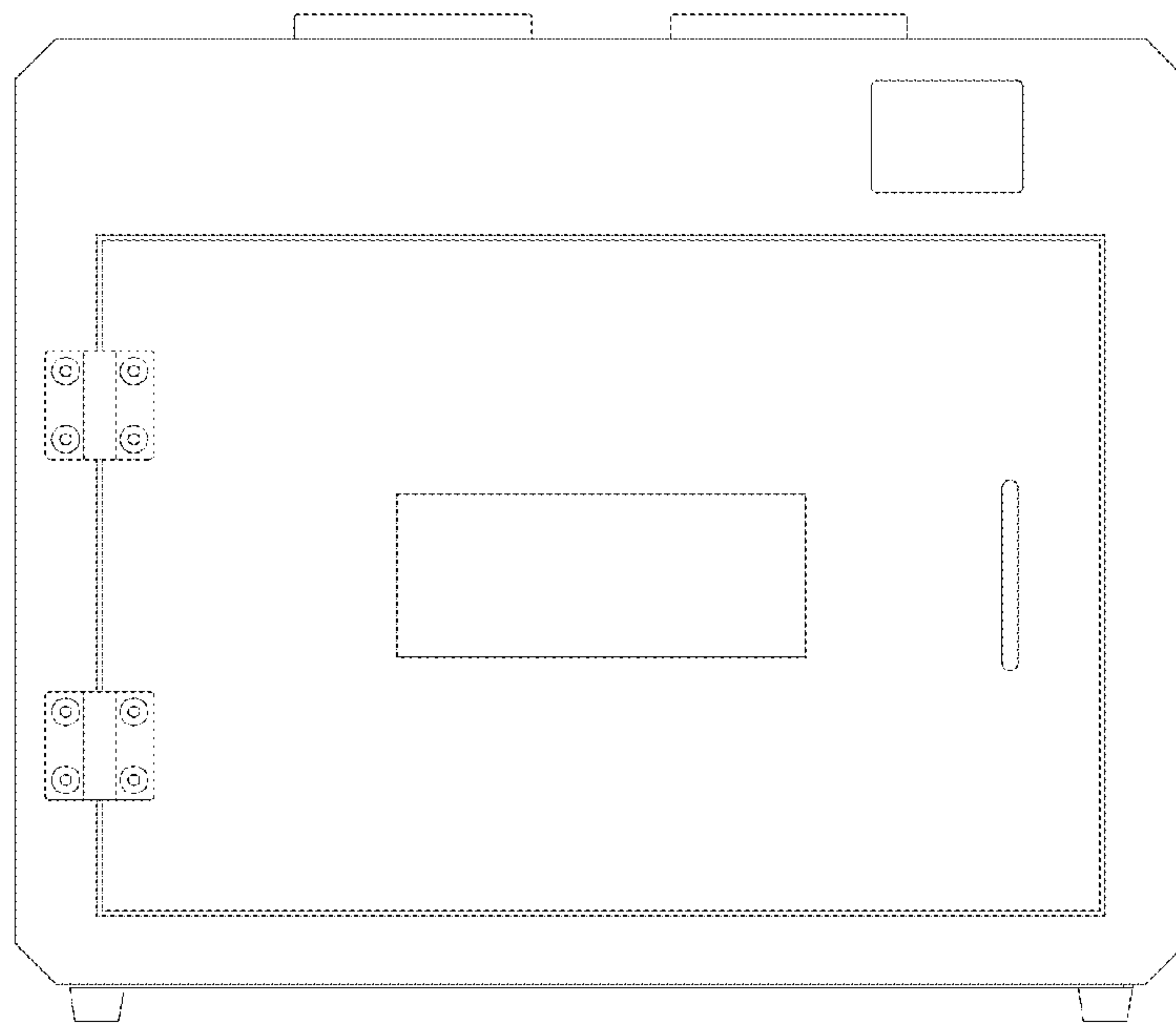


Fig. 1

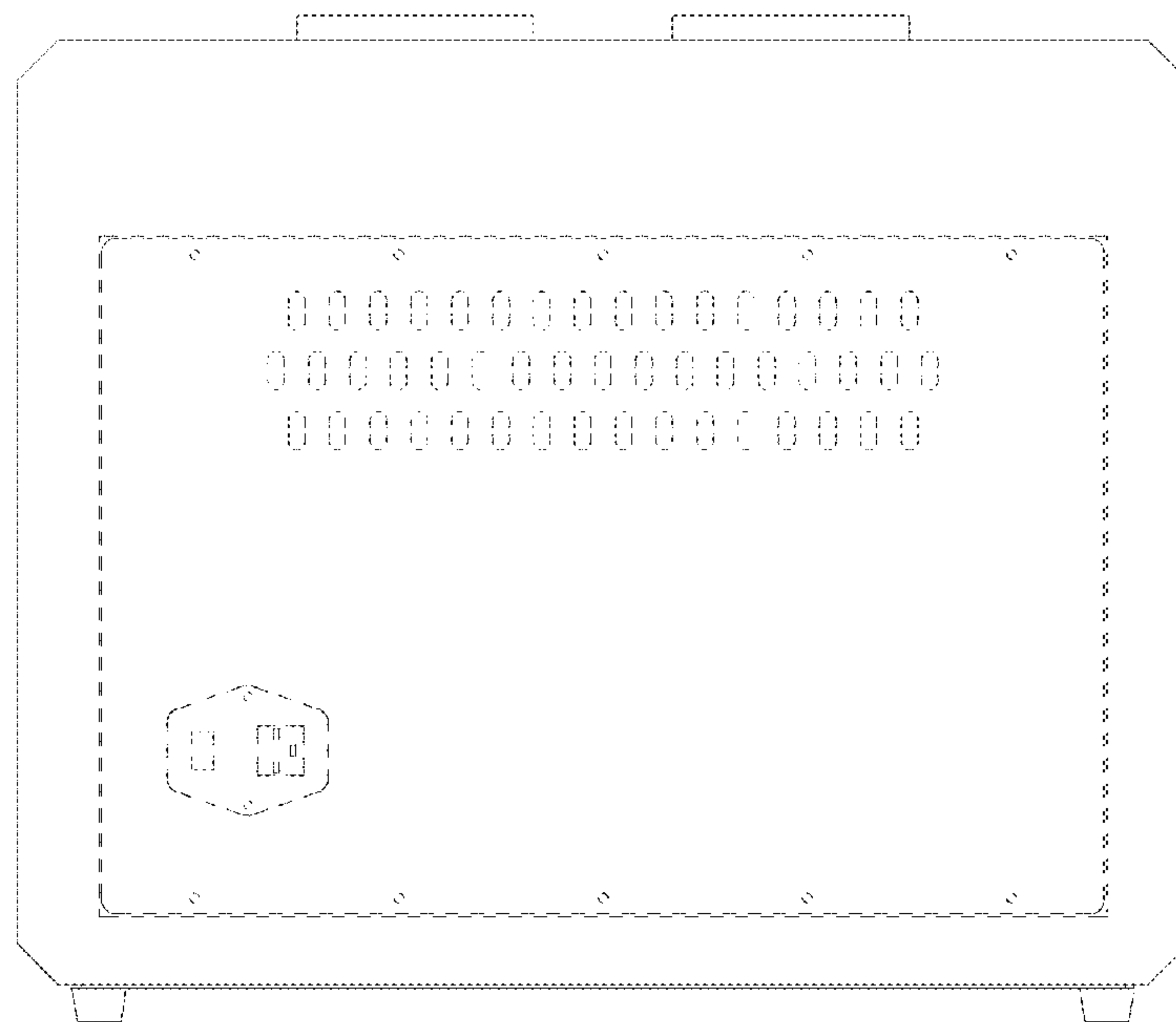


Fig. 2

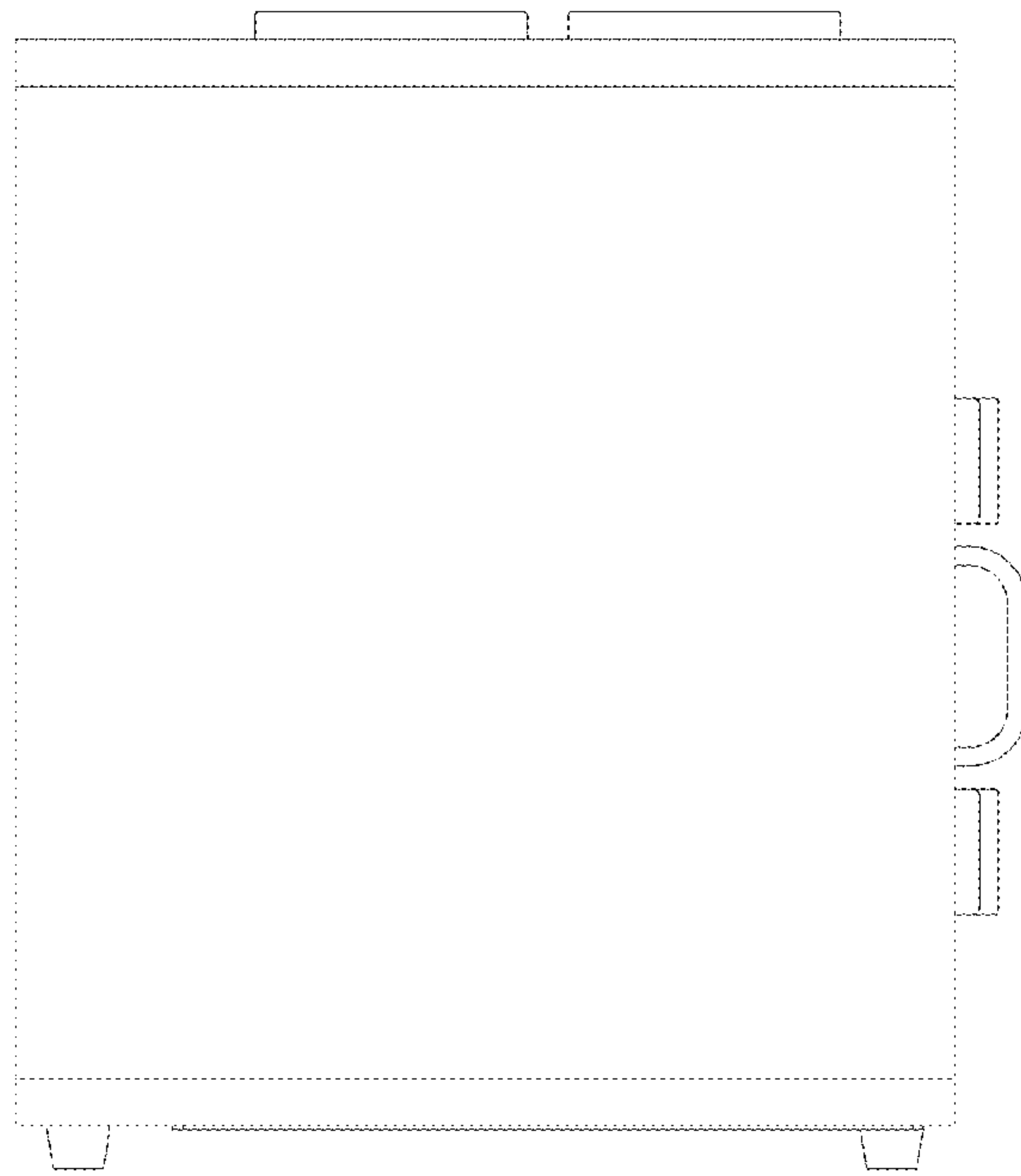


Fig. 3

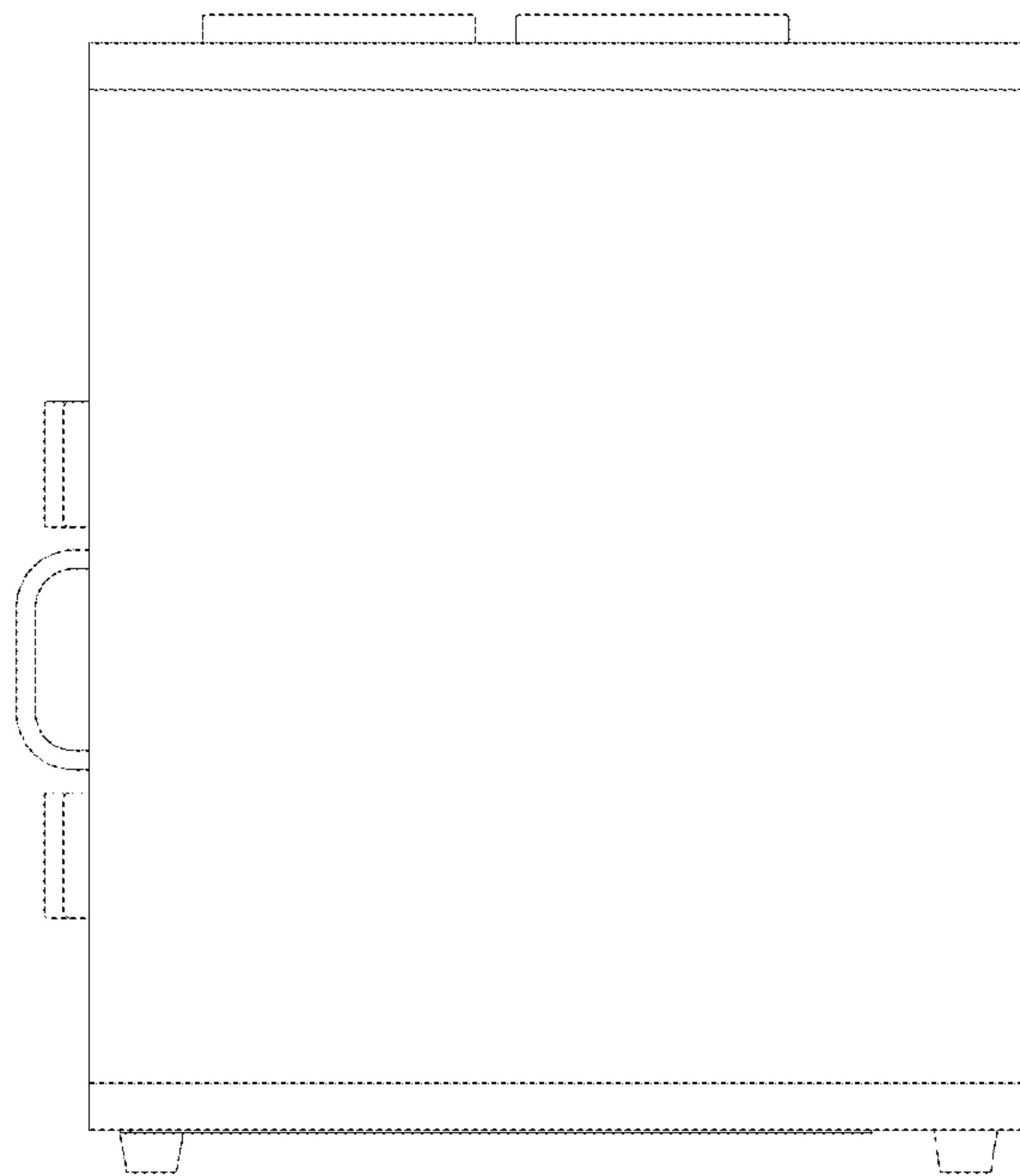


Fig. 4

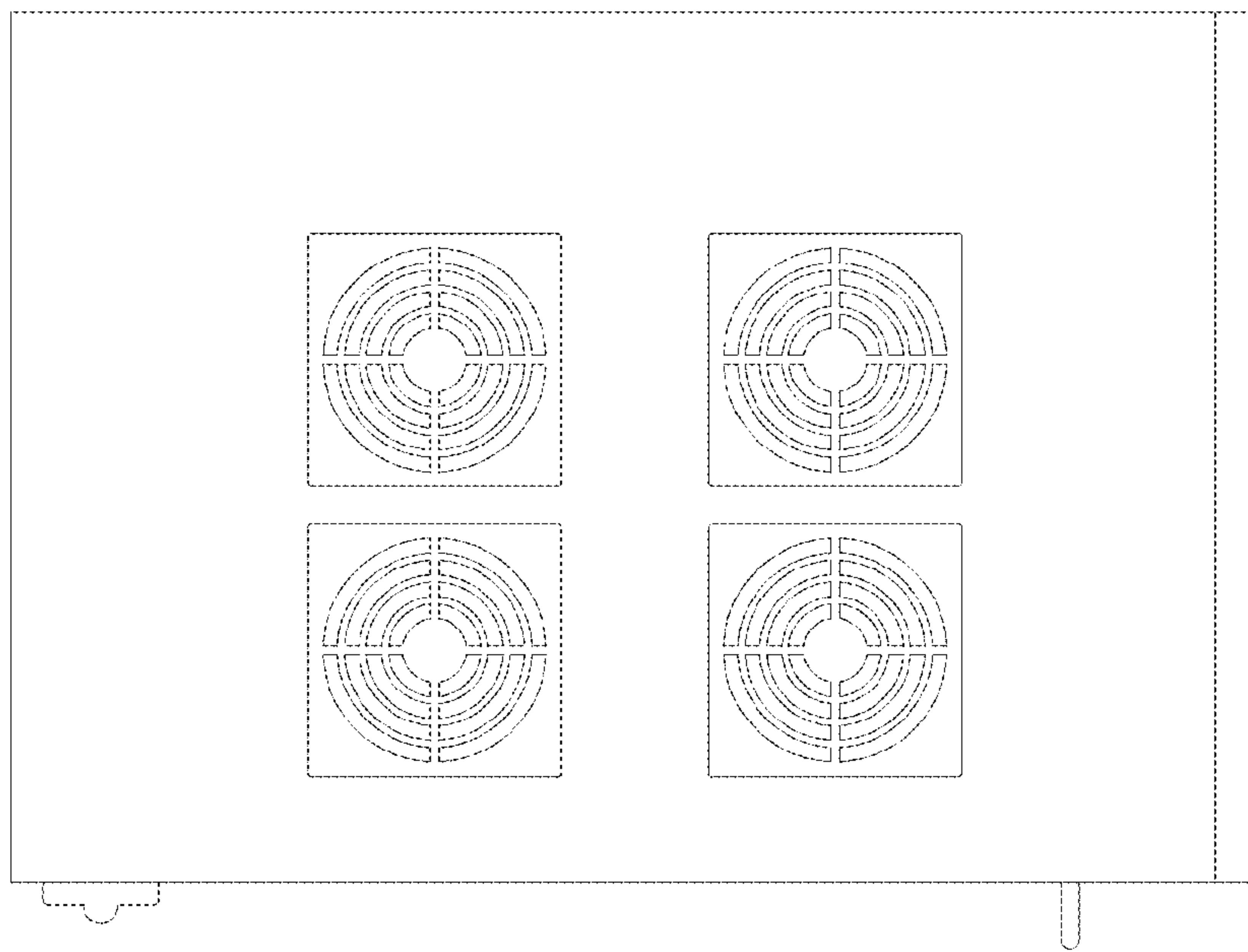


Fig. 5

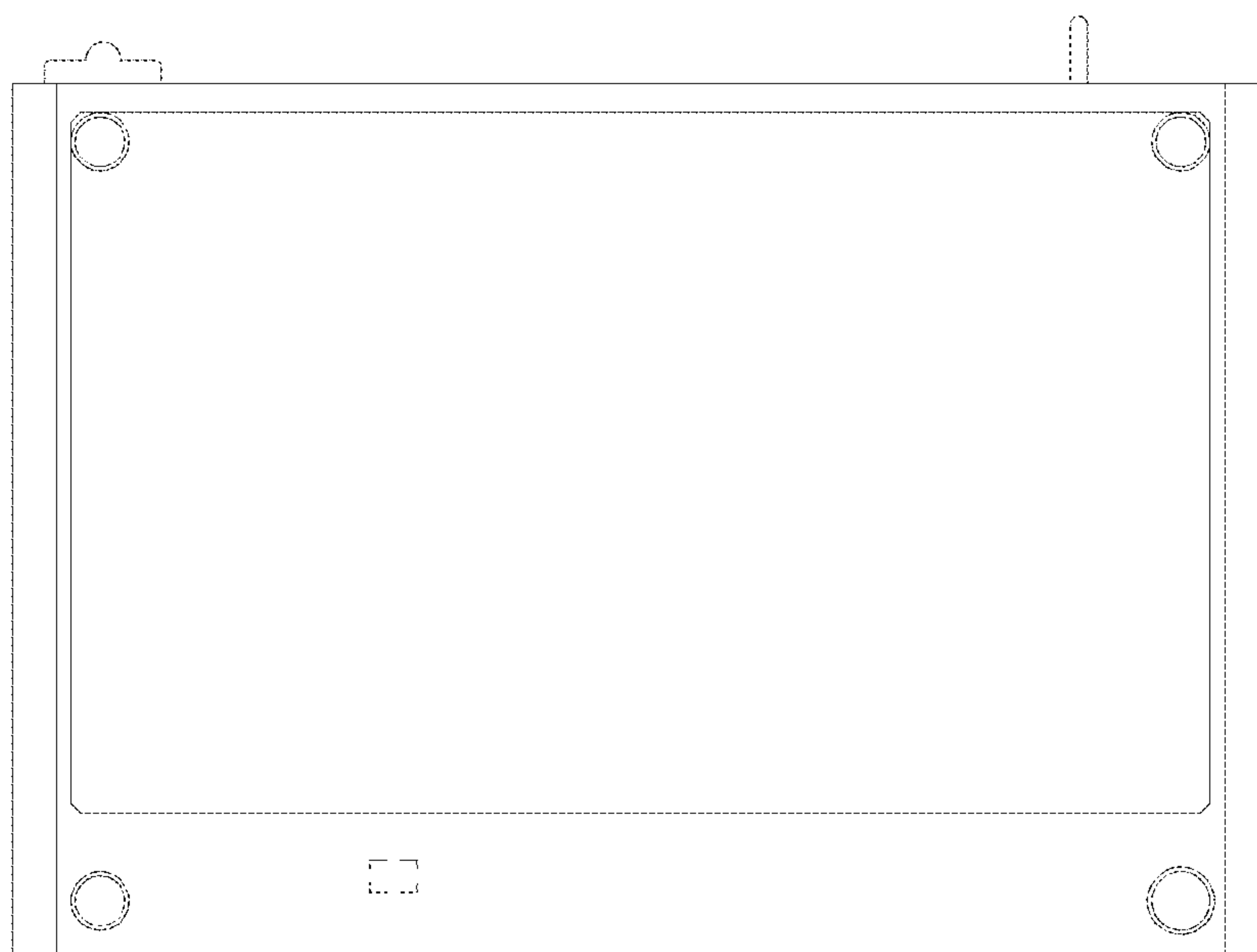


Fig. 6

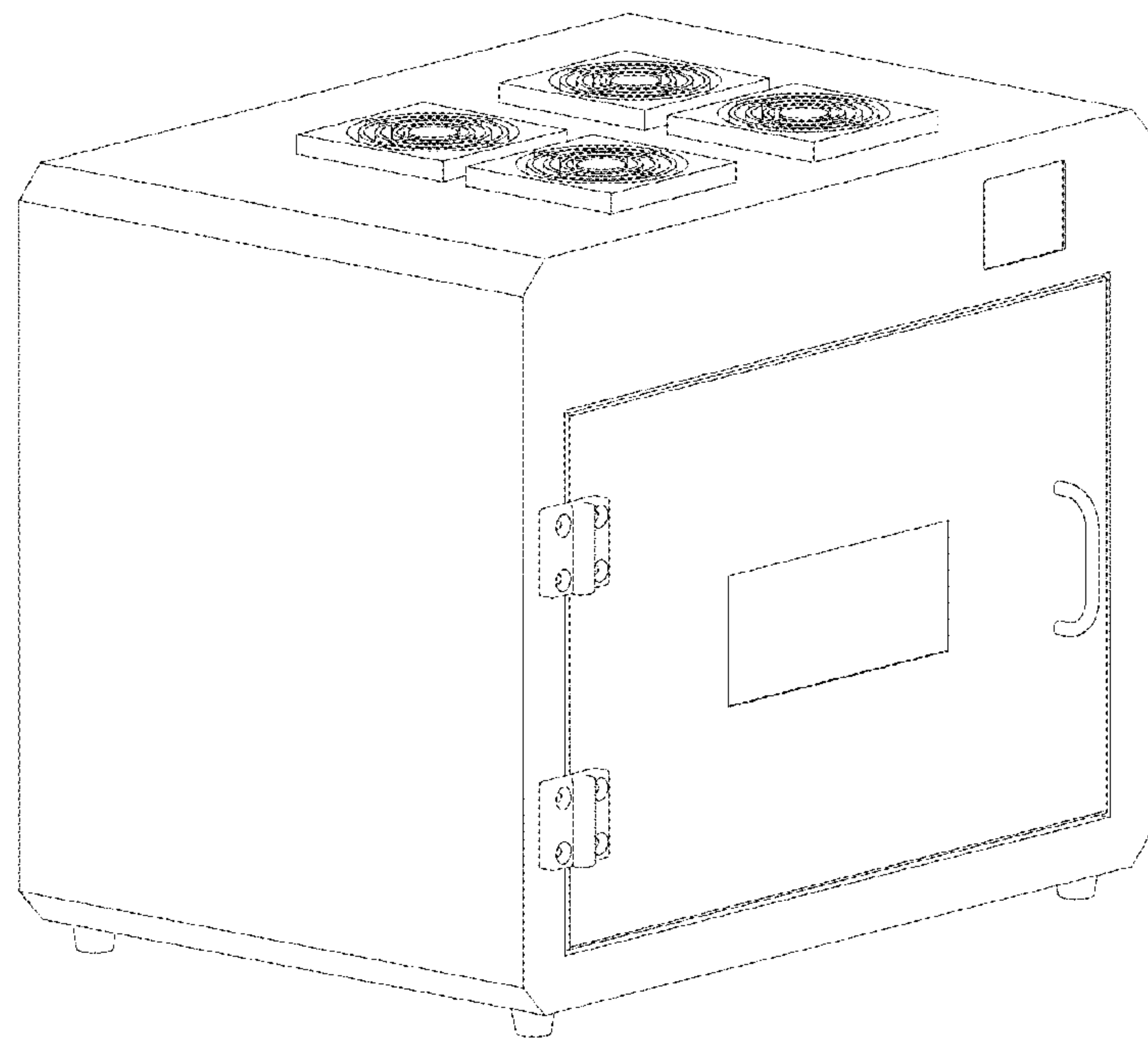


Fig. 7

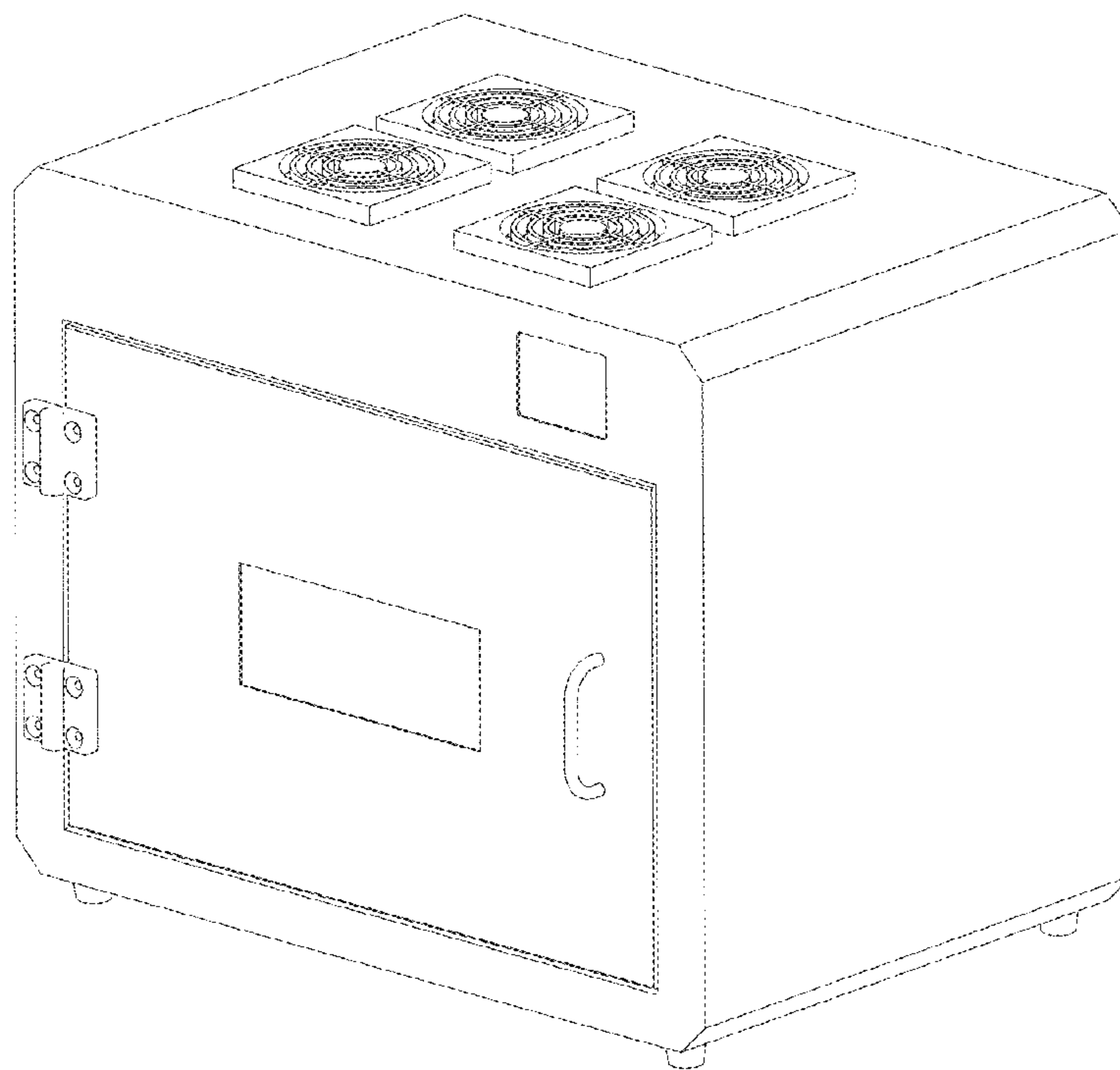


Fig. 8