



US00D883011S

(12) **United States Design Patent**
Zhou

(10) **Patent No.:** **US D883,011 S**

(45) **Date of Patent:** **** May 5, 2020**

- (54) **ELECTRIC FRYER**
- (71) Applicant: **ILLINOIS TOOL WORKS INC.,**
Glenview, IL (US)
- (72) Inventor: **Zhanhua Zhou,** Guangzhou (CN)
- (73) Assignee: **ILLINOIS TOOL WORKS INC.,**
Glenview, IL (US)
- (**) Term: **15 Years**
- (21) Appl. No.: **29/658,266**
- (22) Filed: **Jul. 30, 2018**

- (30) **Foreign Application Priority Data**
Feb. 1, 2018 (CN) 2018 3 0047689
- (51) **LOC (12) Cl.** **07-02**
- (52) **U.S. Cl.**
USPC **D7/339**
- (58) **Field of Classification Search**
USPC D7/323, 339, 350.4, 354-361
CPC A23L 1/01; A23L 1/0107; A23L 1/0114;
A47J 27/00; A47J 27/08; A47J 27/09;
A47J 27/092; A47J 36/025; A47J 36/06;
A47J 36/08; A47J 36/10; A47J 36/12;
A47J 36/165; A47J 36/18; A47J 36/20;
A47J 36/22; A47J 37/00; A47J 37/12;
A47J 37/1204; A47J 37/1209; A47J
37/1214; A47J 37/1219; A47J 37/1223;
A47J 37/1247; A47J 37/1257; A47J
37/1266; A47J 37/1285; A47J 37/129;
A47J 37/1295; G07F 17/0064; G07F
17/0078; G07F 17/0085; H05B 6/02;
H05B 6/06; H05B 6/12
See application file for complete search history.

- (56) **References Cited**
U.S. PATENT DOCUMENTS
3,242,849 A * 3/1966 Wells A47J 37/1219
99/411
D215,383 S * 9/1969 Moore D7/339

- 3,525,299 A * 8/1970 Gouwens A47J 37/1219
99/336
- 3,720,155 A * 3/1973 Fritzsche A47J 37/1257
99/337
- D242,947 S * 1/1977 Graham D7/354
- 4,487,691 A * 12/1984 Panora A47J 37/1233
210/167.28
- 5,253,566 A * 10/1993 McCabe A47J 37/1247
126/343.5 R
- D351,966 S * 11/1994 King D7/339
- D414,649 S * 10/1999 King D34/14
- D428,563 S * 7/2000 Russett D7/350.4
- 8,133,520 B2 * 3/2012 Feinberg A47J 37/1223
426/302
- 2017/0258270 A1 * 9/2017 Man A47J 37/1209
- 2017/0258271 A1 * 9/2017 Man A47J 37/1266

* cited by examiner

Primary Examiner — Ricky Pham
(74) *Attorney, Agent, or Firm* — Thompson Hine LLP

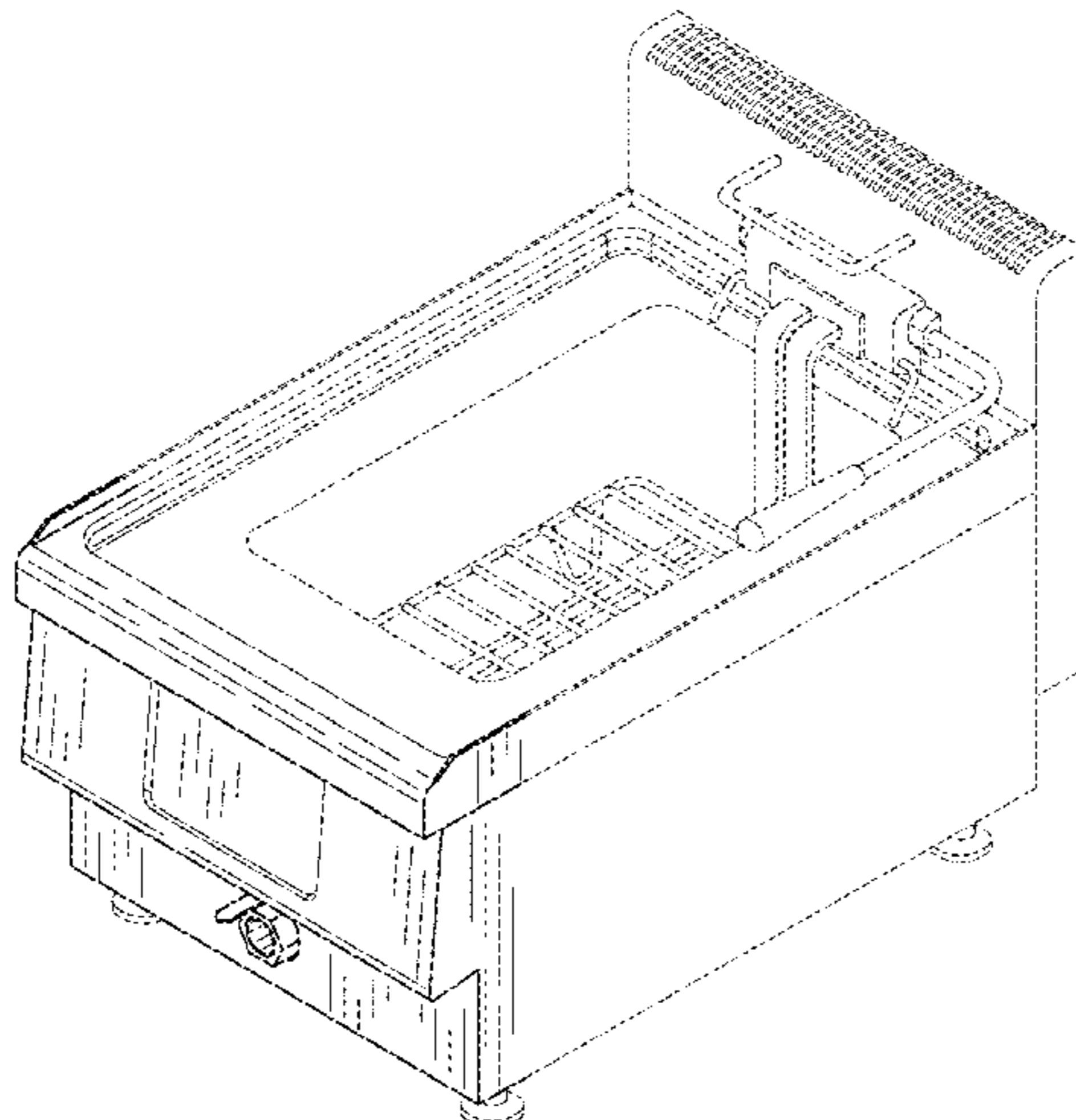
(57) **CLAIM**

The ornamental design for an electric fryer, as shown and described.

DESCRIPTION

FIG. 1 is a perspective view of an electric fryer;
FIG. 2 is a top view of the electric fryer;
FIG. 3 is a front view of the electric fryer;
FIG. 4 is a right side view of the electric fryer; and,
FIG. 5 is a left side view of the electric fryer.
The dash broken lines shown in the drawings are for purposes of illustrating portions of the electric fryer that form no part of the claimed design. In connection with the electric fryer, the rear portion and bottom portion of the electric fryer are not visible during ordinary use and form no part of the claimed design.

1 Claim, 3 Drawing Sheets



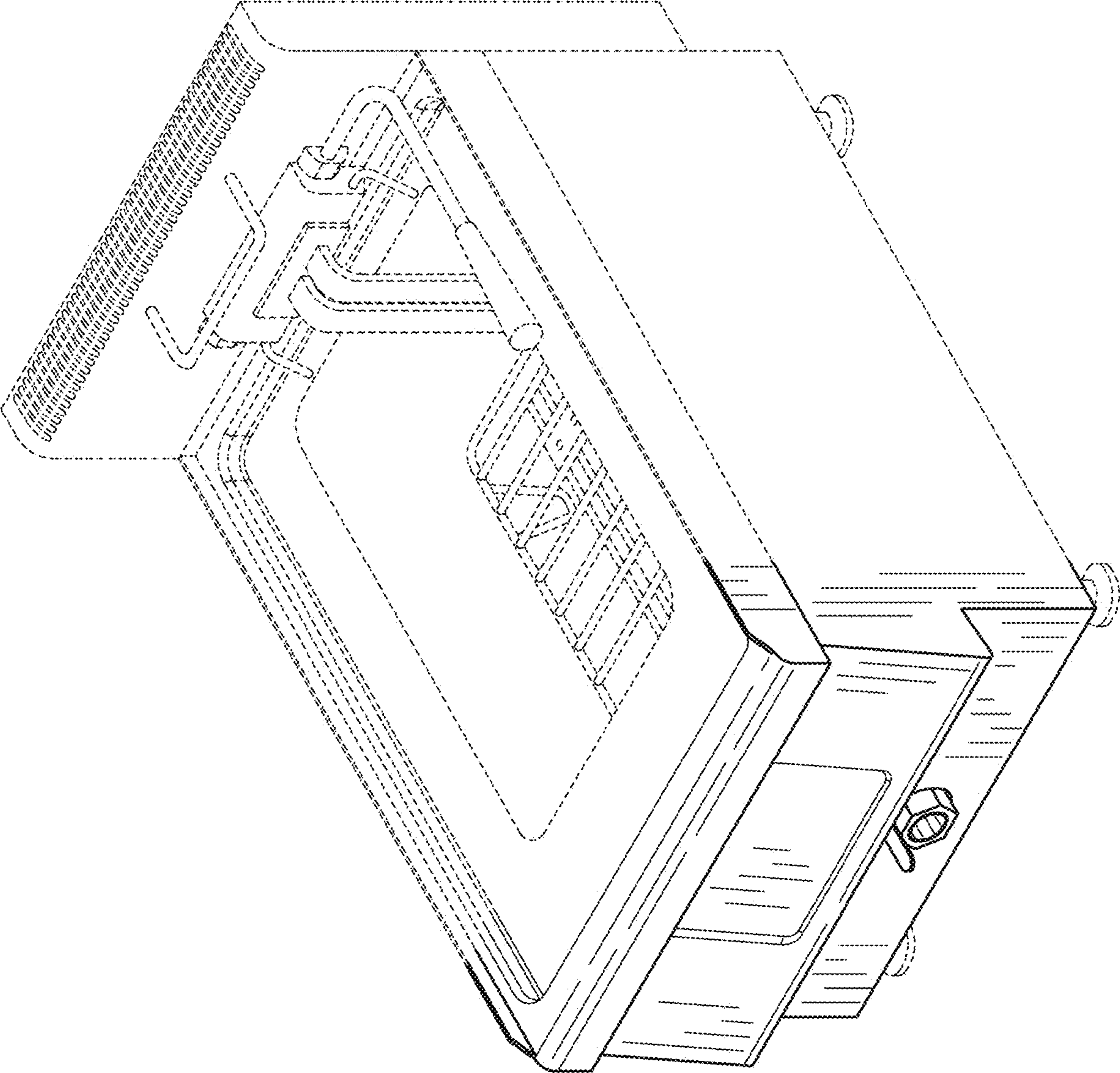


Fig. 1

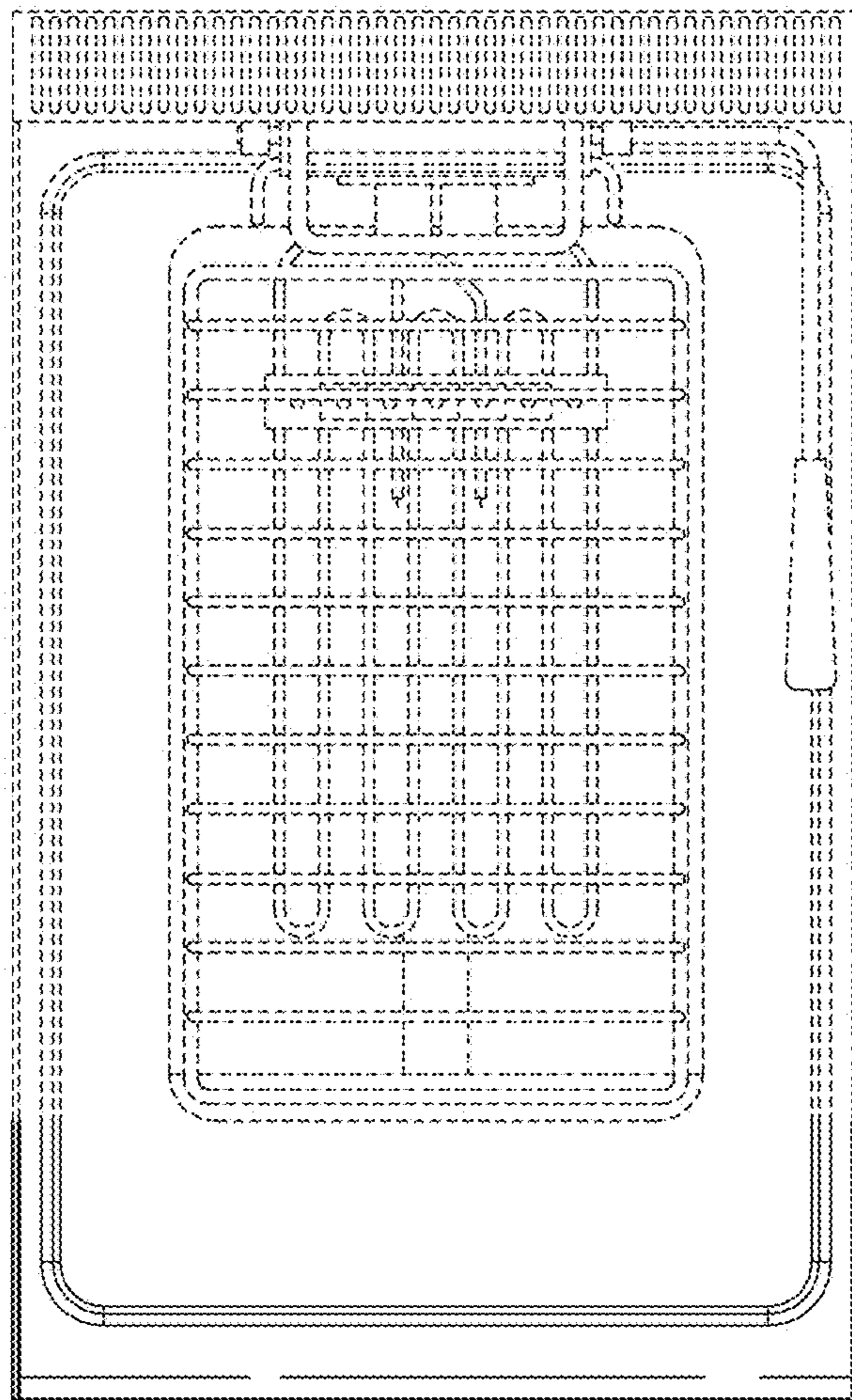


Fig. 2

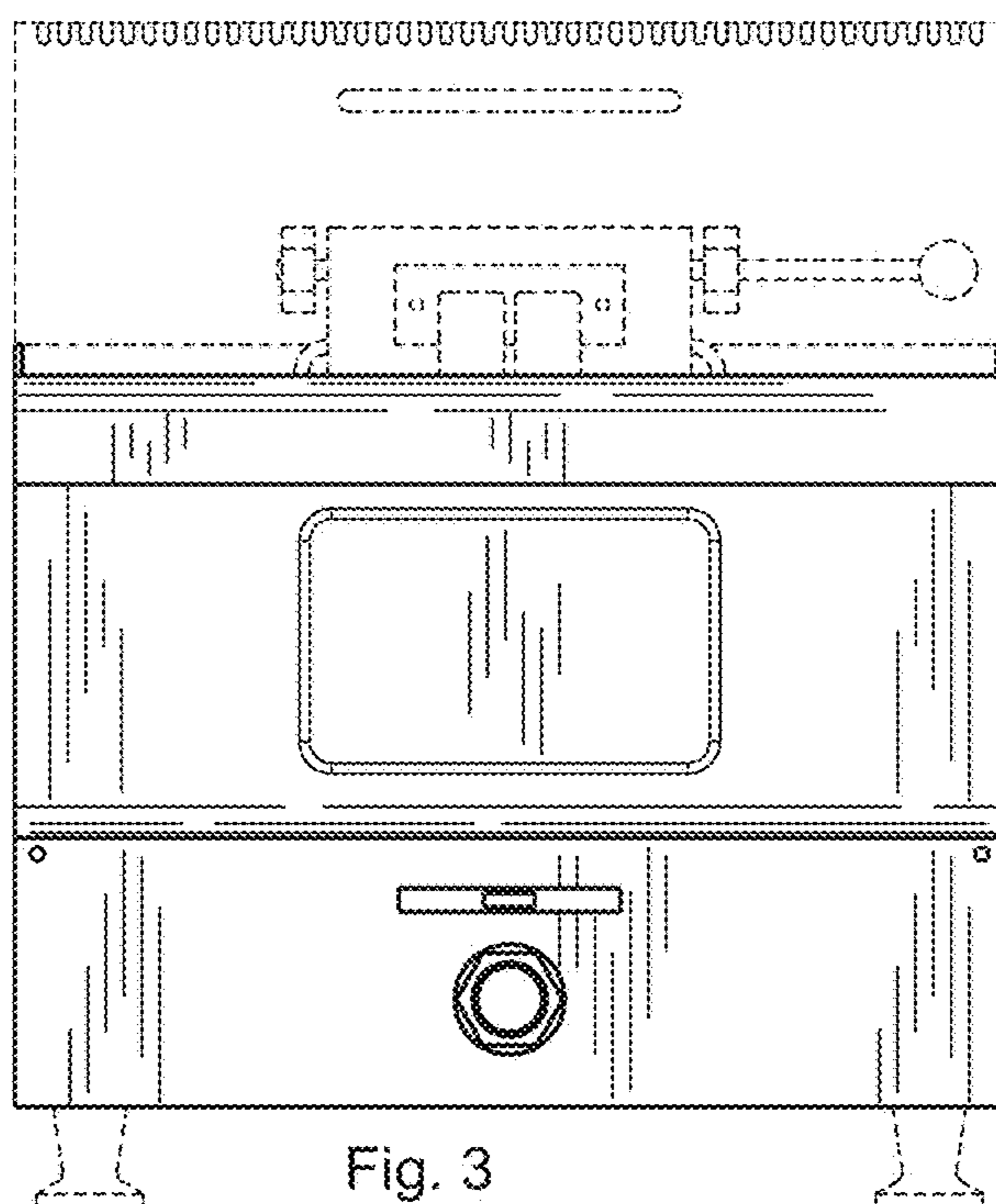


Fig. 3

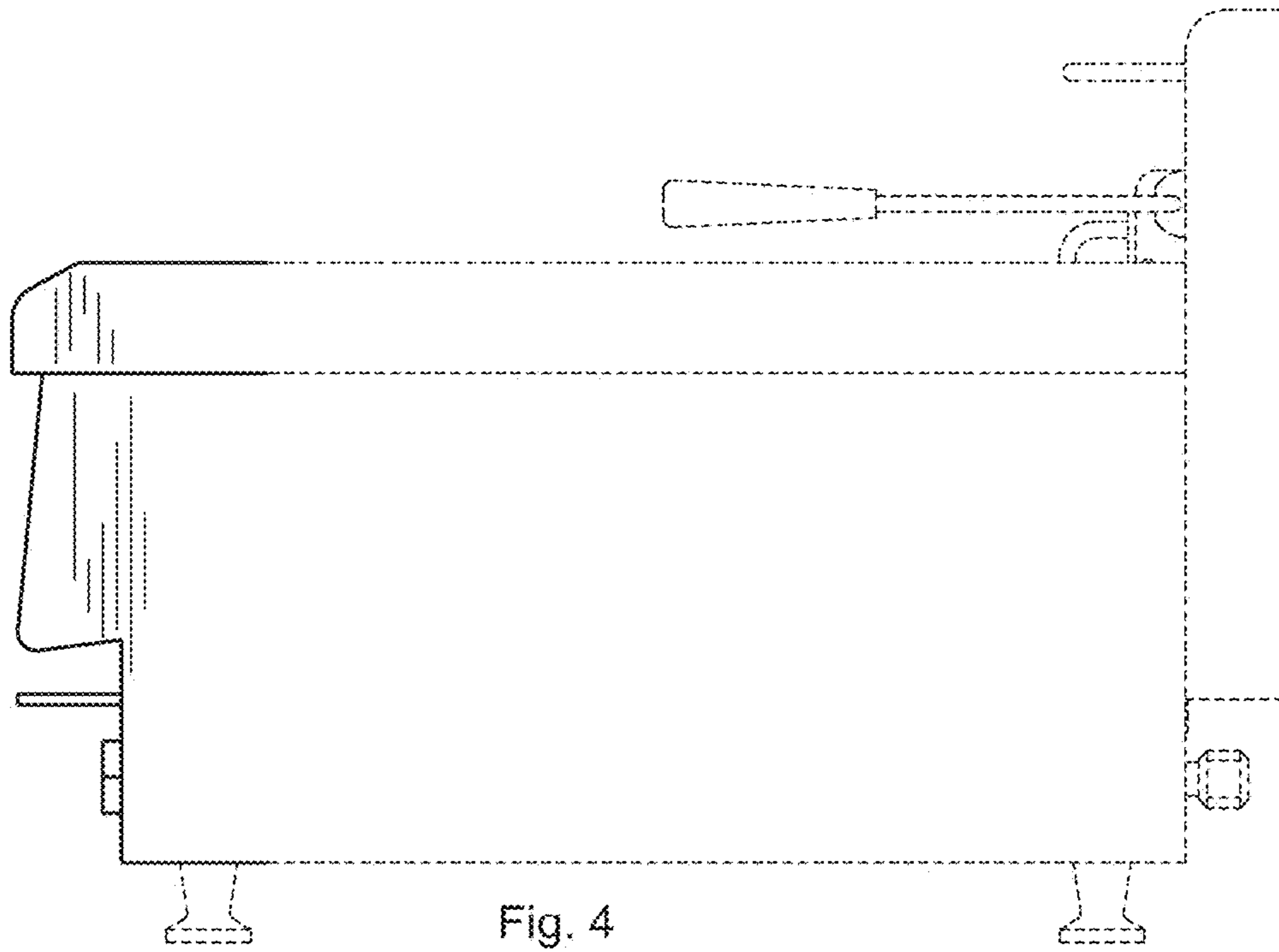


Fig. 4

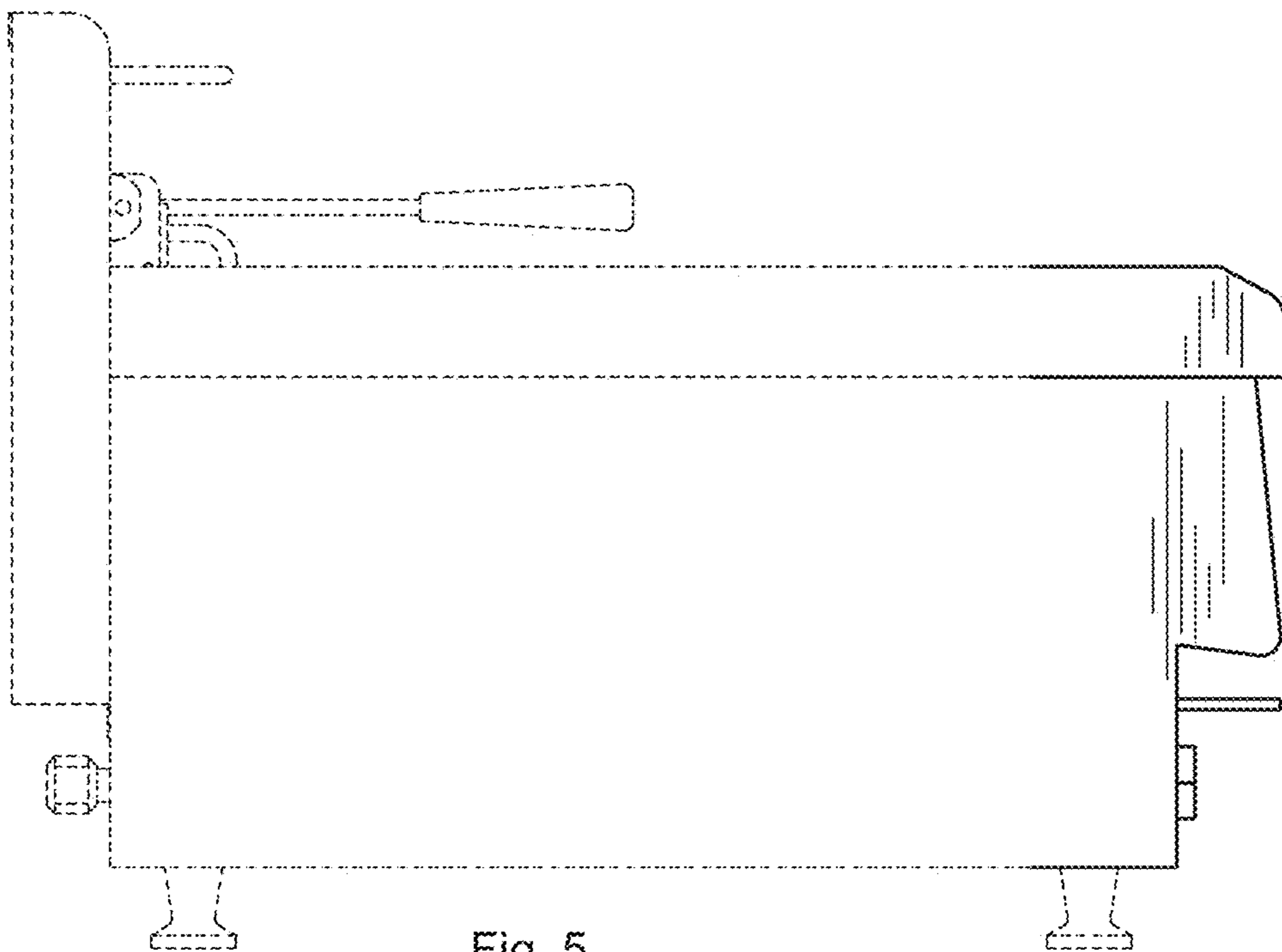


Fig. 5