



US00D883010S

(12) **United States Design Patent**  
**Zhou**

(10) **Patent No.:** **US D883,010 S**

(45) **Date of Patent:** **\*\* May 5, 2020**

- (54) **PASTA COOKER**
- (71) Applicant: **ILLINOIS TOOL WORKS INC.,**  
Glenview, IL (US)
- (72) Inventor: **Zhanhua Zhou,** Guangzhou (CN)
- (73) Assignee: **ILLINOIS TOOL WORKS INC.,**  
Glenview, IL (US)
- (\*\*) Term: **15 Years**
- (21) Appl. No.: **29/658,263**
- (22) Filed: **Jul. 30, 2018**

(30) **Foreign Application Priority Data**

Feb. 1, 2018 (CN) ..... 2018 3 0047714

(51) **LOC (12) Cl.** ..... **07-02**

(52) **U.S. Cl.**  
USPC ..... **D7/339**

(58) **Field of Classification Search**

USPC ..... D7/323, 339, 350.4, 354-361  
 CPC ..... A23L 1/01; A23L 1/0107; A23L 1/0114;  
 A47J 27/00; A47J 27/08; A47J 27/09;  
 A47J 27/092; A47J 36/025; A47J 36/06;  
 A47J 36/08; A47J 36/10; A47J 36/12;  
 A47J 36/165; A47J 36/18; A47J 36/20;  
 A47J 36/22; A47J 37/00; A47J 37/12;  
 A47J 37/1204; A47J 37/1209; A47J  
 37/1214; A47J 37/1219; A47J 37/1223;  
 A47J 37/1247; A47J 37/1257; A47J  
 37/1266; A47J 37/1285; A47J 37/129;  
 A47J 37/1295; G07F 17/0064; G07F  
 17/0078; G07F 17/0085; H05B 6/02;  
 H05B 6/06; H05B 6/12

See application file for complete search history.

(56) **References Cited**

**U.S. PATENT DOCUMENTS**

- 3,242,849 A \* 3/1966 Wells ..... A47J 37/1219  
99/411
- D215,383 S \* 9/1969 Moore ..... D7/339

- 3,525,299 A \* 8/1970 Gouwens ..... A47J 37/1219  
99/336
- 3,720,155 A \* 3/1973 Fritzsche ..... A47J 37/1257  
99/337
- D242,947 S \* 1/1977 Graham ..... D7/354
- 4,487,691 A \* 12/1984 Panora ..... A47J 37/1233  
210/167.28
- 5,253,566 A \* 10/1993 McCabe ..... A47J 37/1247  
126/343.5 R
- D351,966 S \* 11/1994 King ..... D7/339
- D414,649 S \* 10/1999 King ..... D34/14
- D428,563 S \* 7/2000 Russett ..... D7/350.4
- 8,133,520 B2 \* 3/2012 Feinberg ..... A47J 37/1223  
426/302
- 2017/0258270 A1 \* 9/2017 Man ..... A47J 37/1209
- 2017/0258271 A1 \* 9/2017 Man ..... A47J 37/1266

\* cited by examiner

*Primary Examiner* — Ricky Pham

(74) *Attorney, Agent, or Firm* — Thompson Hine LLP

(57) **CLAIM**

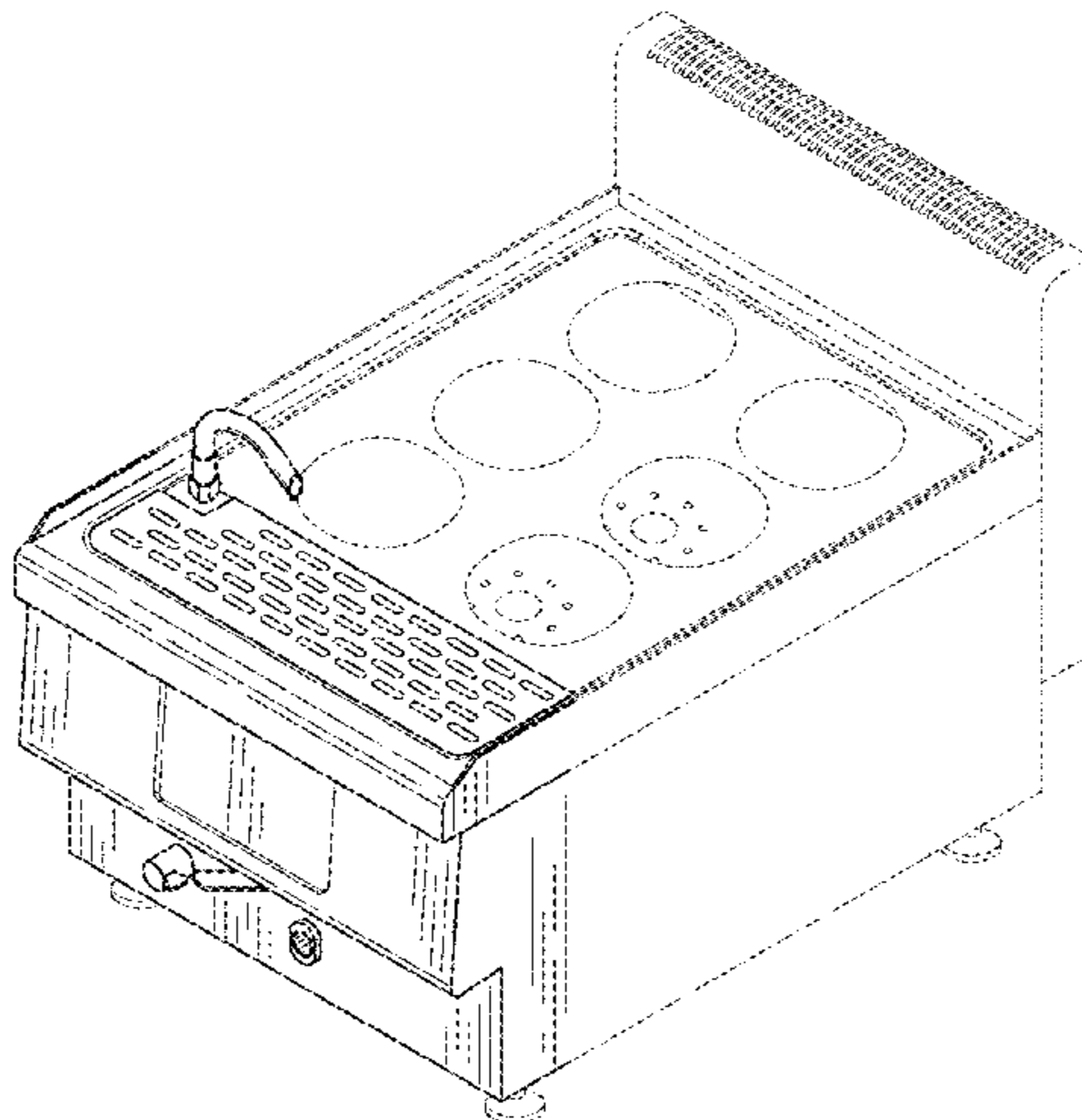
The ornamental design for a pasta cooker, as shown and described.

**DESCRIPTION**

FIG. 1 is a perspective view of a pasta cooker;  
 FIG. 2 is a top view of the pasta cooker;  
 FIG. 3 is a front view of the pasta cooker;  
 FIG. 4 is a right side view of the pasta cooker; and,  
 FIG. 5 is a left side view of the pasta cooker.

The dash broken lines shown in the drawings are for purposes of illustrating portions of the pasta cooker that form no part of the claimed design. In connection with the pasta cooker, the rear portion and bottom portion of the pasta cooker are not visible during ordinary use and form no part of the claimed design.

**1 Claim, 3 Drawing Sheets**



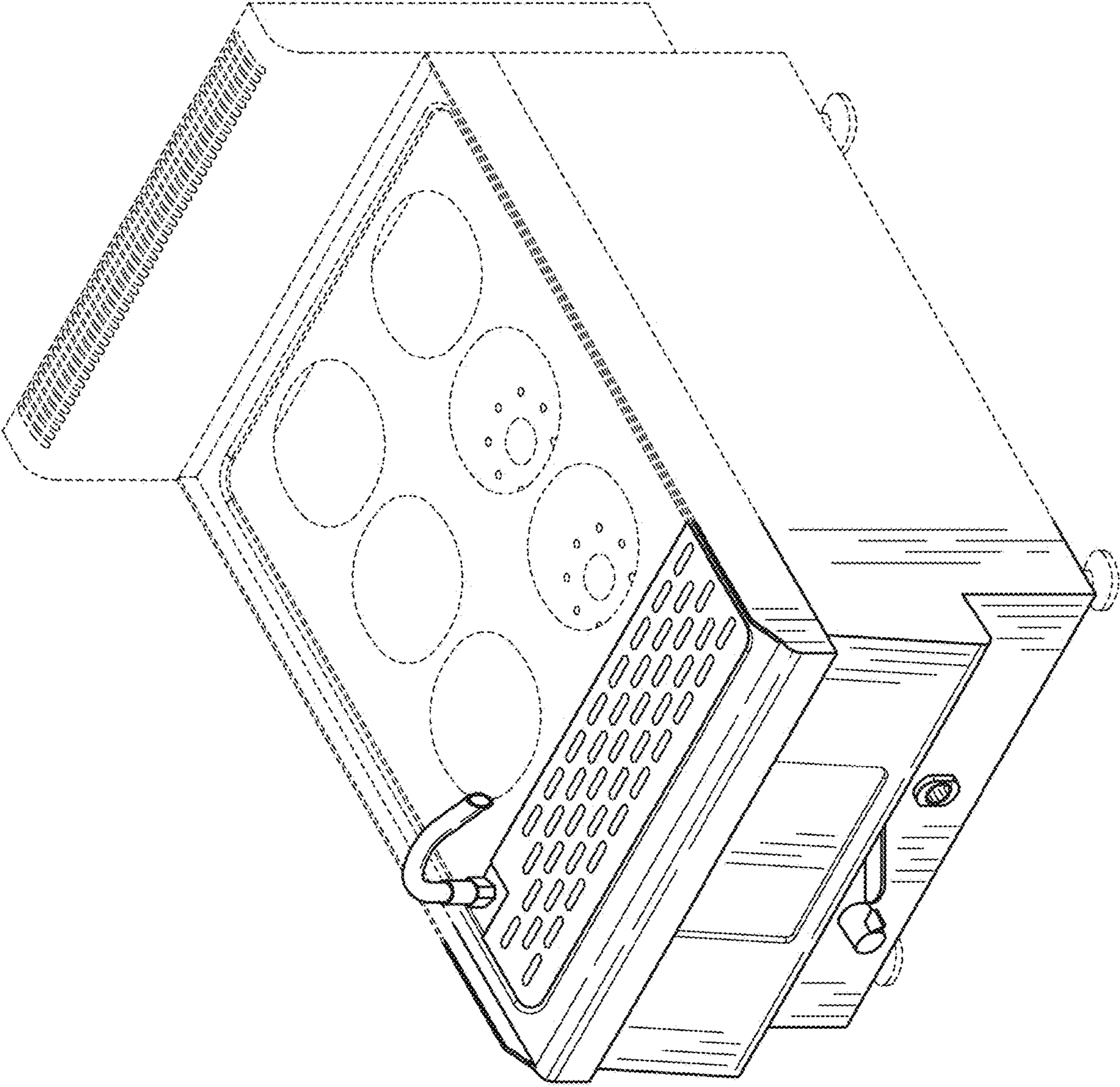


Fig. 1

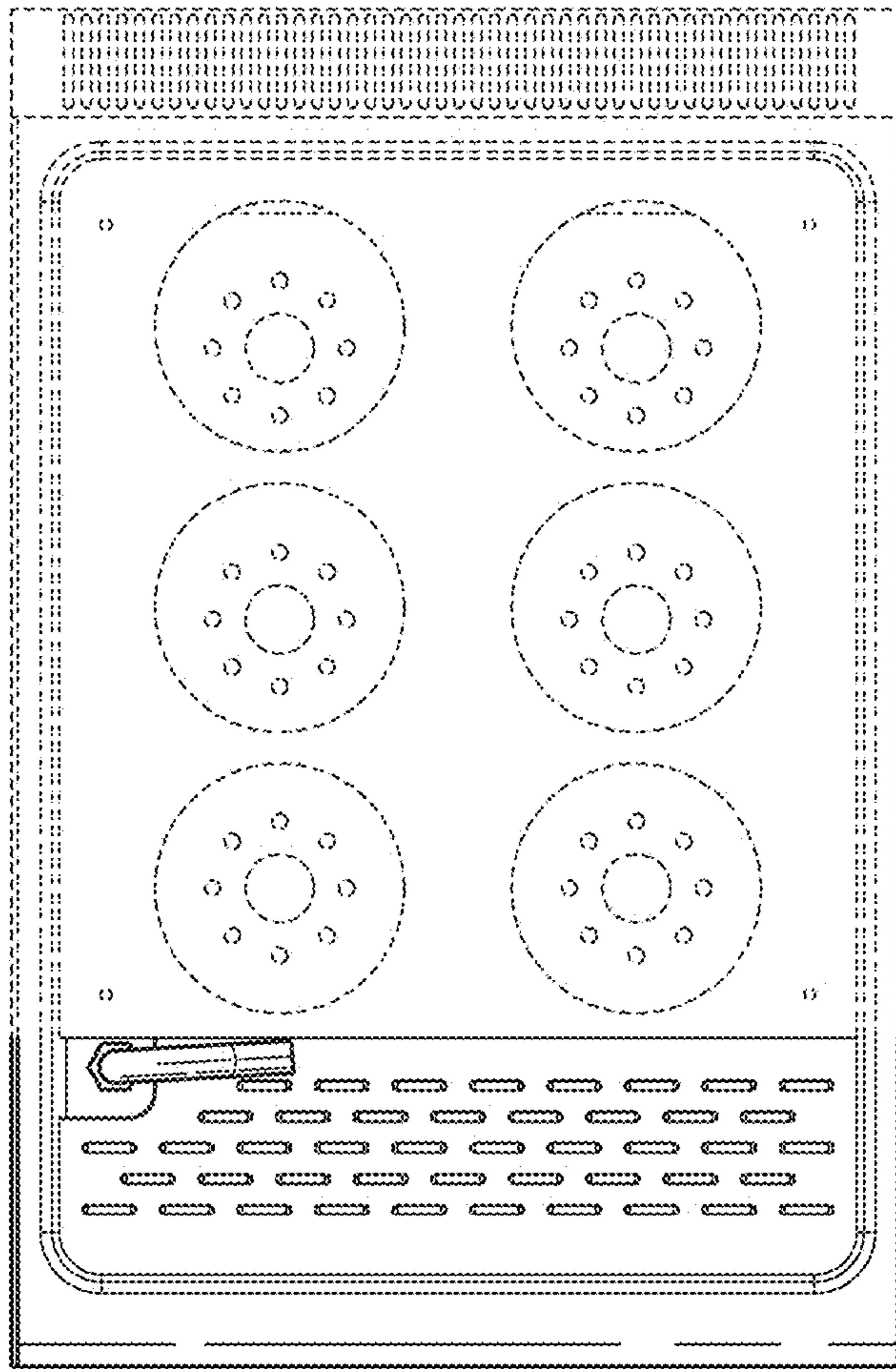


Fig. 2

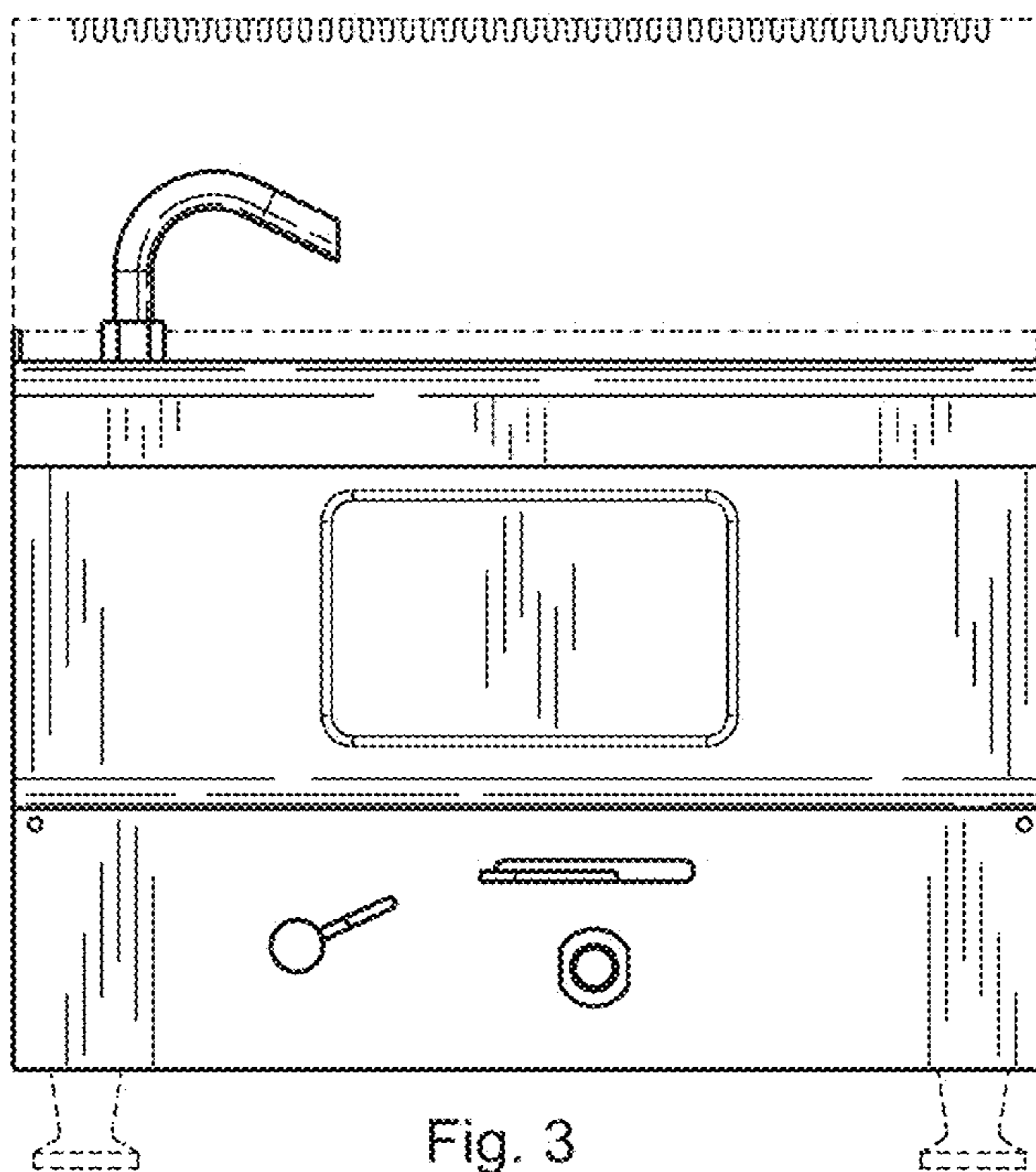


Fig. 3

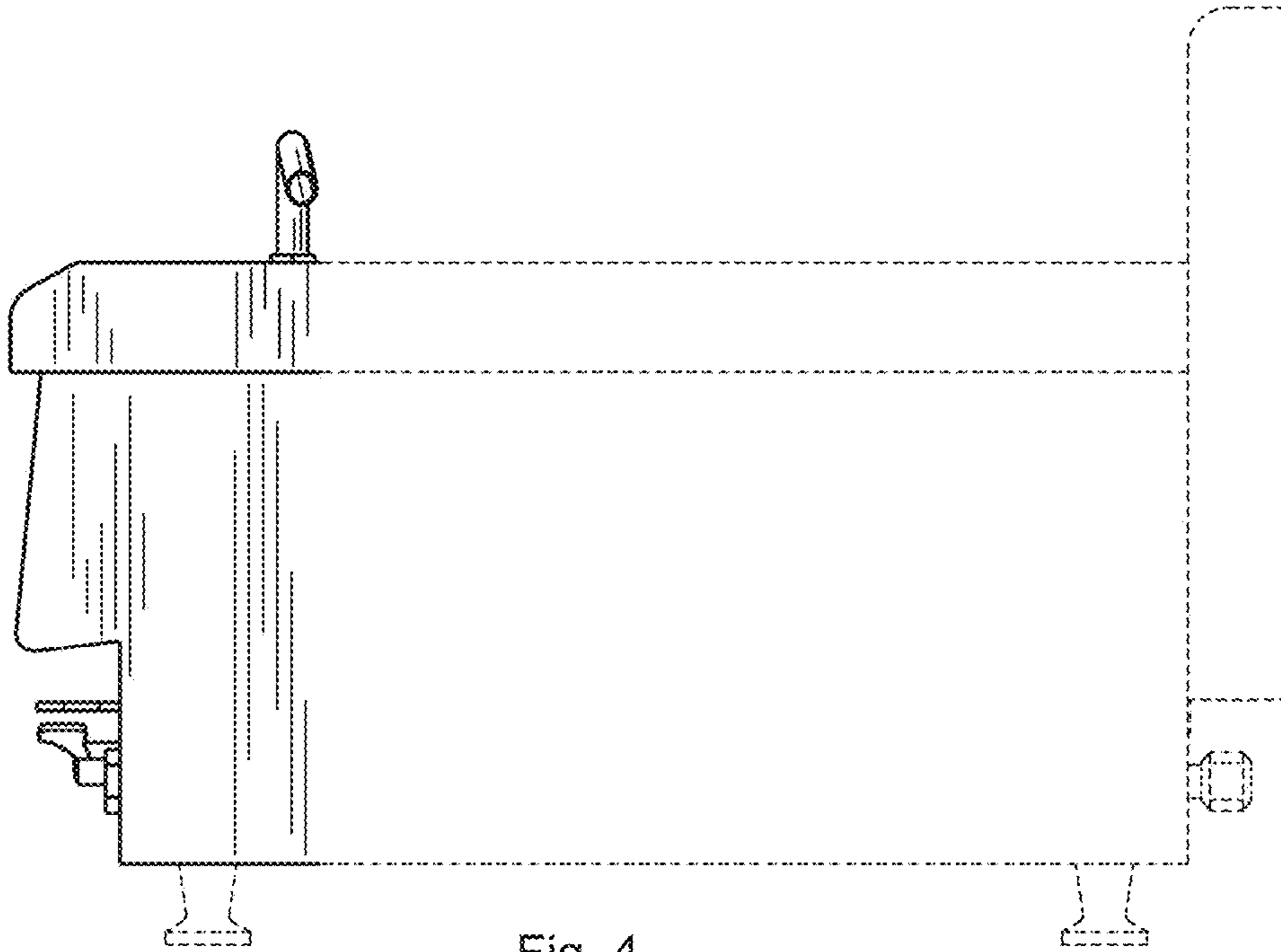


Fig. 4

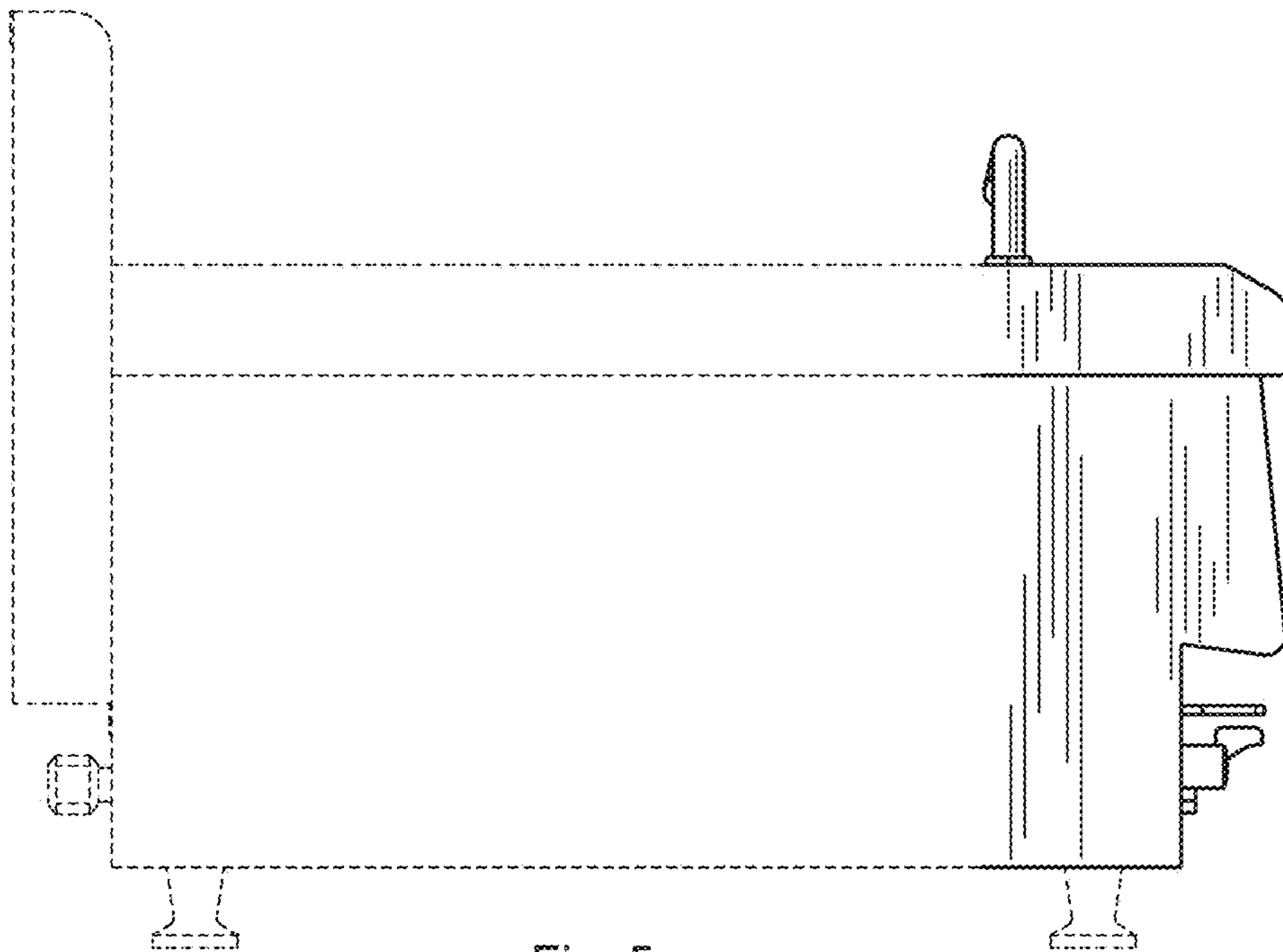


Fig. 5