



US00D883009S

(12) **United States Design Patent**
Lien

(10) **Patent No.:** **US D883,009 S**

(45) **Date of Patent:** **** May 5, 2020**

(54) **BARBEQUE ASSEMBLY**

(71) Applicant: **MOR DESIGNS LTD.**, Taipei (TW)

(72) Inventor: **Hung Mei Lien**, Taipei (TW)

(73) Assignee: **MOR DESIGNS LTD.**, Taipei (TW)

(**) Term: **15 Years**

(21) Appl. No.: **29/654,501**

(22) Filed: **Jun. 25, 2018**

(30) **Foreign Application Priority Data**

Oct. 24, 2017 (CN) 2017 3 0508576

(51) **LOC (12) Cl.** **07-02**

(52) **U.S. Cl.**
USPC **D7/334**

(58) **Field of Classification Search**
USPC D7/332-337, 402-409; 126/25 R
CPC A47J 37/07-0786; A47J 33/00; A47J
2037/0777; A47J 2037/0795; A23B
4/044-056

See application file for complete search history.

(56) **References Cited**

U.S. PATENT DOCUMENTS

5,582,094	A *	12/1996	Peterson	A47J 37/0786	99/445
D680,365	S *	4/2013	Chung	D7/334	
D680,366	S *	4/2013	Chung	D7/334	
D687,667	S *	8/2013	Chien	D7/334	
D688,082	S *	8/2013	Crick	D7/334	
D717,097	S *	11/2014	Lin	D7/334	
D717,098	S *	11/2014	Chung	D7/334	
D726,490	S *	4/2015	Spencer	D7/332	
D737,092	S *	8/2015	Lin	D7/334	
D742,681	S *	11/2015	Pai	D7/337	

(Continued)

Primary Examiner — Brett Miller

(74) *Attorney, Agent, or Firm* — Nixon & Vanderhye PC

(57) **CLAIM**

The ornamental design for a barbeque assembly, as shown and described.

DESCRIPTION

FIG. 1 a front view of a barbeque assembly in an unfolded state;

FIG. 2 is a rear view of the barbeque assembly;

FIG. 3 is a left side view of the barbeque assembly;

FIG. 4 is a right side view of the barbeque assembly;

FIG. 5 is a top view of the barbeque assembly;

FIG. 6 is a bottom view of the barbeque assembly;

FIG. 7 is a perspective view of the barbeque assembly;

FIG. 8 is a first perspective view of the barbeque assembly in a collapsed state;

FIG. 9 is a second perspective view of the barbeque assembly in a collapsed state;

FIG. 10 a front view of a grill element of the barbeque assembly without supporting portion, shown in isolation;

FIG. 11 is a rear view of the grill element of the barbeque assembly, shown in isolation;

FIG. 12 is a left side view of the grill element of the barbeque assembly, shown in isolation;

FIG. 13 is a right side view of the grill element of the barbeque assembly, shown in isolation;

FIG. 14 is a top view of the grill element of the barbeque assembly, shown in isolation thereof;

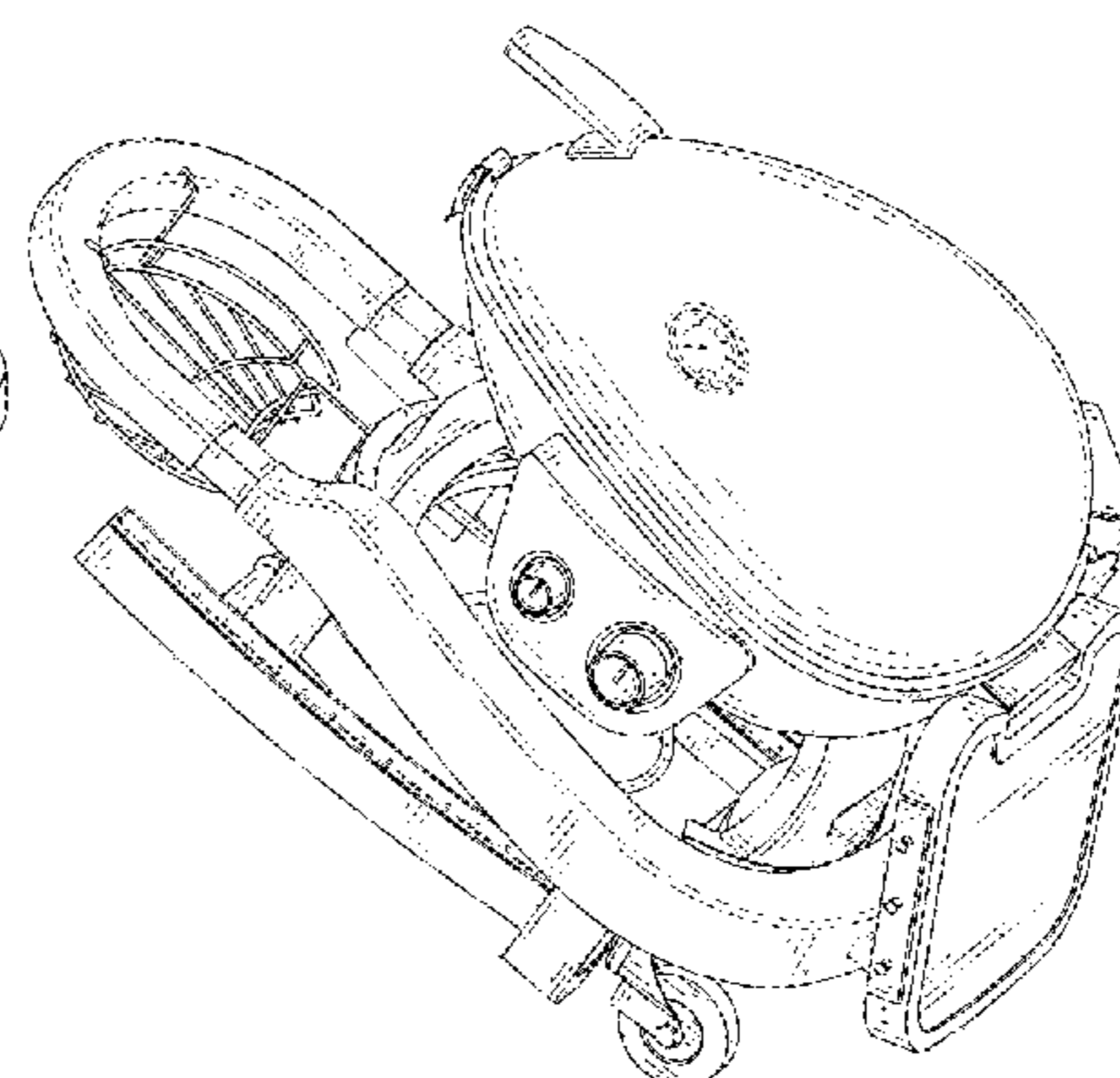
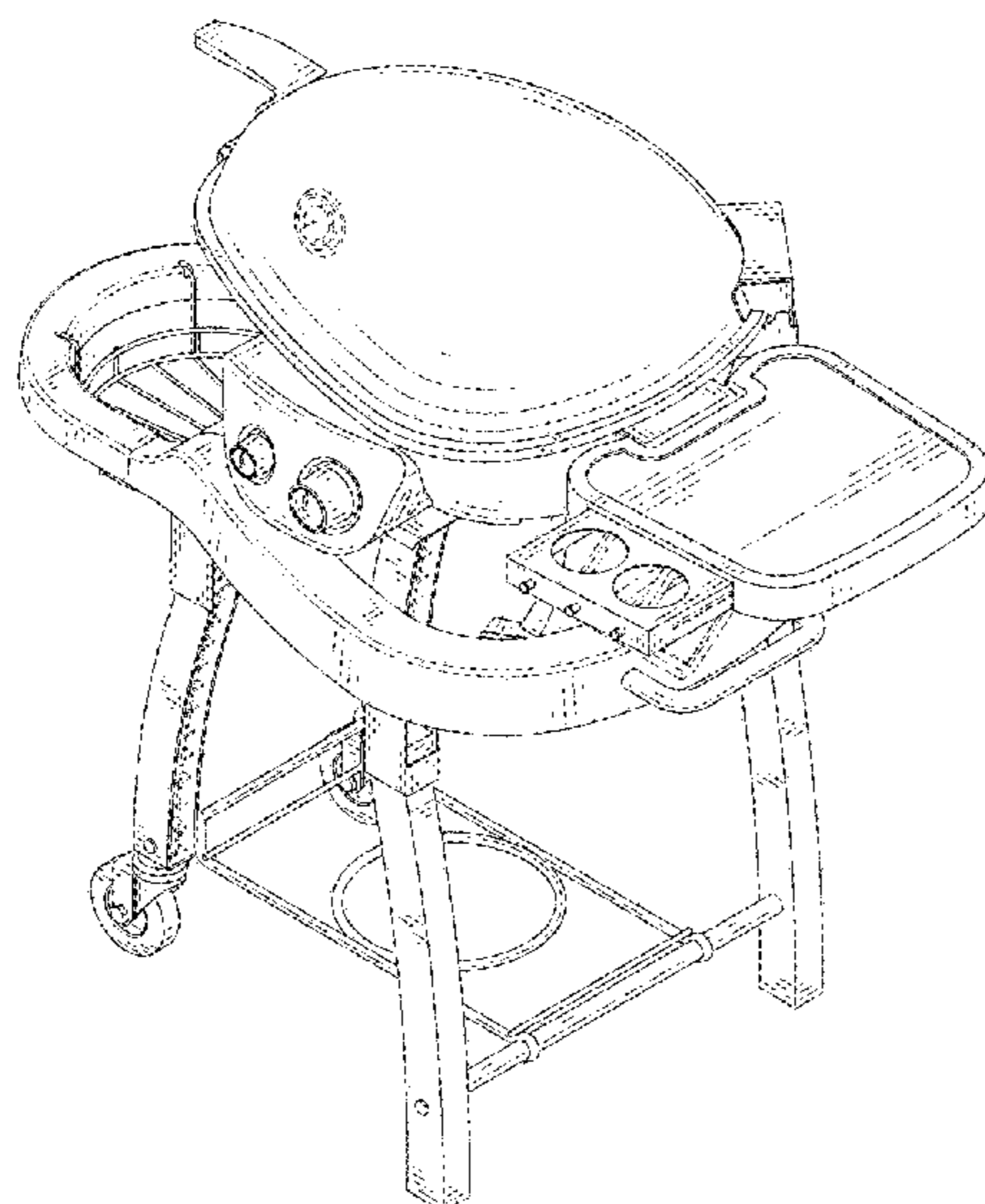
FIG. 15 is a bottom view of the grill element of the barbeque assembly, shown in isolation;

FIG. 16 is a first perspective view of the grill element of the barbeque assembly, shown in isolation; and,

FIG. 17 is a second perspective view of the grill element of the barbeque assembly, shown in isolation.

The broken lines depict portions of the barbeque that form no part of the claimed design. The broken lines immediately adjacent the shaded areas represent the bounds of the claimed design.

1 Claim, 17 Drawing Sheets



(56)

References Cited

U.S. PATENT DOCUMENTS

D744,775 S * 12/2015 Yang D7/334
D760,012 S * 6/2016 Lin D7/337
D786,004 S * 5/2017 Yang D7/334
2005/0252504 A1* 11/2005 Cabrera A47J 37/0704
126/50
2013/0074822 A1* 3/2013 Chien A47J 37/0763
126/25 R

* cited by examiner

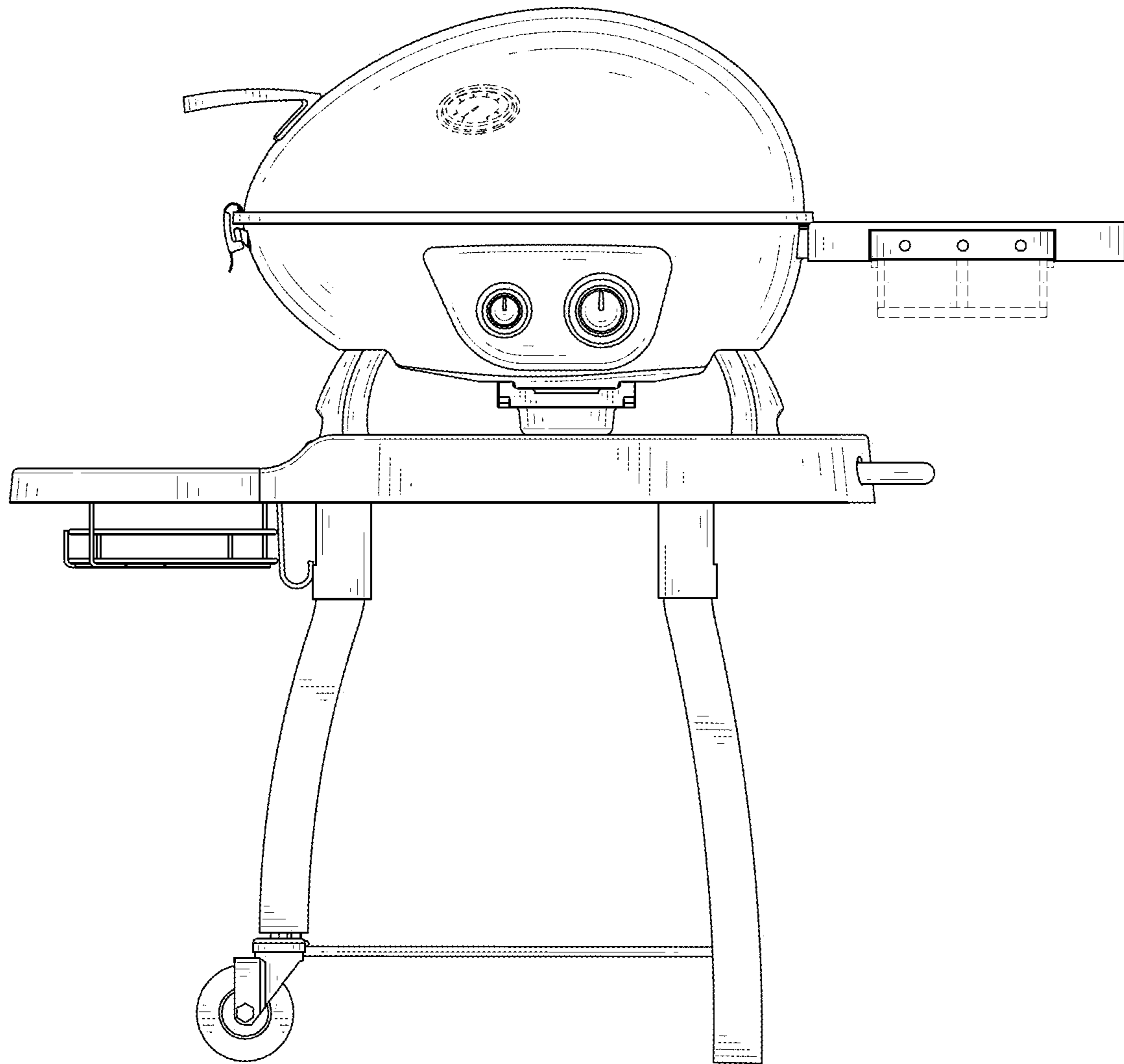


FIG. 1

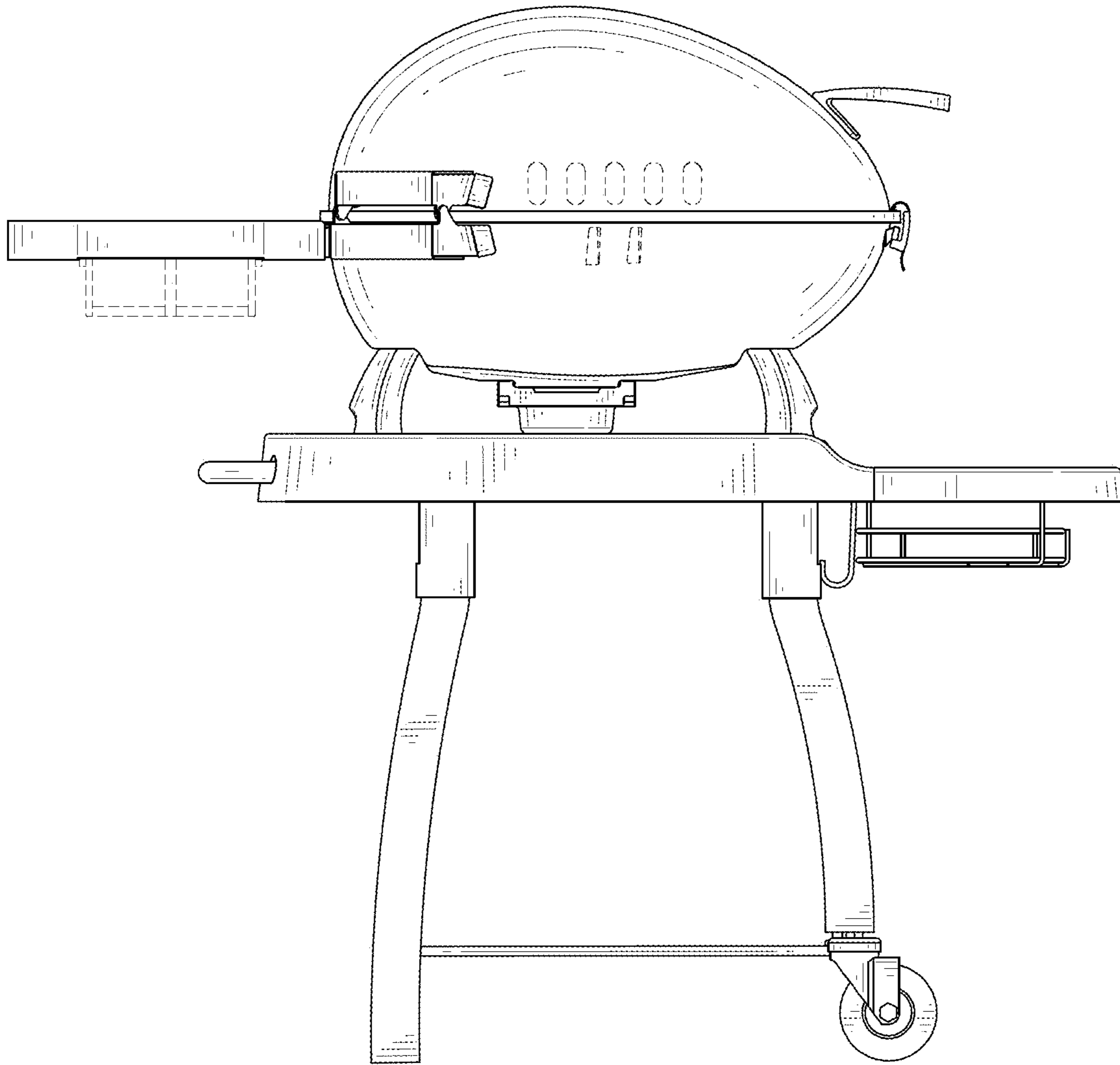


FIG. 2

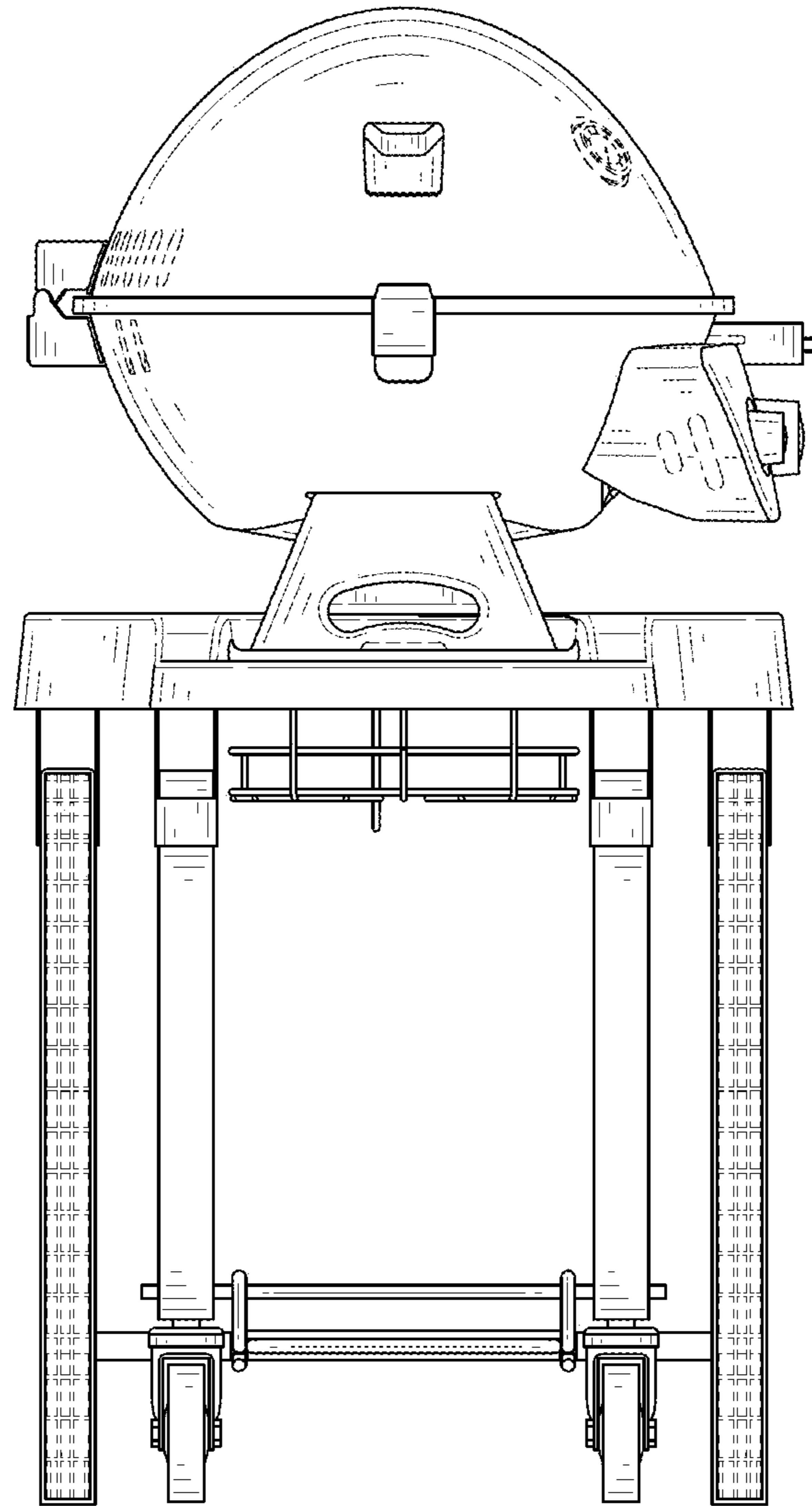


FIG. 3

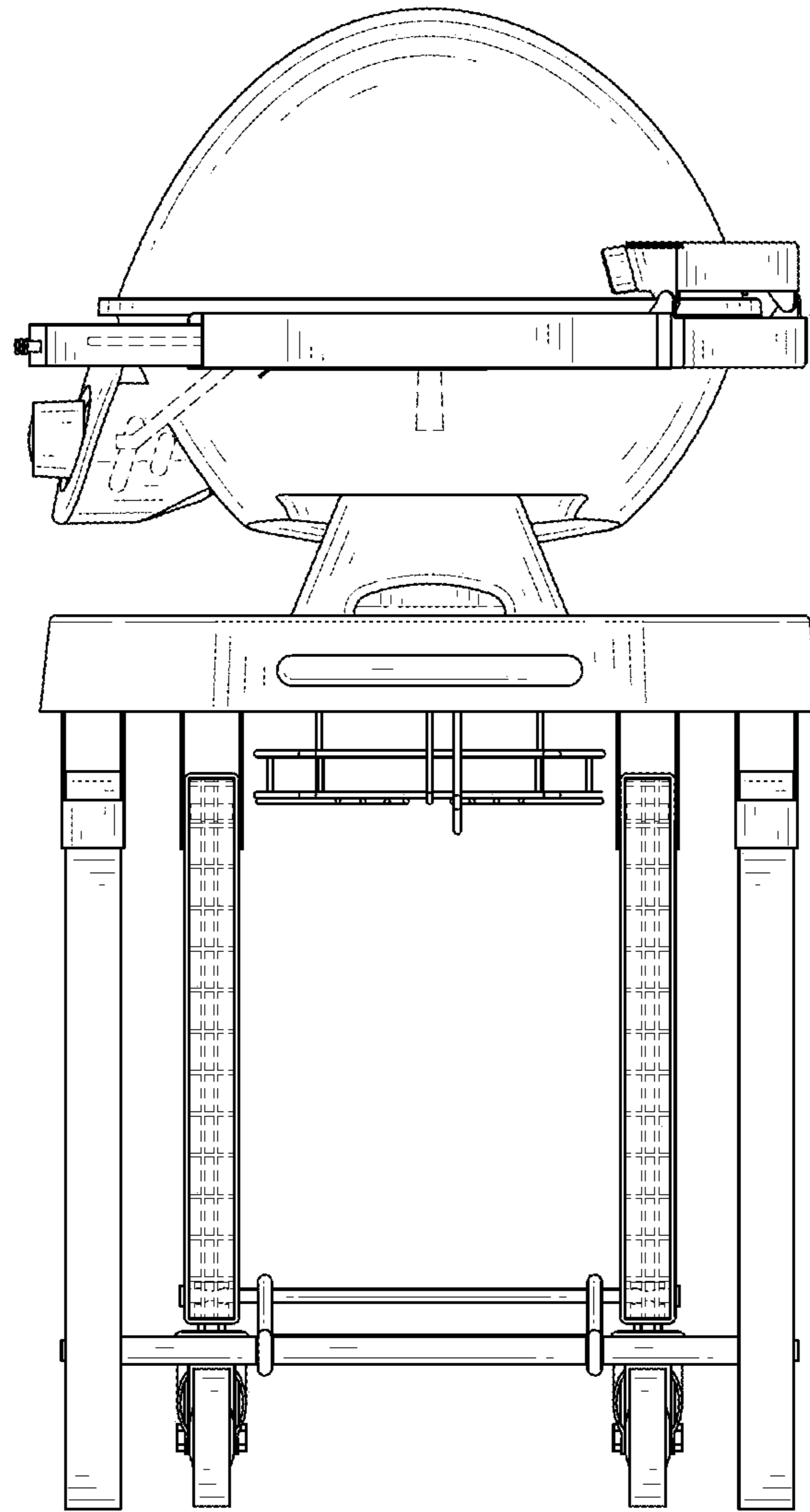


FIG. 4

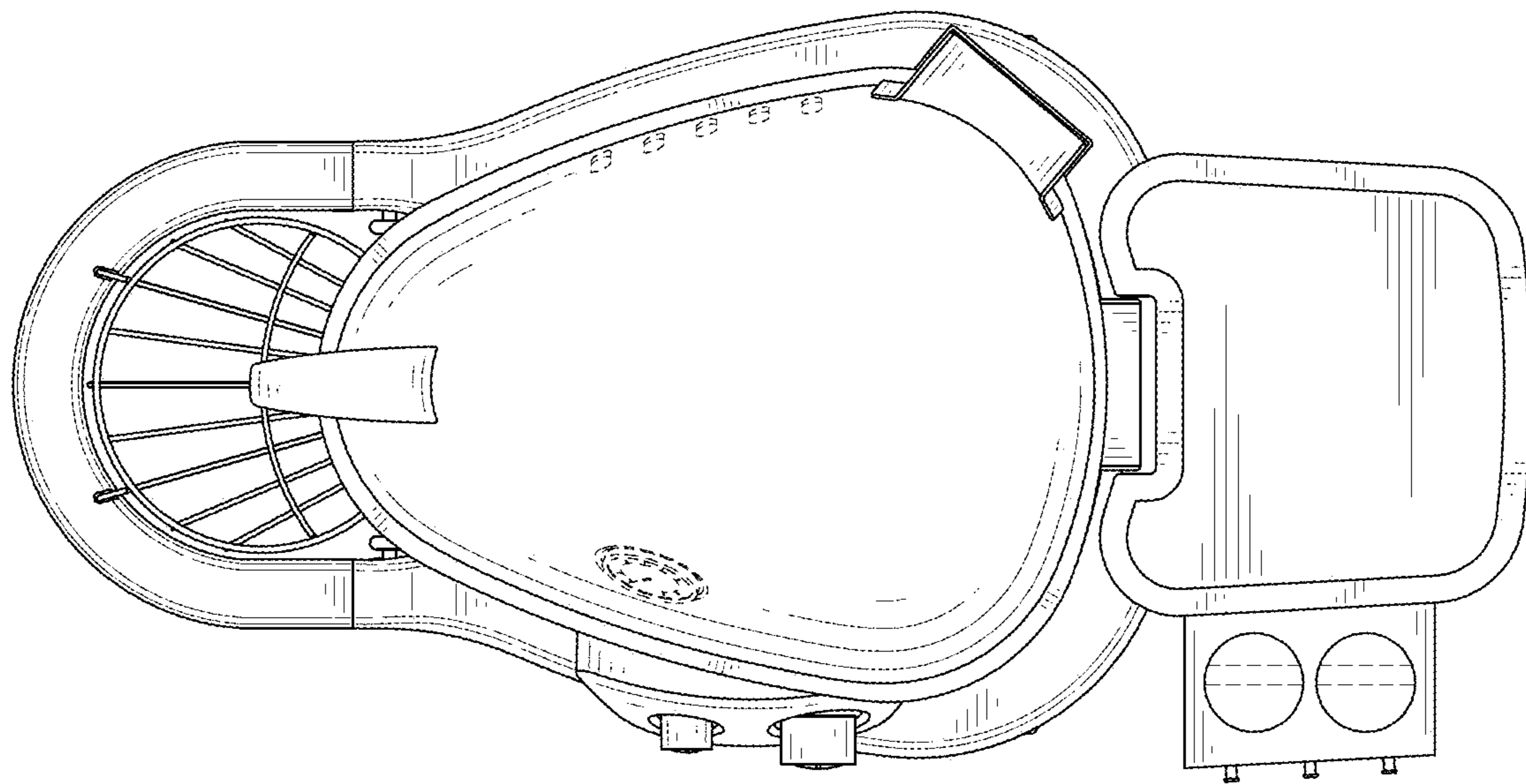


FIG. 5

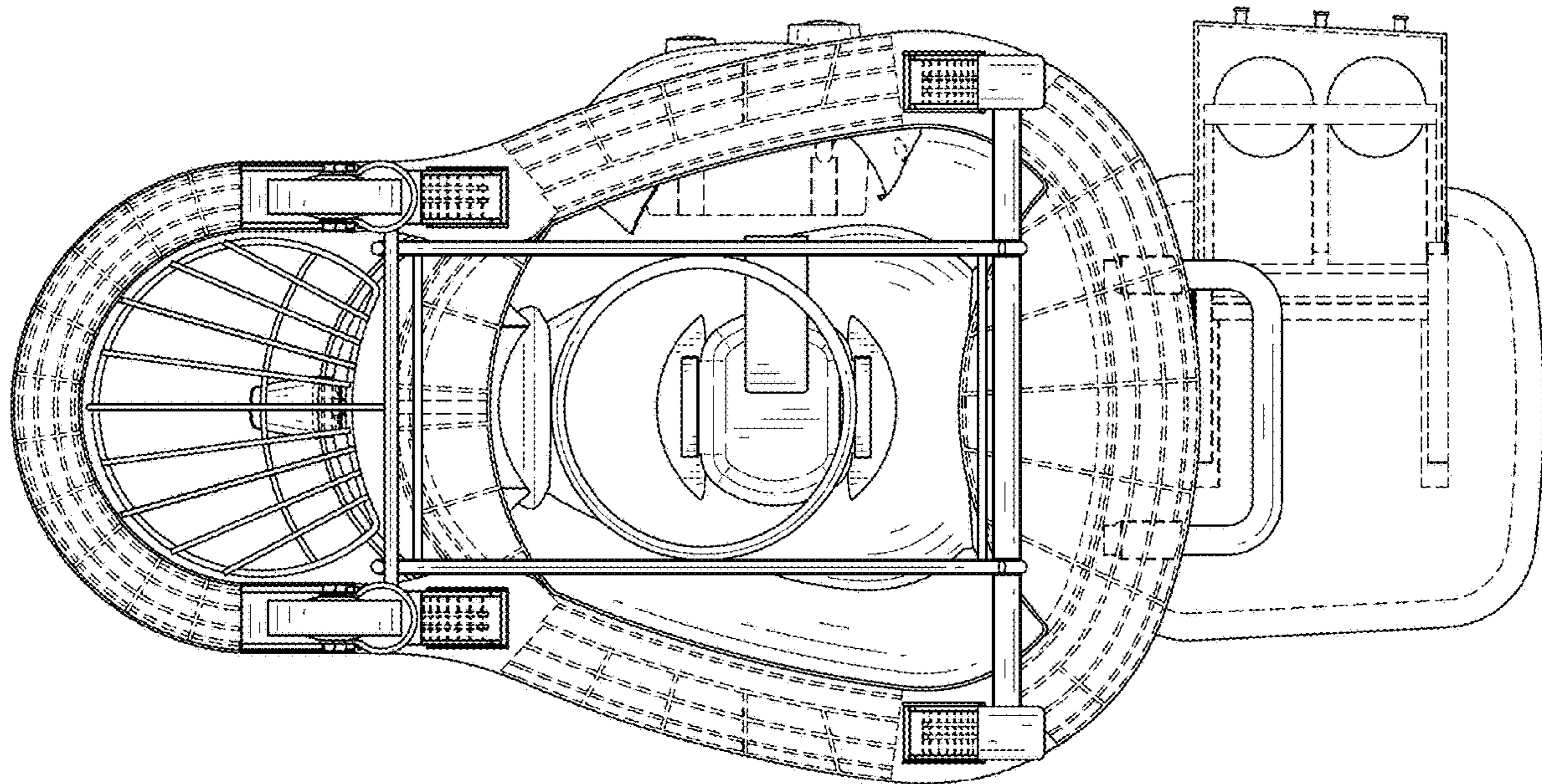


FIG. 6

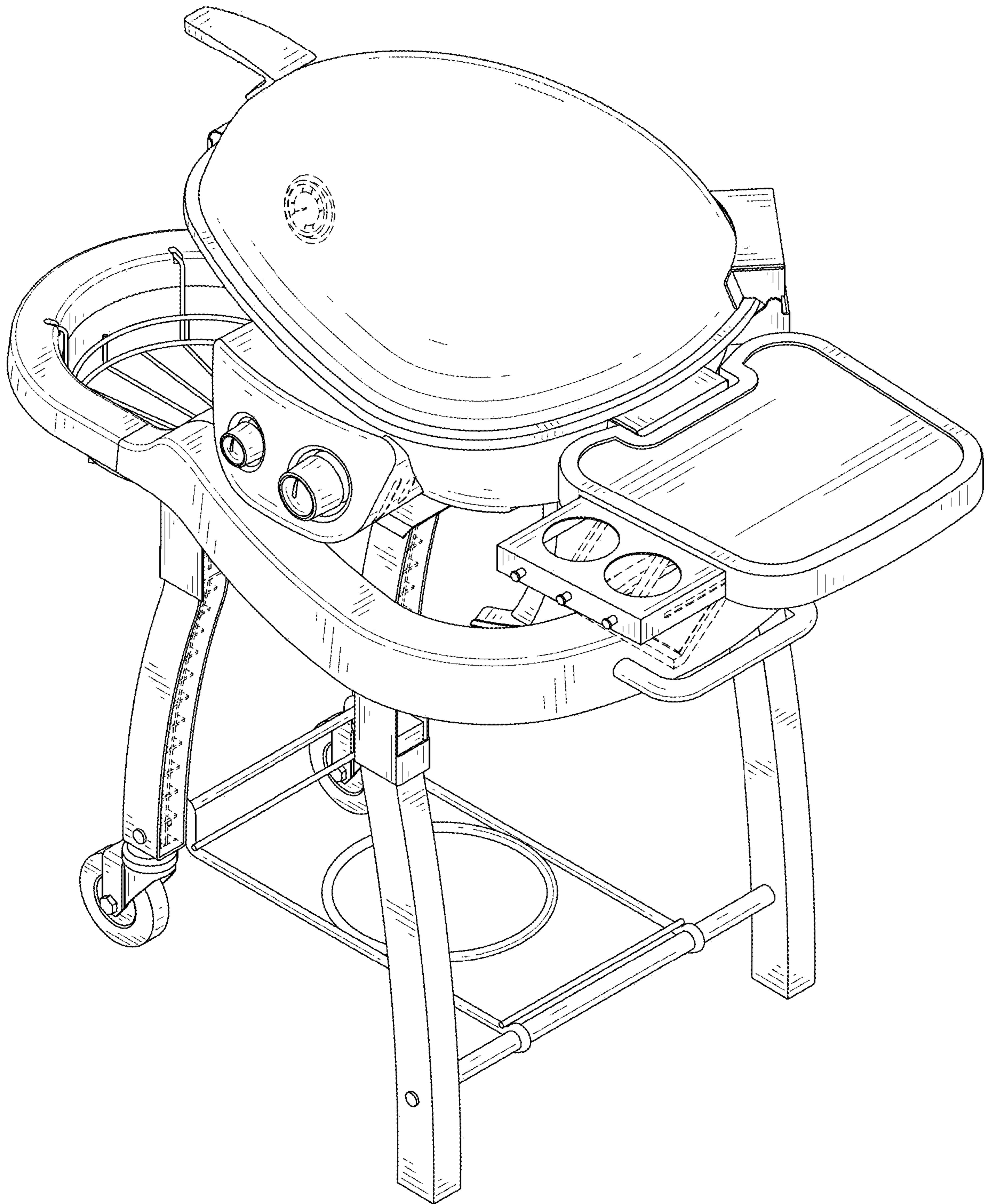


FIG. 7

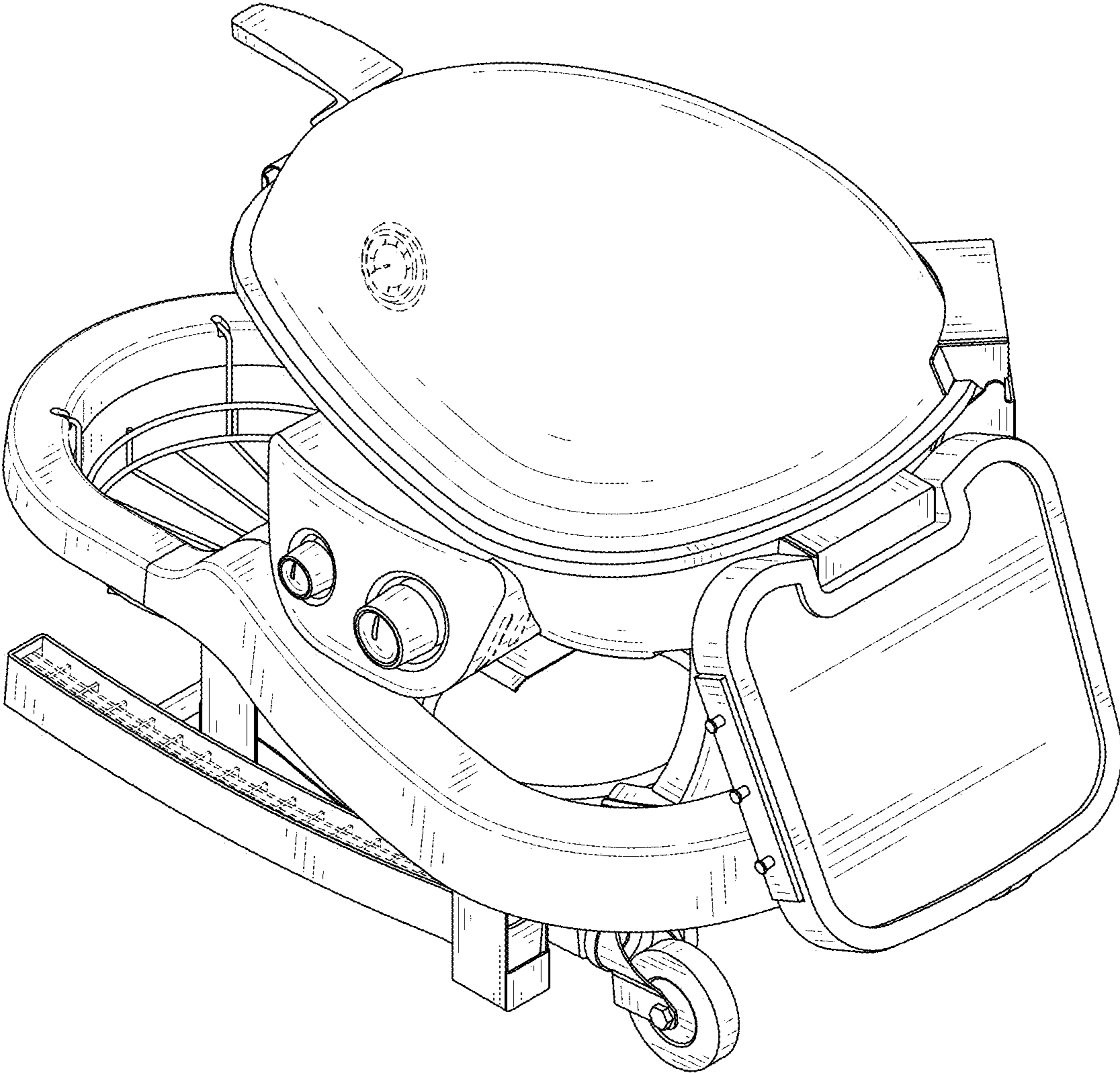


FIG. 8

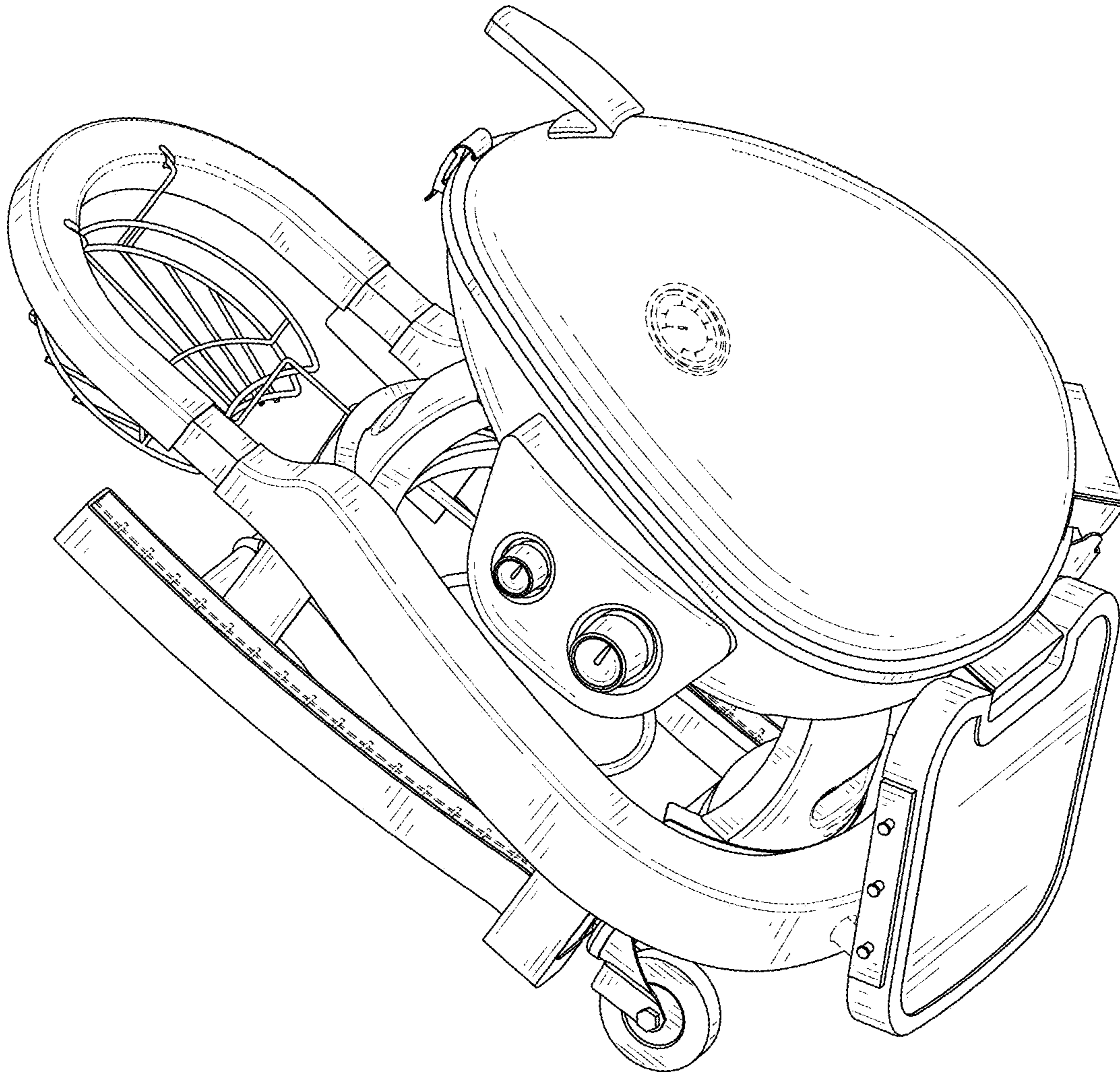


FIG. 9

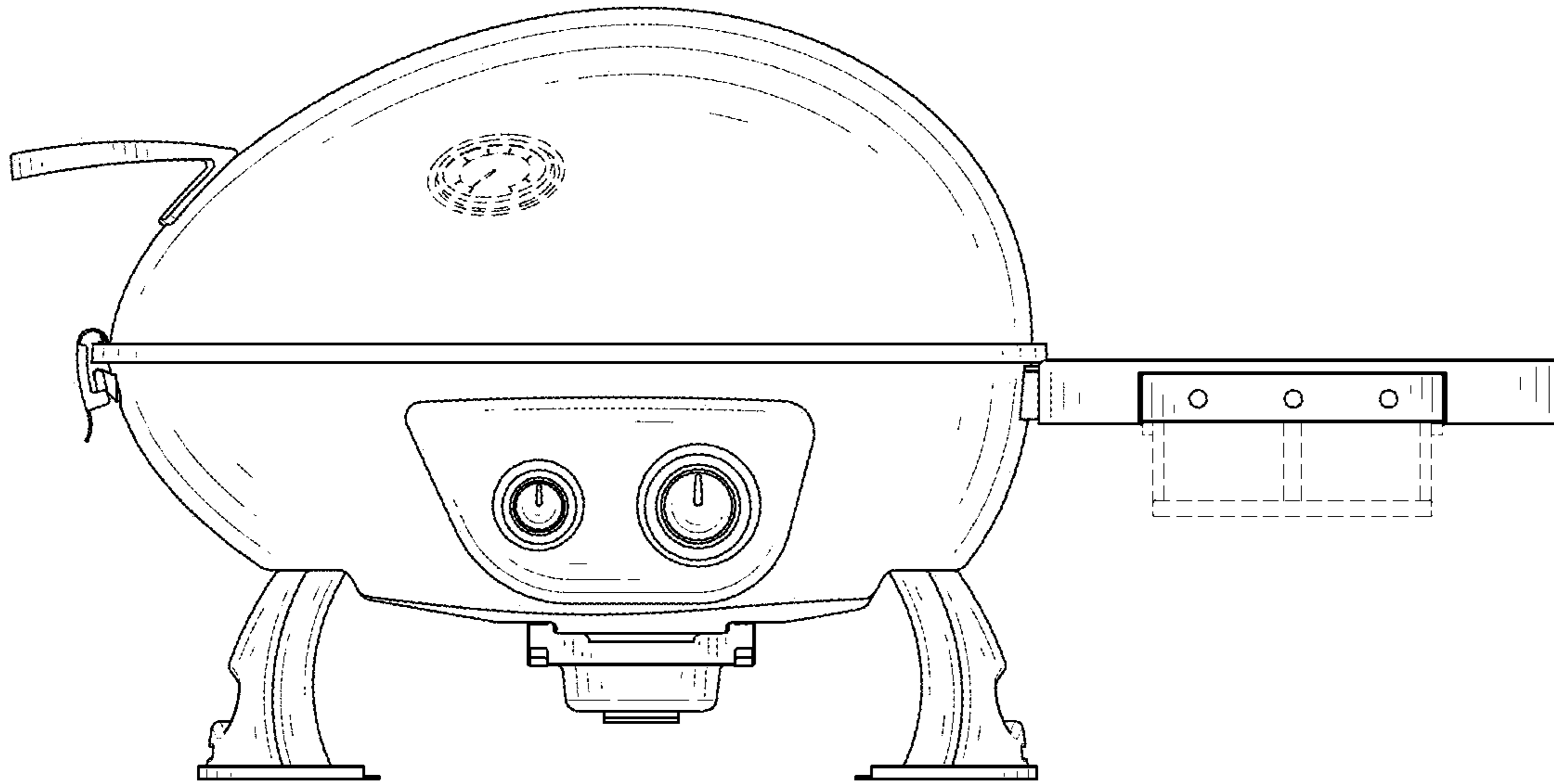


FIG. 10

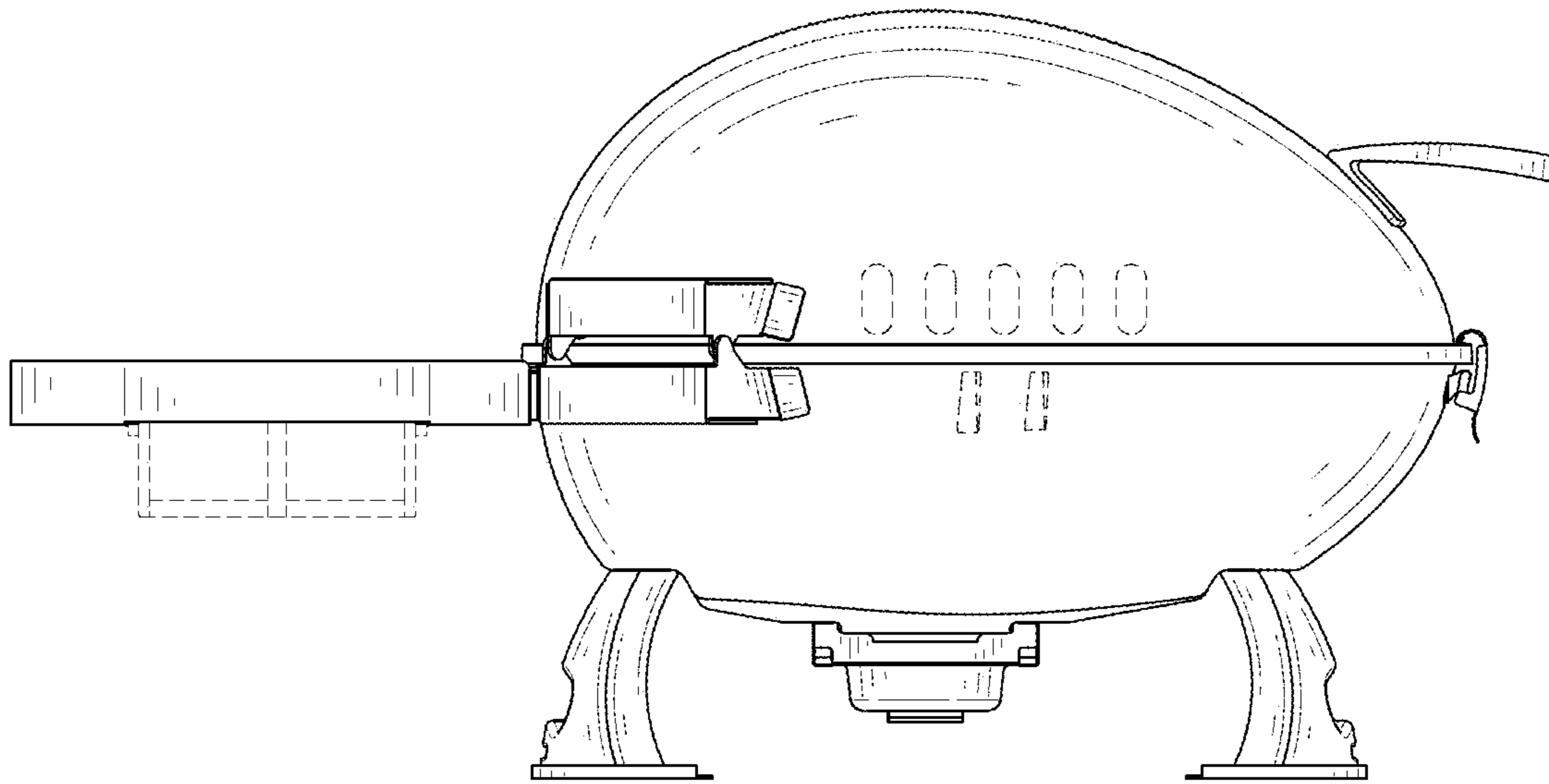


FIG. 11

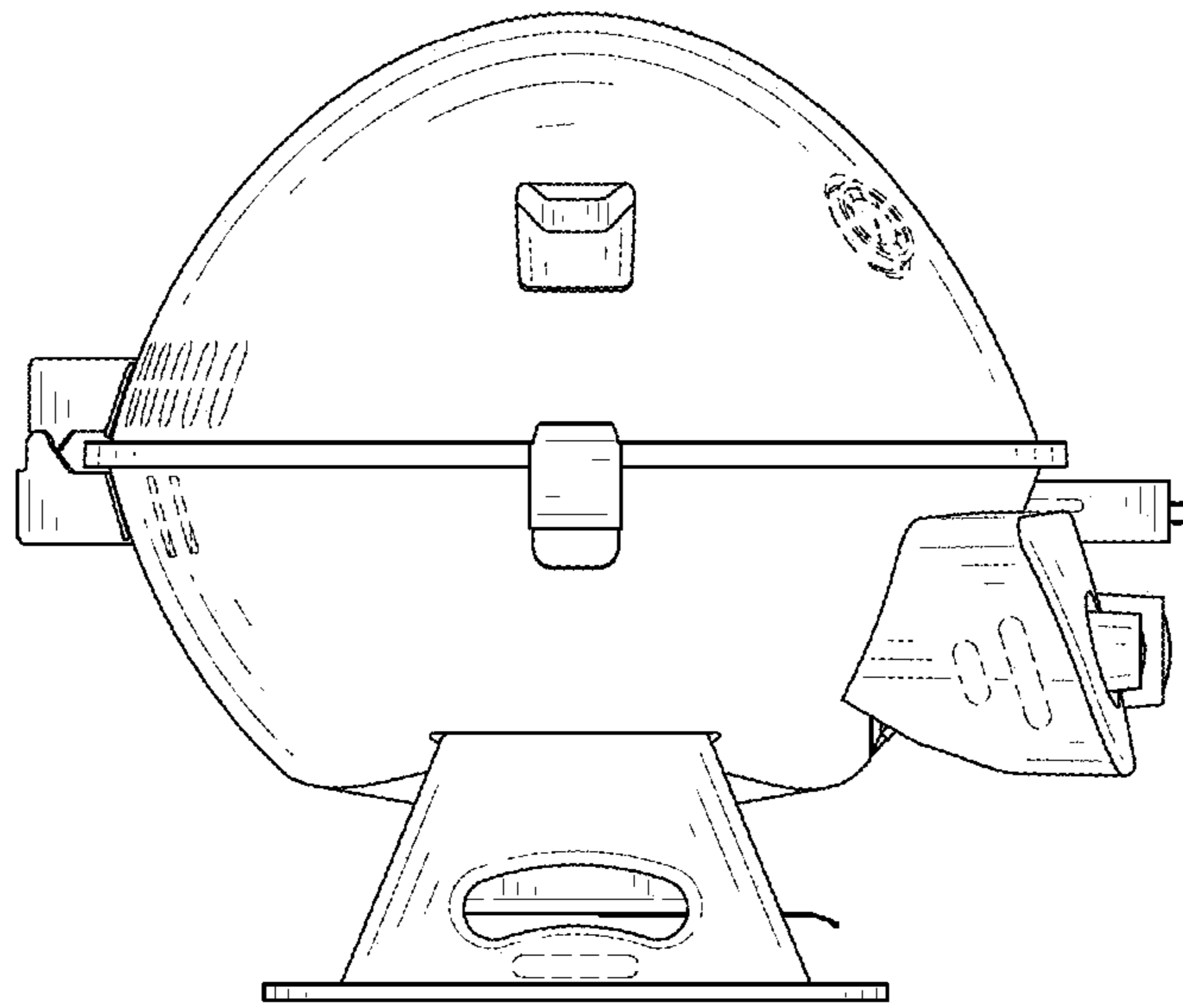


FIG. 12

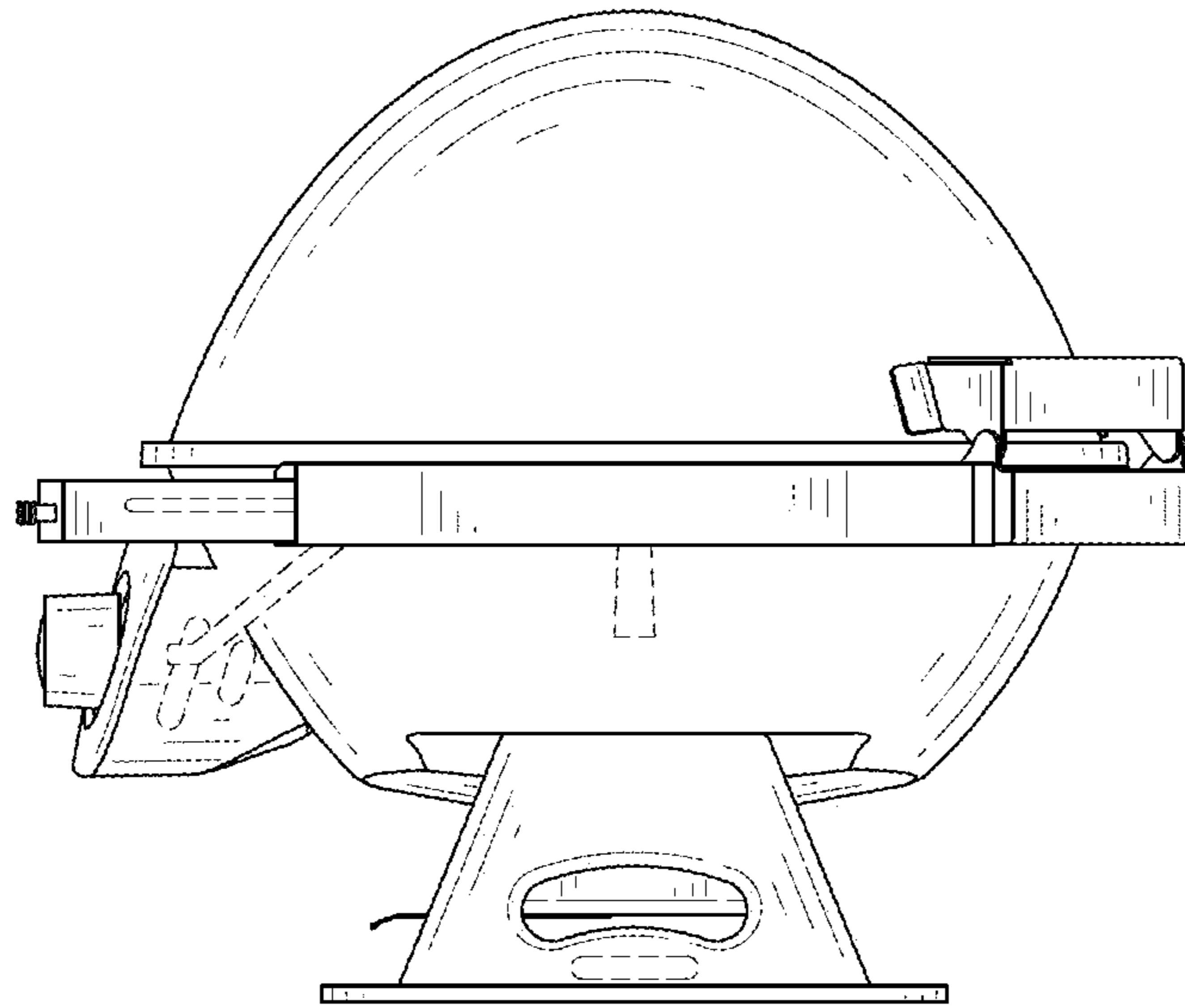


FIG. 13

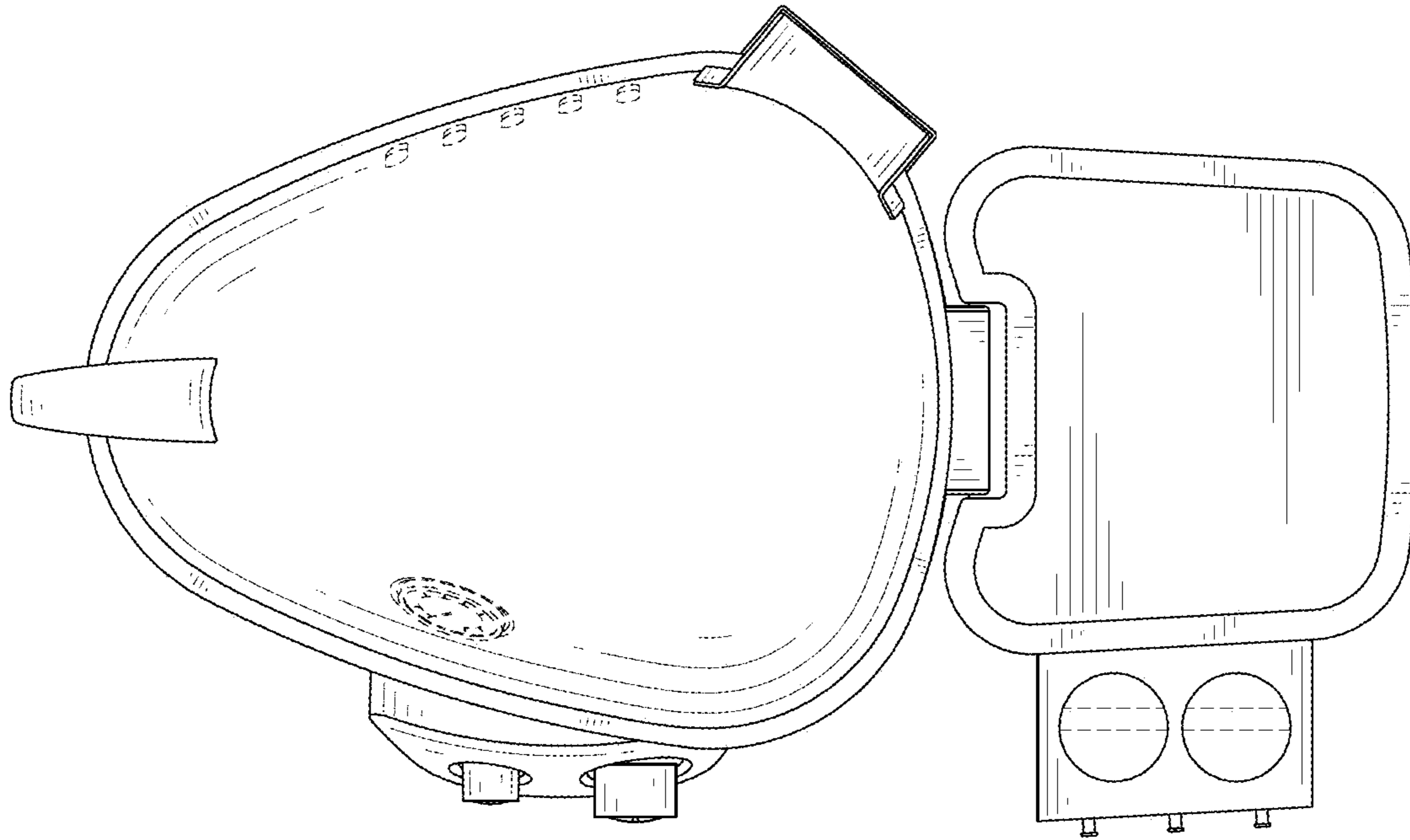


FIG. 14

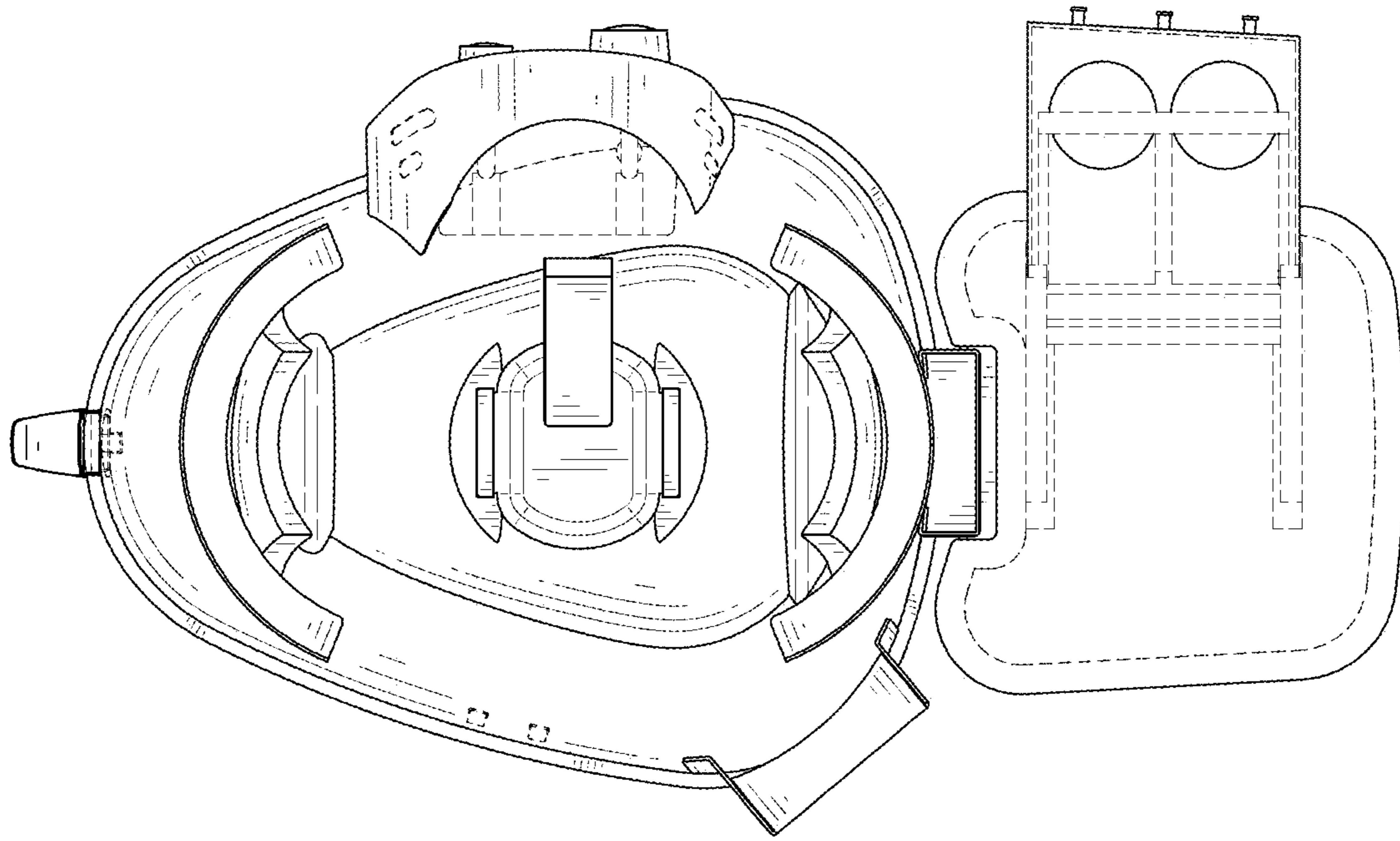


FIG. 15

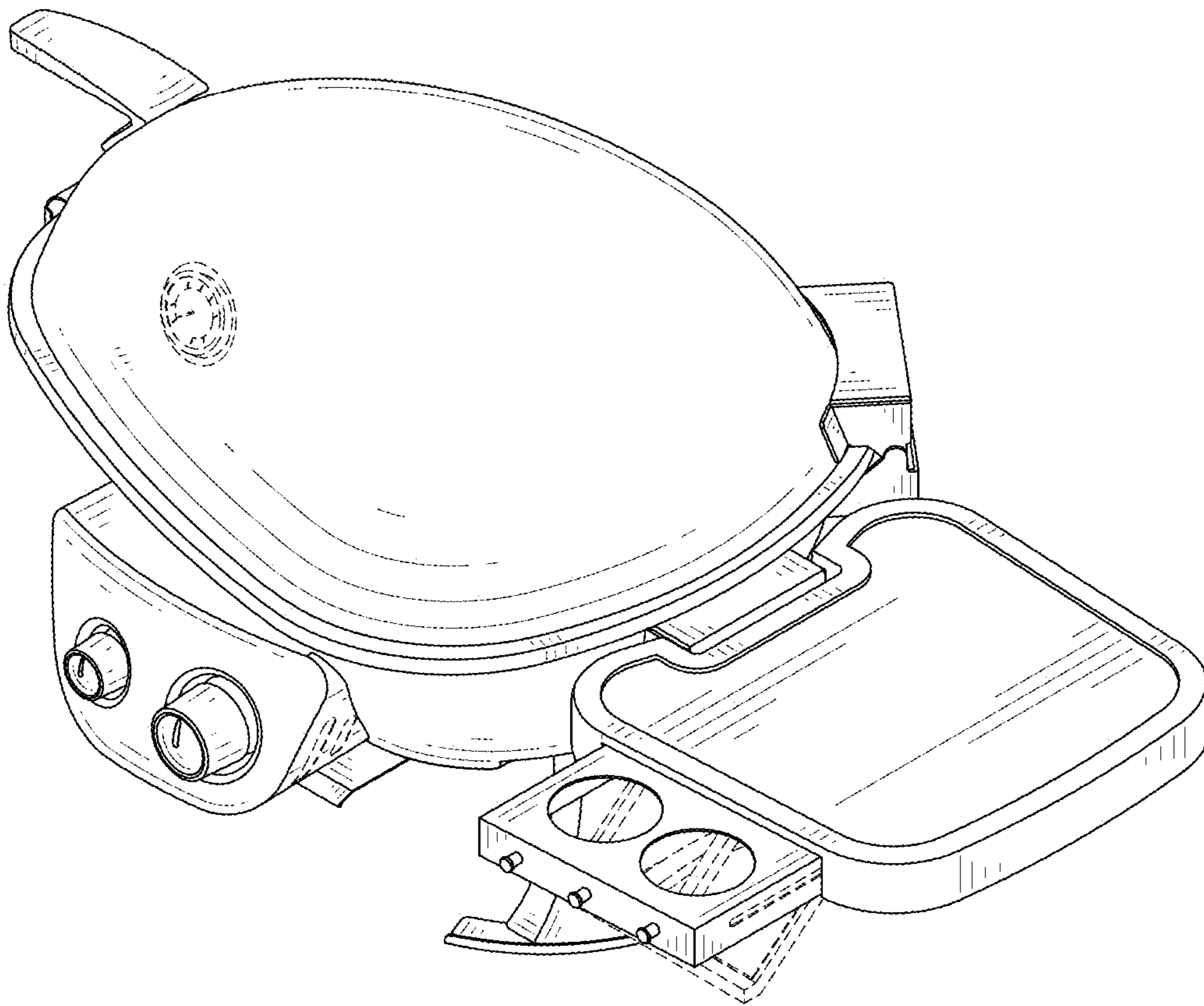


FIG. 16

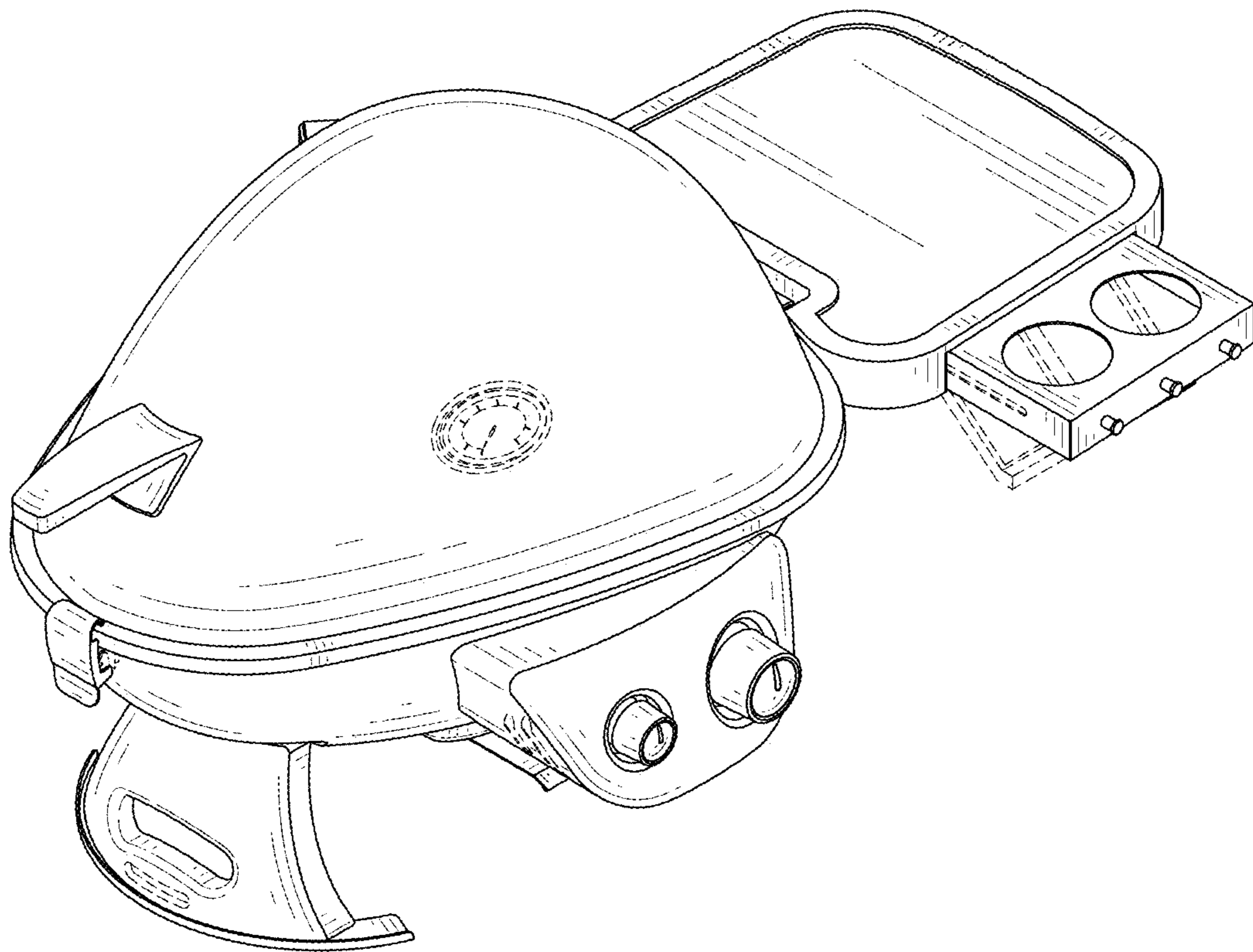


FIG. 17