



US00D883008S

(12) **United States Design Patent**  
**Lien**

(10) **Patent No.:** **US D883,008 S**

(45) **Date of Patent:** **\*\* May 5, 2020**

(54) **BARBEQUE ASSEMBLY**

(71) Applicant: **MOR DESIGNS LTD.**, Taipei (TW)

(72) Inventor: **Hung Mei Lien**, Taipei (TW)

(73) Assignee: **MOR DESIGNS LTD.**, Taipei (TW)

(\*\*) Term: **15 Years**

(21) Appl. No.: **29/654,498**

(22) Filed: **Jun. 25, 2018**

(30) **Foreign Application Priority Data**

Oct. 25, 2017 (CN) ..... 2017 3 0510615

(51) **LOC (12) Cl.** ..... **07-02**

(52) **U.S. Cl.**  
USPC ..... **D7/334**

(58) **Field of Classification Search**  
USPC ..... D7/332-337, 402-409; 126/25 R  
(Continued)

(56) **References Cited**

U.S. PATENT DOCUMENTS

D621,200 S \* 8/2010 Gillespie ..... D7/332

D623,004 S \* 9/2010 Groth ..... D7/334

(Continued)

*Primary Examiner* — Brett Miller

(74) *Attorney, Agent, or Firm* — Nixon & Vanderhye PC

(57) **CLAIM**

The ornamental design for a barbeque assembly, as shown and described.

**DESCRIPTION**

FIG. 1 a front view of a barbeque assembly in an unfolded state;

FIG. 2 is a rear view of the barbeque assembly;  
FIG. 3 is a left side view of the barbeque assembly;  
FIG. 4 is a right side view of the barbeque assembly;  
FIG. 5 is a top view of the barbeque assembly;  
FIG. 6 is a bottom view of the barbeque assembly;  
FIG. 7 is a first perspective view of the barbeque assembly;  
FIG. 8 is a second perspective view of the barbeque assembly;

FIG. 9 is a front view of a barbeque assembly in a collapsed state;

FIG. 10 is a rear view of the barbeque assembly;  
FIG. 11 is a left side view of the barbeque assembly;  
FIG. 12 is a right side view of the barbeque assembly;  
FIG. 13 is a top view of the barbeque assembly;  
FIG. 14 is a bottom view of the barbeque assembly;  
FIG. 15 is a first perspective view of the barbeque assembly;  
FIG. 16 is a second perspective view of the barbeque assembly;

FIG. 17 is a front view of a grill element of the barbeque assembly without supporting portion, shown in isolation;

FIG. 18 is a rear view of the grill element of the barbeque assembly, shown in isolation;

FIG. 19 is a left side view of the grill element of the barbeque assembly, shown in isolation;

FIG. 20 is a right side view of the grill element of the barbeque assembly, shown in isolation;

FIG. 21 is a top view of the grill element of the barbeque assembly, shown in isolation;

FIG. 22 is a bottom view thereof;

FIG. 23 is a first perspective view thereof;

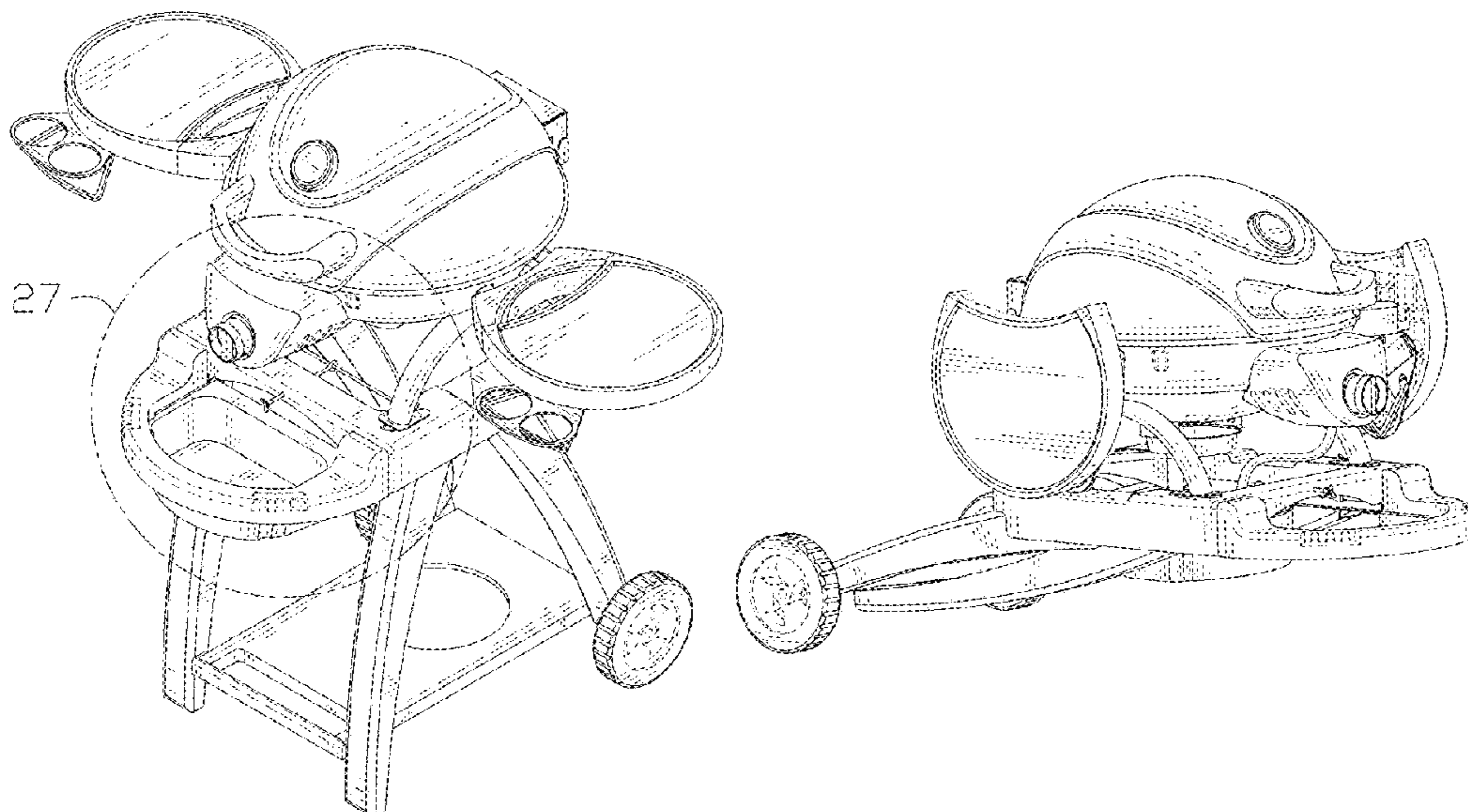
FIG. 24 is a second perspective view thereof;

FIG. 25 is an enlarged view taken along circle 25 of FIG. 1;

FIG. 26 is an enlarged view taken along circle 26 of FIG. 1; and,

FIG. 27 is an enlarged view taken along circle 27 of FIG. 7. The broken lines depict portions of the barbeque that form no part of the claimed design. The broken ones immediately adjacent the shaded areas represent the bounds of the claimed design.

**1 Claim, 27 Drawing Sheets**



(58) **Field of Classification Search**

CPC ..... A47J 37/07-0786; A47J 33/00; A47J  
2037/0777; A47J 2037/0795; A23B  
4/044-056

See application file for complete search history.

(56) **References Cited**

U.S. PATENT DOCUMENTS

D653,897	S *	2/2012	Chung	.....	D7/332
D680,365	S *	4/2013	Chung	.....	D7/334
D687,667	S *	8/2013	Chien	.....	D7/334
D717,097	S *	11/2014	Lin	.....	D7/334
D753,430	S *	4/2016	Wagner	.....	D7/334
D786,004	S *	5/2017	Yang	.....	D7/334
D790,903	S *	7/2017	Yang	.....	D7/337
10,034,578	B2 *	7/2018	Ahmed	.....	A47J 37/0709
D845,056	S *	4/2019	Lien	.....	D7/334
2005/0252504	A1 *	11/2005	Cabrera	.....	A47J 37/0704 126/50
2013/0074822	A1 *	3/2013	Chien	.....	A47J 37/0763 126/25 R

\* cited by examiner

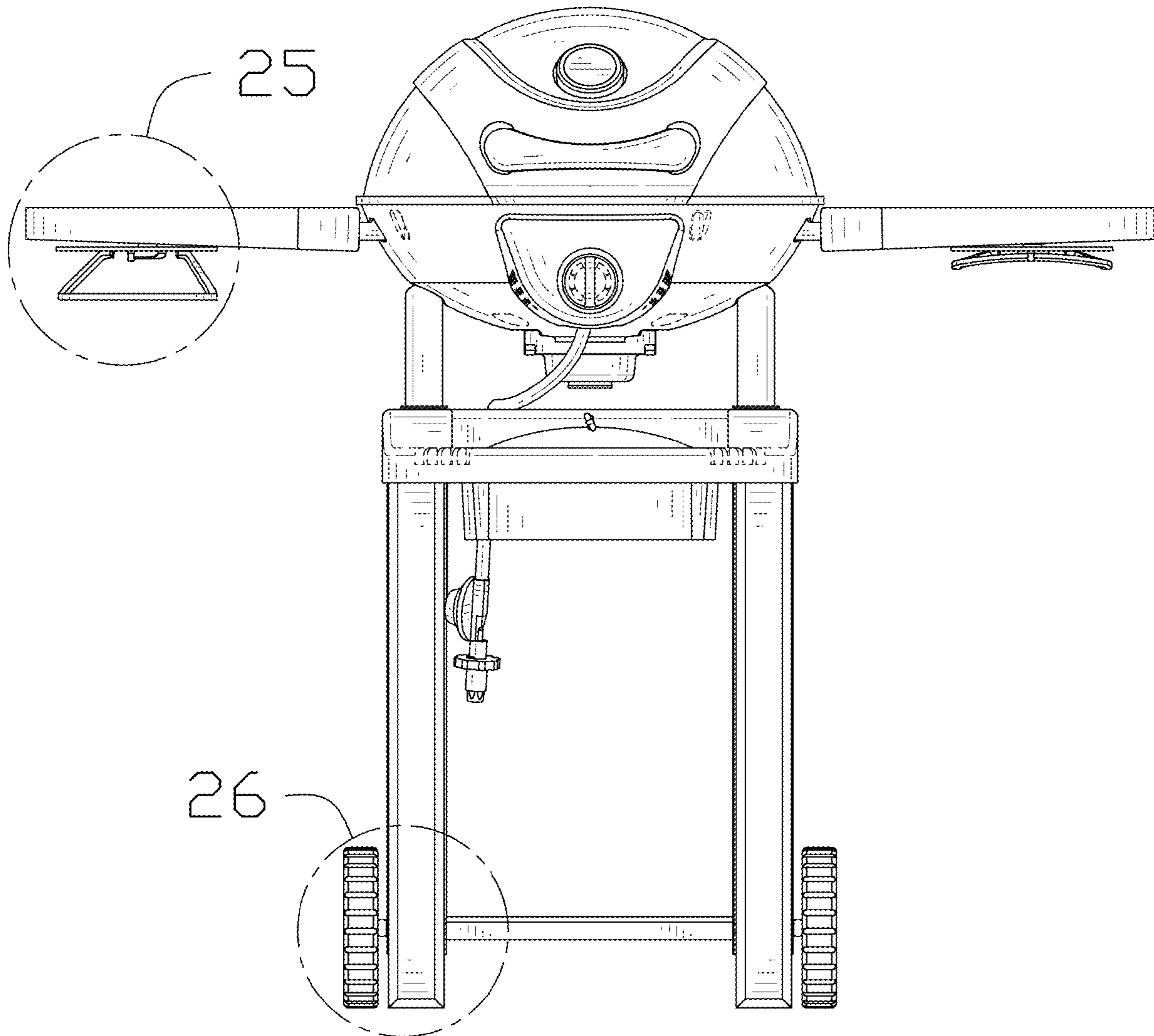


FIG. 1

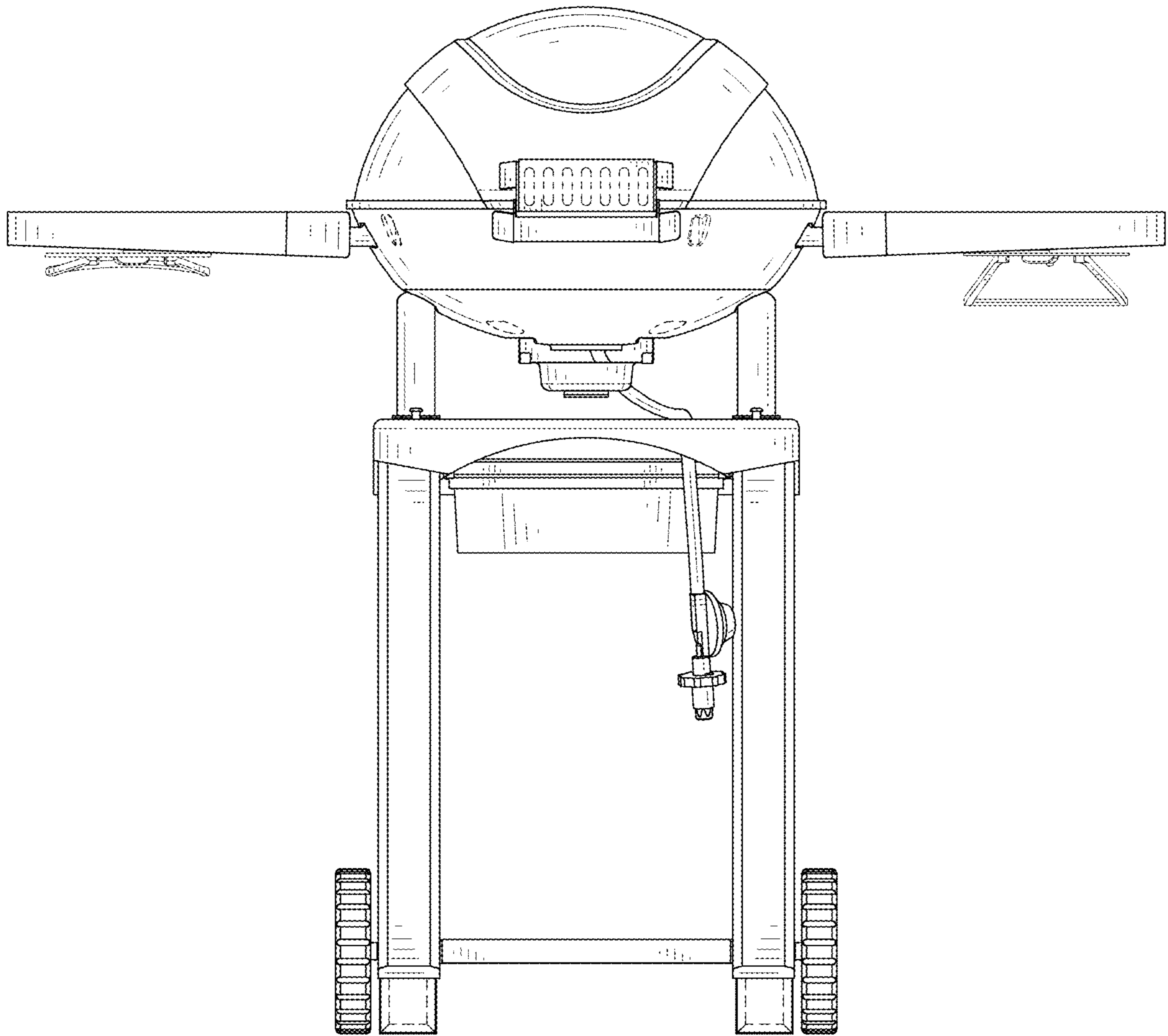


FIG. 2

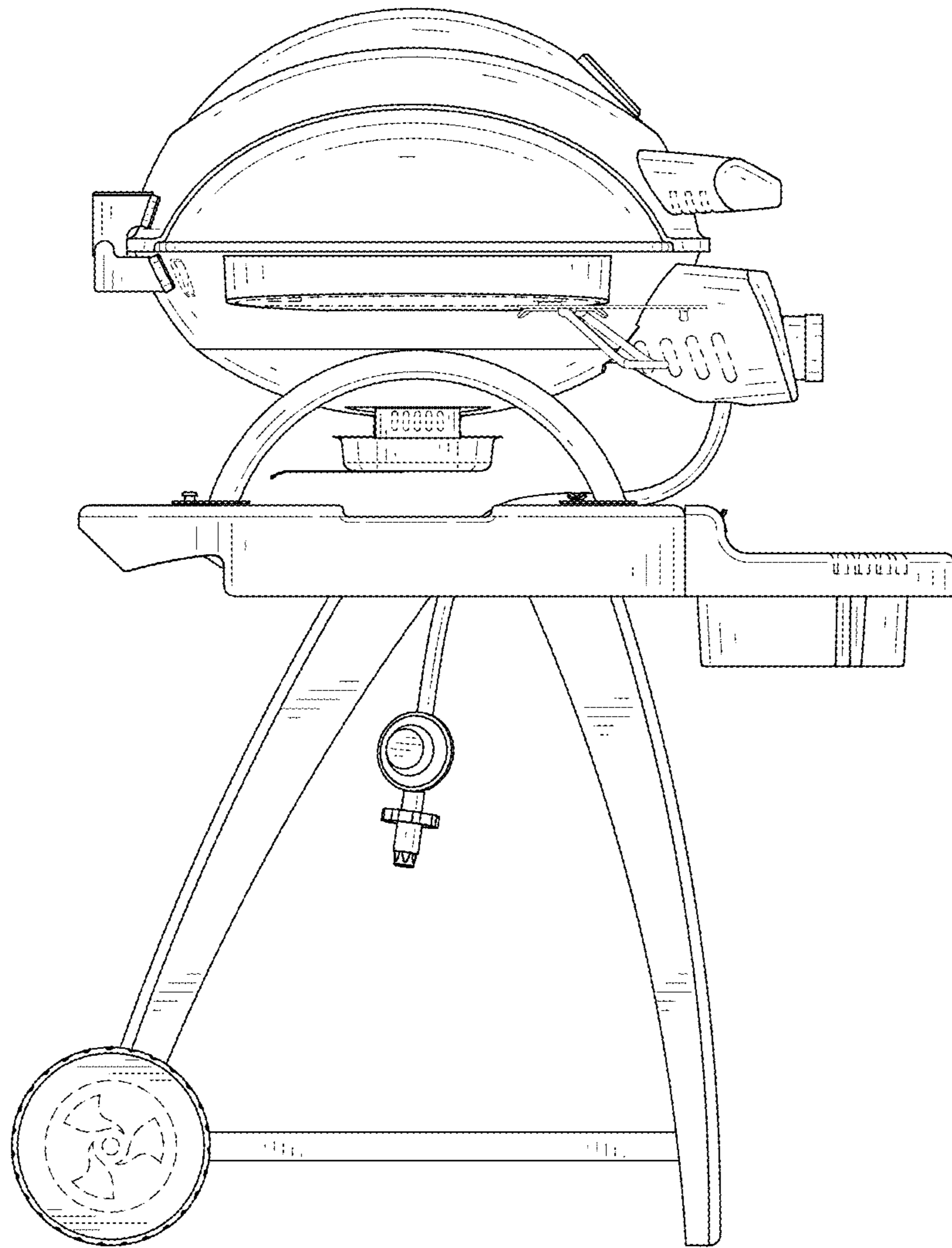


FIG. 3

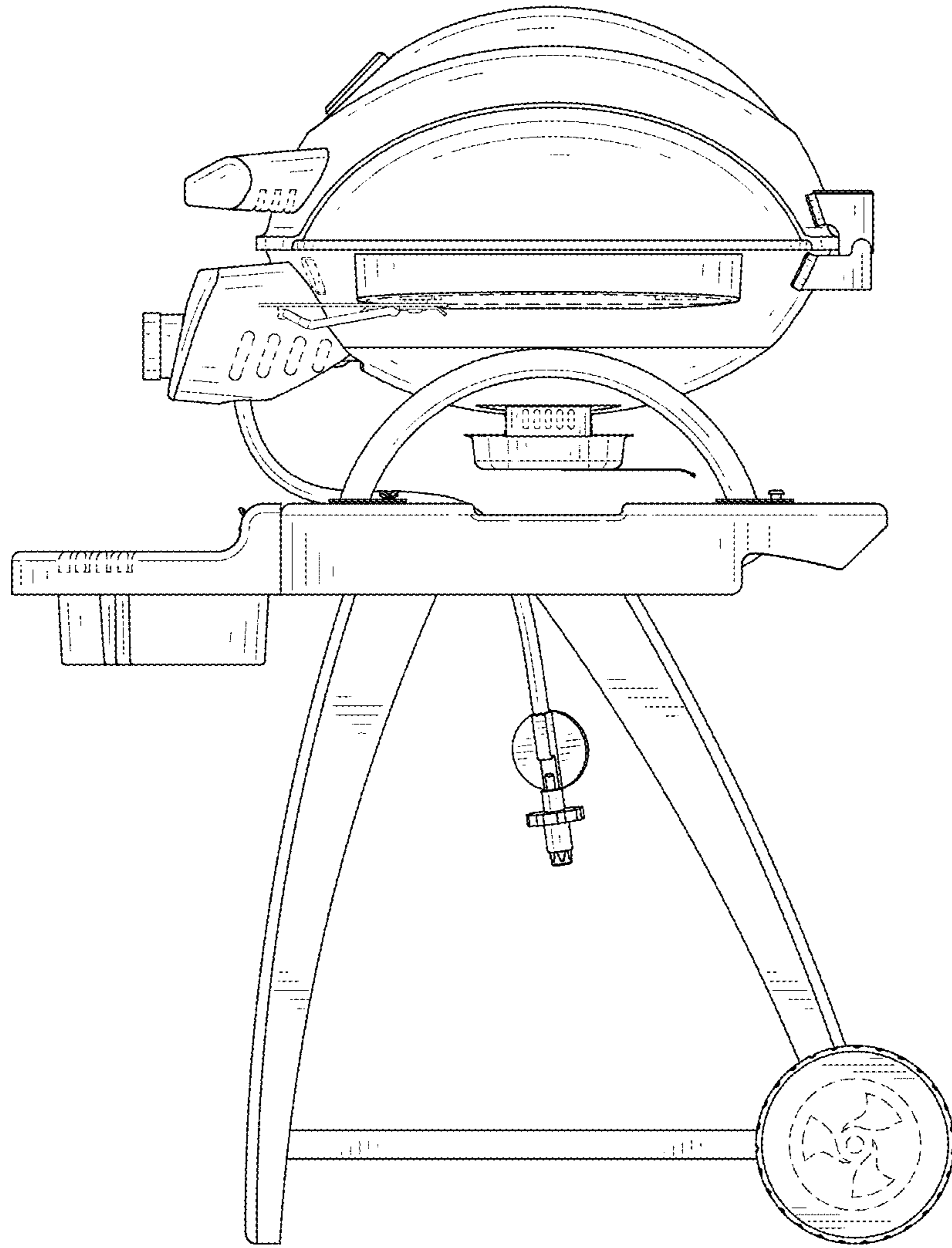


FIG. 4

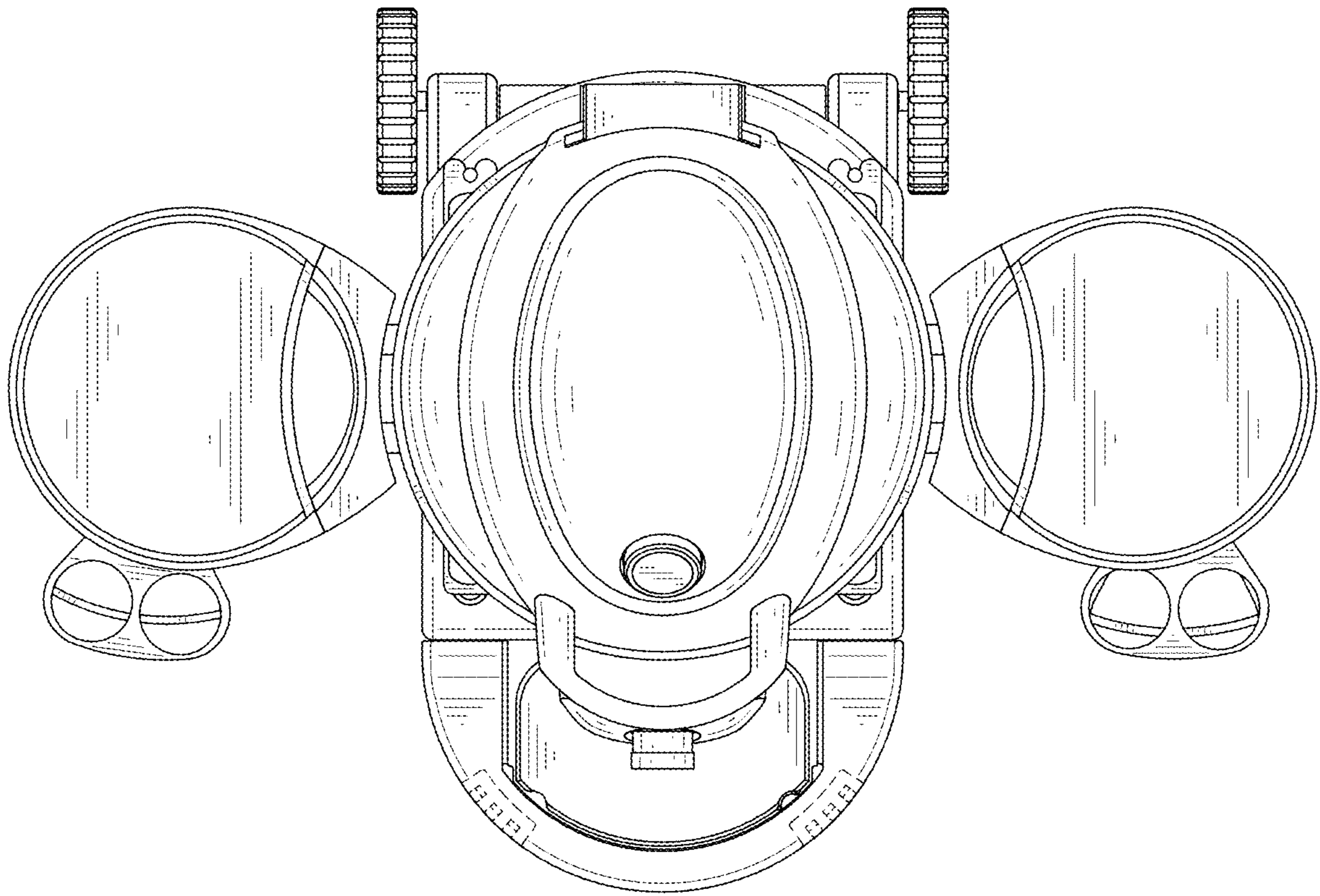


FIG. 5

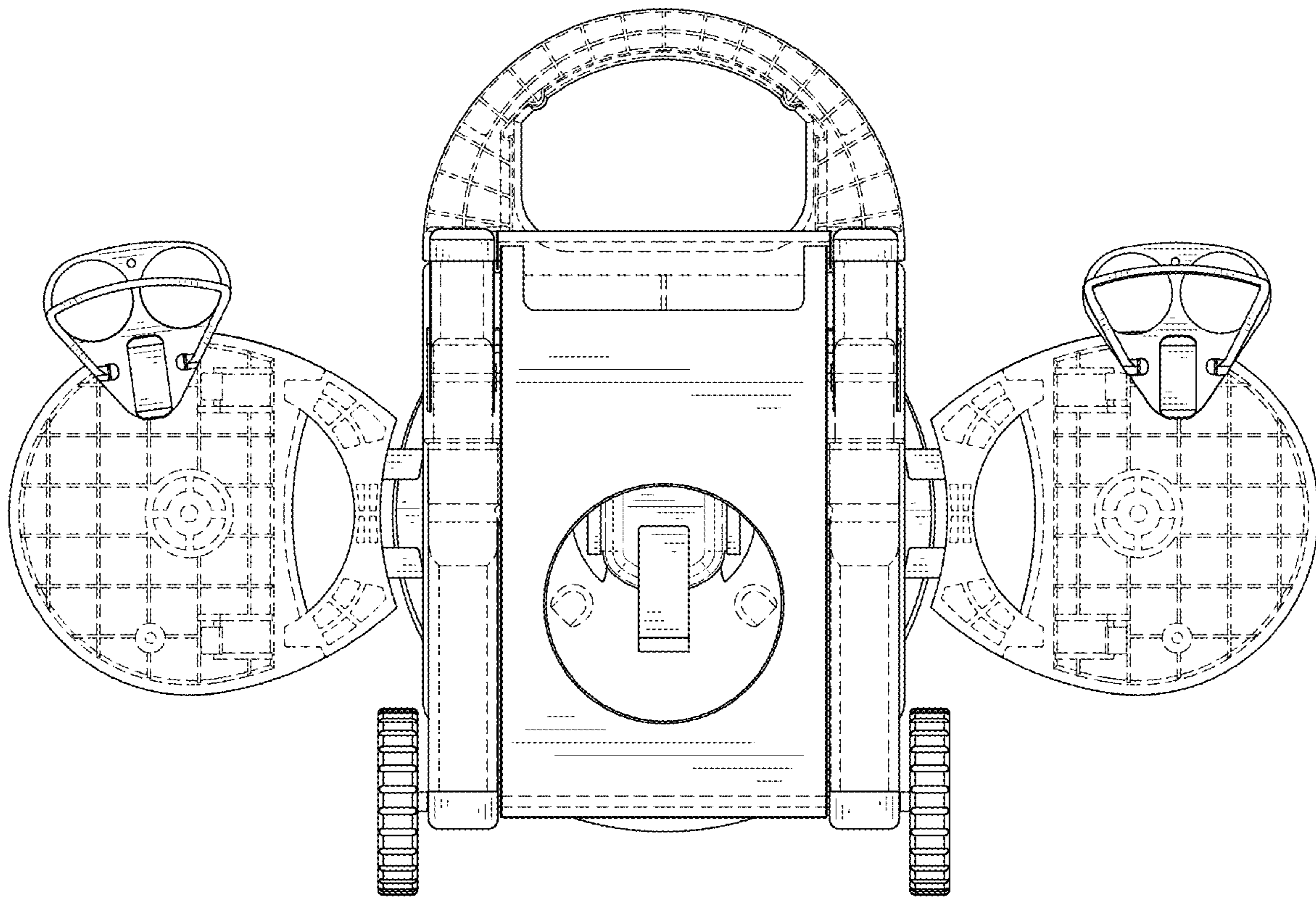


FIG. 6



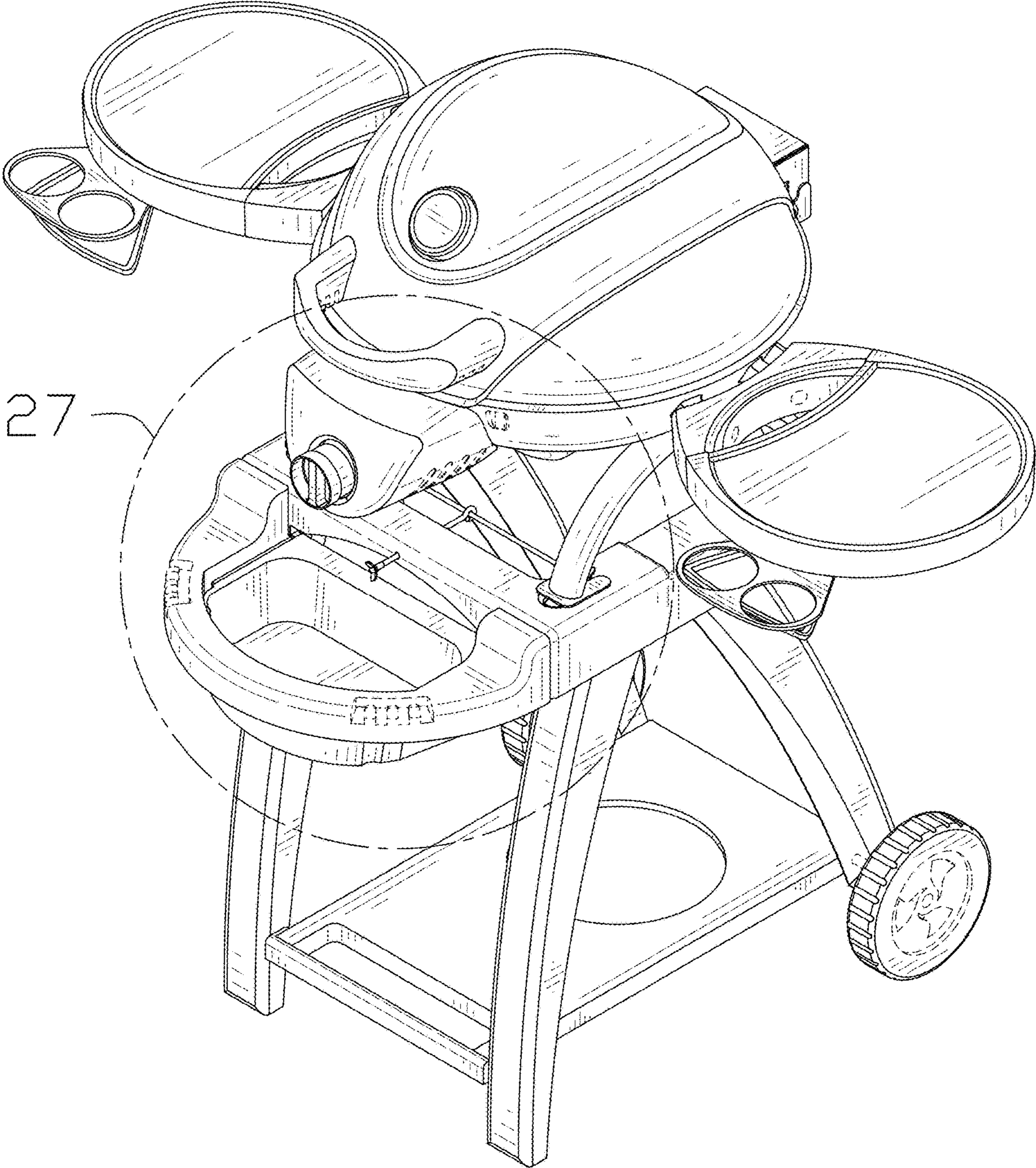


FIG. 7



FIG. 8

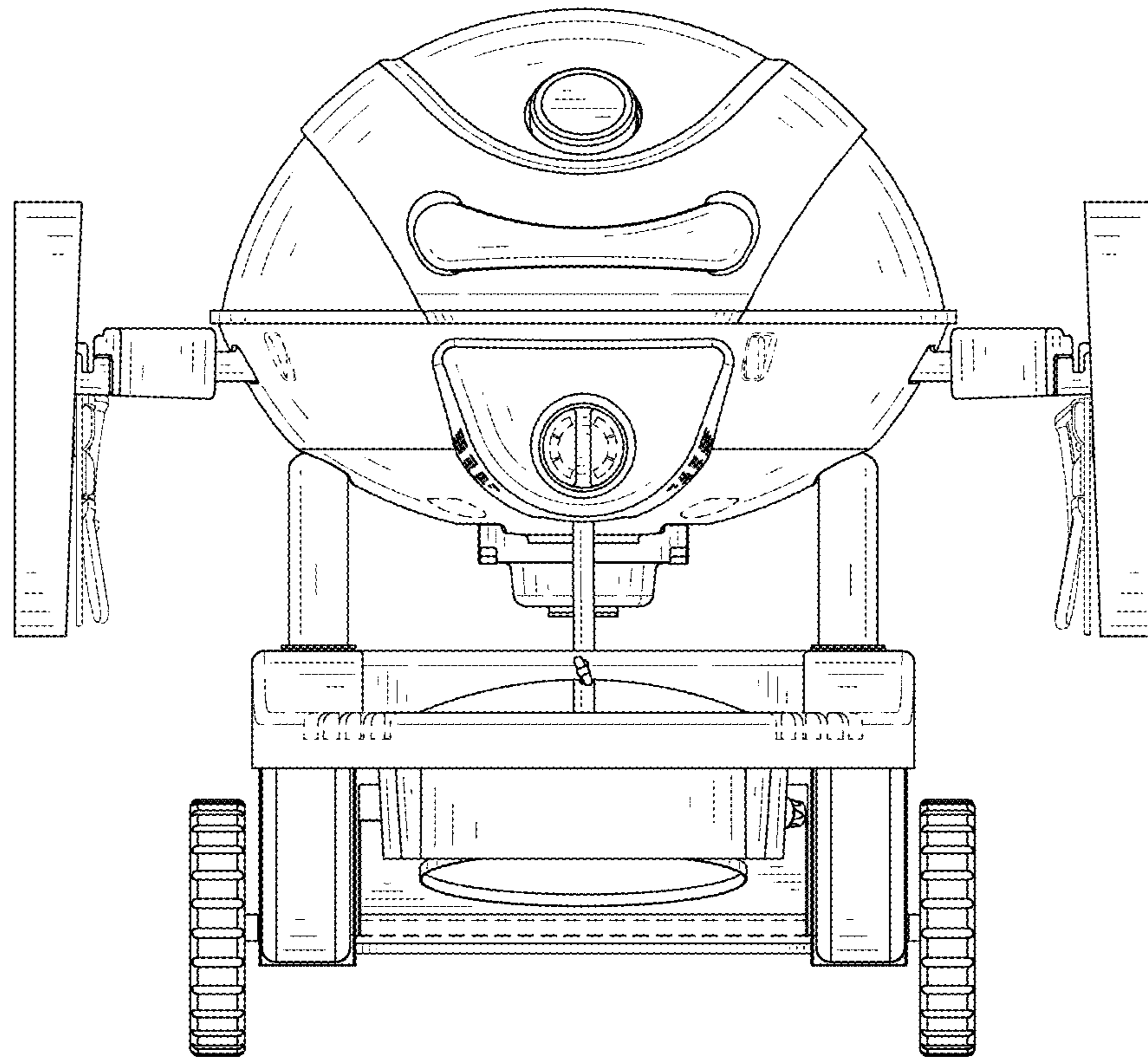


FIG. 9

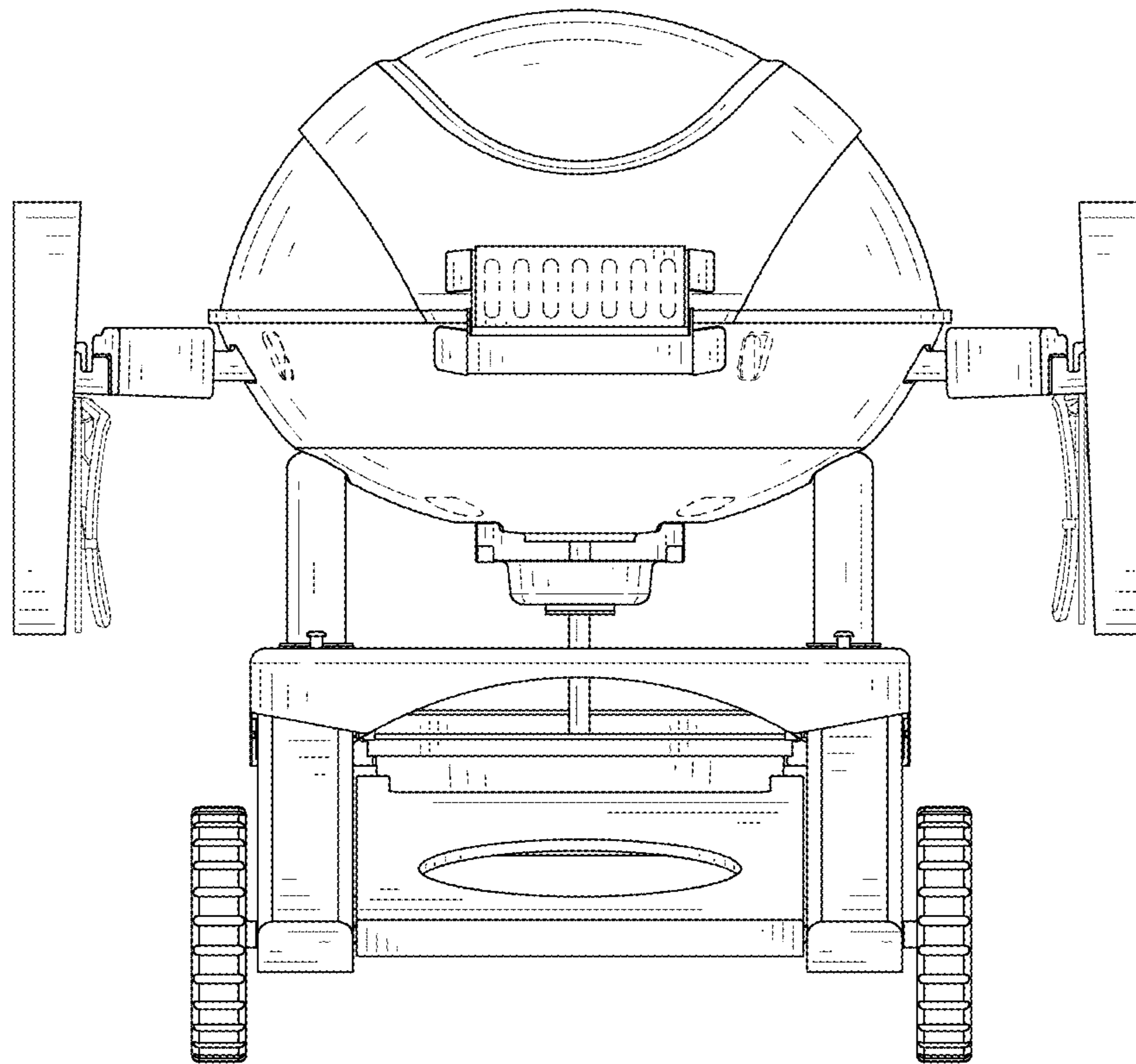


FIG. 10

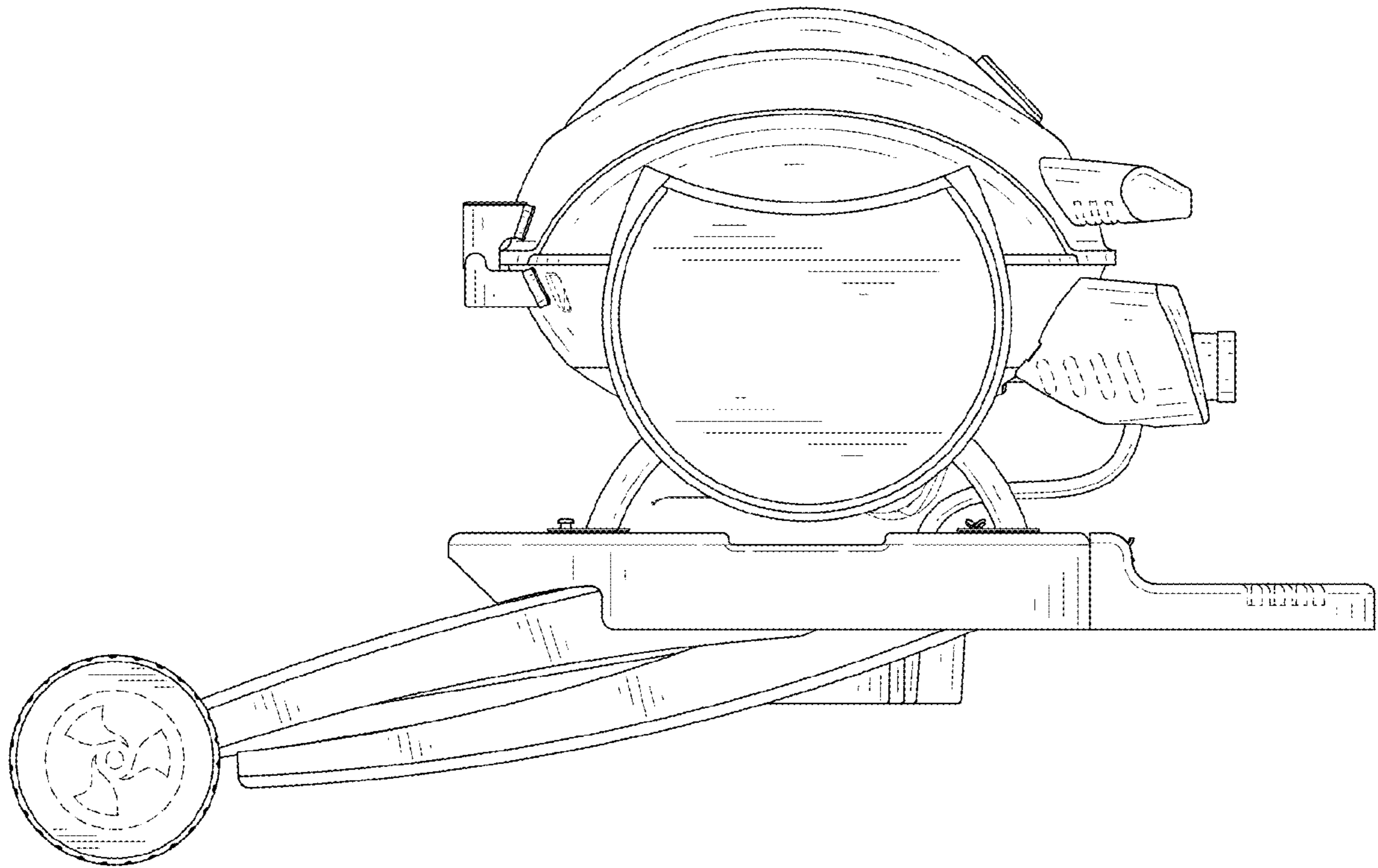


FIG. 11

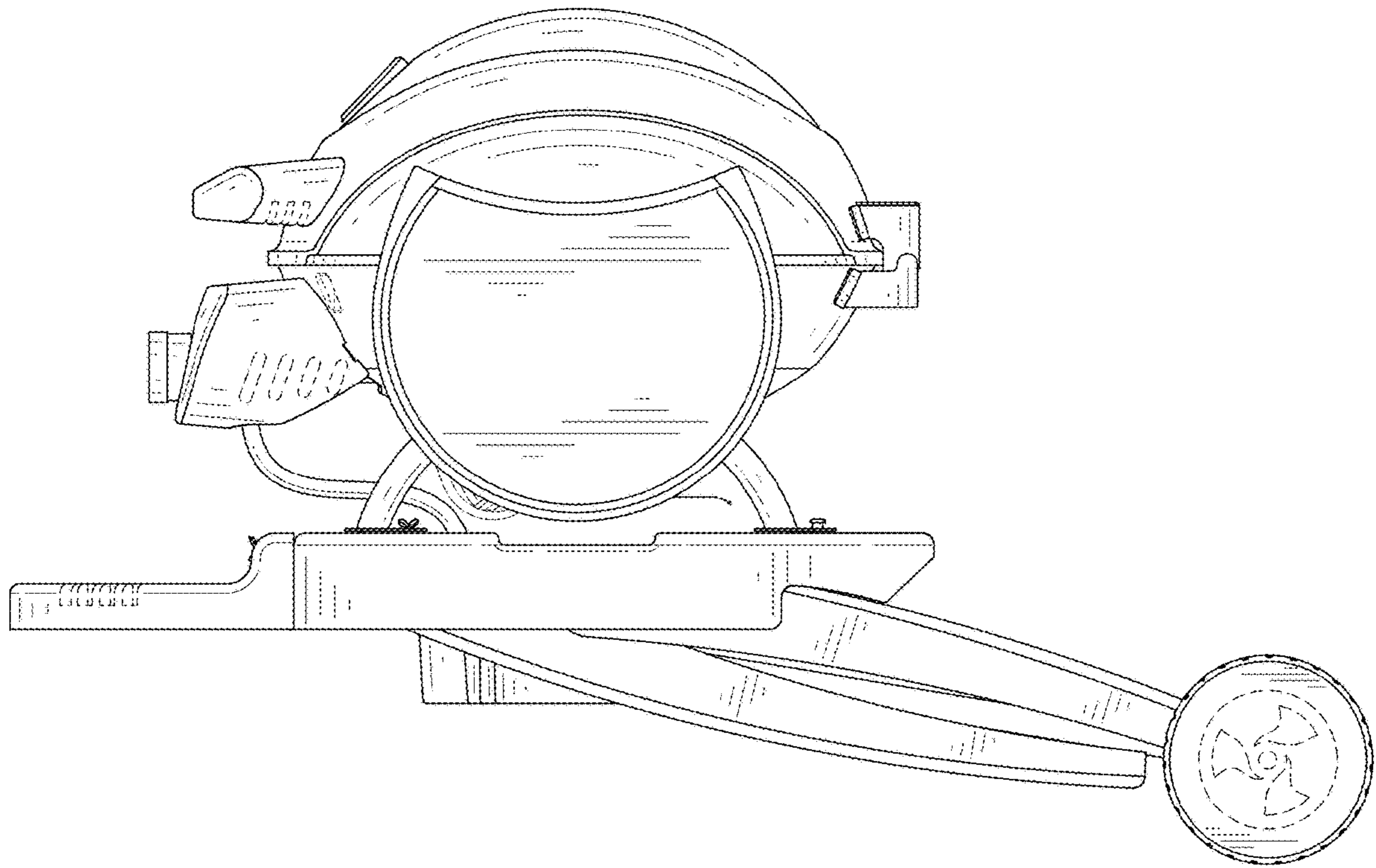


FIG. 12

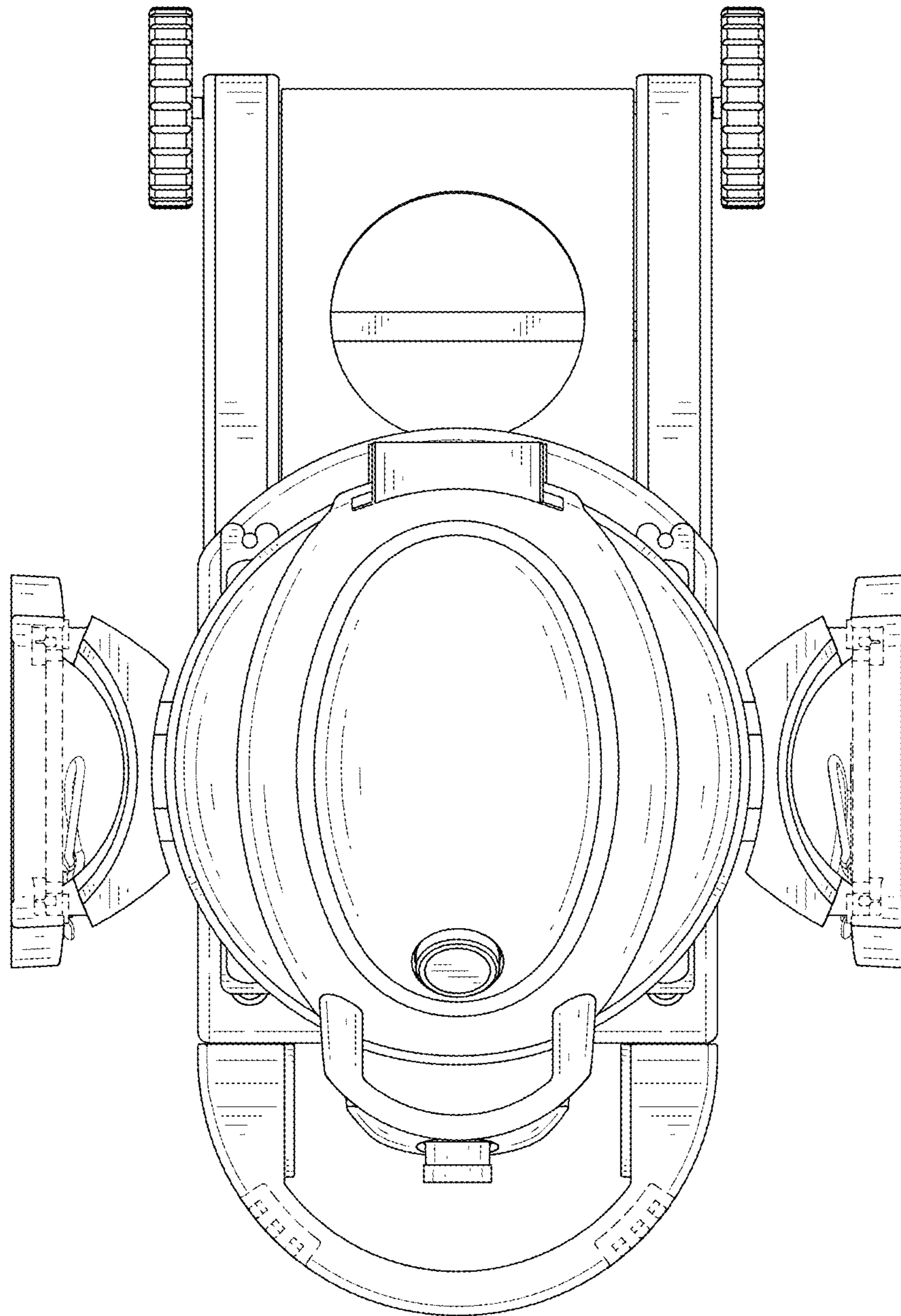


FIG. 13

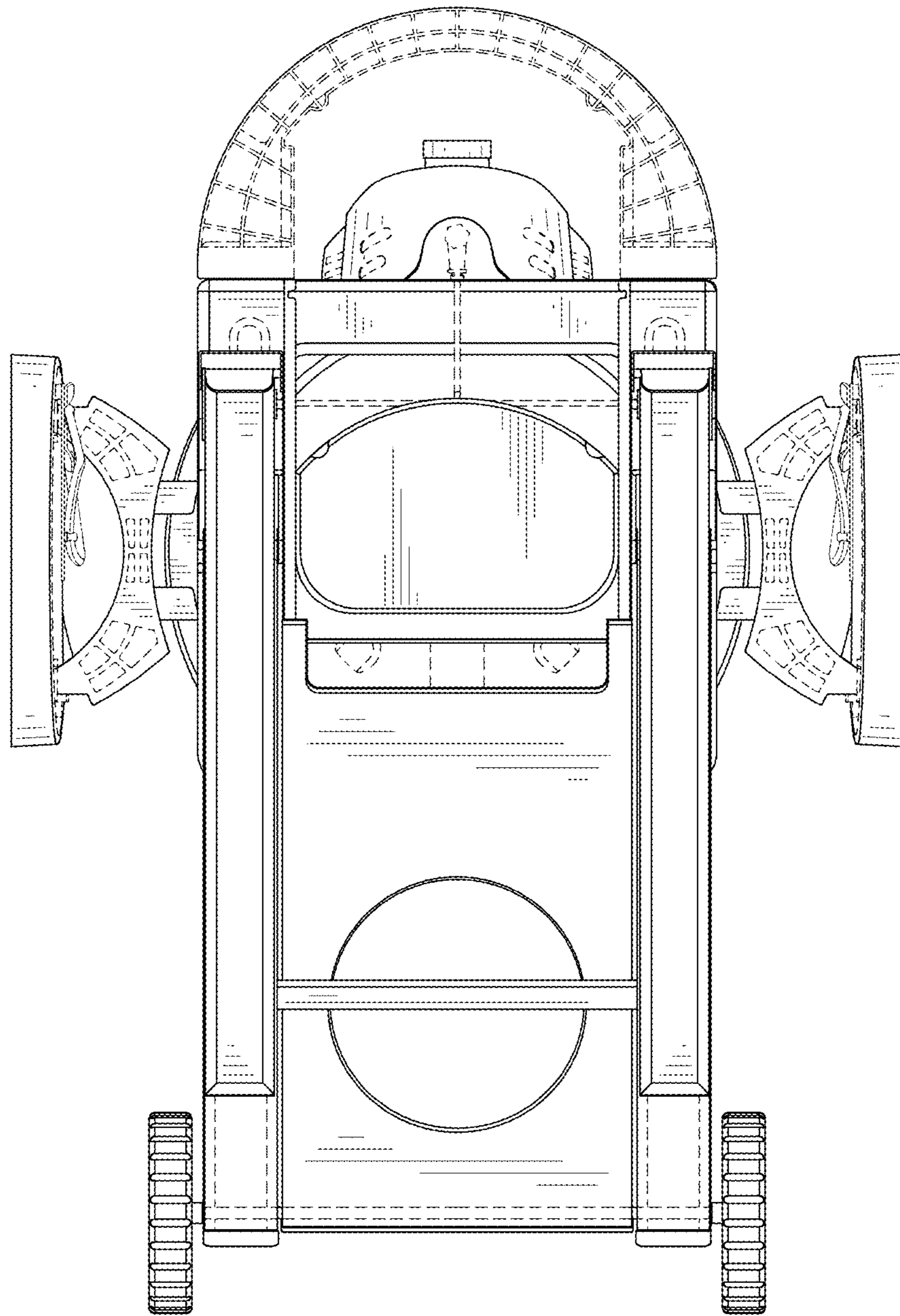


FIG. 14



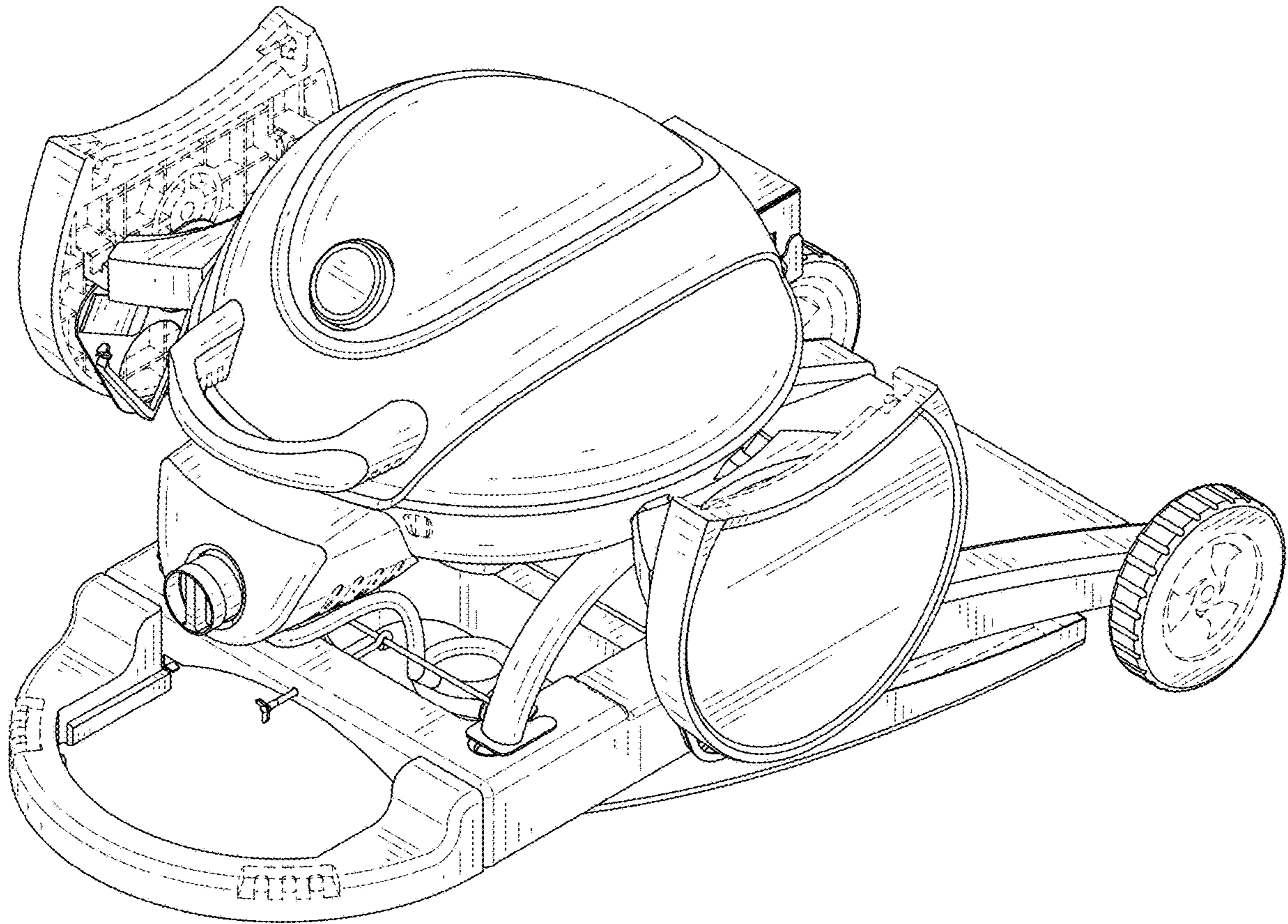


FIG. 15

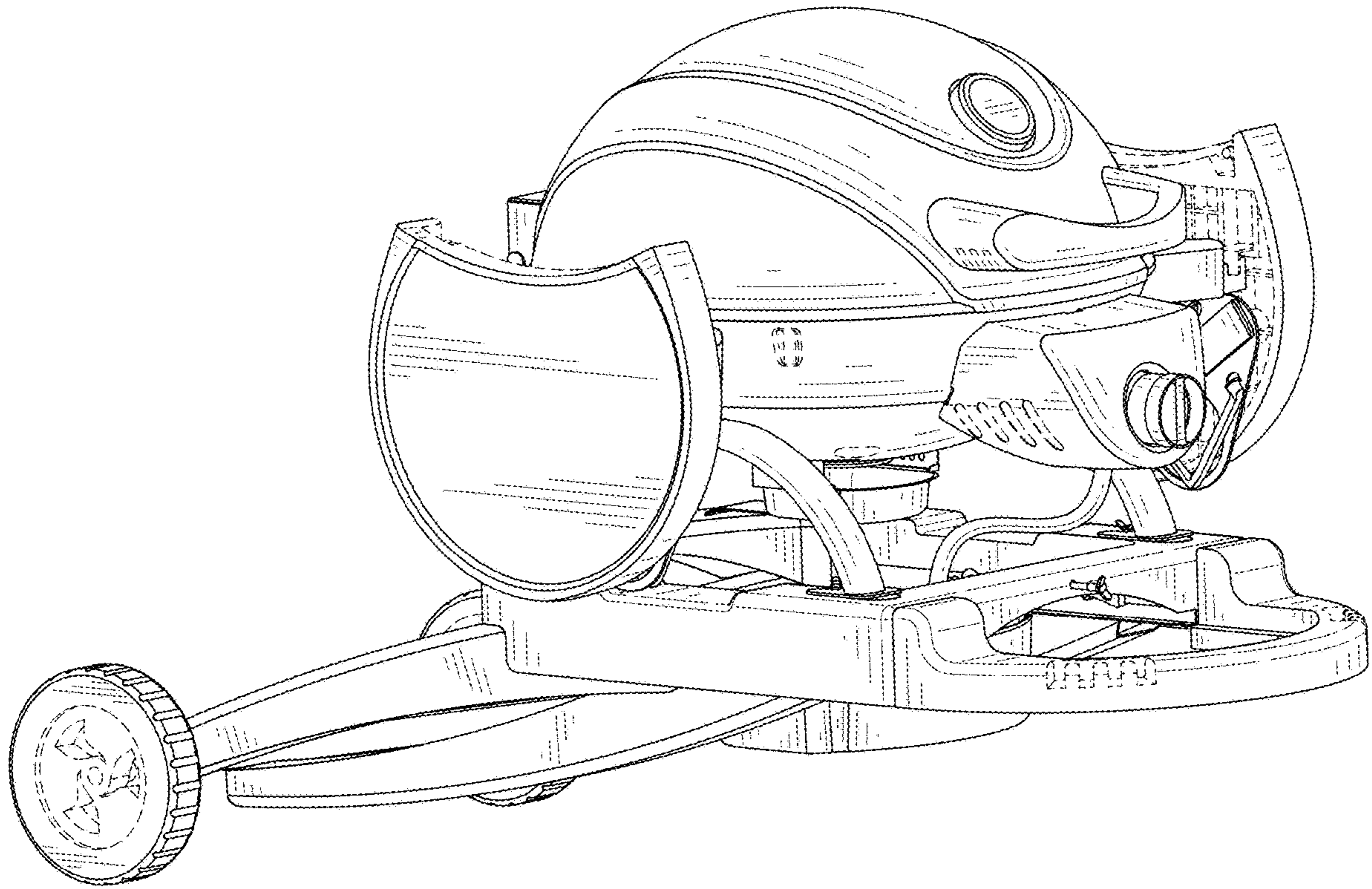


FIG. 16

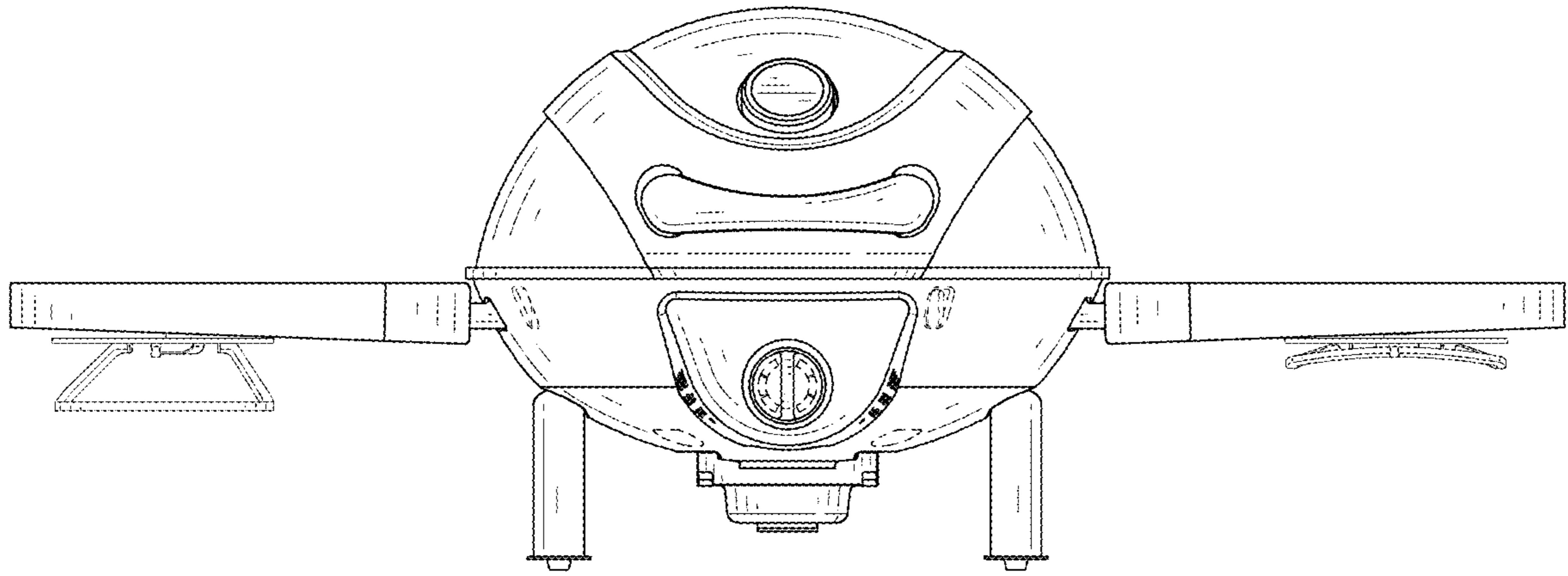


FIG. 17

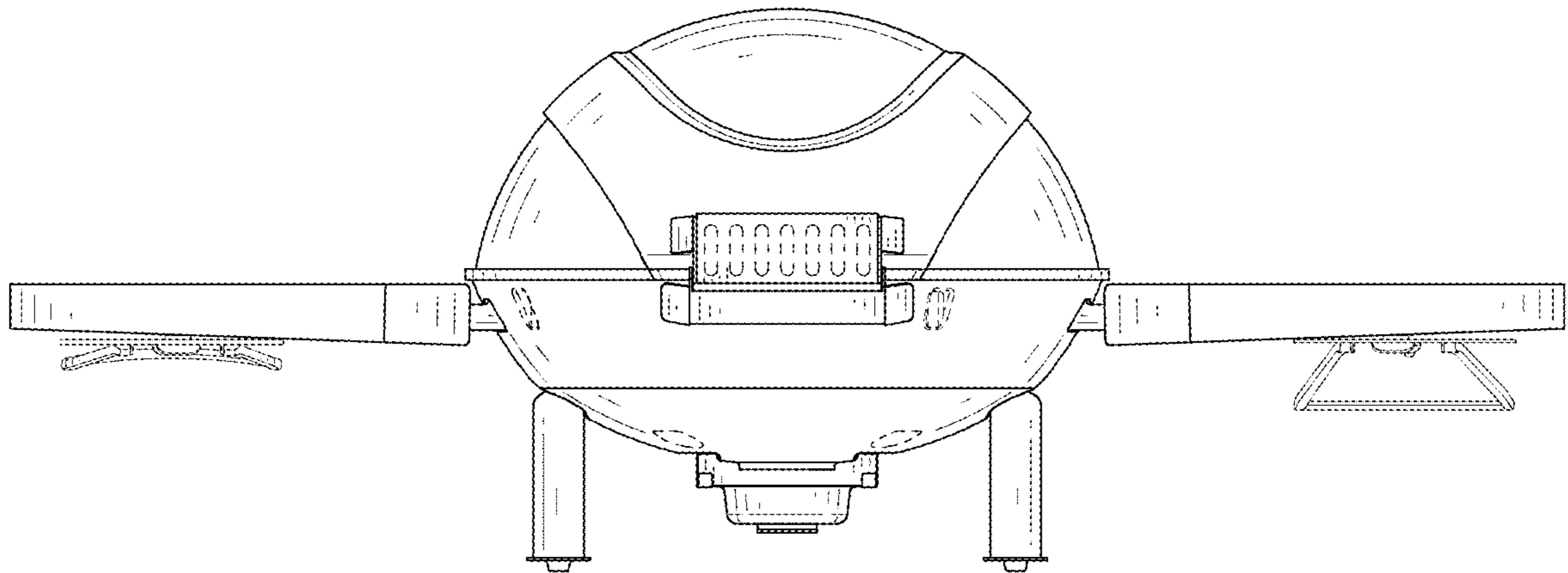


FIG. 18

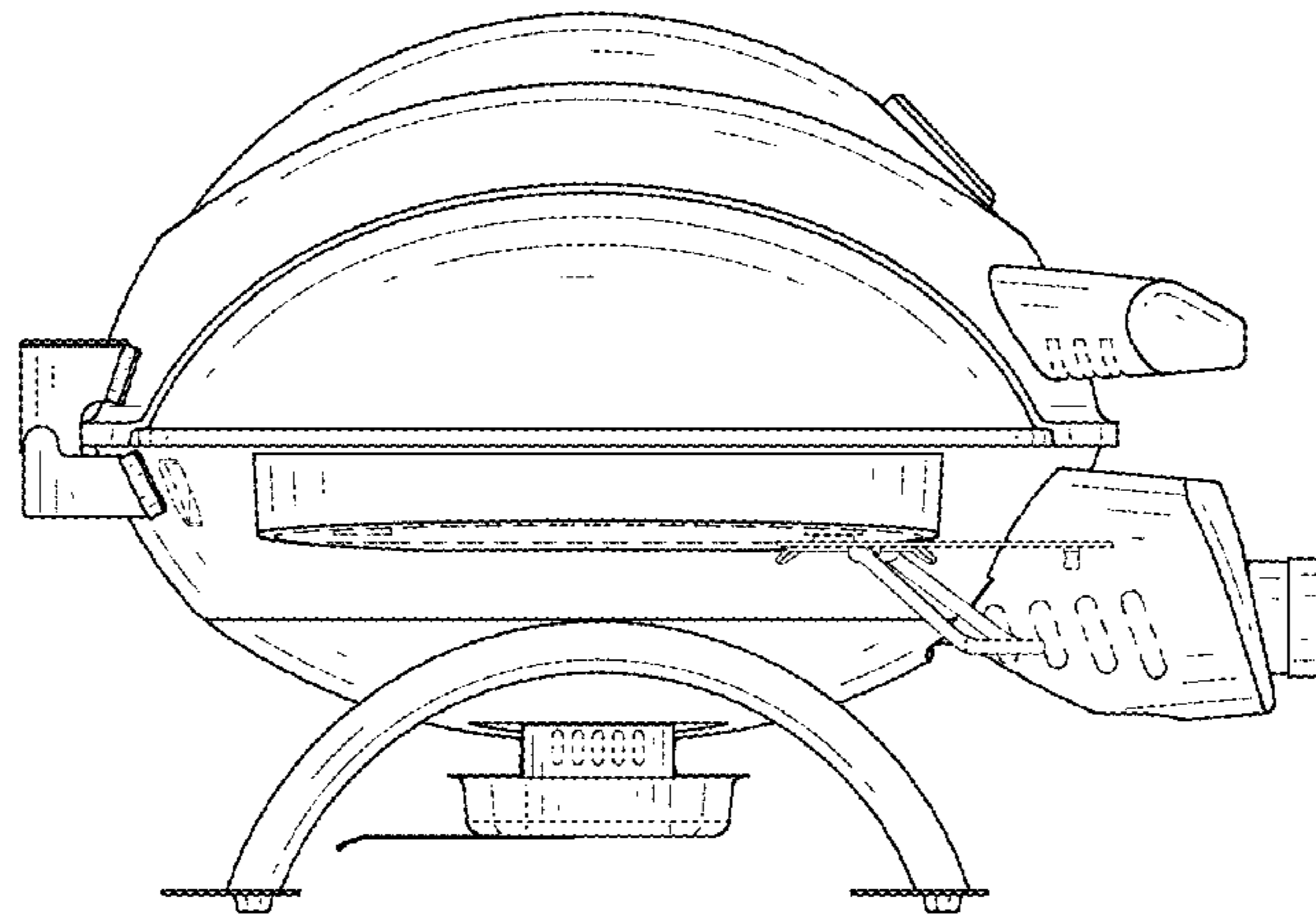


FIG. 19

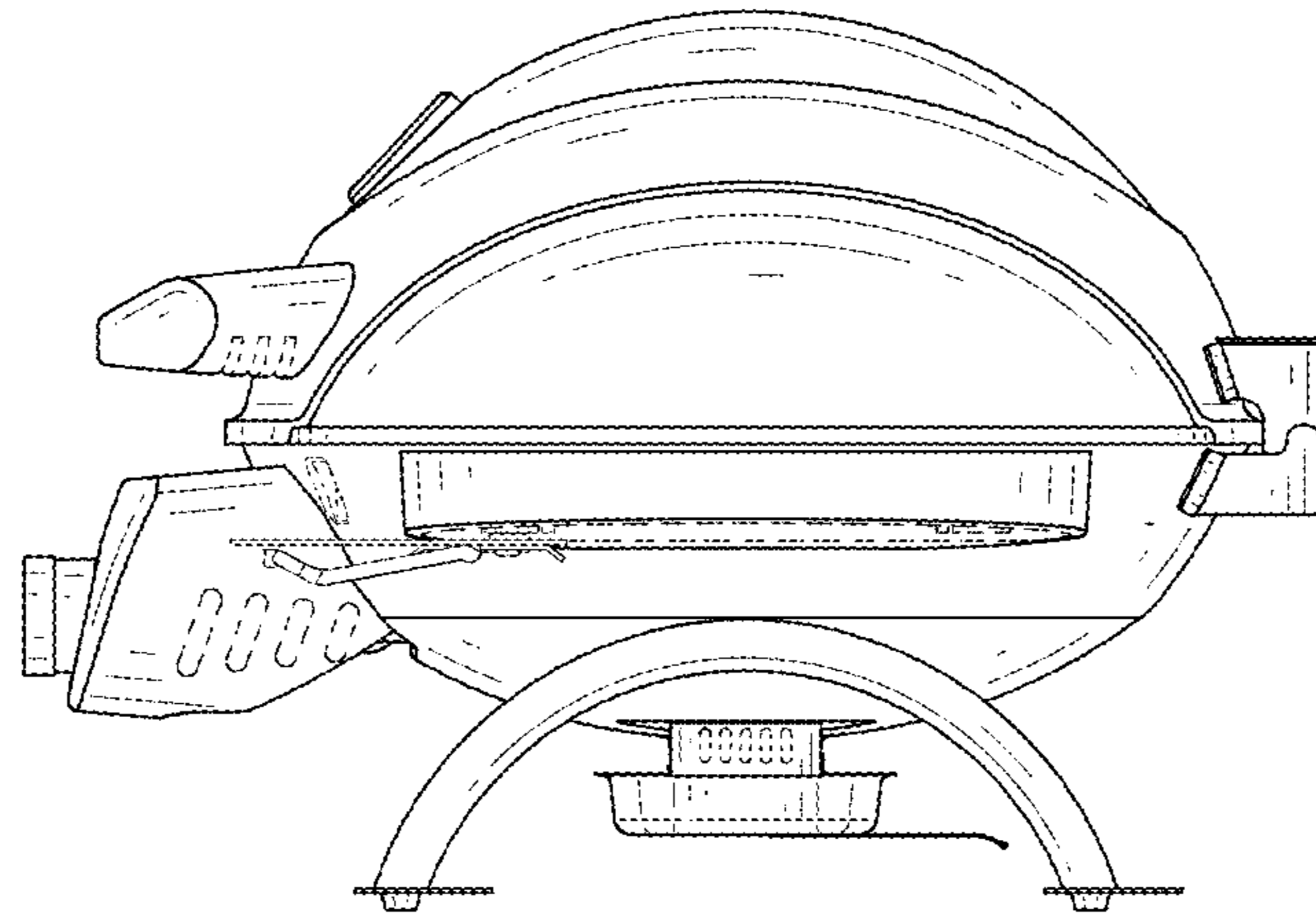


FIG. 20

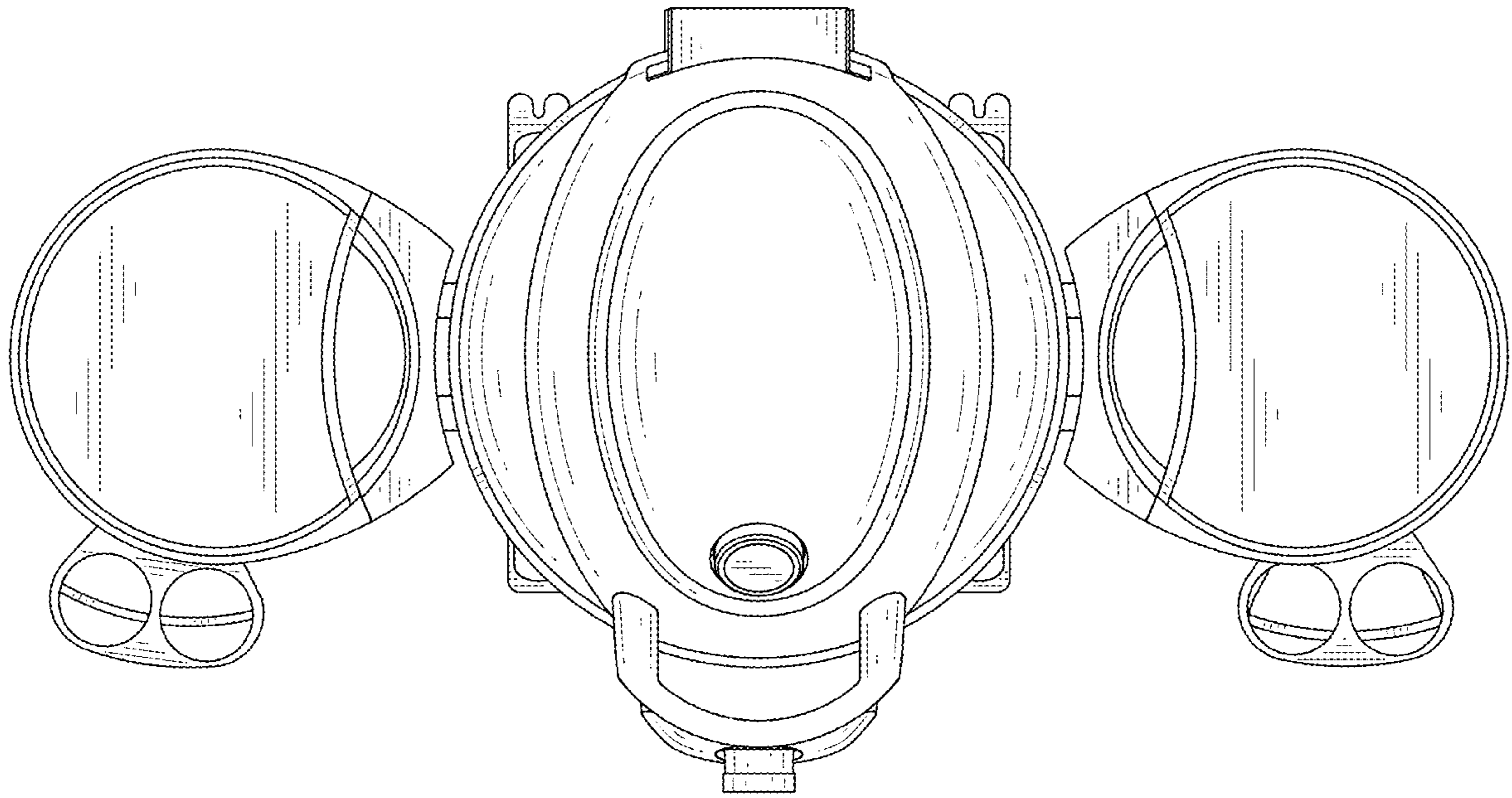


FIG. 21

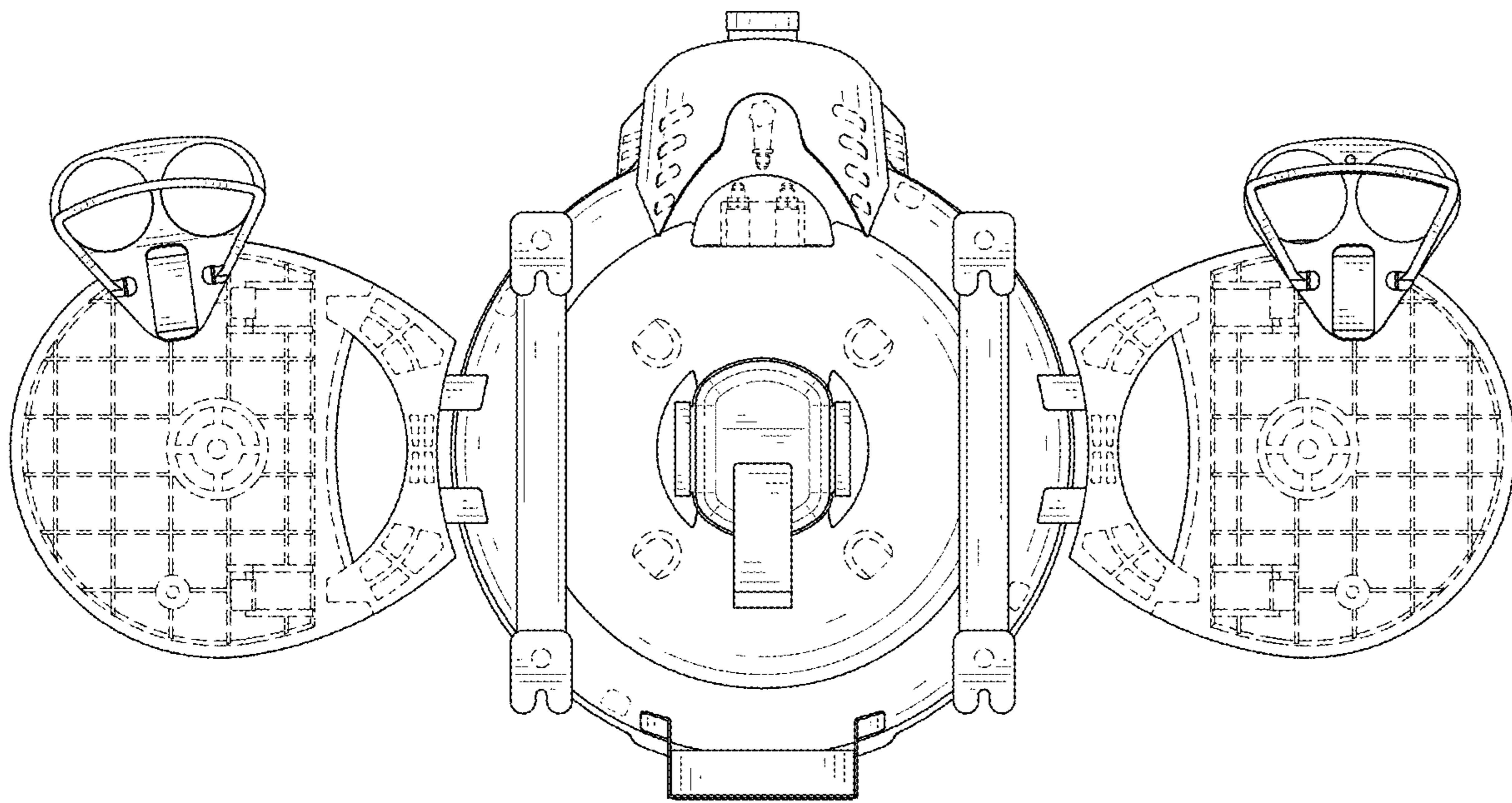


FIG. 22



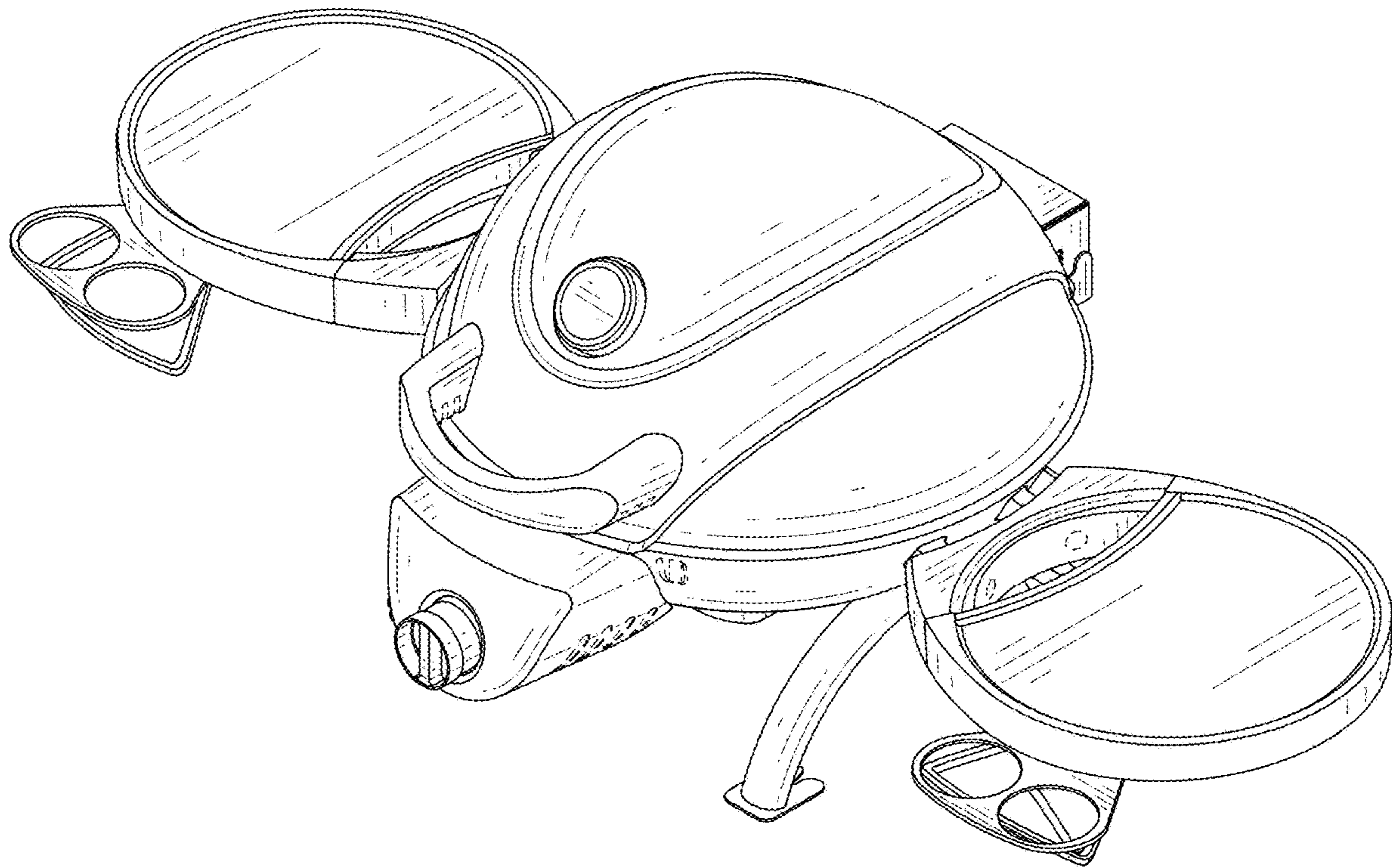


FIG. 23

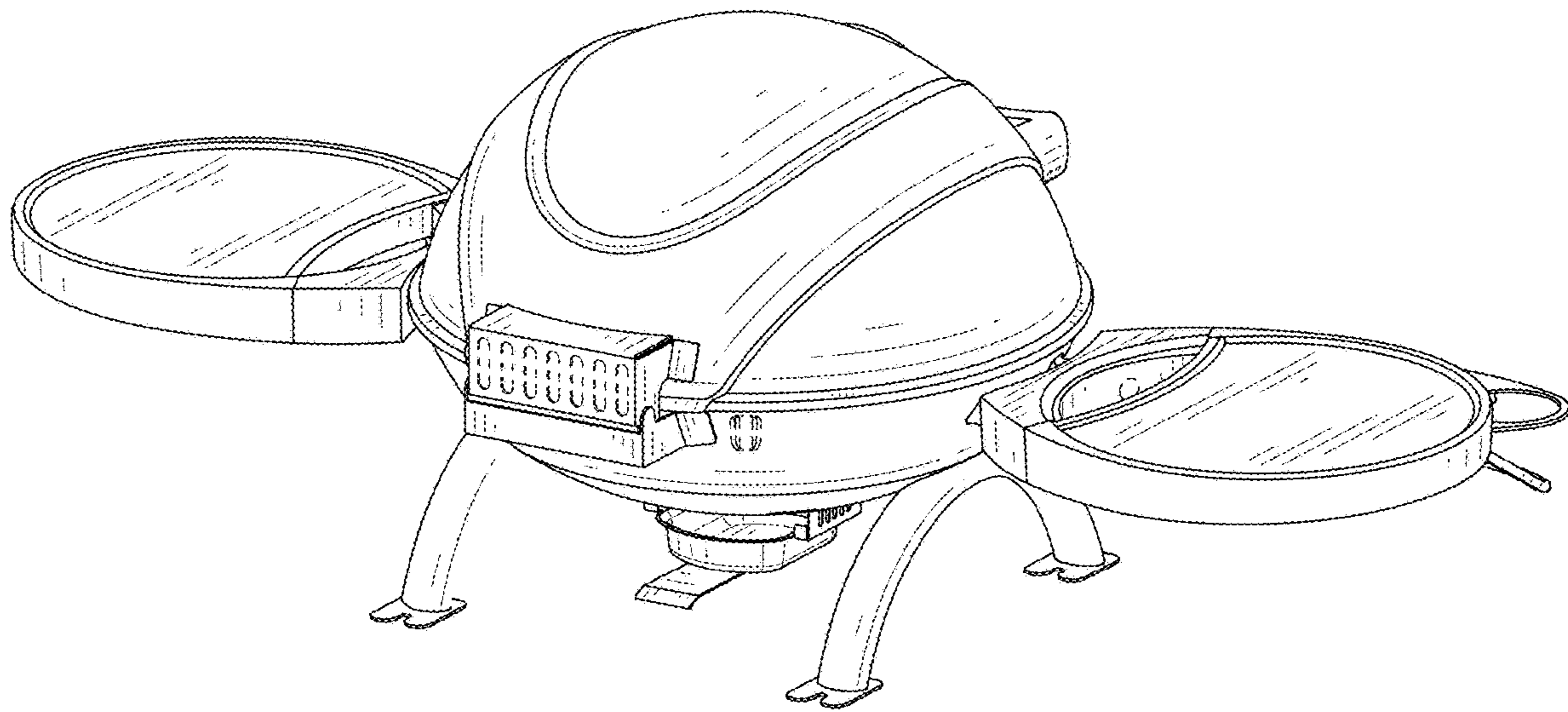


FIG. 24

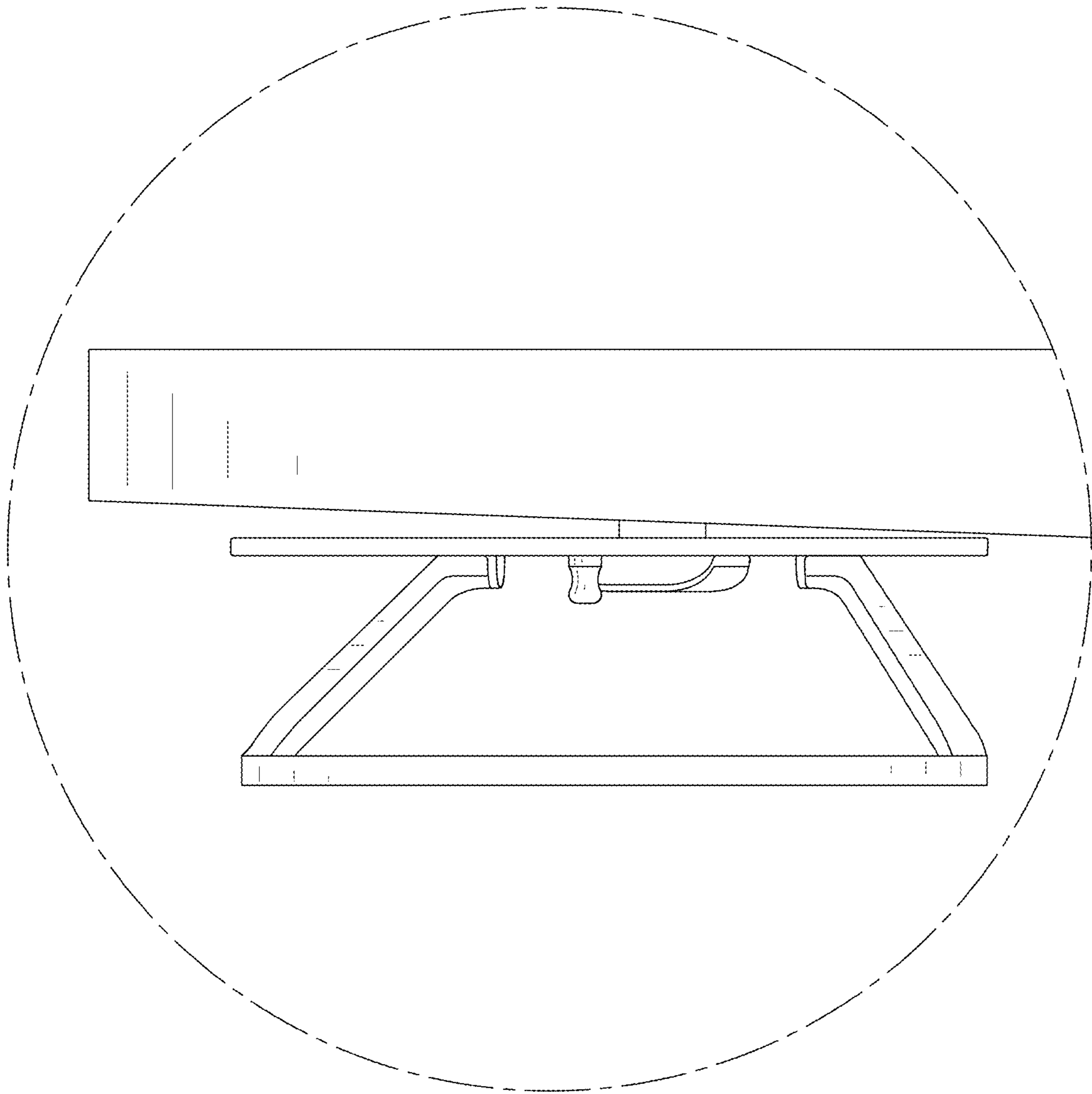


FIG. 25

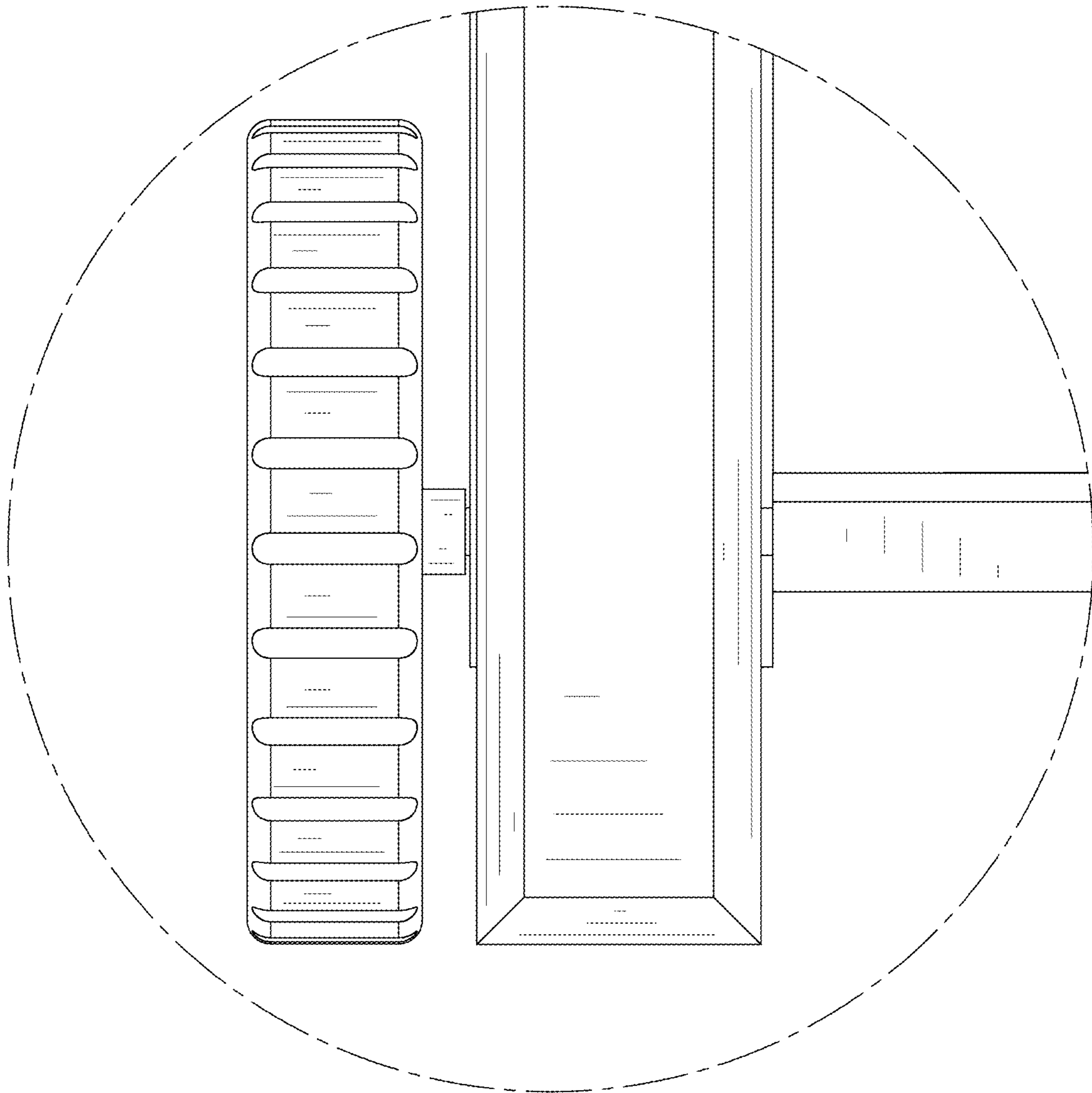


FIG. 26

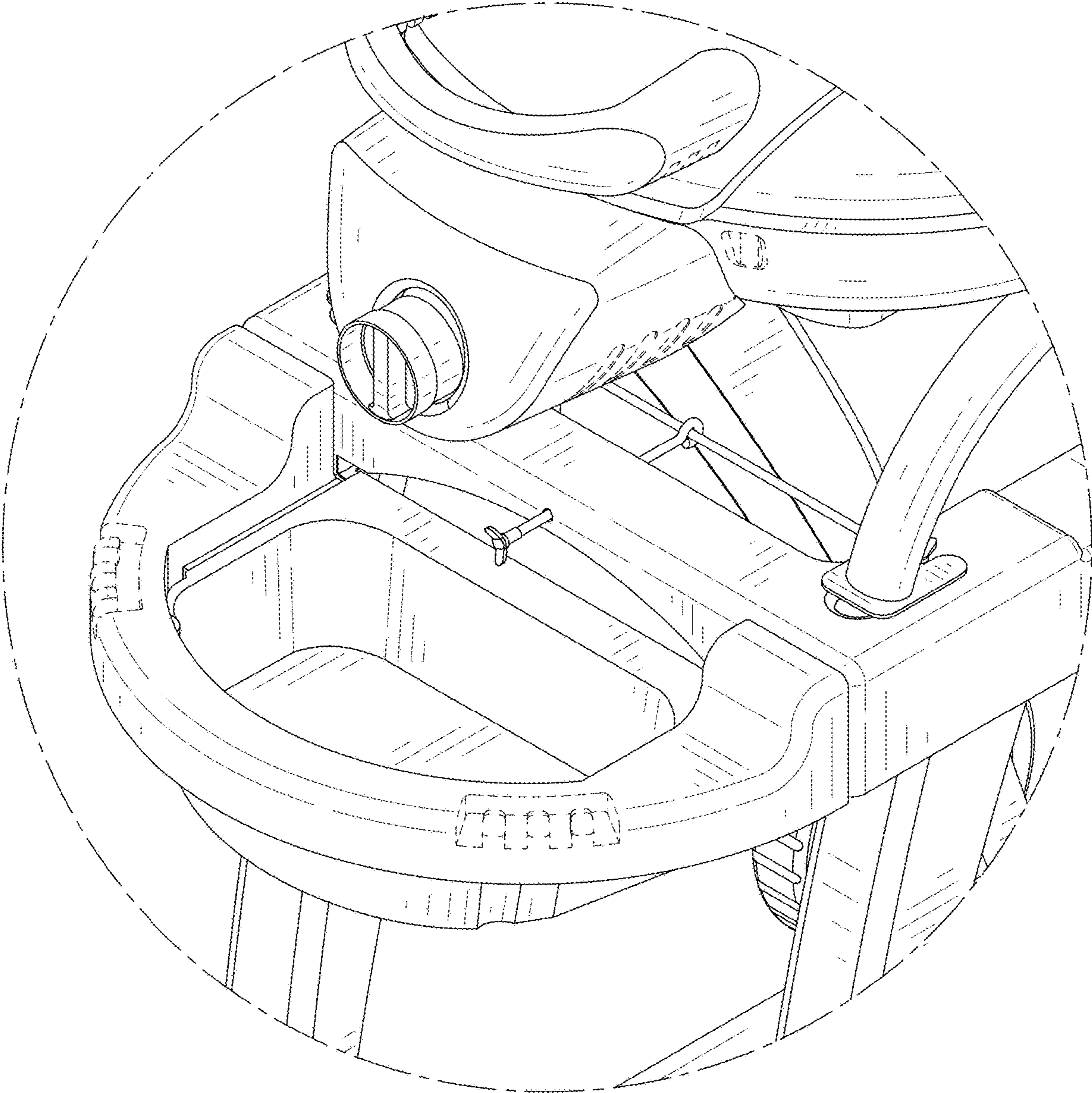


FIG. 27