



US00D883006S

(12) **United States Design Patent**
Miller et al.

(10) **Patent No.:** **US D883,006 S**

(45) **Date of Patent:** **** May 5, 2020**

(54) **DISPENSING KETTLE**

(71) Applicants: **Jake Miller**, San Francisco, CA (US);
Yulian Bagirov, Winston Salem, NC
(US)

(72) Inventors: **Jake Miller**, San Francisco, CA (US);
Yulian Bagirov, Winston Salem, NC
(US)

(73) Assignee: **FELLOW INDUSTRIES INC.**, San
Francisco, CA (US)

(**) Term: **15 Years**

(21) Appl. No.: **29/651,797**

(22) Filed: **Mar. 15, 2019**

(51) **LOC (12) Cl.** **07-01**

(52) **U.S. Cl.**
USPC **D7/321; D7/312**

(58) **Field of Classification Search**
USPC D7/598, 312, 317, 316, 318, 319, 300,
D7/320, 321, 322; D11/153, 146;
220/318

CPC A47G 19/22; A47G 19/16; A47G 19/12;
A47J 41/0094; A47J 31/20; A47J 27/21

See application file for complete search history.

(56) **References Cited**

U.S. PATENT DOCUMENTS

D265,621 S * 8/1982 Christov Urich D7/321
D300,439 S * 3/1989 Moomaw D21/525

D302,511 S * 8/1989 Porcelli D7/317
D316,797 S * 5/1991 Ancona D7/320
D343,984 S * 2/1994 Lin D7/314
5,339,978 A * 8/1994 Coppier A47J 27/21
220/318
D376,721 S * 12/1996 Chen D7/312
D432,851 S * 10/2000 Hoff D7/312
D526,830 S * 8/2006 Goulart D7/312
D528,345 S * 9/2006 Smaldone D7/321
D573,834 S * 7/2008 Iwasaki D7/317

* cited by examiner

Primary Examiner — Marianne N Pandozzi

(74) *Attorney, Agent, or Firm* — James A. Gavney, Jr.;
JAG Patent Services

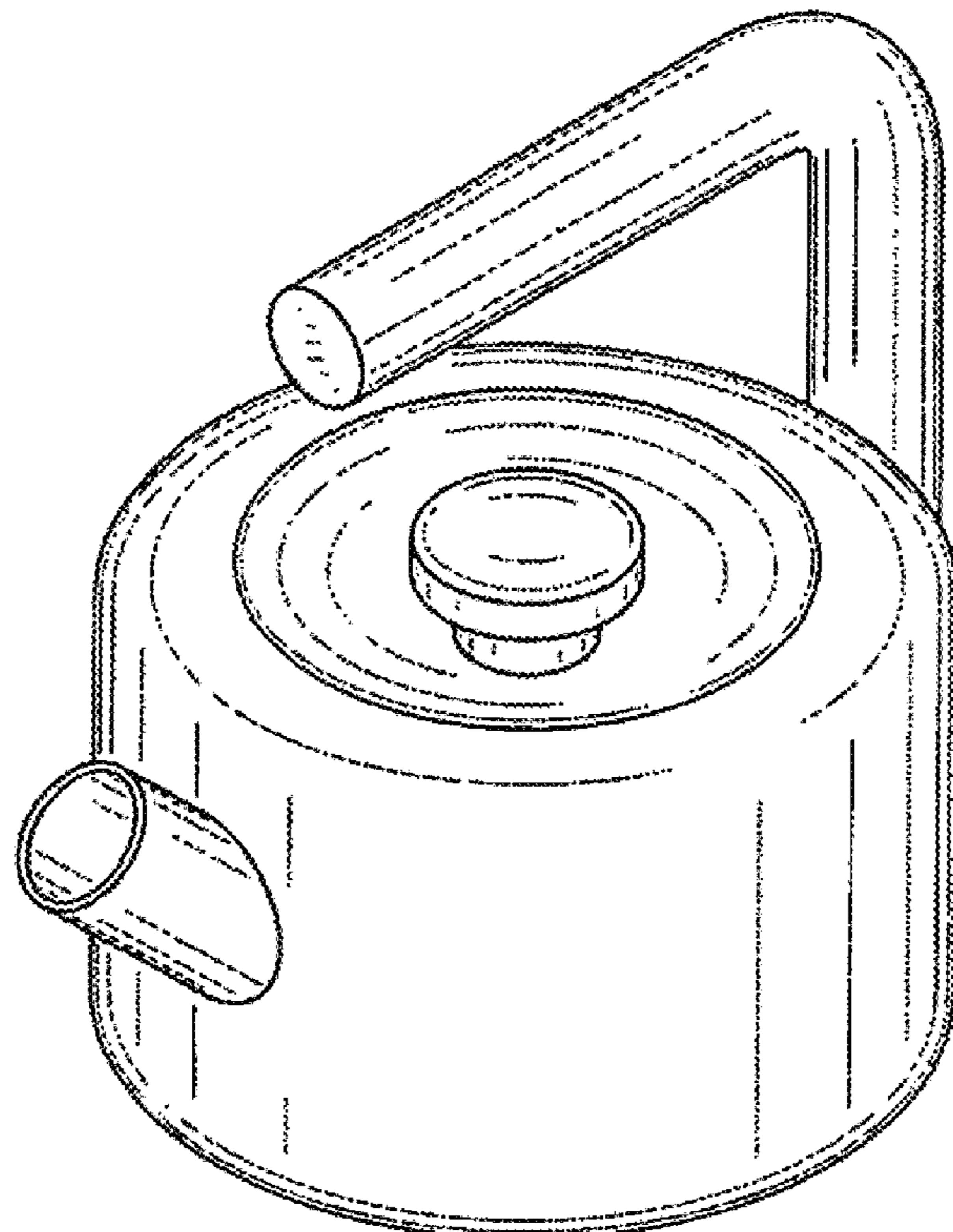
(57) **CLAIM**

We claim the ornamental design for a dispensing kettle, as
shown and described.

DESCRIPTION

FIG. 1 is a perspective view of a dispensing kettle showing
my new design;
FIG. 2 is a right or left view thereof;
FIG. 3 is a front view thereof;
FIG. 4 is a back view thereof;
FIG. 5 is a top view thereof; and,
FIG. 6 is a bottom view thereof.

1 Claim, 3 Drawing Sheets



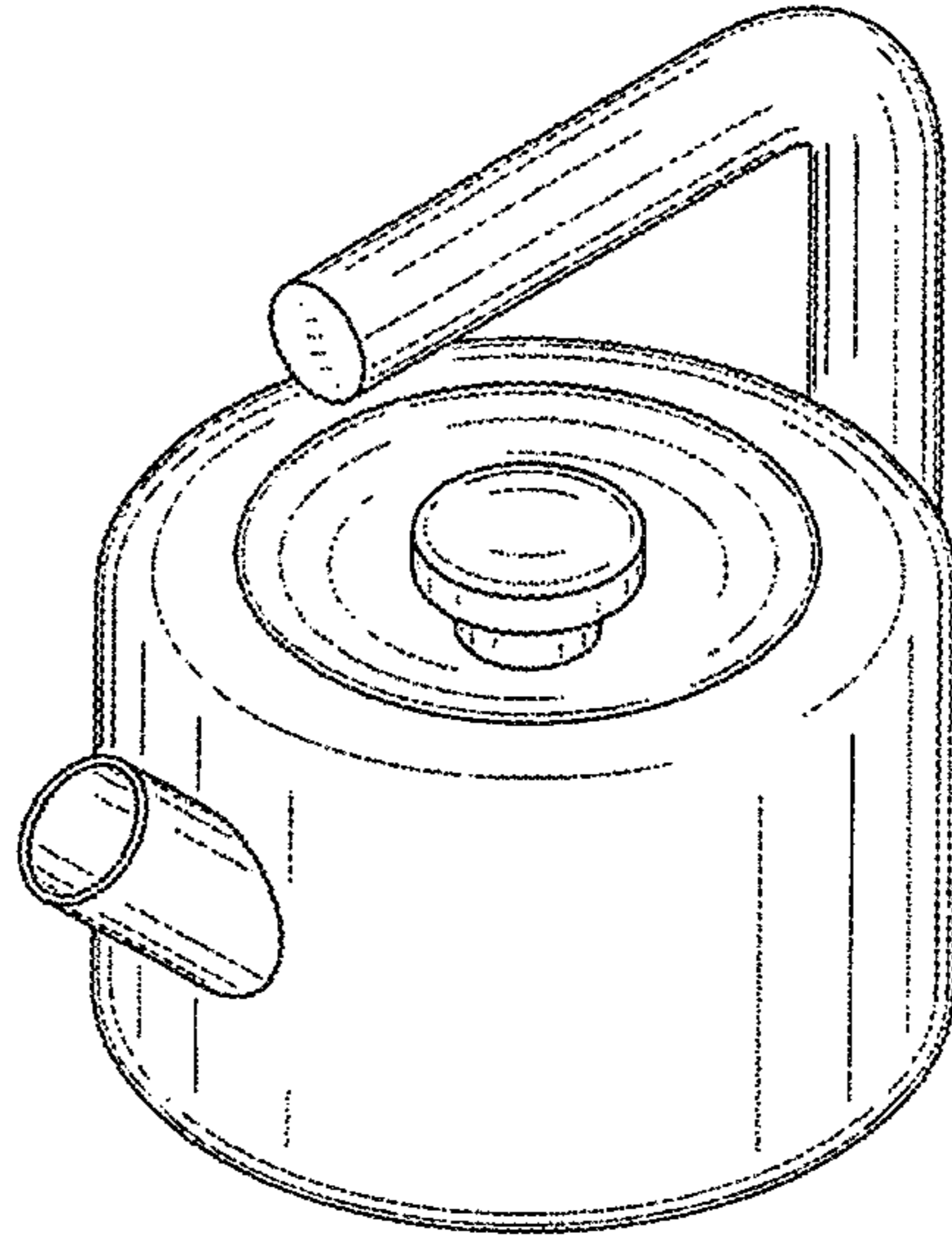


FIG. 1

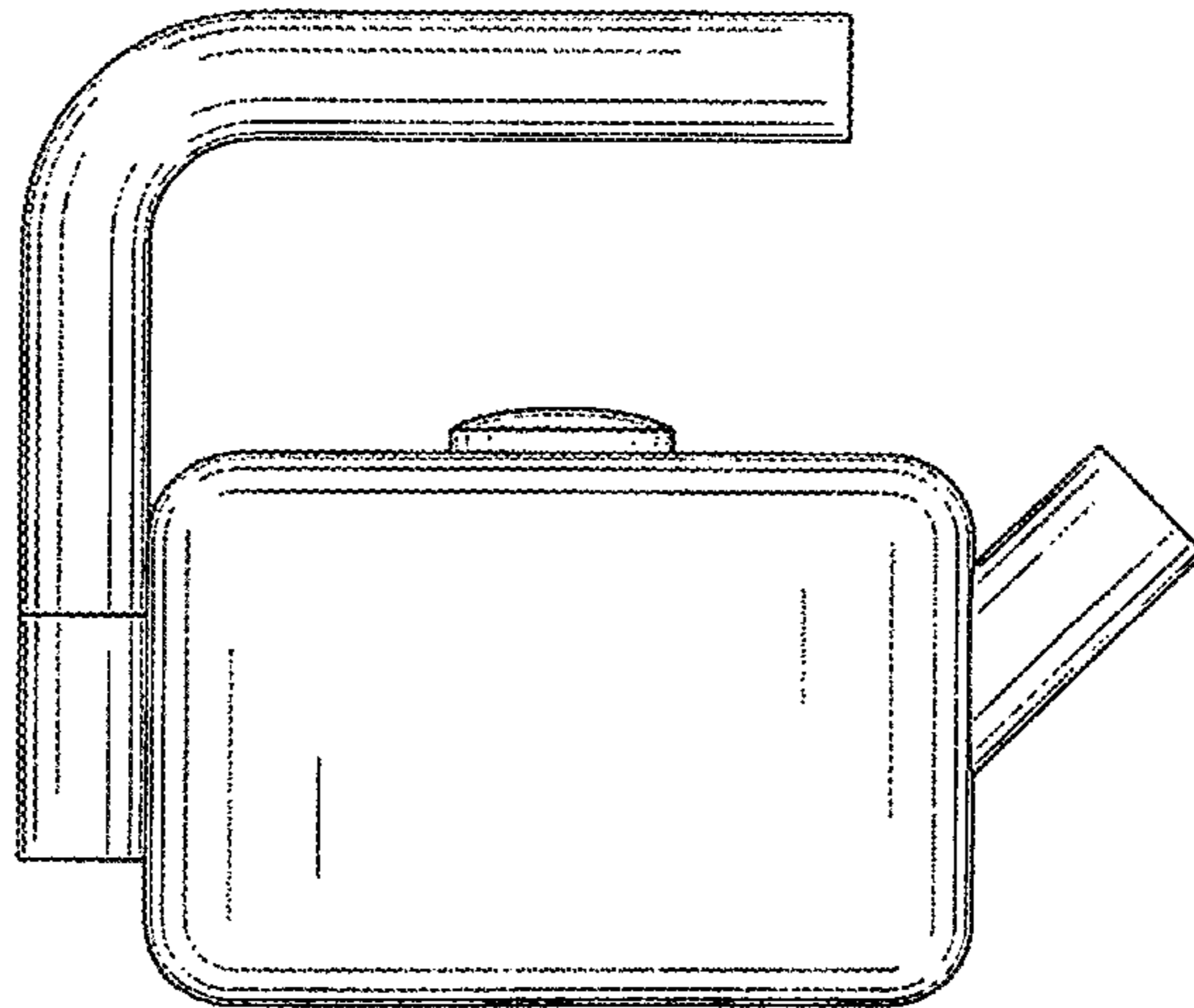


FIG. 2

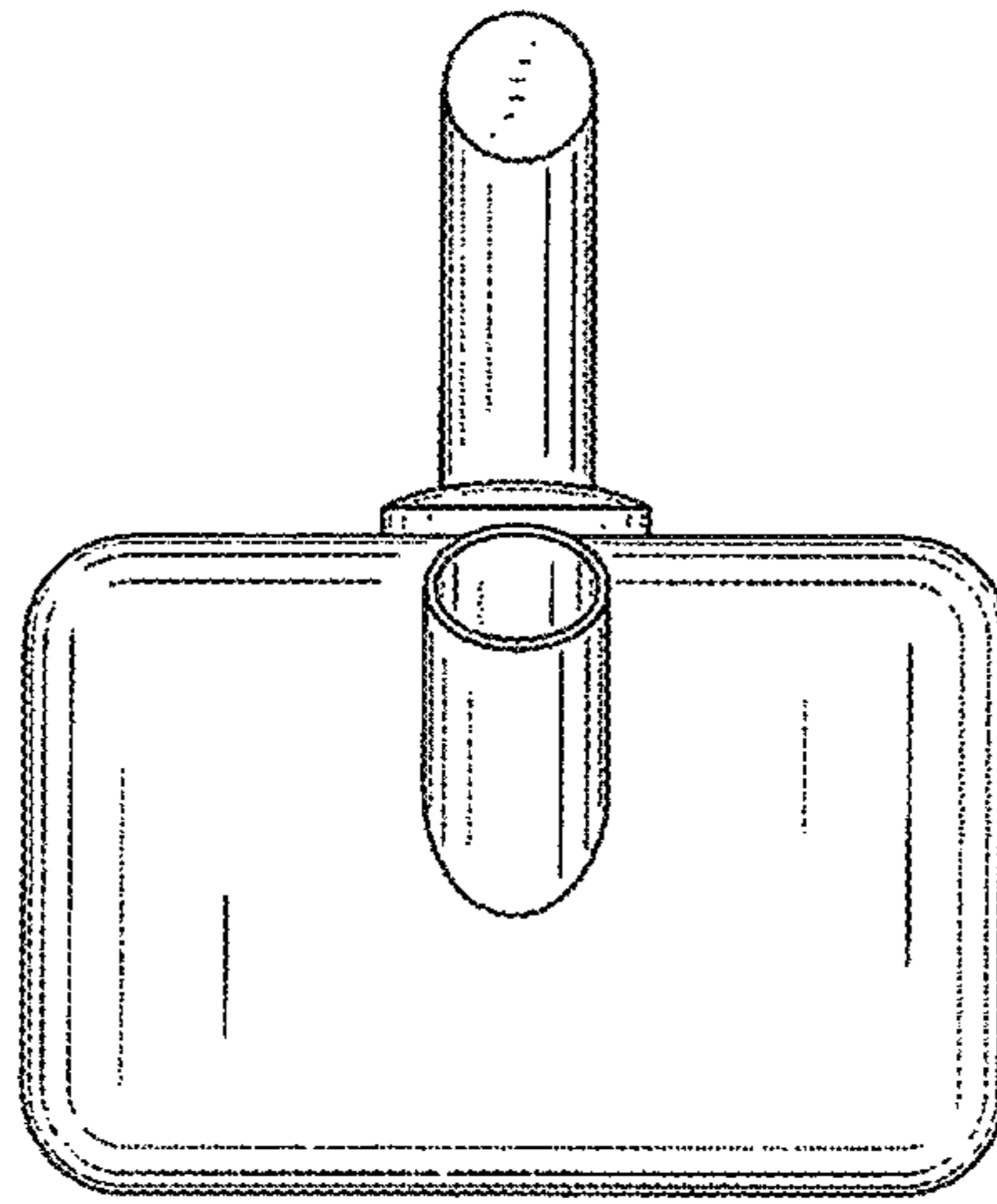


FIG. 3

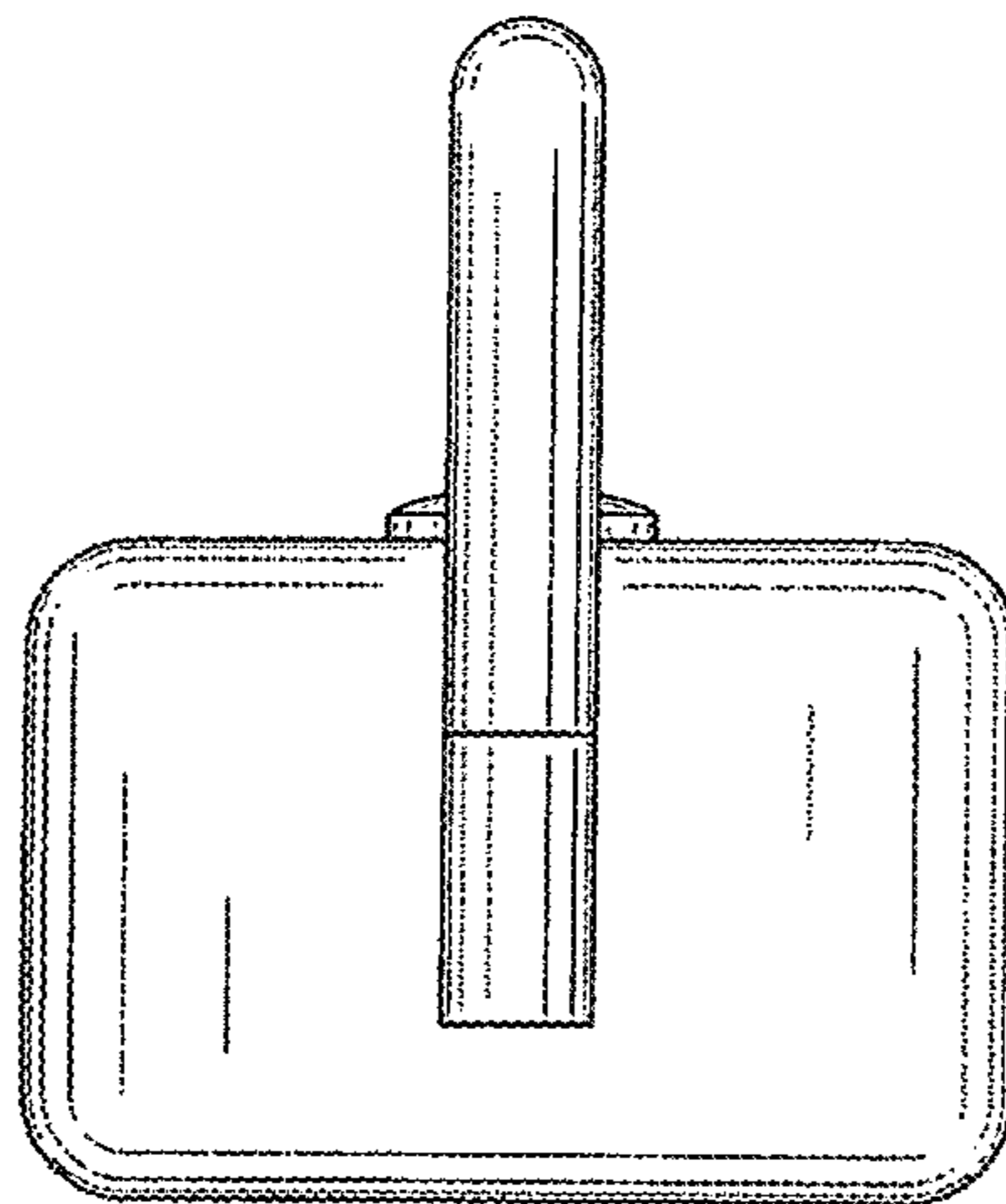


FIG. 4

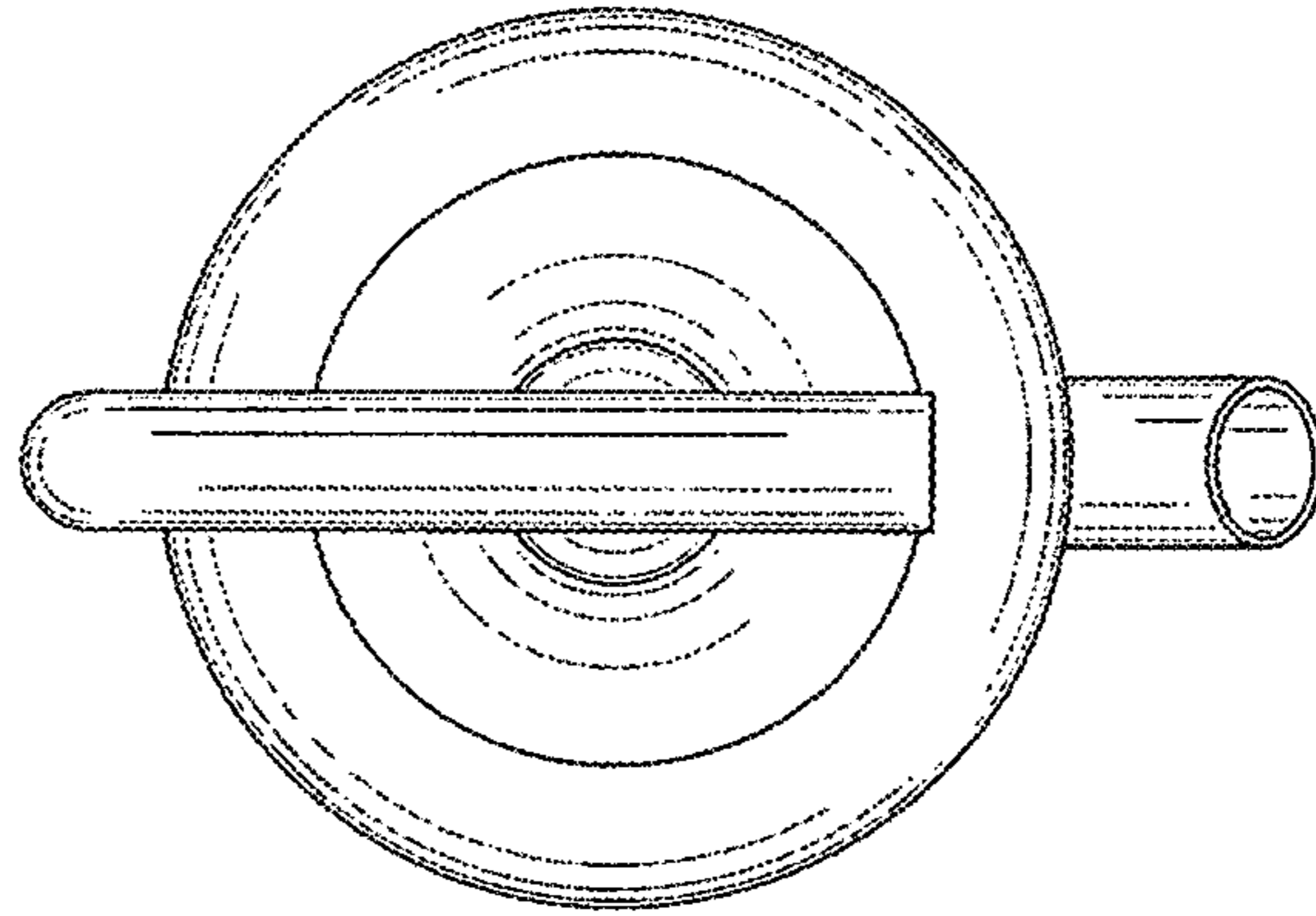


FIG. 5

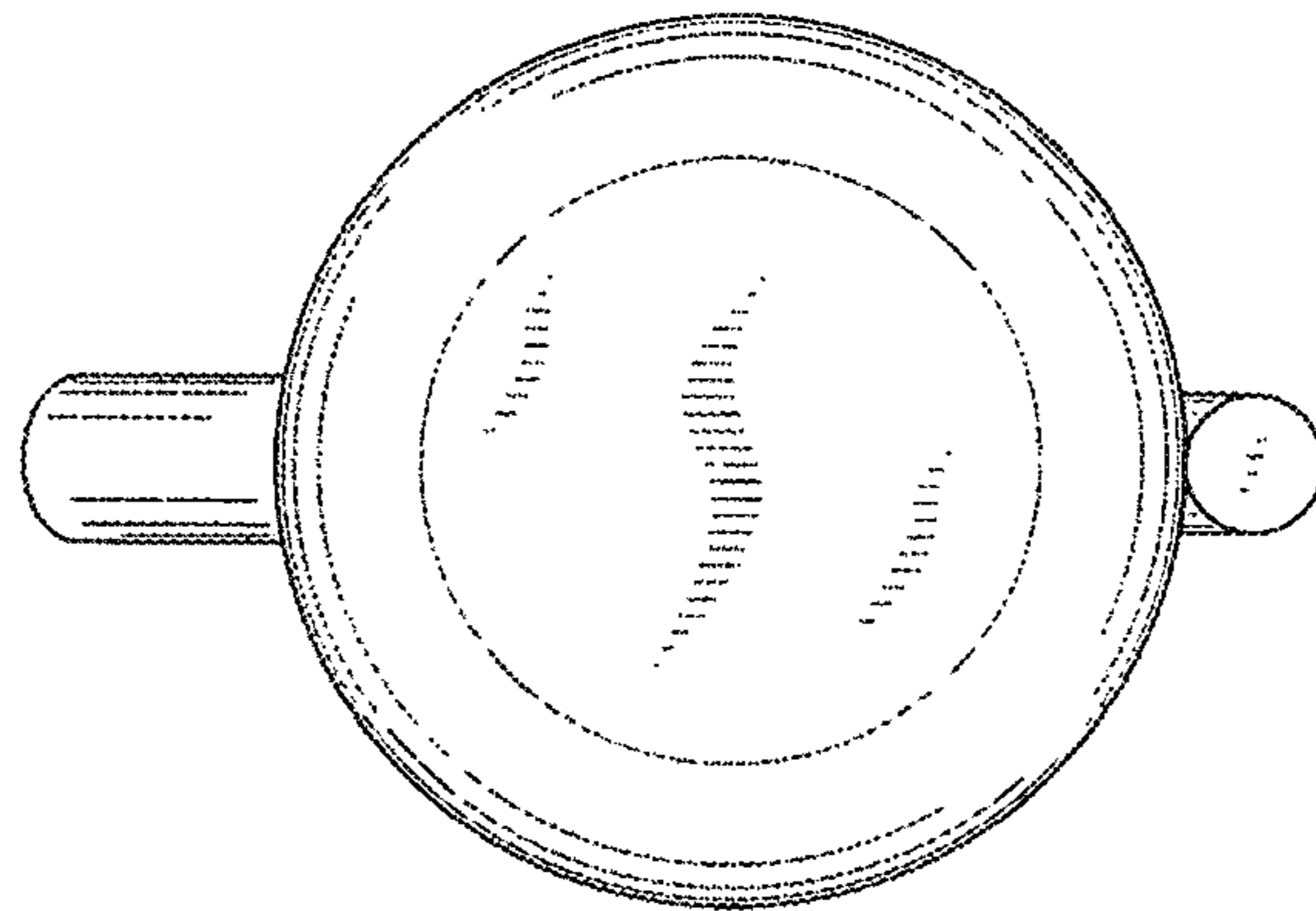


FIG. 6