



US00D883004S

(12) **United States Design Patent**
Mortara

(10) **Patent No.:** **US D883,004 S**

(45) **Date of Patent:** **** May 5, 2020**

(54) **SWIZZLE STICK**

(71) Applicant: **Ronald W. Mortara**, Cambridge, MA
(US)

(72) Inventor: **Ronald W. Mortara**, Cambridge, MA
(US)

(**) Term: **15 Years**

(21) Appl. No.: **29/632,167**

(22) Filed: **Jan. 5, 2018**

(51) **LOC (12) Cl.** **07-06**

(52) **U.S. Cl.**

USPC **D7/300.2; D7/300**

(58) **Field of Classification Search**

USPC D7/300.2, 397, 505, 507, 635, 643, 683,
D7/387, 213, 400, 664, 653, 648, 300;
D20/22, 28; D9/499, 434; D23/209,
D23/210; D27/101

CPC A47G 21/181; A47G 21/18; A01M 3/022

See application file for complete search history.

(56) **References Cited**

U.S. PATENT DOCUMENTS

375,962 A *	1/1888	Stone	F16L 11/16
				138/154
2,613,107 A *	10/1952	Hartnett	A47G 21/181
				239/33
2,837,234 A *	6/1958	Mainiere	B65D 77/283
				215/229
2,979,267 A *	4/1961	Miller	A47G 21/181
				215/388
3,315,405 A *	4/1967	Hoffer	A47G 21/182
				239/33
3,545,980 A *	12/1970	Stanger	A47G 21/183
				426/134
4,065,107 A *	12/1977	Van Horbek	A47J 43/1068
				366/343
4,134,494 A *	1/1979	Wong	A47G 21/187
				206/216
D278,017 S	3/1985	Martin		

D291,956 S	9/1987	Fenner		
4,715,505 A	12/1987	DeMars		
D307,996 S	5/1990	DeMars		
5,151,720 A	9/1992	Kanbar		
5,501,554 A *	3/1996	Robinson	B23B 51/101
				408/153
6,471,391 B1	10/2002	Opitz		
		(Continued)		

OTHER PUBLICATIONS

Fergus, J., What's a Swizzle stick and How Do You Use It? Food and Drink, Sep. 6, 2017.

Primary Examiner — Karen S Acker

Assistant Examiner — Steven B Reinholdt, Jr.

(74) *Attorney, Agent, or Firm* — Preti Flaherty Beliveau & Pachios LLP

(57) **CLAIM**

The ornamental design for a swizzle stick, as shown and described.

DESCRIPTION

FIG. 1 is a perspective view of a swizzle stick in accordance with the design of the swizzle stick;

FIG. 2 is a top view of a swizzle stick of FIG. 1 in accordance with the design;

FIG. 3 is a front view of the swizzle stick of FIG. 1 in accordance with the design, the rear view being identical to the front view;

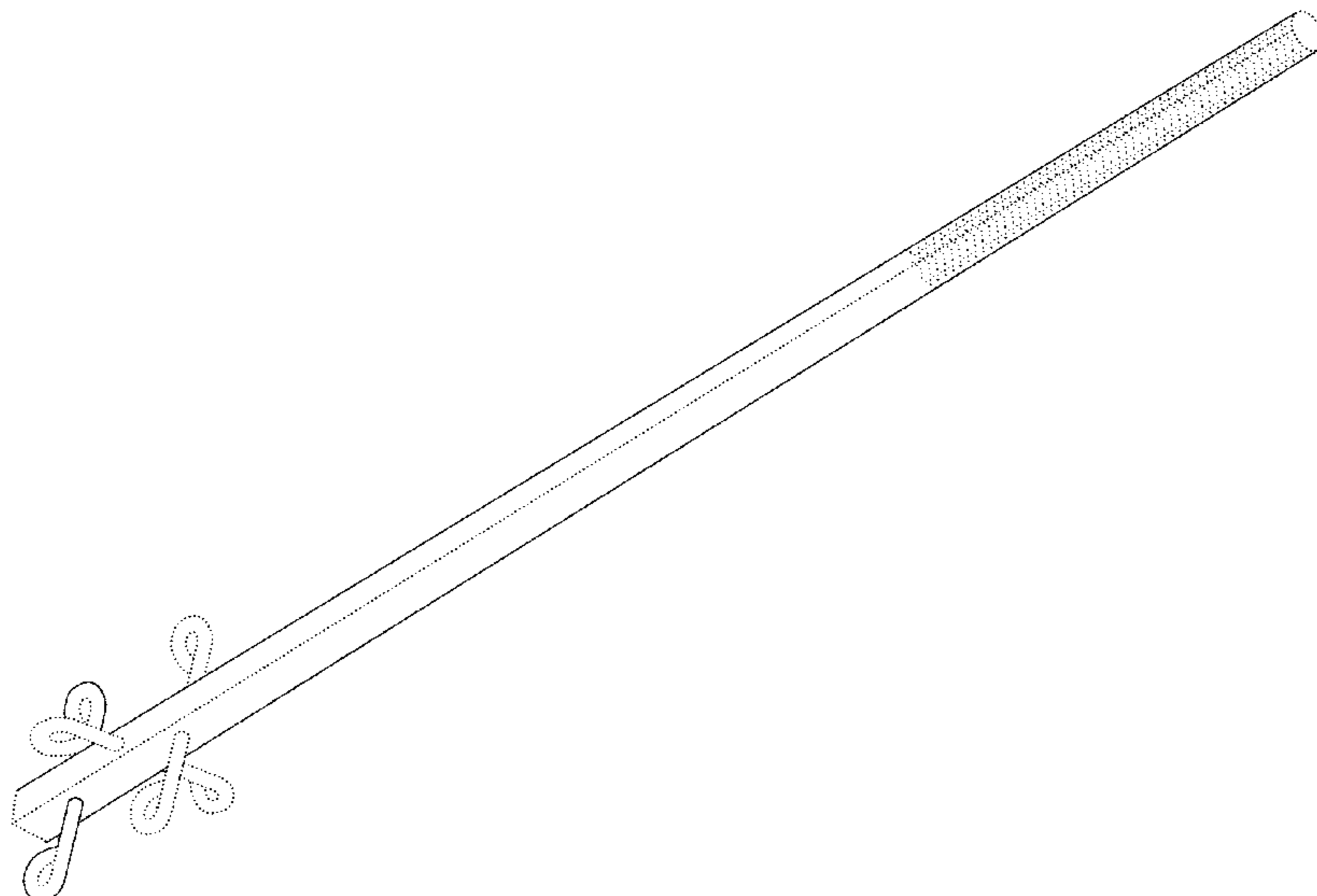
FIG. 4 is a right-side view of the swizzle stick of FIG. 1 in accordance with the design, the left- side view being identical to the right-side view; and,

FIG. 5 is a bottom view of the swizzle stick of FIG. 1 in accordance with the design.

The broken lines in the drawings depict portions of the Swizzle Stick that form no part of the claimed design.

The ornamental design for a swizzle stick as shown and described.

1 Claim, 2 Drawing Sheets



(56)

References Cited

U.S. PATENT DOCUMENTS

D488,339	S	4/2004	Lee	
6,974,598	B2	12/2005	Scullion et al.	
7,108,236	B2	9/2006	Cordia	
D532,242	S *	11/2006	Aikens	D7/300.2
D590,650	S	4/2009	Aoki et al.	
7,785,641	B2	8/2010	Scullion et al.	
D638,243	S *	5/2011	Carlson	D7/300.2
D730,671	S	6/2015	Federighi	
2001/0054618	A1 *	12/2001	Ferrari	B65D 17/4012 220/706
2005/0142252	A1 *	6/2005	Brown	A23L 2/395 426/85
2008/0128529	A1 *	6/2008	Fernandez	A47G 21/181 239/33
2015/0173543	A1 *	6/2015	Dommarco Lindenthal- Breier	A47G 21/181 239/33
2016/0051071	A1 *	2/2016	Buck	A47G 21/187 239/33
2018/0084933	A1 *	3/2018	Ishchenko	A47G 21/181
2019/0208962	A1 *	7/2019	Mortara	A47J 43/27

* cited by examiner

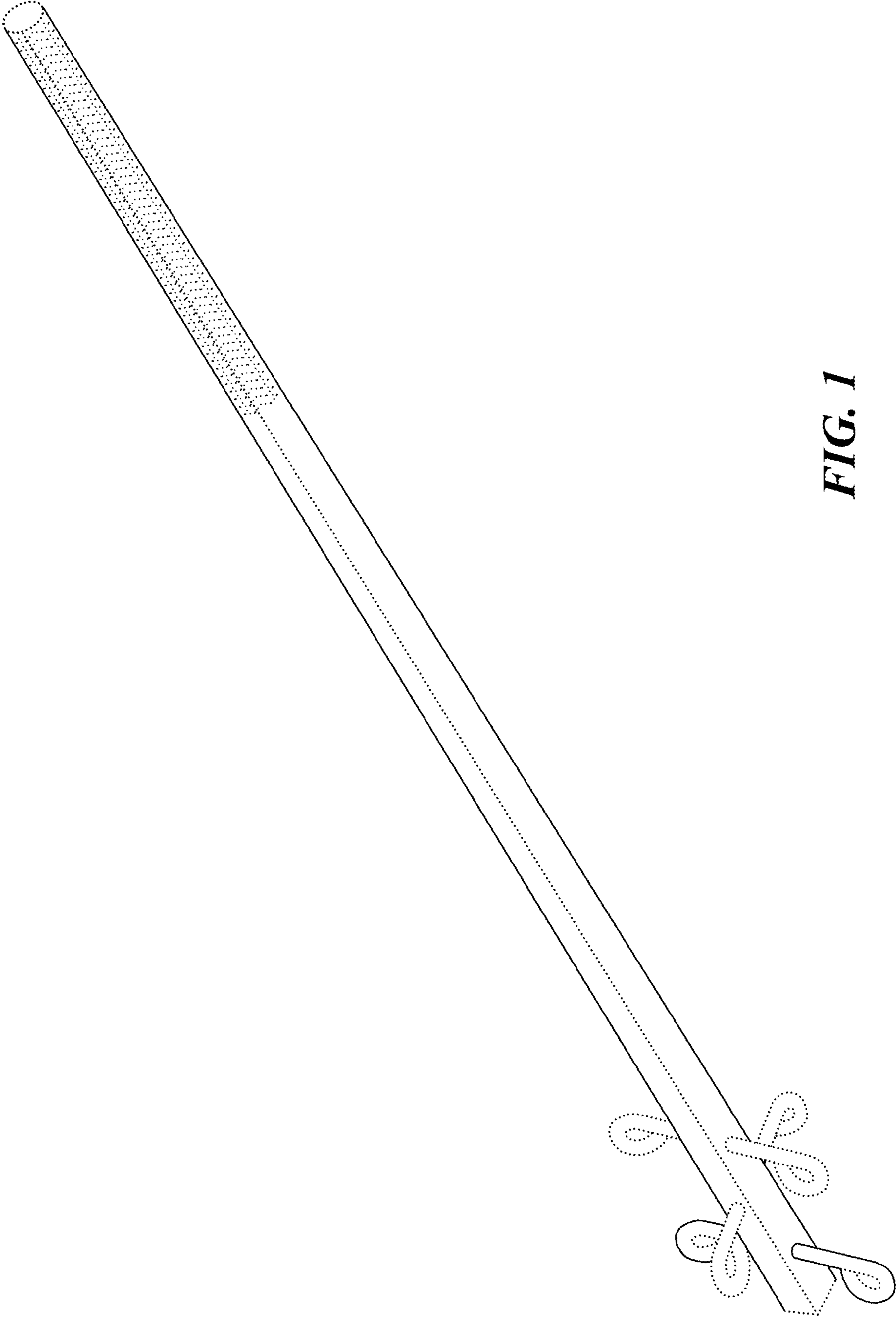


FIG. 1

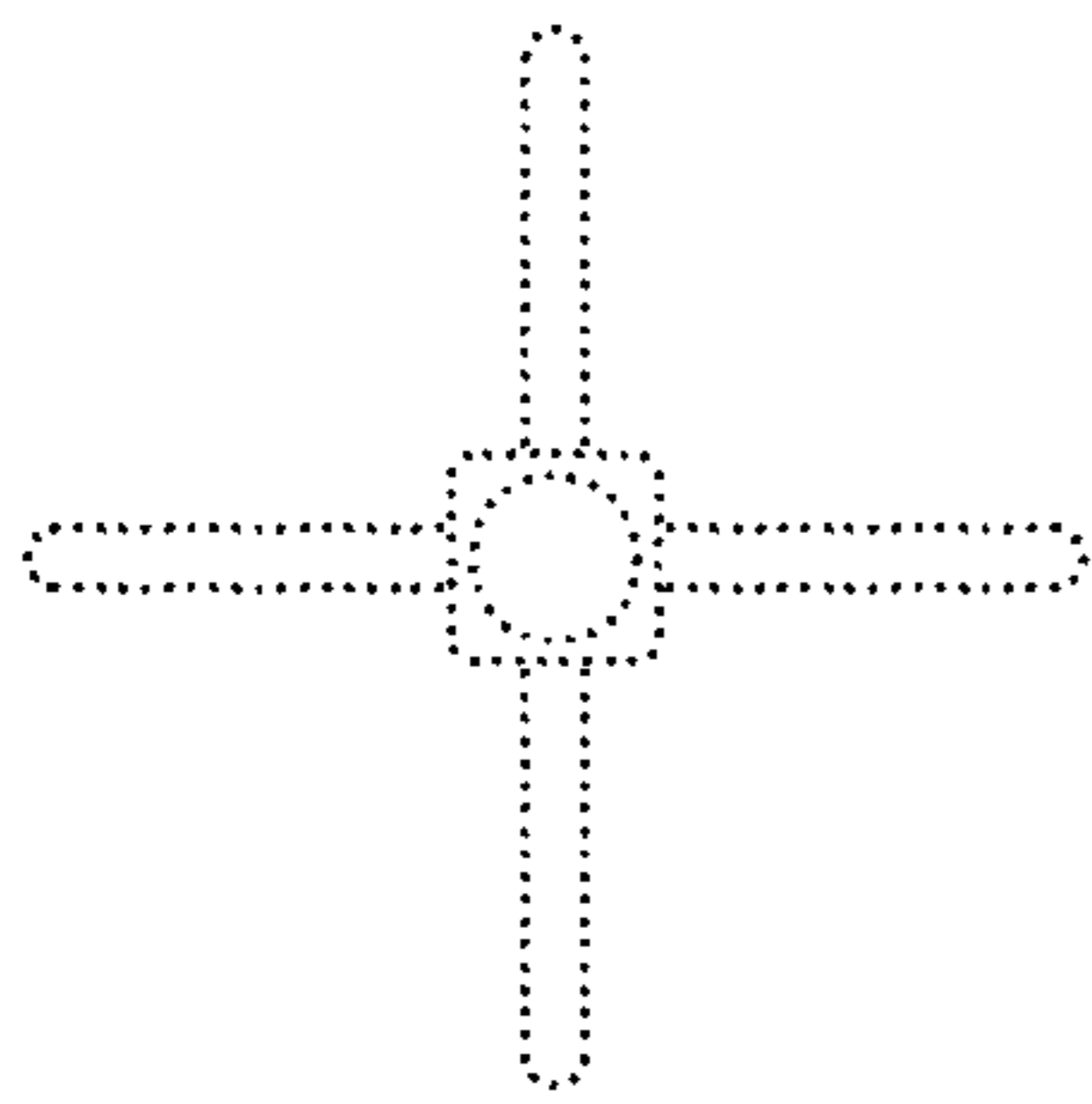


FIG. 2

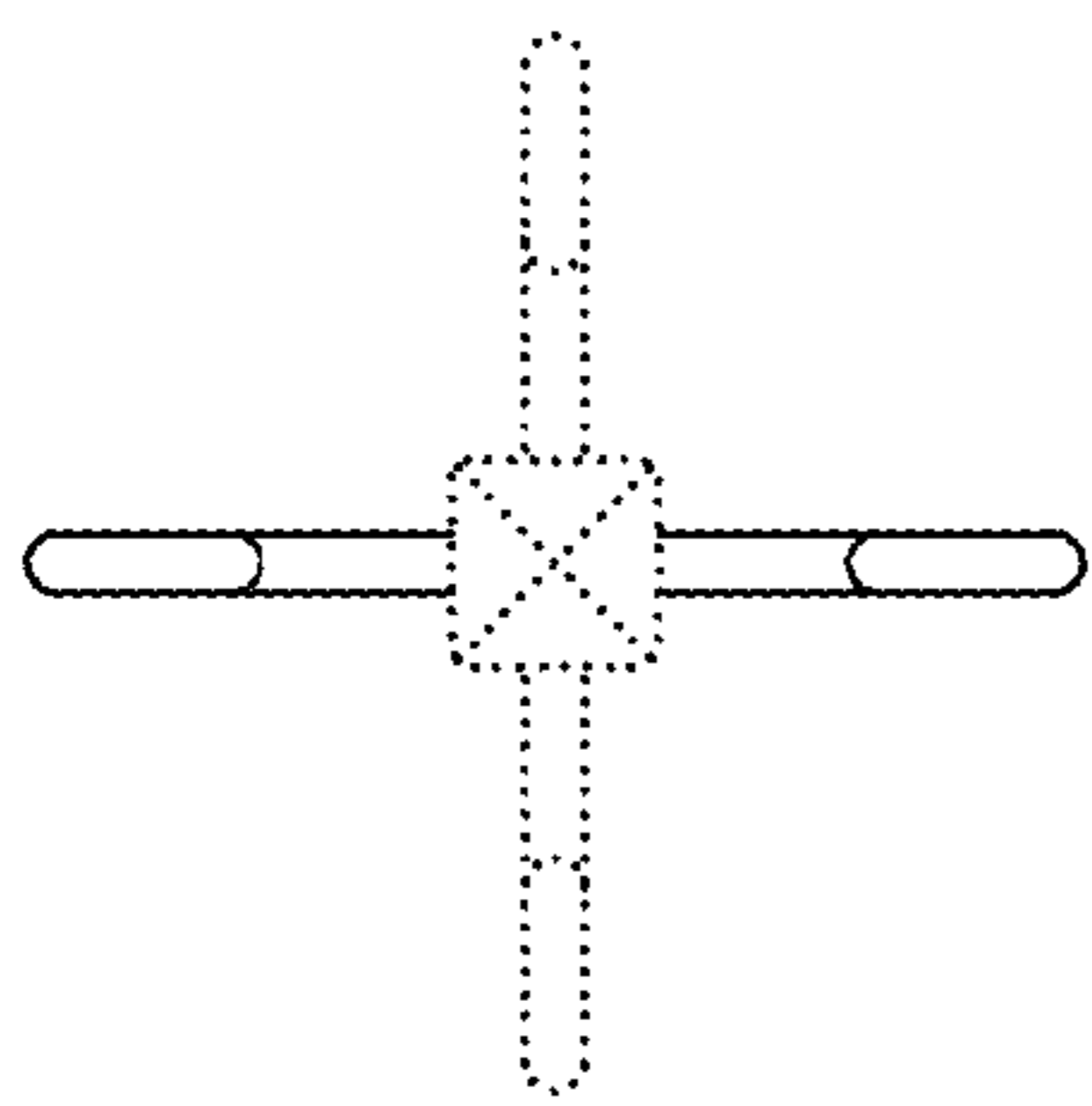


FIG. 5

FIG. 3

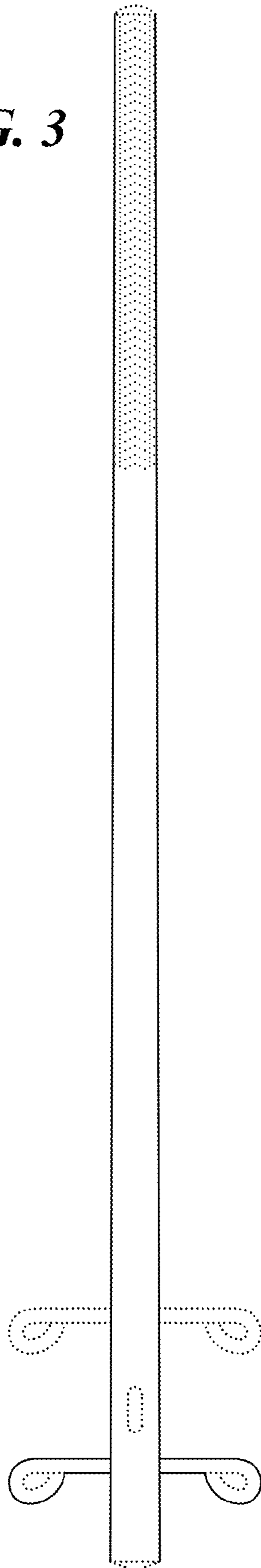


FIG. 4

