



US00D883000S

(12) **United States Design Patent** (10) **Patent No.:** **US D883,000 S**  
**Kumazawa** (45) **Date of Patent:** **\*\* May 5, 2020**

(54) **CHAIR** D390,024 S 2/1998 DeJule  
D516,830 S \* 3/2006 Leist ..... A47C 3/04  
D6/373  
(71) Applicant: **AICHI CO., LTD.**, Nagoya-shi, Aichi (JP) D569,644 S 5/2008 Kumazawa  
D592,873 S 5/2009 Olano Jauregui  
D597,757 S 8/2009 Barbieri  
(72) Inventor: **Taku Kumazawa**, Nagoya (JP) D600,465 S 9/2009 Kumazawa  
D609,488 S 2/2010 Kumazawa  
(73) Assignee: **AICHI CO., LTD.**, Nagoya-Shi, Aichi-Ken (JP) (Continued)

(\*\*) Term: **15 Years**

(21) Appl. No.: **29/660,249**

(22) Filed: **Aug. 20, 2018**

**Related U.S. Application Data**

(62) Division of application No. 35/503,377, filed on Jan. 20, 2017 (U.S. filing date under 35 U.S.C. 384), and having an international filing date of Jan. 20, 2017, now Pat. No. Des. 853,143.

**Foreign Application Priority Data**

(30) Sep. 30, 2016 (JP) ..... 2016-021189

(51) **LOC (12) Cl.** ..... **06-06**

(52) **U.S. Cl.**  
USPC ..... **D6/716**

(58) **Field of Classification Search**

USPC ..... D6/334, 368, 374, 379, 380, 716, 716.1, D6/716.2

CPC .... A47C 3/00; A47C 3/12; A47C 4/02; A47C 4/02; A47C 5/00; A47C 7/00; A47C 7/02; A47C 7/36

See application file for complete search history.

(56) **References Cited**

**U.S. PATENT DOCUMENTS**

3,365,233 A 1/1968 Uyeda et al.  
D269,831 S 7/1983 Crone

**OTHER PUBLICATIONS**

Restriction Requirement for U.S. Appl. No. 35/503,377, dated Jun. 19, 2018, 6 pages.

(Continued)

*Primary Examiner* — Mary Ann Calabrese

(74) *Attorney, Agent, or Firm* — Withrow & Terranova, P.L.L.C.; Vincent K. Gustafson

(57) **CLAIM**

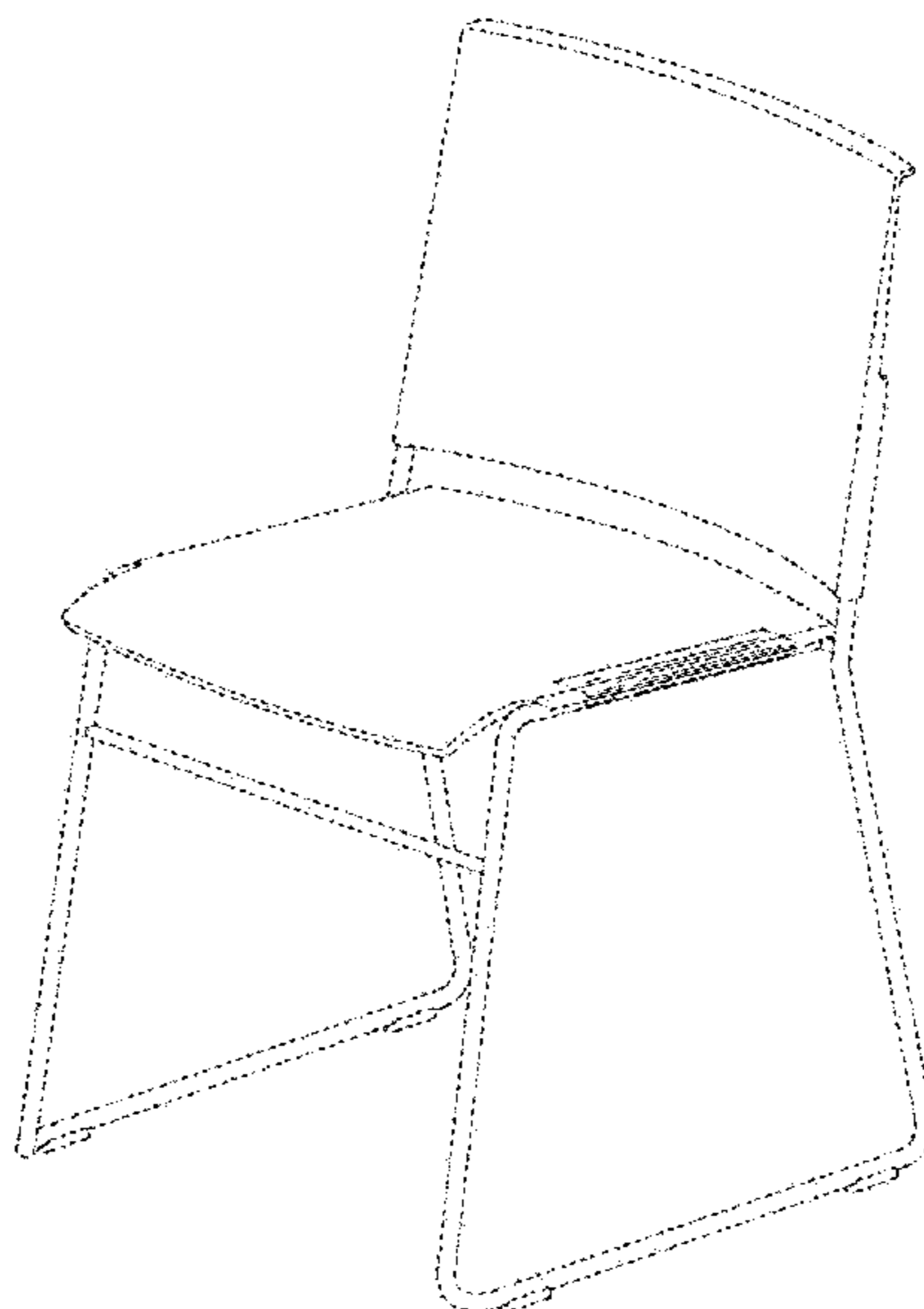
The ornamental design for a chair, as shown and described.

**DESCRIPTION**

FIG. 1 is a perspective view of a chair showing my design; FIG. 2 is a front elevational view of the chair; FIG. 3 is a rear elevational view of the chair; FIG. 4 is a right side elevational view of the chair; FIG. 5 is a left side elevational view of the chair; FIG. 6 is a top plan view of the chair; FIG. 7 is a bottom plan view of the chair; FIG. 8 is a cross-sectional view of the chair taken in the direction of line 8-8 shown in FIG. 6; and, FIG. 9 is an enlarged fragmentary view of the left end of FIG. 8.

In the drawings, the dash-dash broken lines show portions of the chair that form no part of the claimed design. The dot-dash-dot broken lines represent the boundaries of the claim and form no part thereof.

**1 Claim, 7 Drawing Sheets**



(56)

**References Cited**

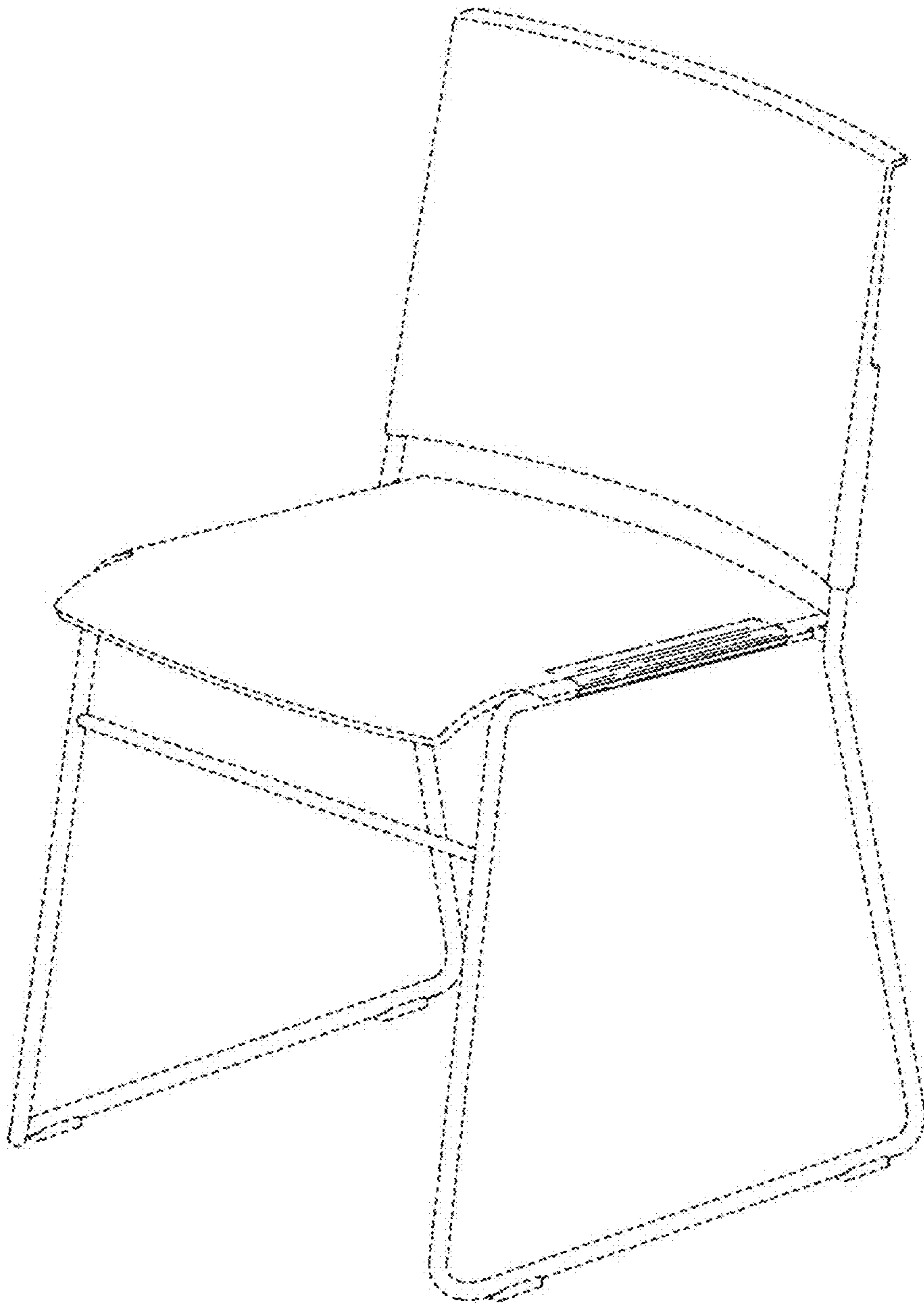
U.S. PATENT DOCUMENTS

D617,568 S 6/2010 Kumazawa  
D648,150 S \* 11/2011 Kumazawa ..... D6/373  
D668,072 S 10/2012 Kumazawa  
9,161,629 B2 \* 10/2015 Huang ..... A47C 3/04  
9,872,567 B2 \* 1/2018 Kumazawa ..... A47C 3/045  
D852,554 S \* 7/2019 Geelen ..... A47C 7/28  
D6/673  
D853,143 S \* 7/2019 Kumazawa ..... D6/373  
2008/0106136 A1 \* 5/2008 Heidmann ..... A47C 7/28  
297/452.56  
2015/0015051 A1 \* 1/2015 Huang ..... A47C 3/04  
297/445.1  
2017/0164745 A1 \* 6/2017 Huang ..... A47C 3/00

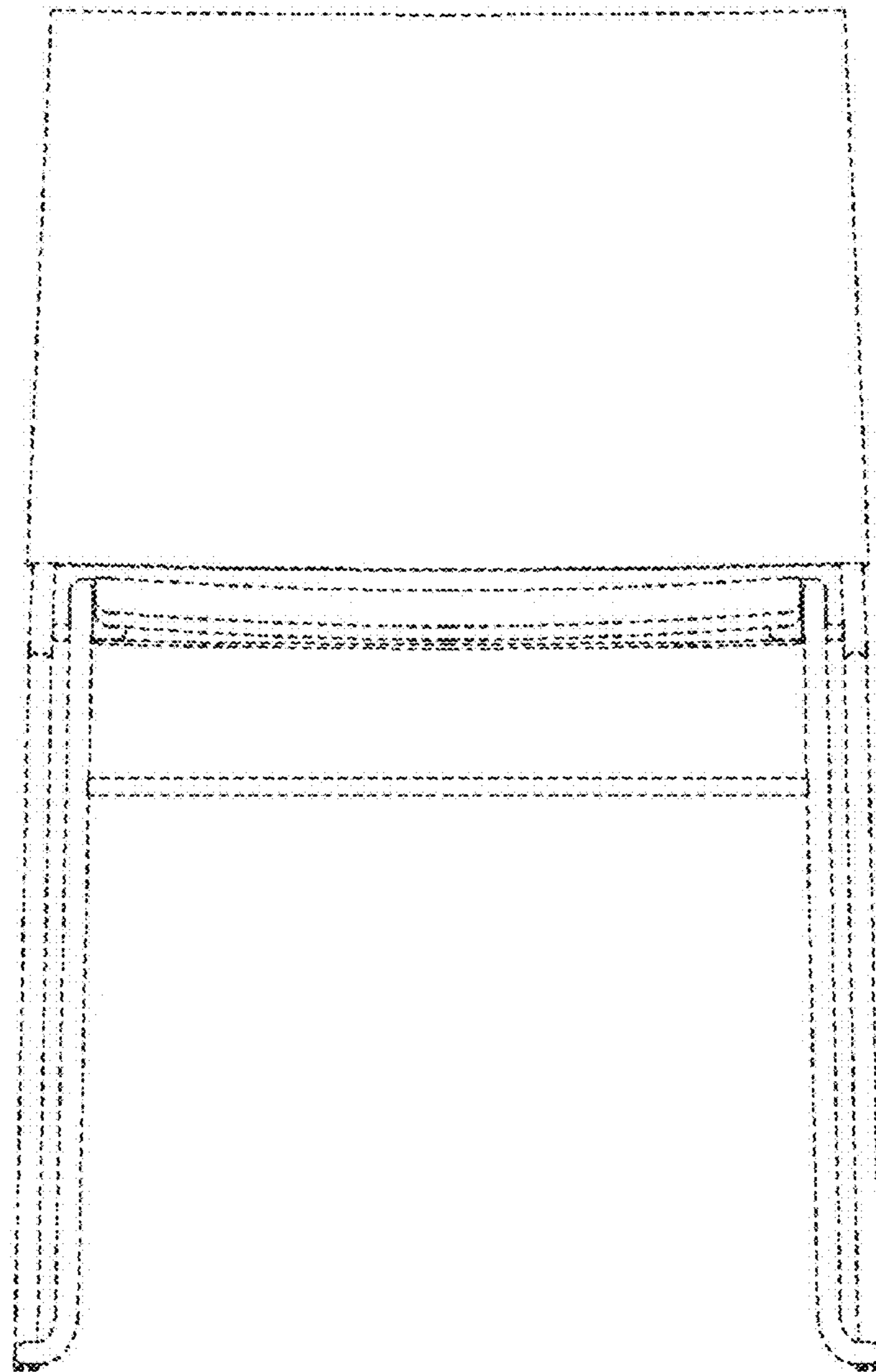
OTHER PUBLICATIONS

Notice of Allowance for U.S. Appl. No. 35/503,377, dated Oct. 26,  
2018, 9 pages.

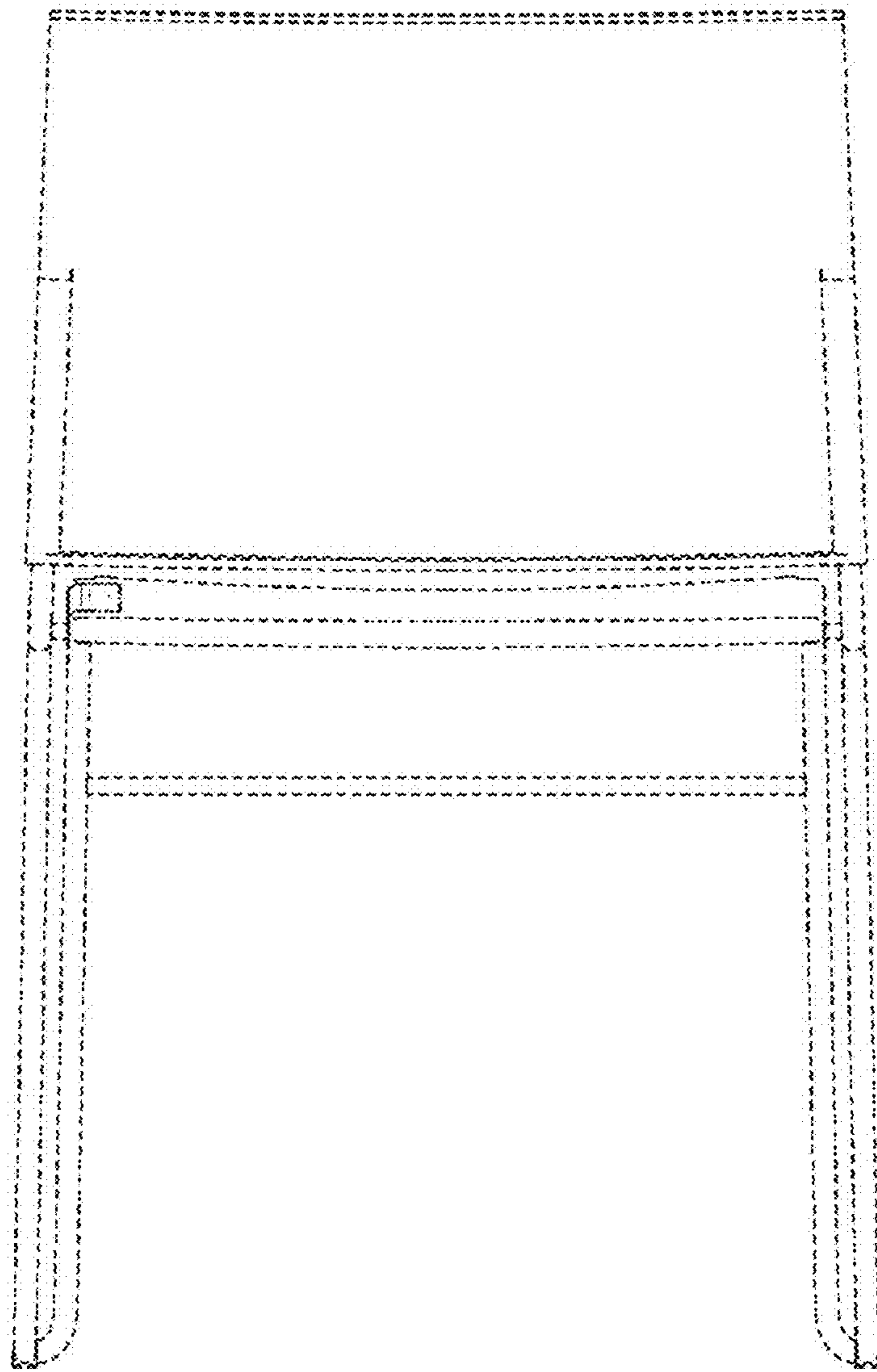
\* cited by examiner



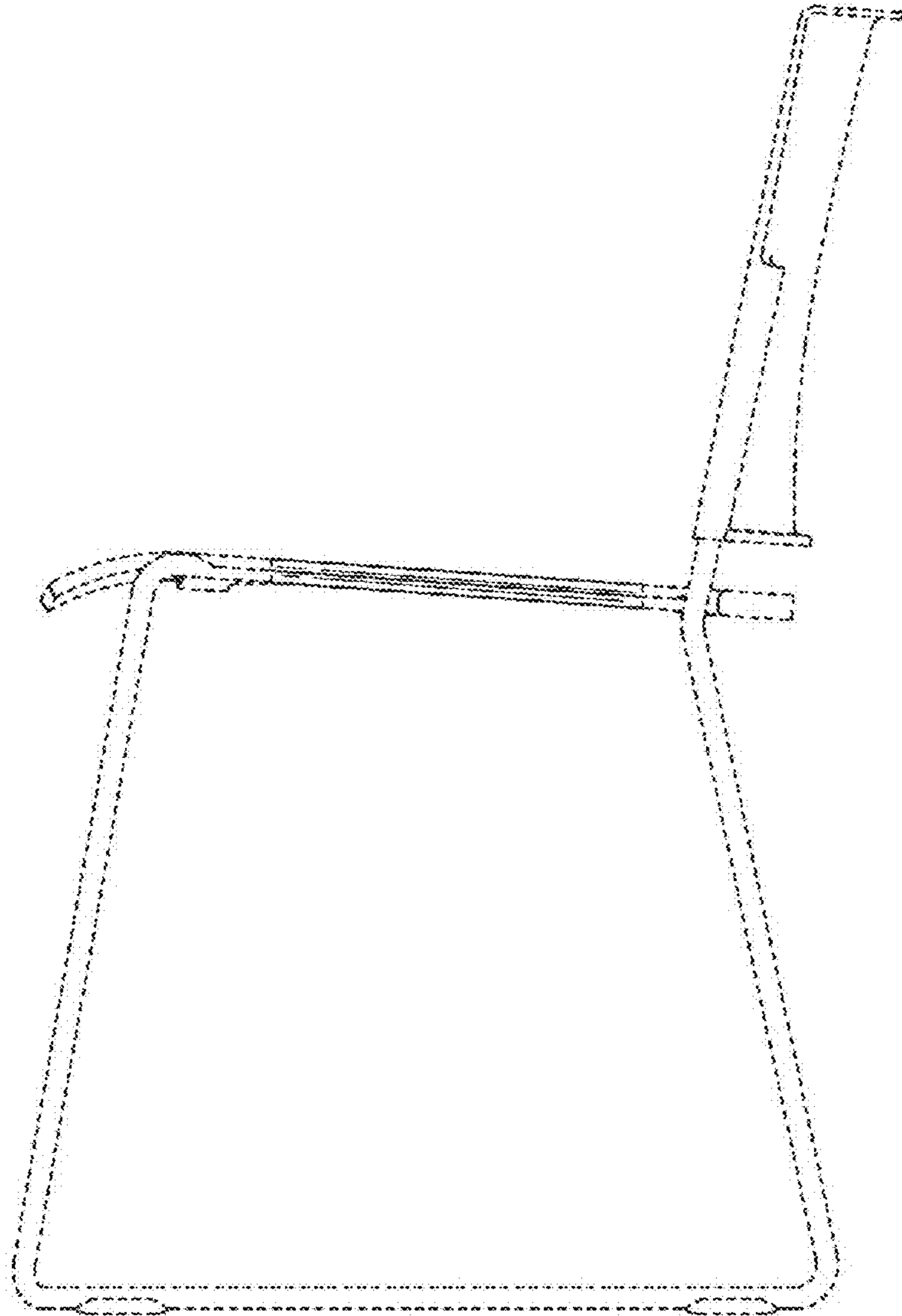
**FIG. 1**



**FIG. 2**

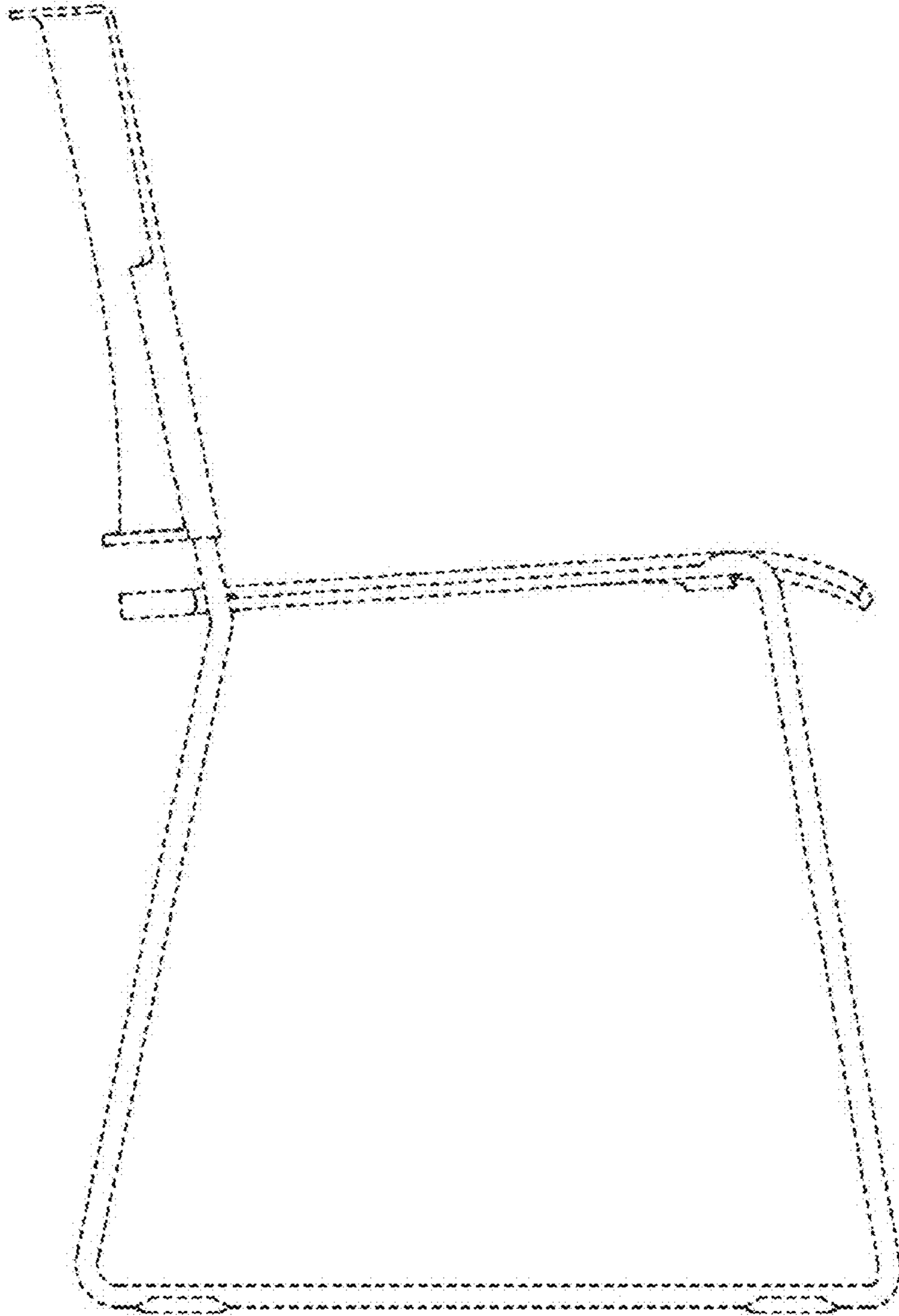


**FIG. 3**

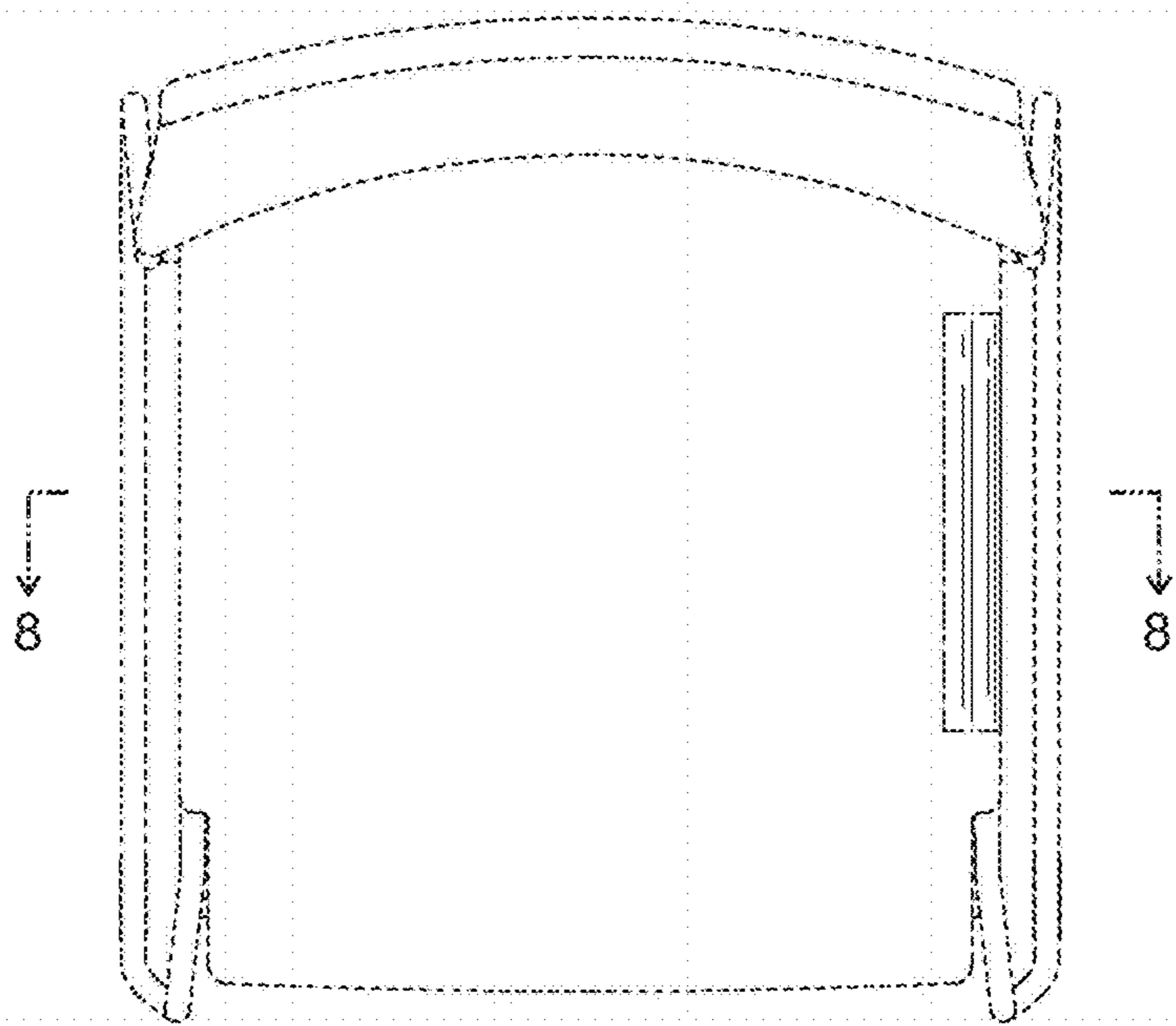


**FIG. 4**

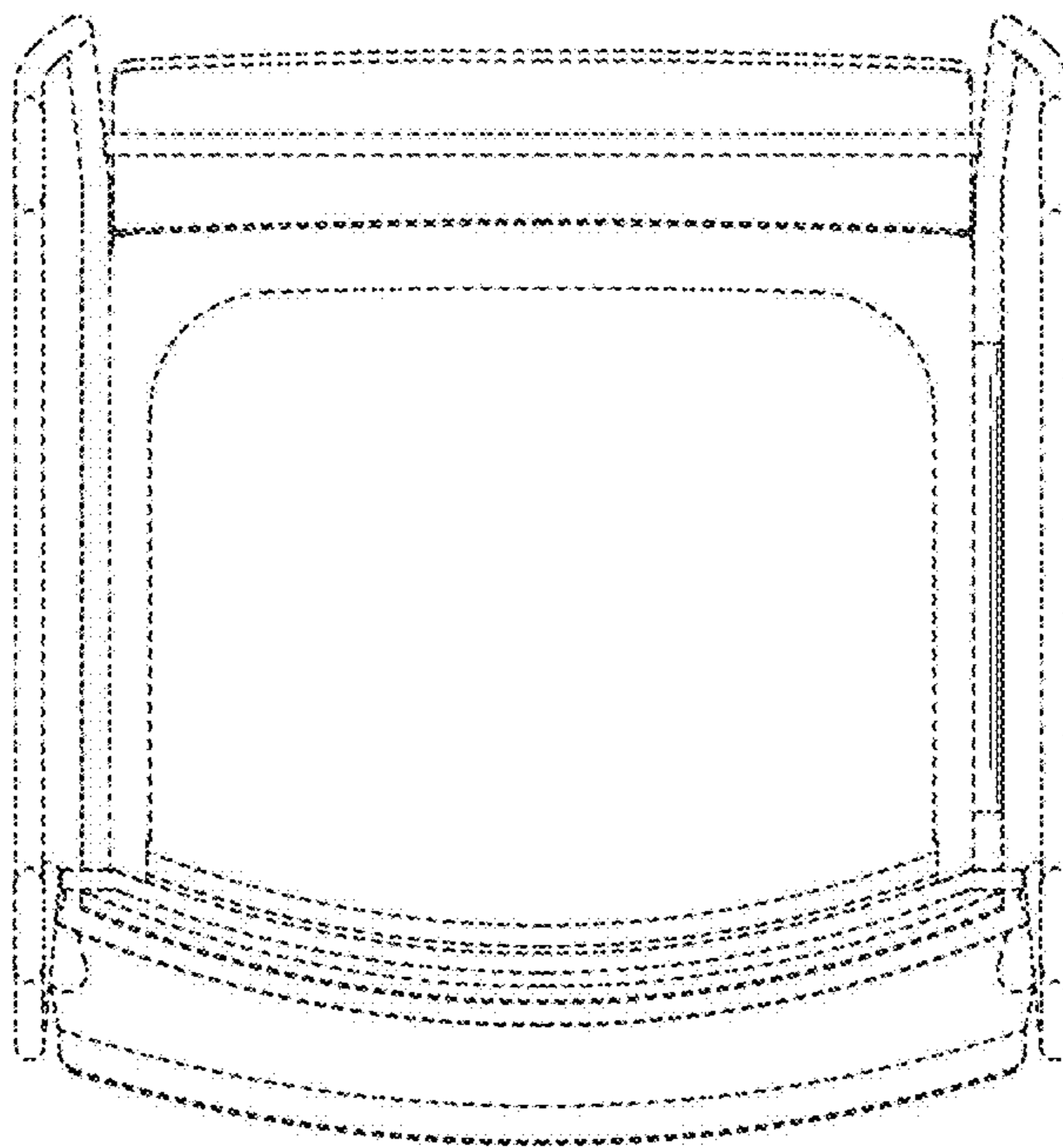




**FIG. 5**

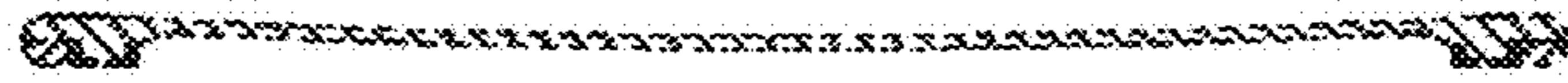


**FIG. 6**



**FIG. 7**





**FIG. 8**



**FIG. 9**