



US00D882999S

(12) **United States Design Patent** (10) **Patent No.:** **US D882,999 S**
Loew (45) **Date of Patent:** **** May 5, 2020**

- (54) **CHAIR**
- (71) Applicant: **Knoll, Inc.**, East Greenville, PA (US)
- (72) Inventor: **Glen Oliver Loew**, Hamburg (DE)
- (73) Assignee: **Knoll, Inc.**, East Greenville, PA (US)
- (**) Term: **15 Years**
- (21) Appl. No.: **29/646,536**
- (22) Filed: **May 4, 2018**
- (51) **LOC (12) Cl.** **06-01**
- (52) **U.S. Cl.**
 USPC **D6/716; D6/366**
- (58) **Field of Classification Search**
 USPC D6/334-336, 364, 365, 366, 367, 374,
 D6/379, 380, 716, 716.1, 716.2, 716.4
 CPC A47C 1/031; A47C 3/026; A47C 3/18;
 A47C 3/20; A47C 7/004; A47C 7/18;
 A47C 7/24; A47C 7/40; A47C 7/46;
 A47C 7/54
 See application file for complete search history.

- 6,679,553 B2 * 1/2004 Battey A47C 1/031
 297/300.2
- D514,833 S * 2/2006 Kinoshita D6/366
- D587,915 S * 3/2009 Igarashi D6/366
- D592,876 S * 5/2009 Smith D6/380
- D600,931 S * 9/2009 Pearson D6/366
- D648,968 S * 11/2011 Piretti D6/716
- D661,504 S * 6/2012 Saotome D6/366

* cited by examiner

Primary Examiner — Mimoso De

(74) *Attorney, Agent, or Firm* — Buchanan Ingersoll & Rooney PC

(57) **CLAIM**

The ornamental design for a chair, as shown and described.

DESCRIPTION

FIG. 1 is a perspective view of a chair showing my new design;

FIG. 2 is a front elevational view thereof;

FIG. 3 is a rear elevational view thereof;

FIG. 4 is a top plan view thereof;

FIG. 5 is a bottom plan view thereof;

FIG. 6 is a left side elevational view thereof;

FIG. 7 is a right side elevational view thereof;

FIG. 8 is a perspective view of an alternate embodiment showing my new design;

FIG. 9 is a front elevational view thereof;

FIG. 10 is a rear elevational view thereof;

FIG. 11 is a top plan view thereof;

FIG. 12 is a bottom plan view thereof;

FIG. 13 is a left side elevational view thereof; and,

FIG. 14 is a right side elevational view thereof.

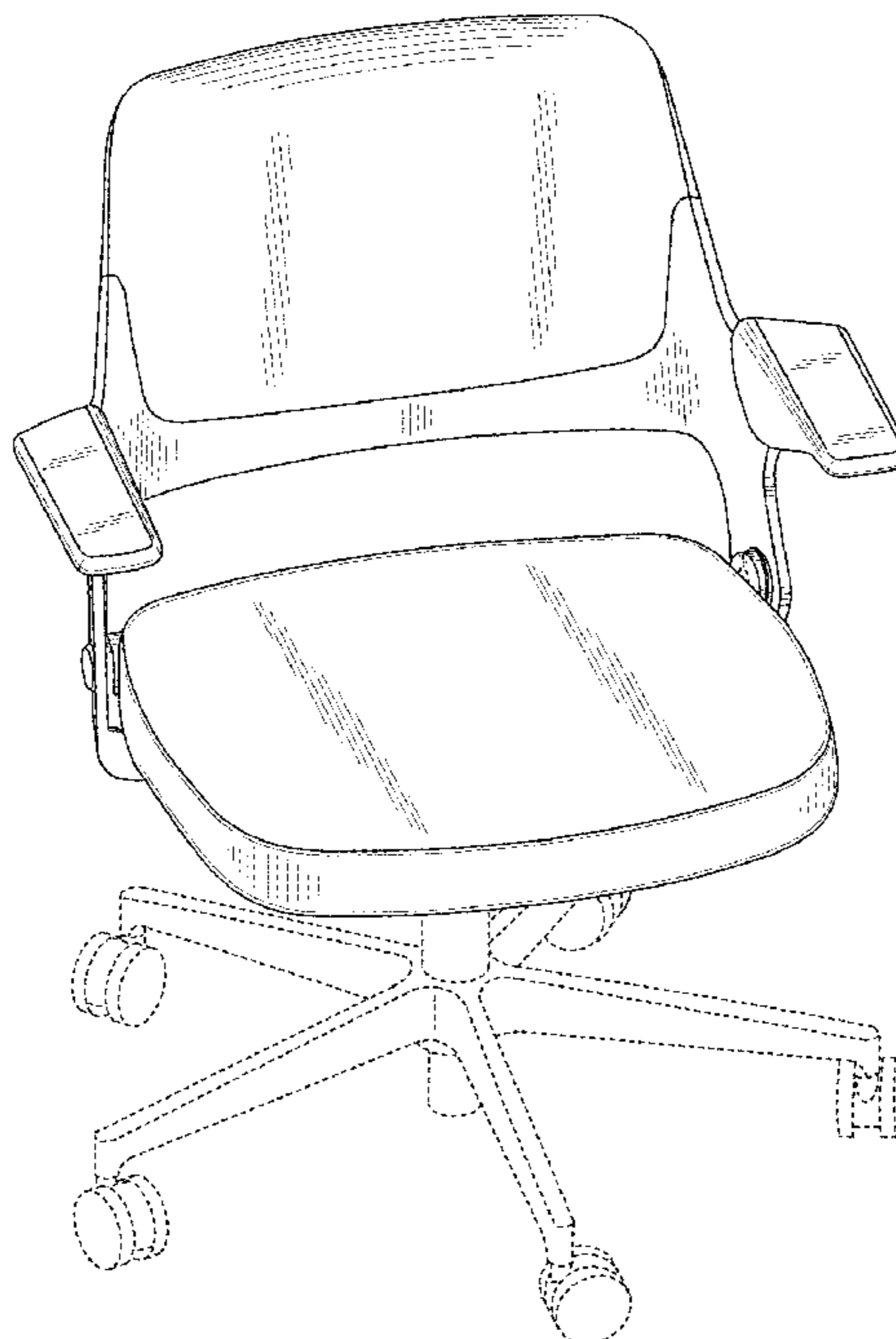
The broken lines shown in the drawing Figures illustrate portions of the chair that form no part of the claimed design.

1 Claim, 12 Drawing Sheets

(56) **References Cited**

U.S. PATENT DOCUMENTS

- D189,294 S * 11/1960 Petitt D6/366
- 3,907,363 A * 9/1975 Baker A47C 3/026
 297/450.1
- D240,375 S * 7/1976 Buhk D6/366
- D249,405 S * 9/1978 Ambasz D6/366
- D249,406 S * 9/1978 Ambasz D6/366
- D306,939 S * 4/1990 Fink D6/366
- D411,928 S * 7/1999 Ritch D6/366
- D456,627 S * 5/2002 Pearce D6/366
- D457,739 S * 5/2002 Pearce D6/366



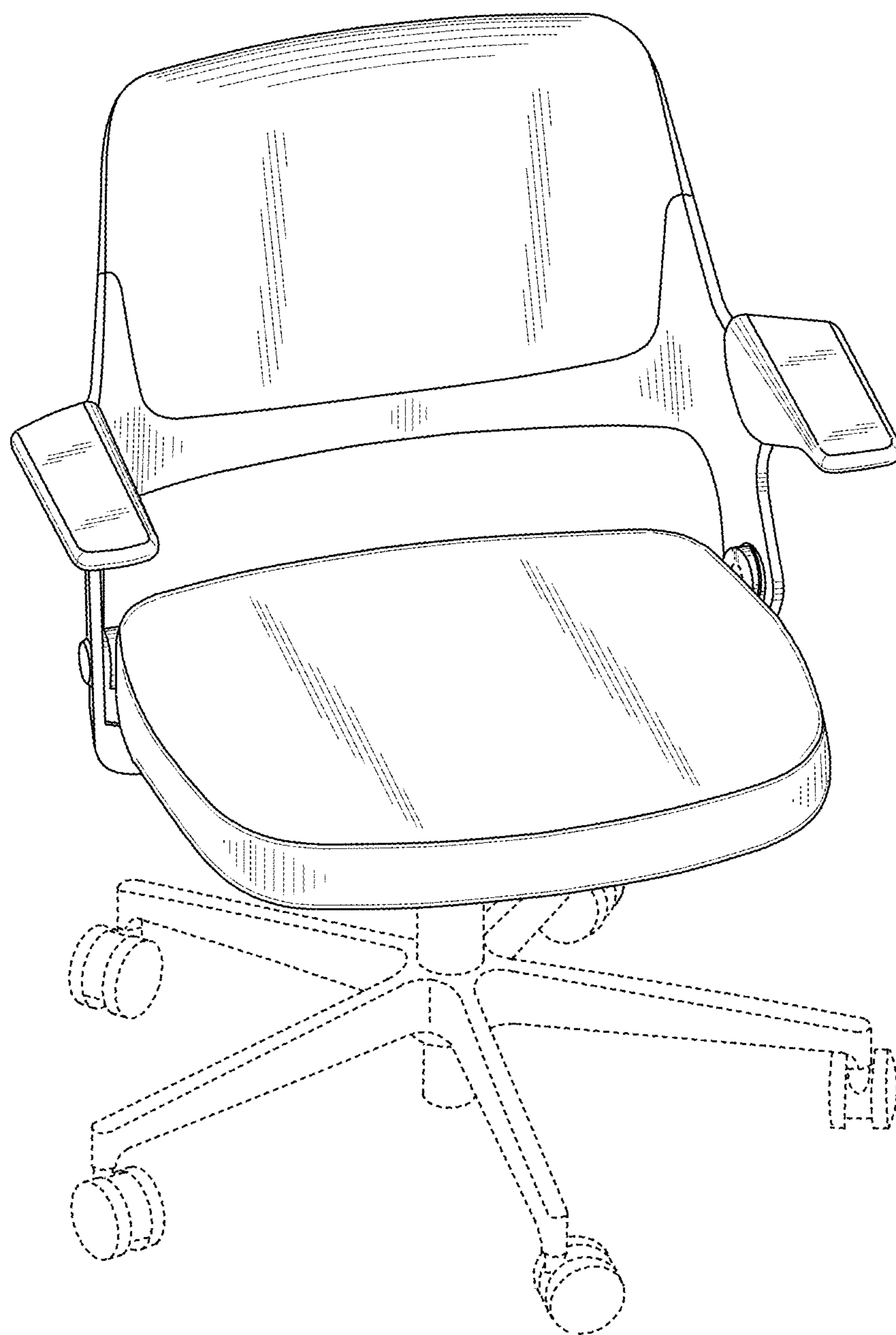


FIG. 1

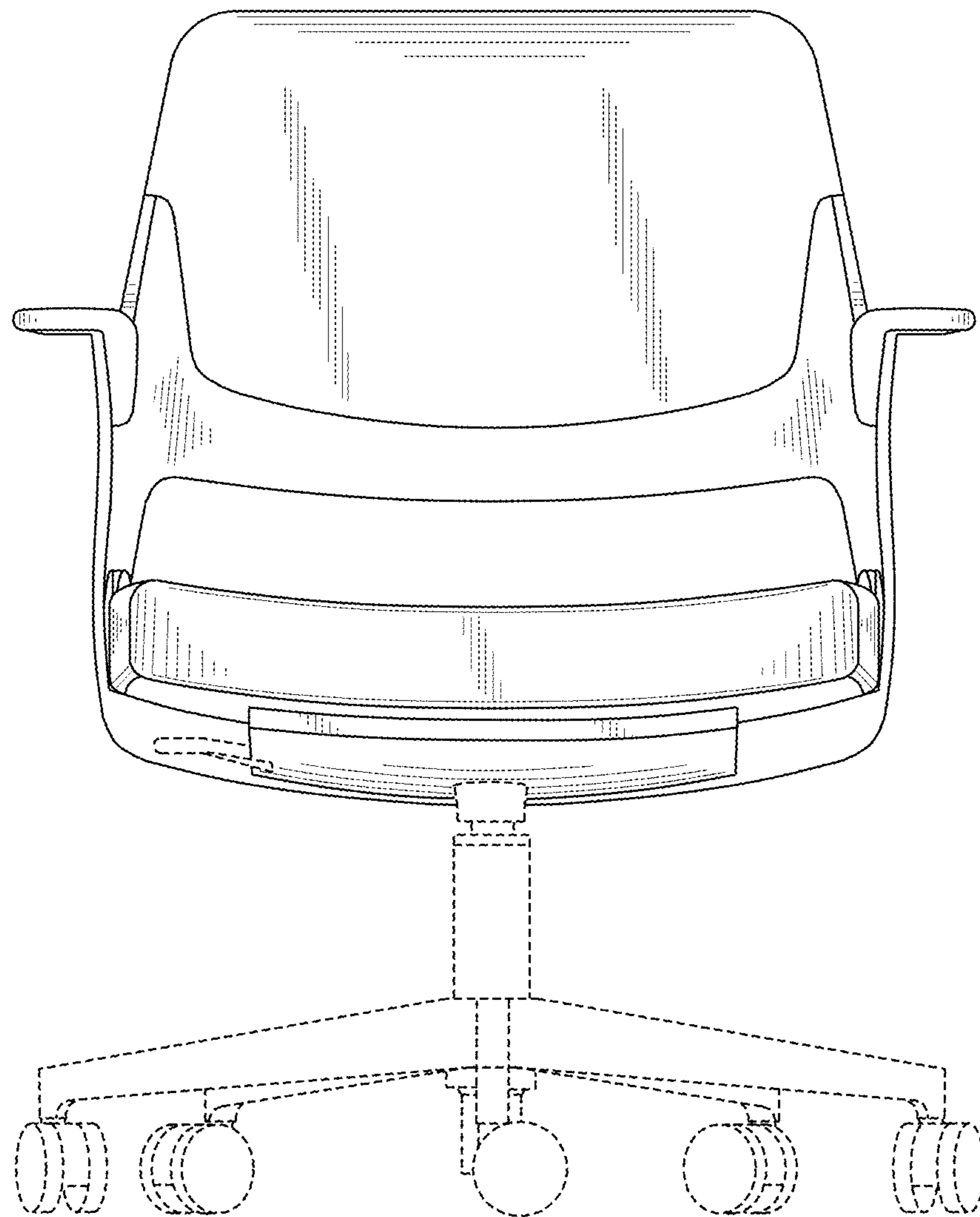


FIG. 2

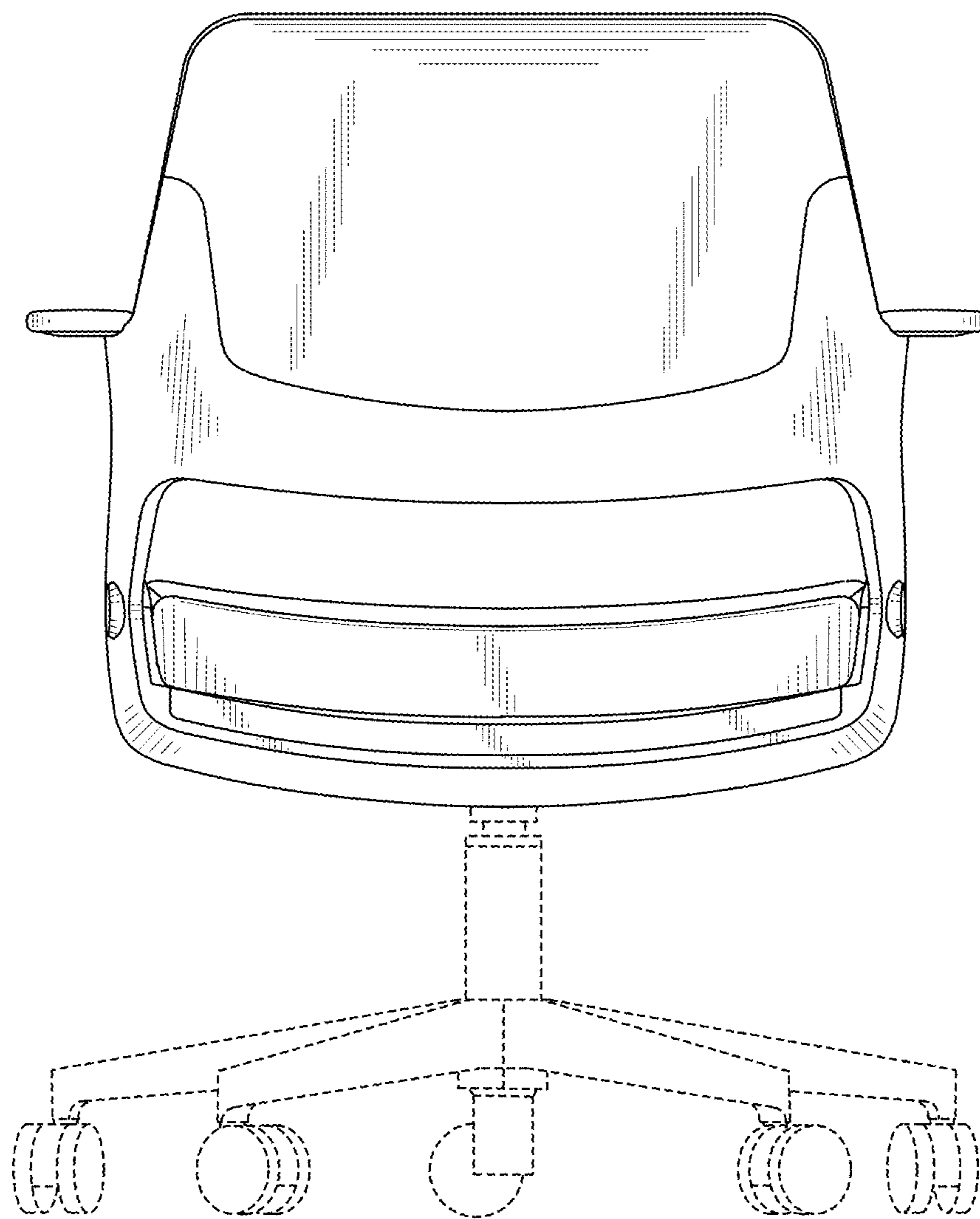


FIG. 3

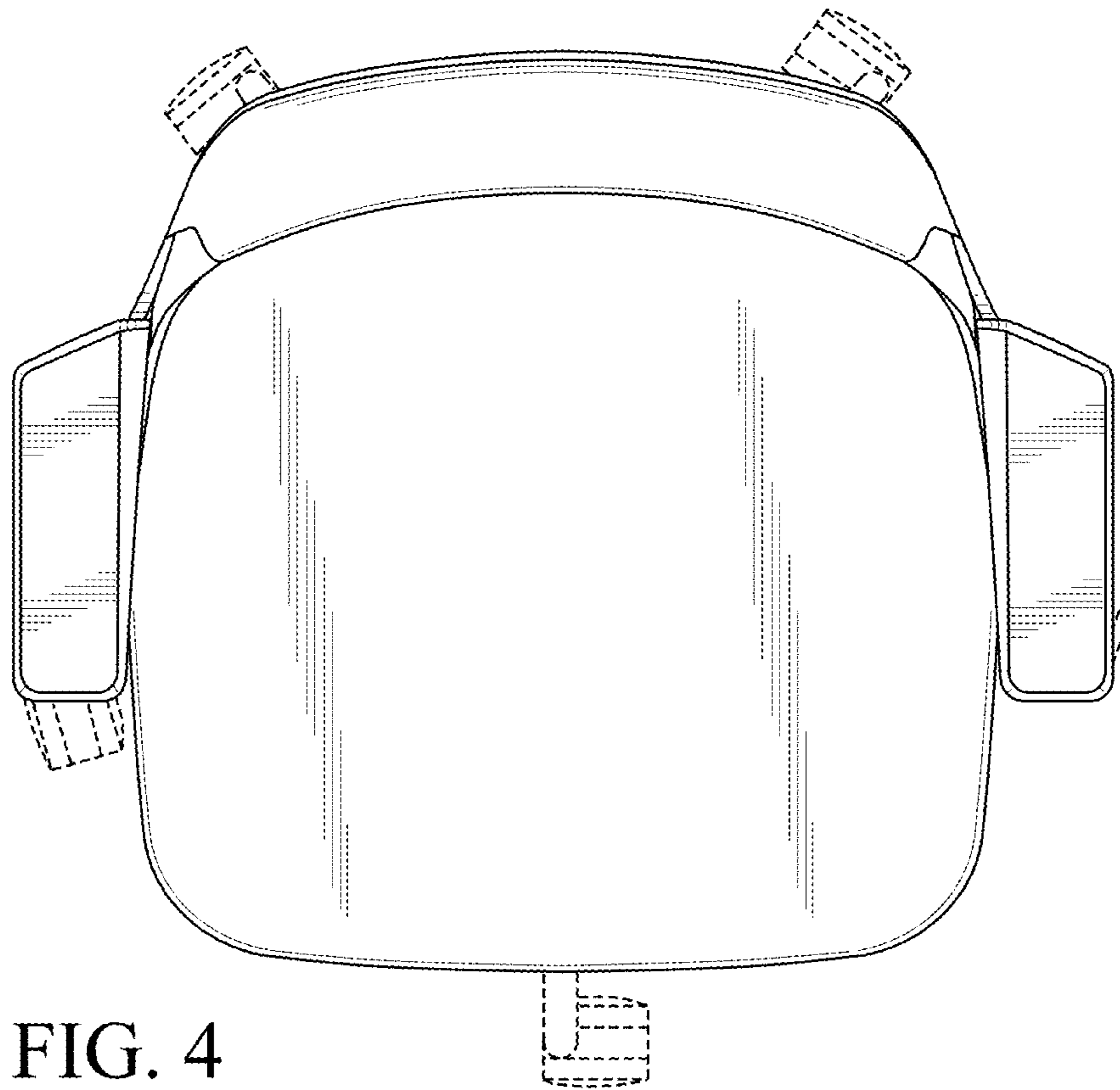


FIG. 4

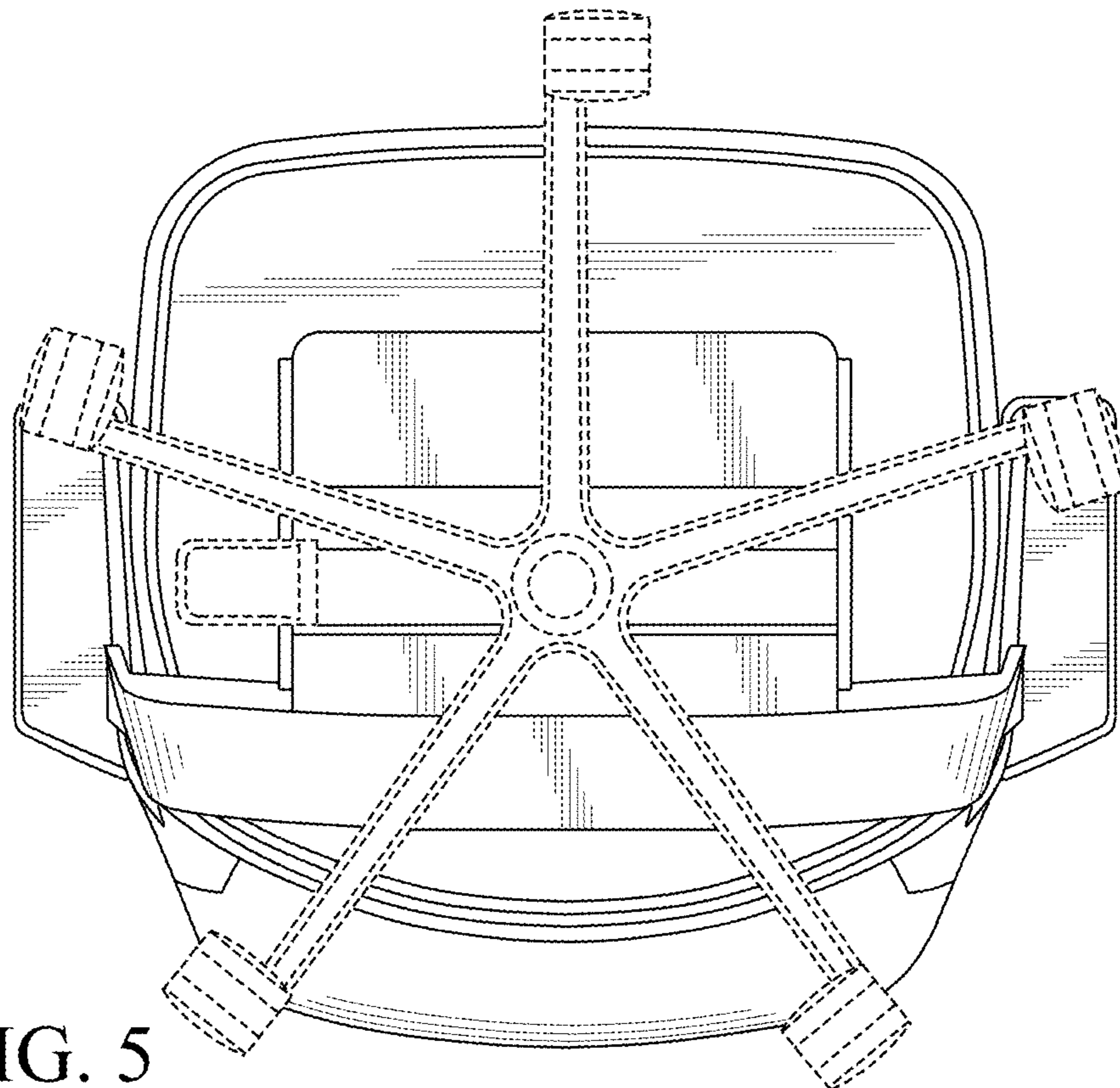


FIG. 5

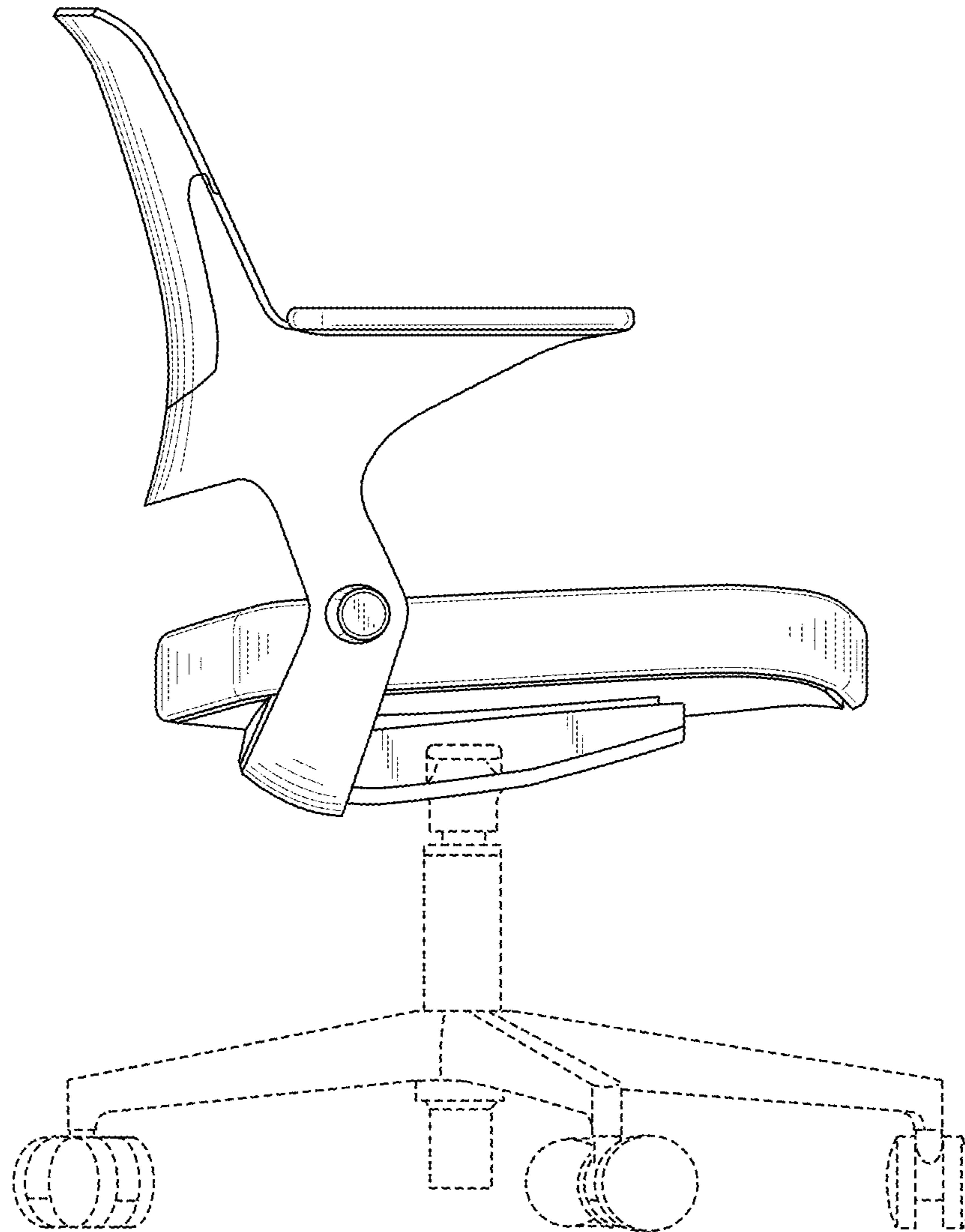


FIG. 6

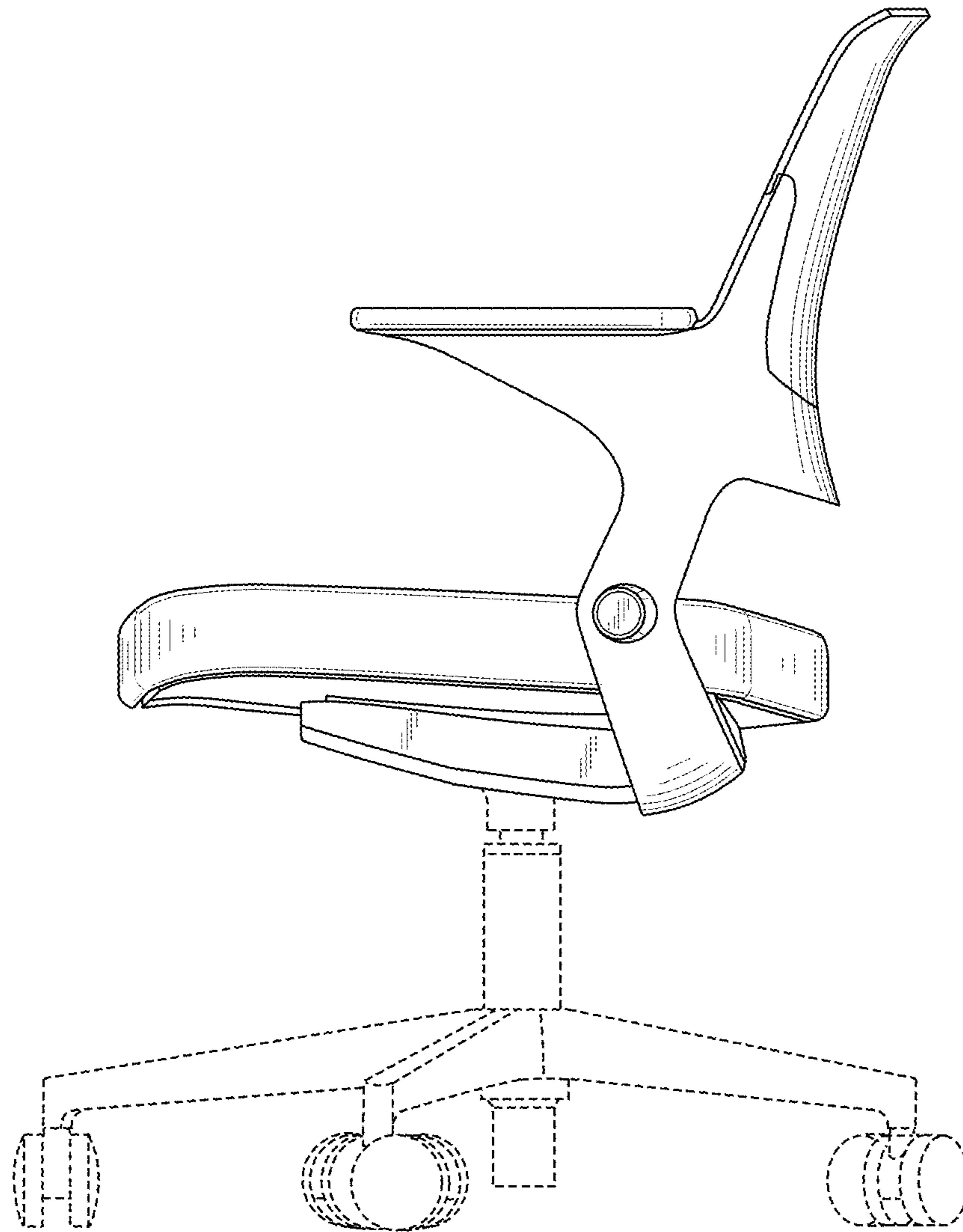


FIG. 7

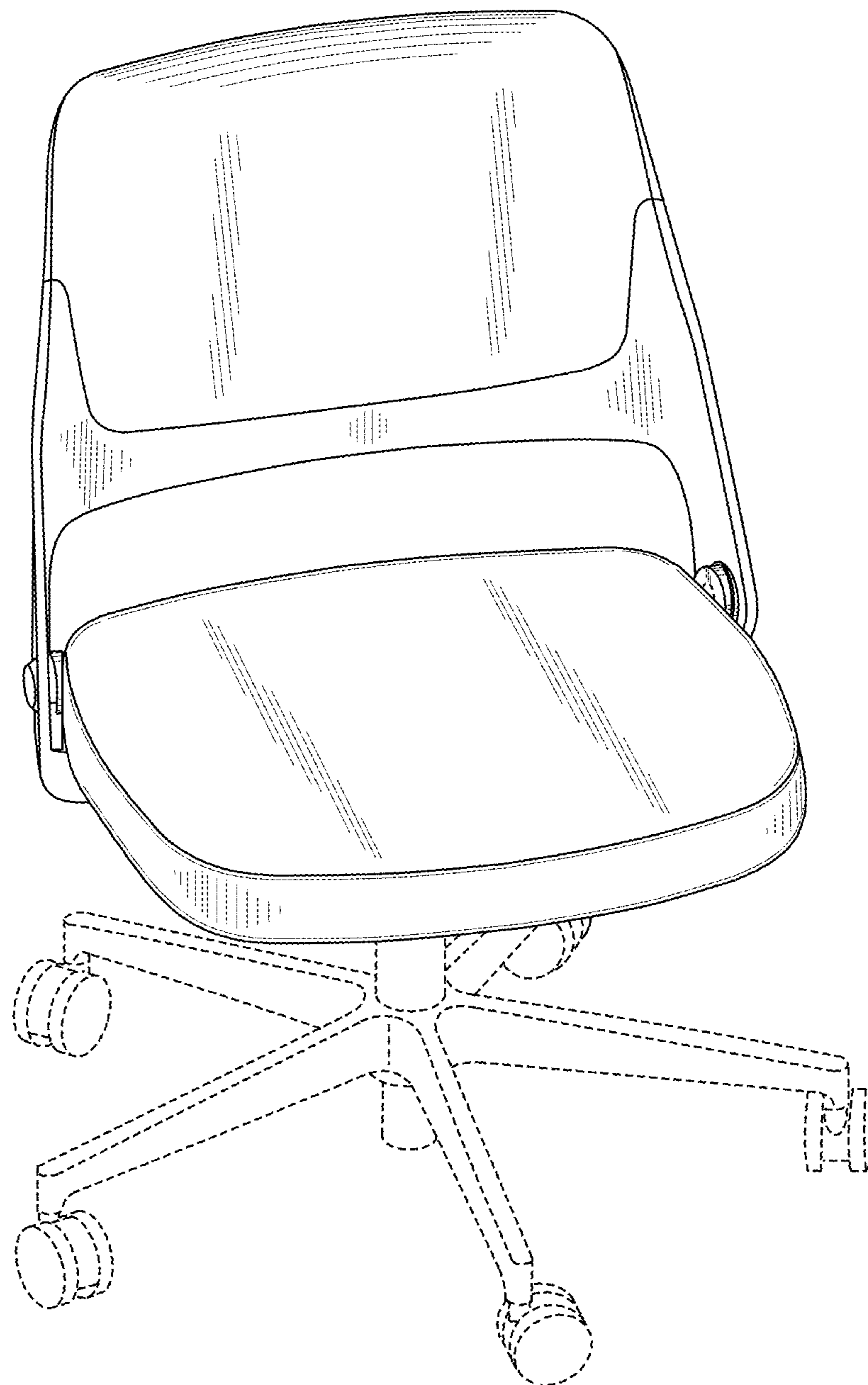


FIG. 8

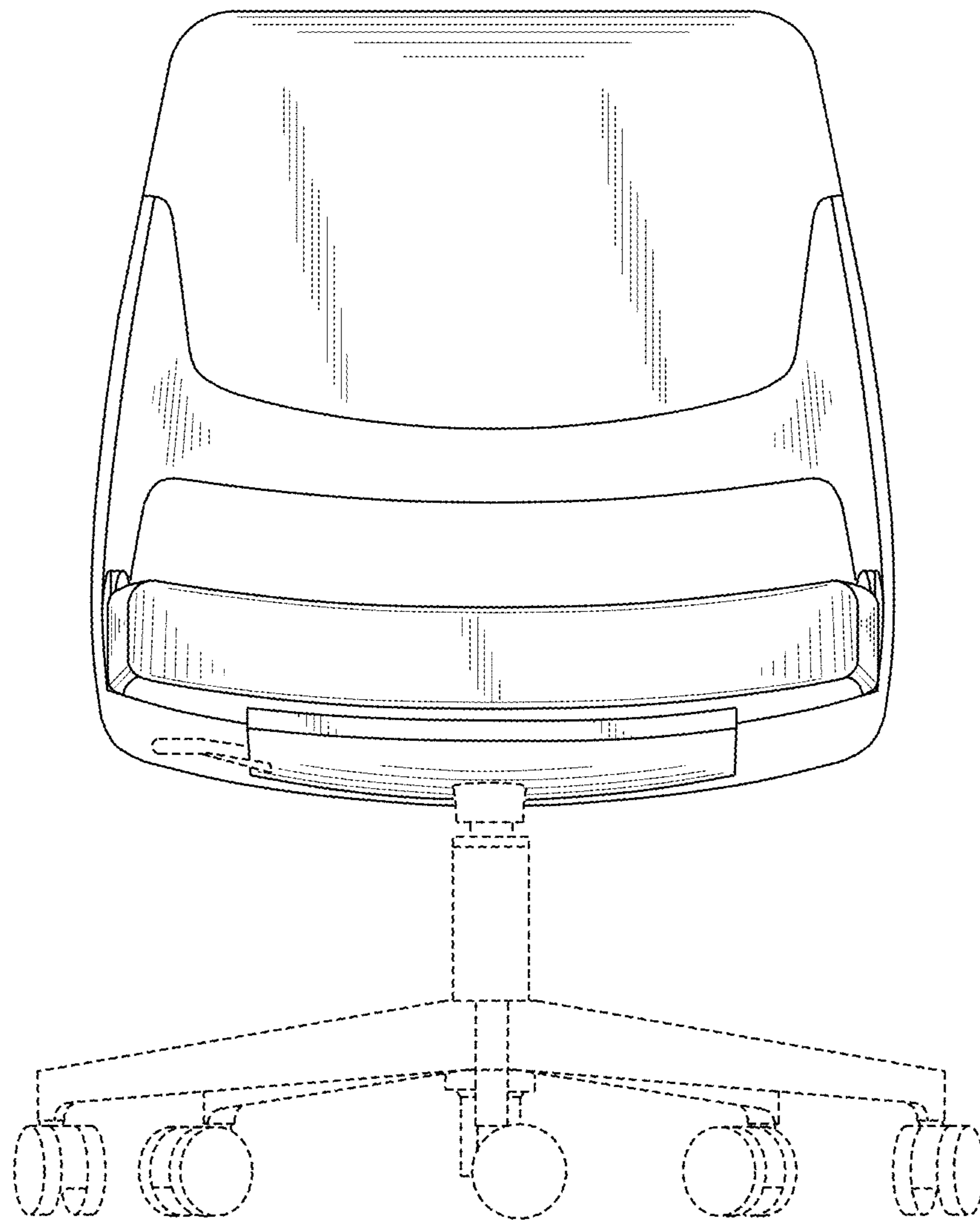


FIG. 9

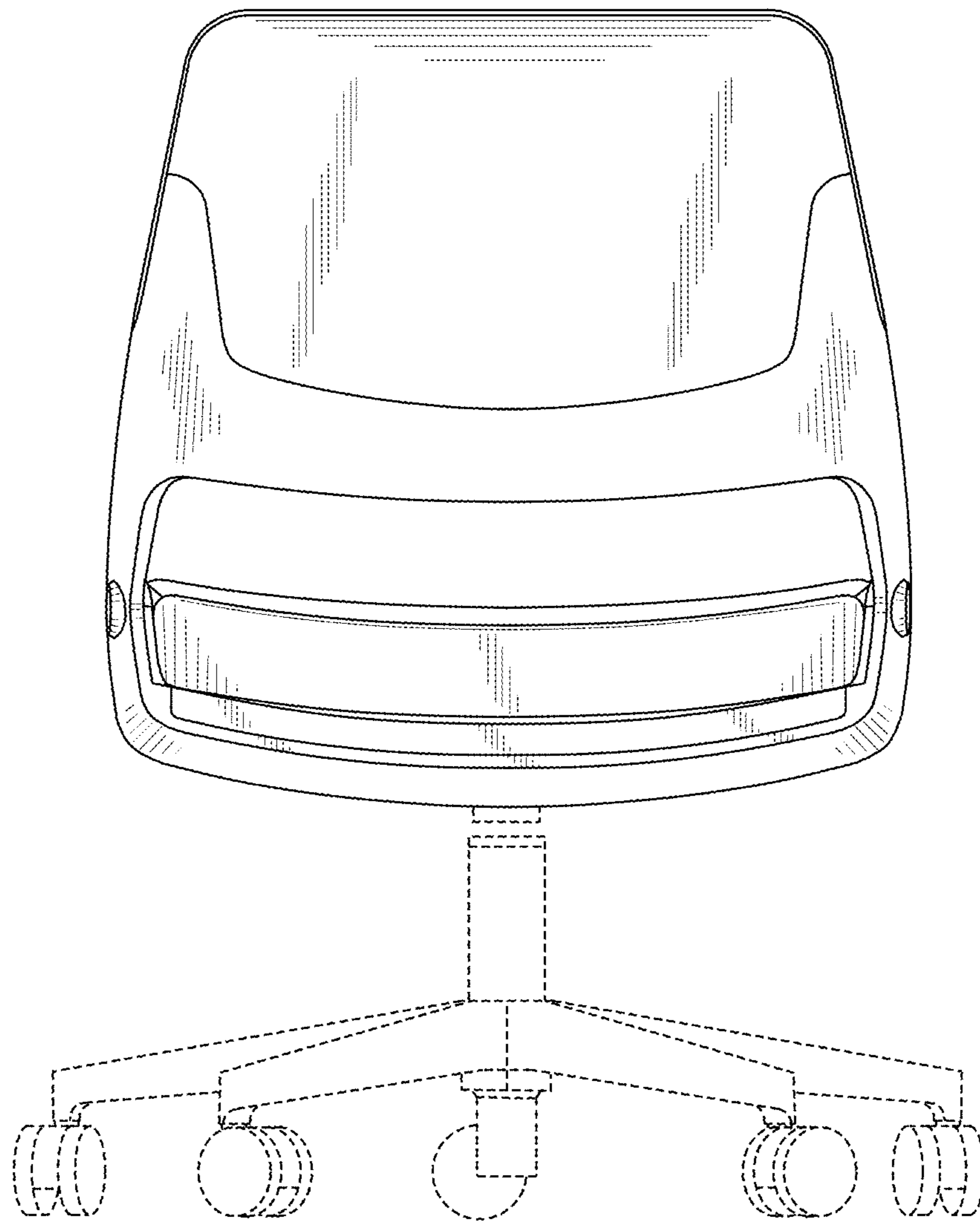


FIG. 10

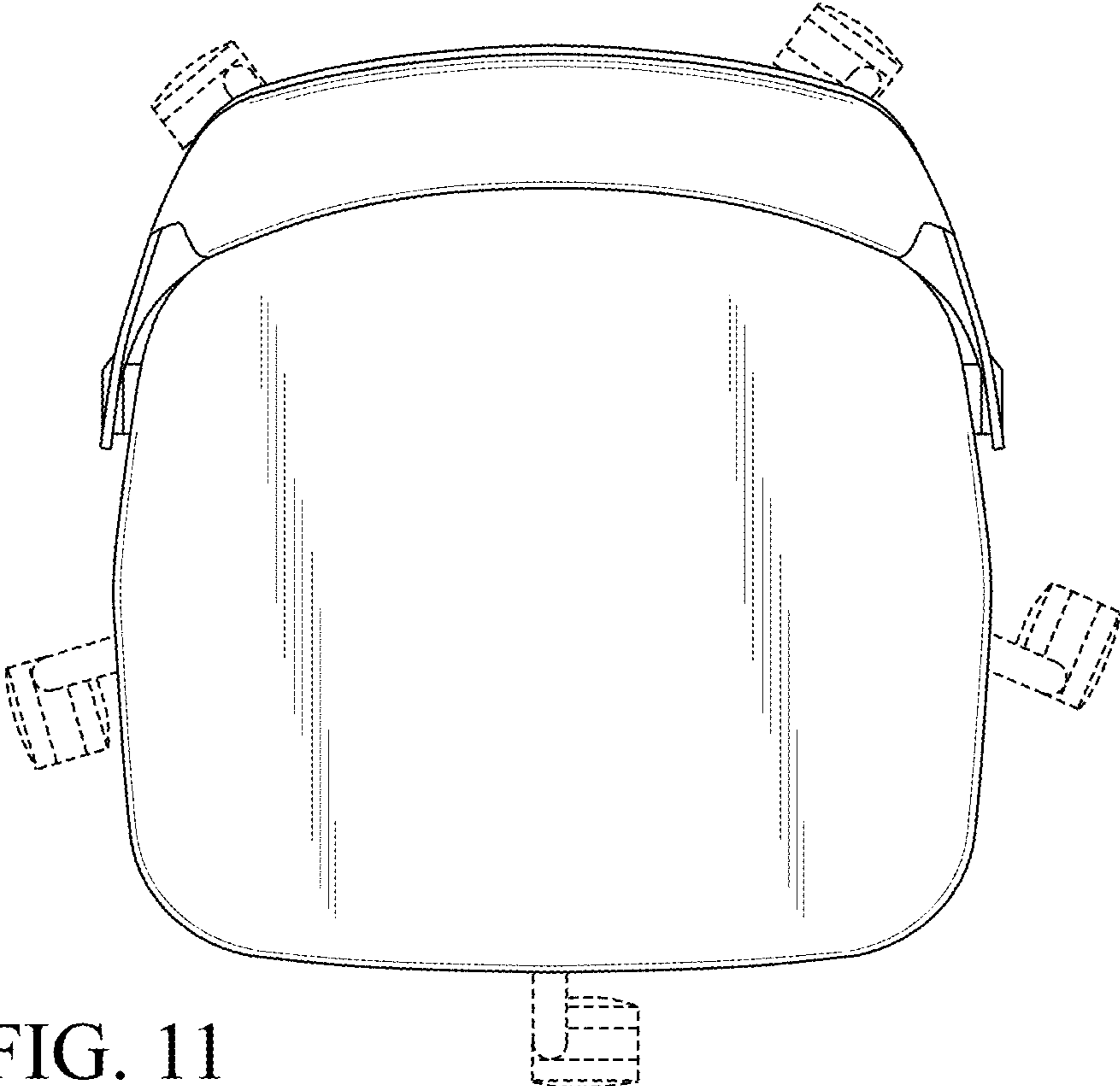


FIG. 11

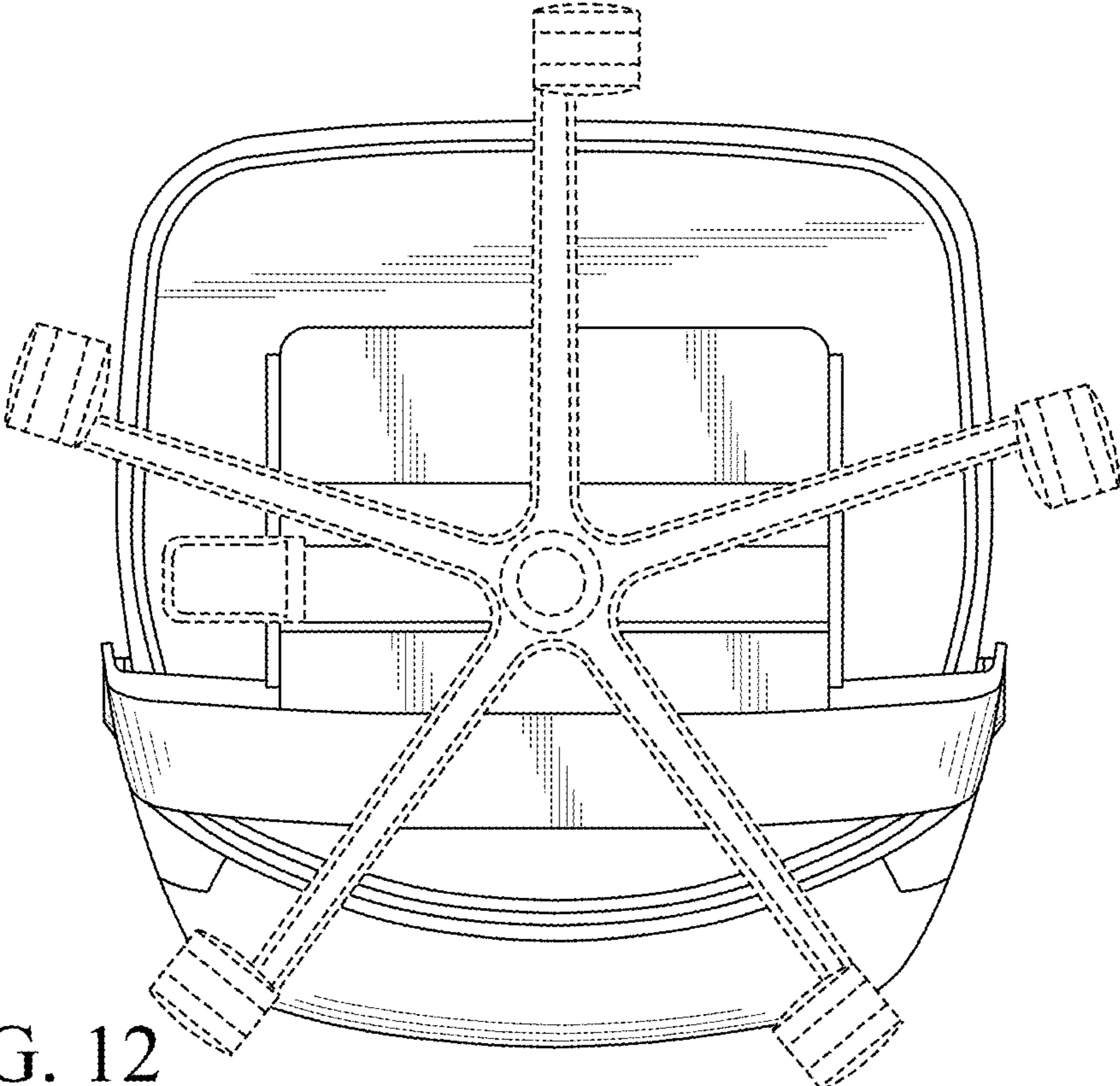


FIG. 12

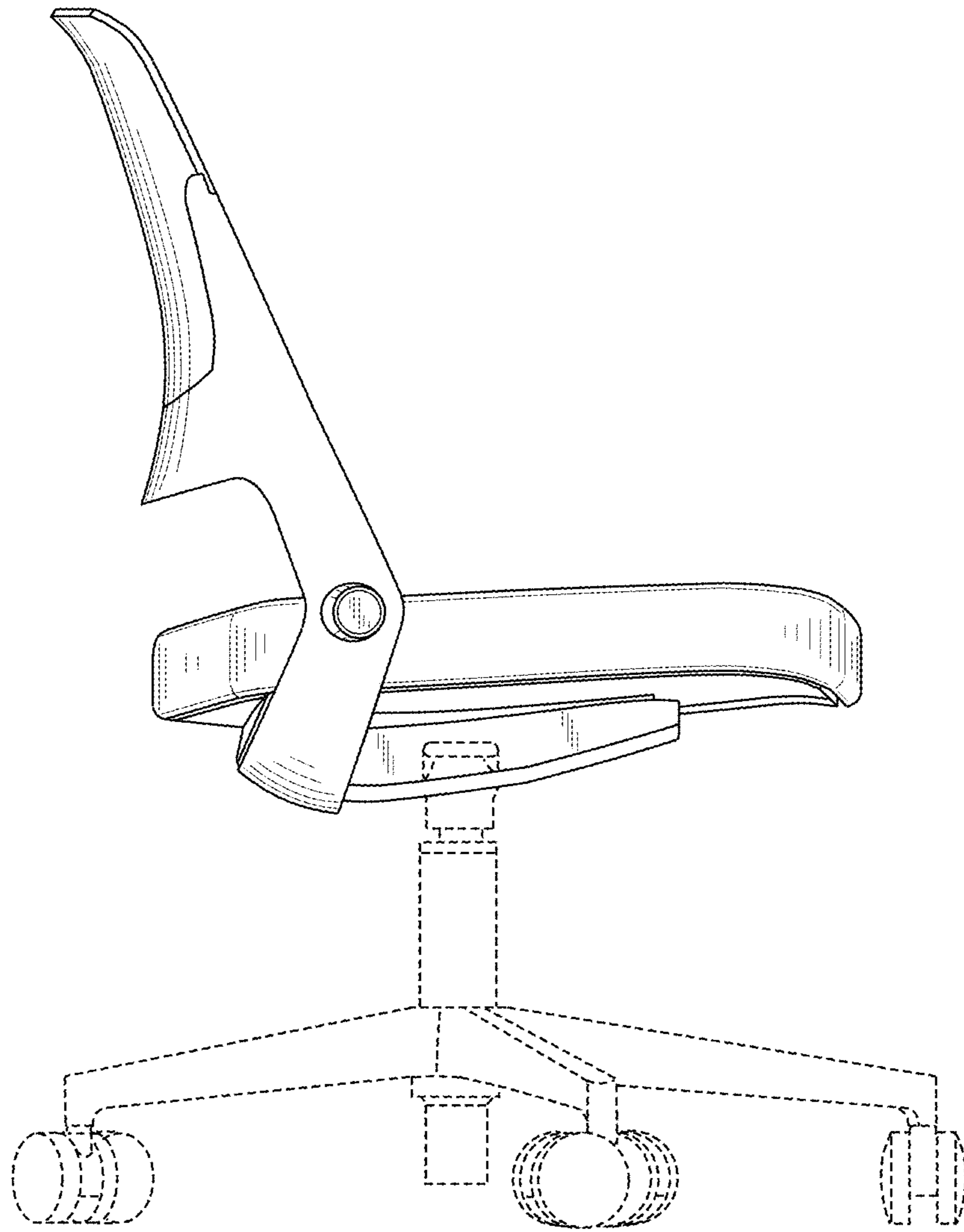


FIG. 13

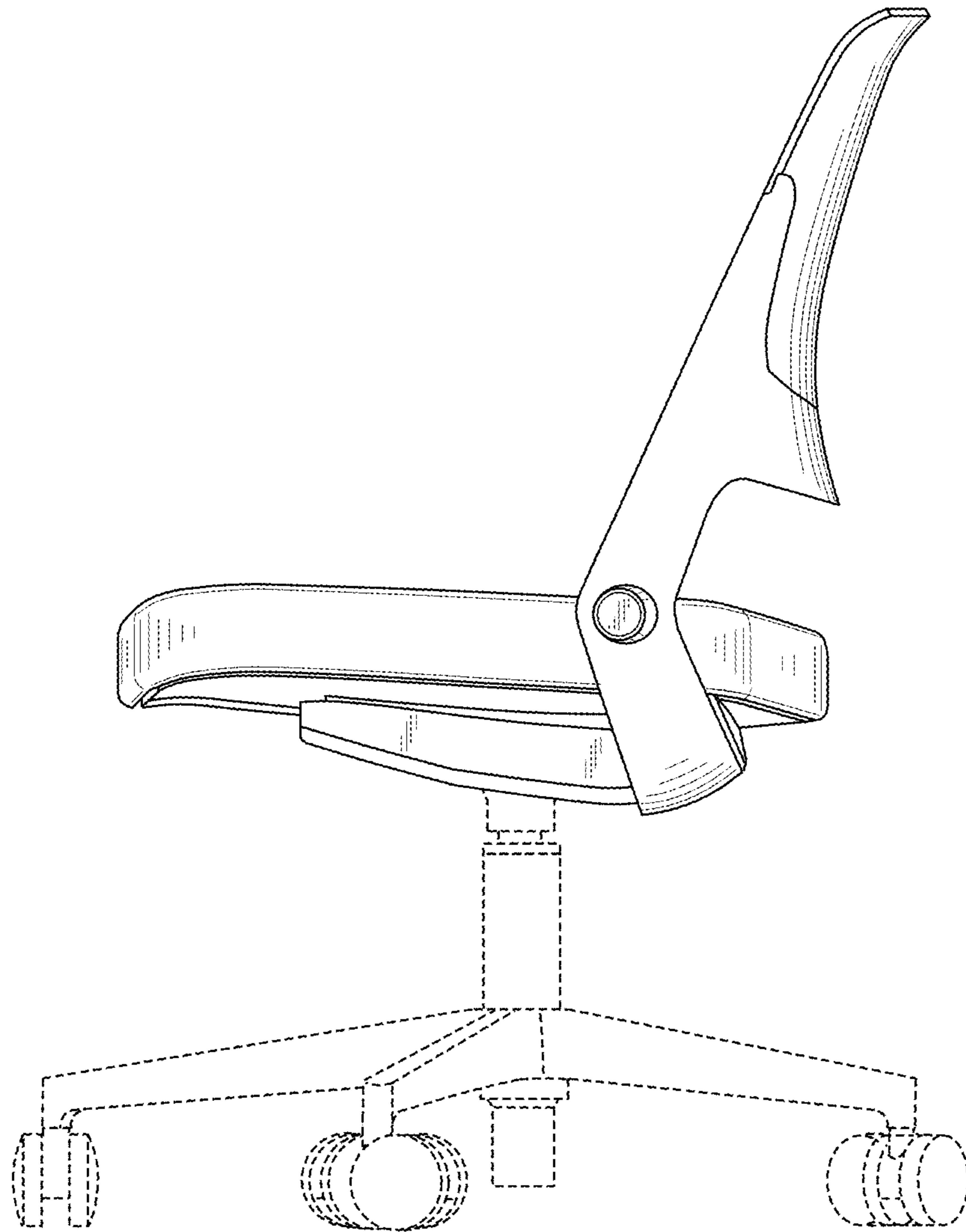


FIG. 14