

US00D882997S

(12) **United States Design Patent** (10) **Patent No.:** **US D882,997 S**
Powell et al. (45) **Date of Patent:** **** May 5, 2020**

(54) **LECTERN STAND**
(71) Applicant: **Assa Group, Inc.**, Lowell, MI (US)
(72) Inventors: **David J. Powell**, Lowell, MI (US);
Ryan D. Sullivan, Grand Rapids, MI (US)
(**) Term: **15 Years**
(21) Appl. No.: **29/650,987**
(22) Filed: **Jun. 12, 2018**
(51) **LOC (12) Cl.** **06-03**
(52) **U.S. Cl.**
USPC **D6/700**
(58) **Field of Classification Search**
USPC D6/641, 656, 656.1, 656.11, 656.15,
D6/656.17, 685, 686, 697, 691.1, 691.2,
D6/695, 695.1-695.8
CPC .. A47B 7/00; A47B 9/00; A47B 13/00; A47B
13/02; A47B 13/023; A47B 13/04; A47B
13/06; A47B 13/08; A47B 17/00; A47B
19/00; A47B 21/00; A47B 2200/0001;
A47B 2200/0011; A47B 2200/002
See application file for complete search history.

(56) **References Cited**
U.S. PATENT DOCUMENTS
1,595,575 A * 8/1926 Schlappe A47B 1/04
108/78
D132,166 S * 4/1942 Cloutier A47B 83/04
D6/700
3,917,368 A * 11/1975 Gusdorf A47B 3/12
312/351.2

D286,831 S * 11/1986 Matyear A47B 1/04
D6/700
5,224,429 A * 7/1993 Borgman A47B 9/00
108/147
D378,635 S * 4/1997 Studer D6/656.15
D450,949 S * 11/2001 Grabowski D6/650
D555,400 S * 11/2007 Kowalik D6/656
D638,637 S * 5/2011 Foley D6/656.15
D644,046 S * 8/2011 Cronk D6/656.17
D693,152 S * 11/2013 Yamamoto D6/656.15
D759,994 S * 6/2016 Lin D6/656.13
2017/0290423 A1* 10/2017 Heath A47B 83/04

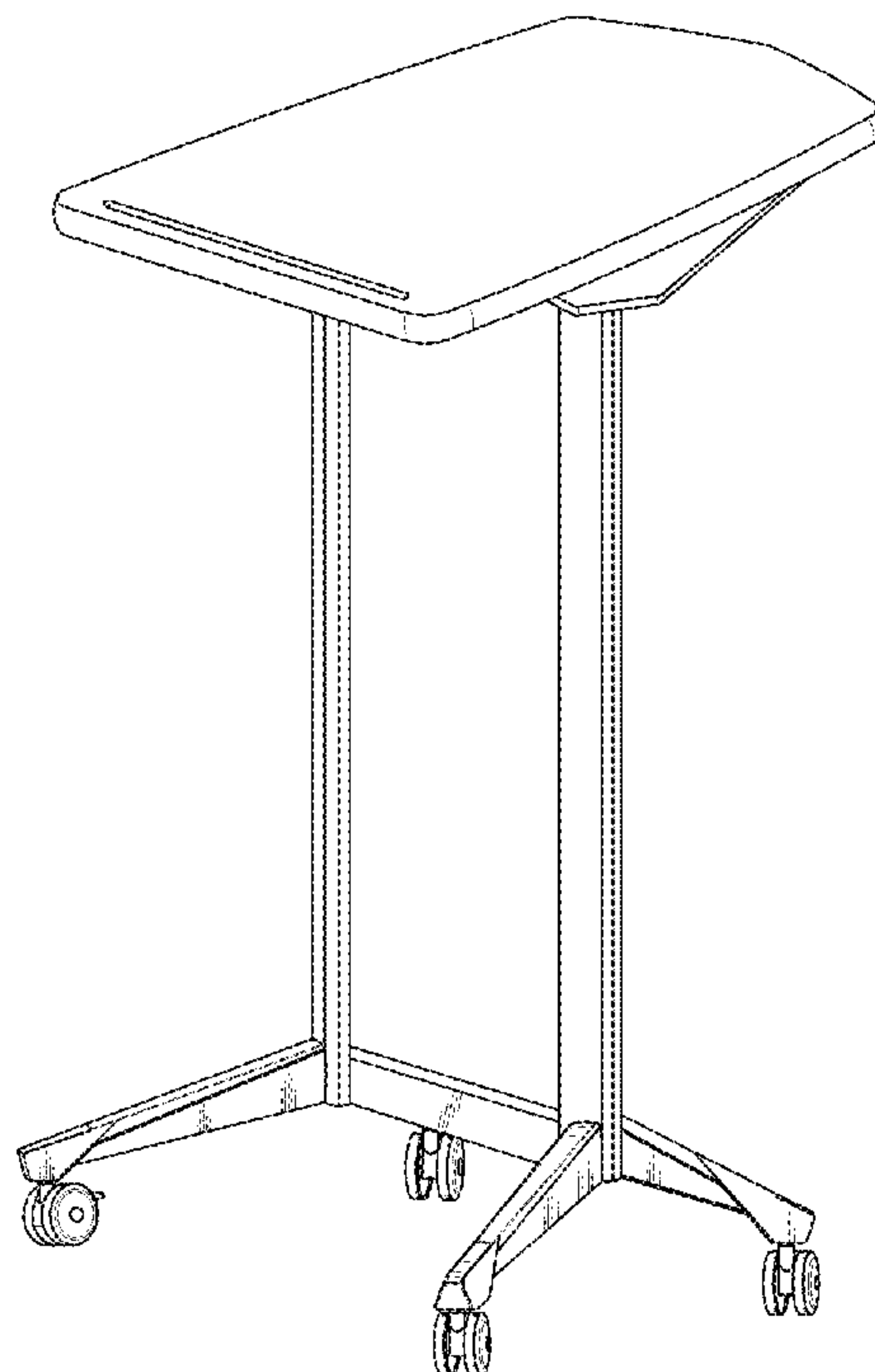
* cited by examiner

Primary Examiner — Mary Ann Calabrese
(74) *Attorney, Agent, or Firm* — Oppenhuizen Law PLC;
David L. Oppenhuizen

(57) **CLAIM**
The ornamental design for a lectern stand, as shown and described.

DESCRIPTION
FIG. 1 is a front perspective view of a lectern stand showing the new design;
FIG. 2 is a rear perspective view;
FIG. 3 is a front view;
FIG. 4 is a rear view;
FIG. 5 is a left view;
FIG. 6 is a right view;
FIG. 7 is a top view;
FIG. 8 is an enlarged perspective view showing the legs hereof; and,
FIG. 9 is a second enlarged perspective view showing the legs hereof.

1 Claim, 9 Drawing Sheets



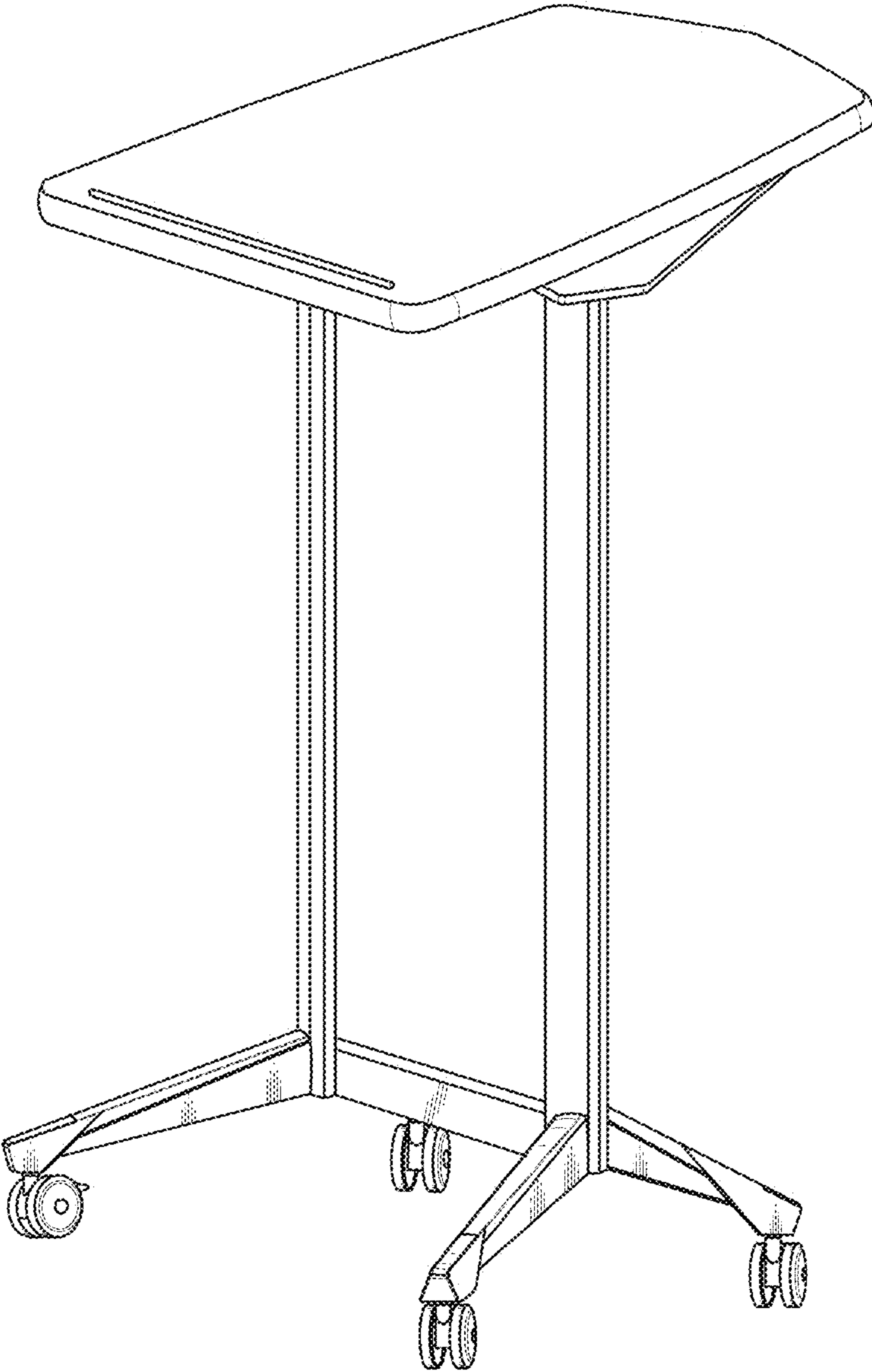


FIG. 1

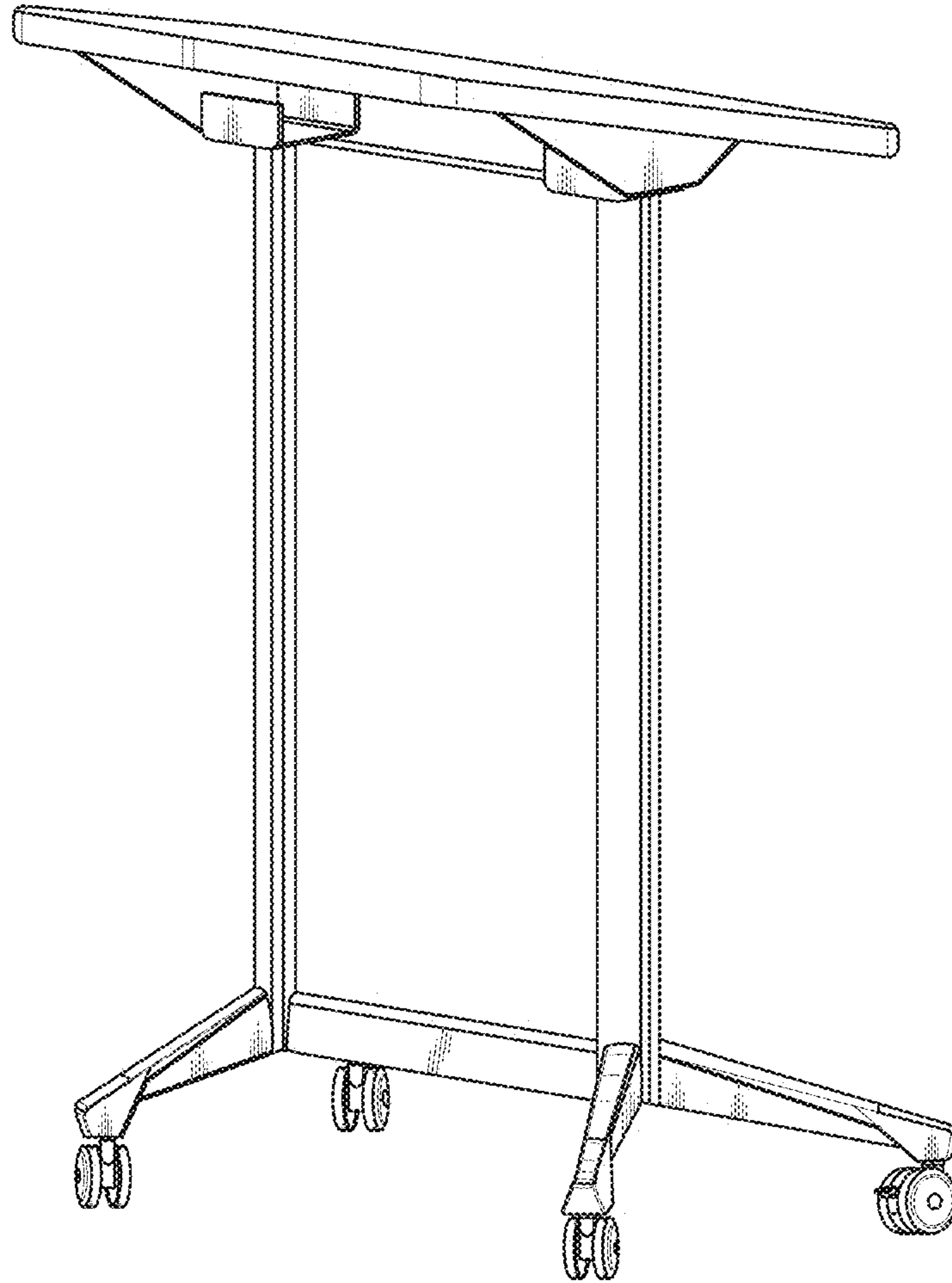


FIG. 2

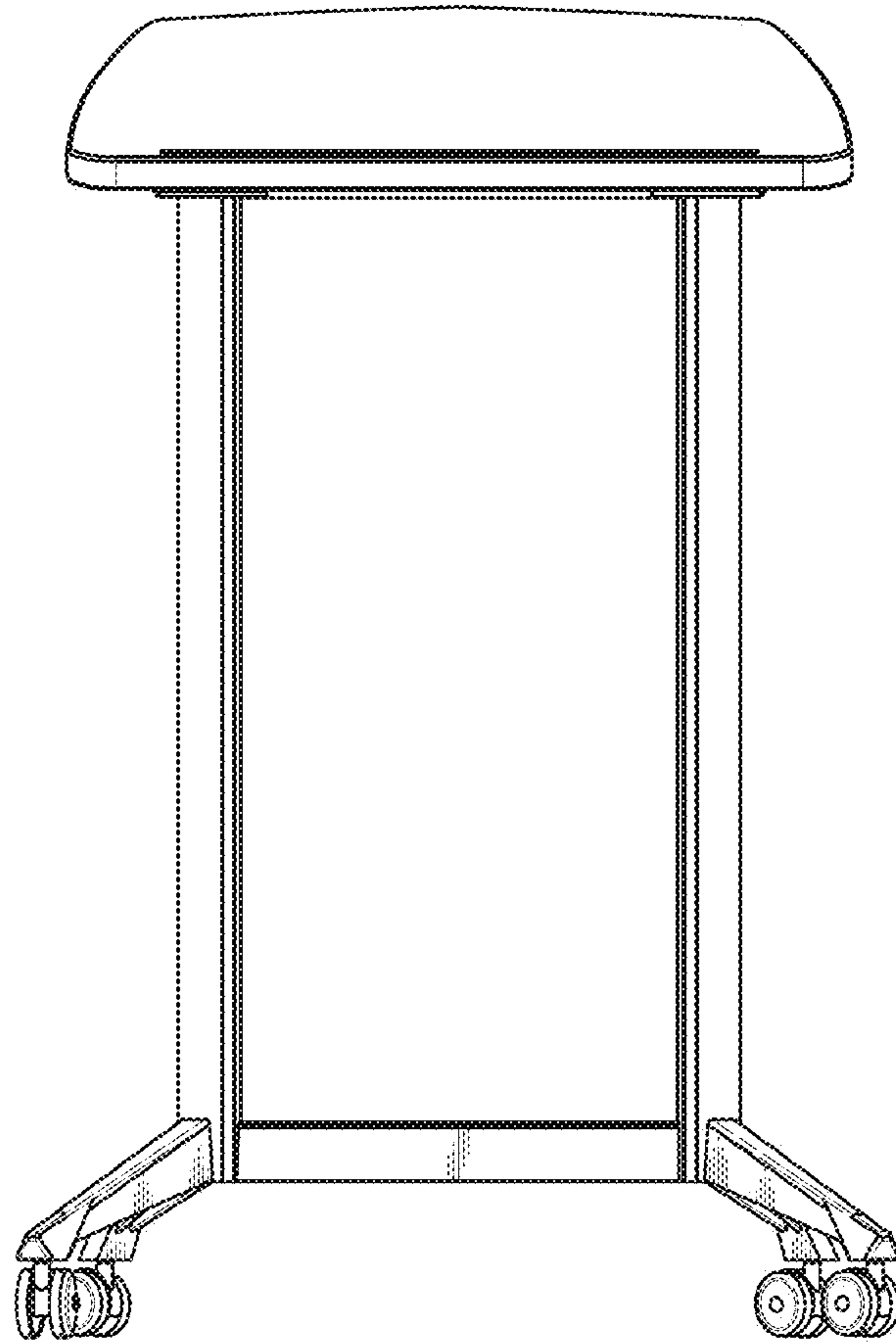


FIG. 3

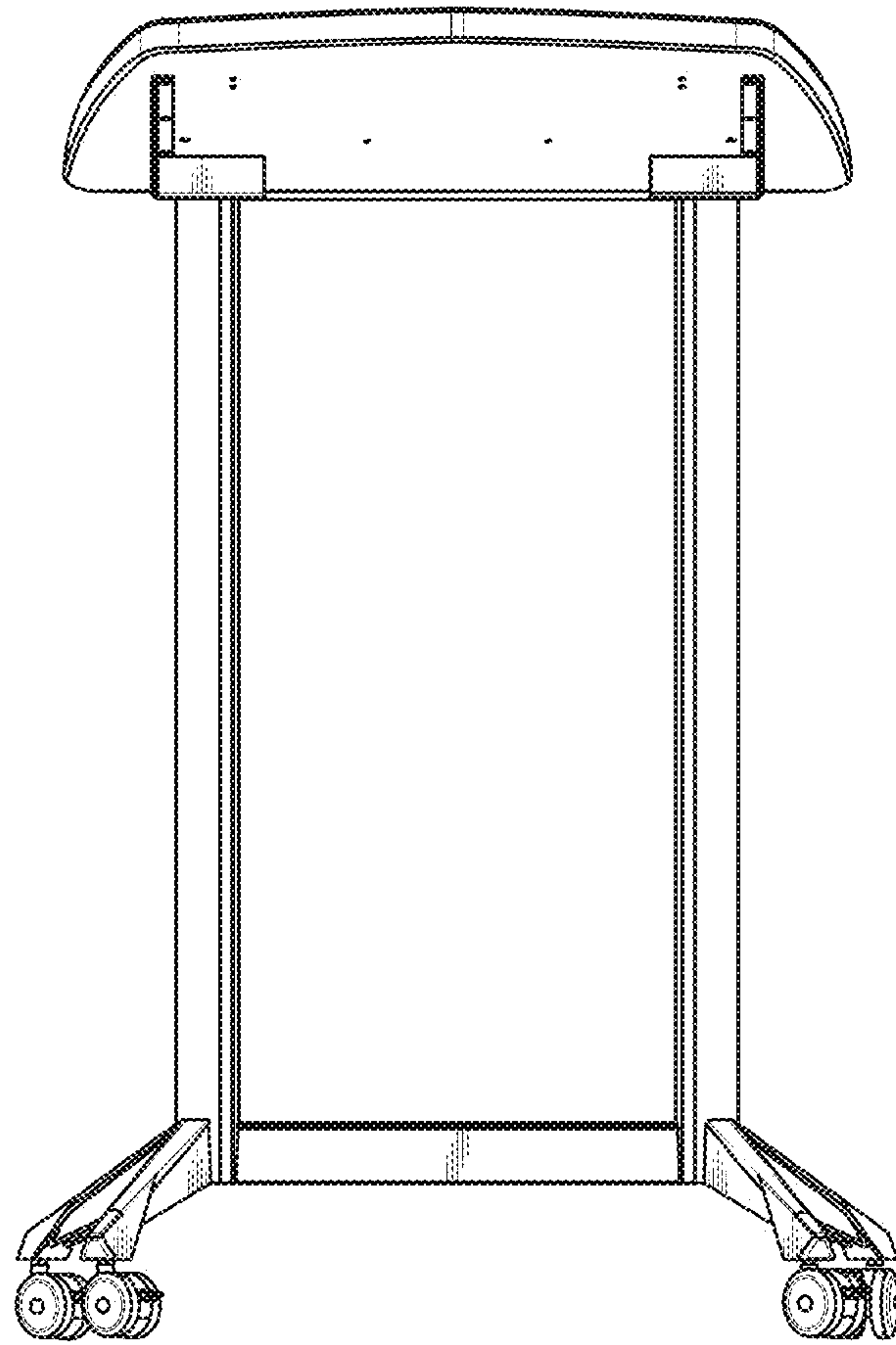


FIG. 4

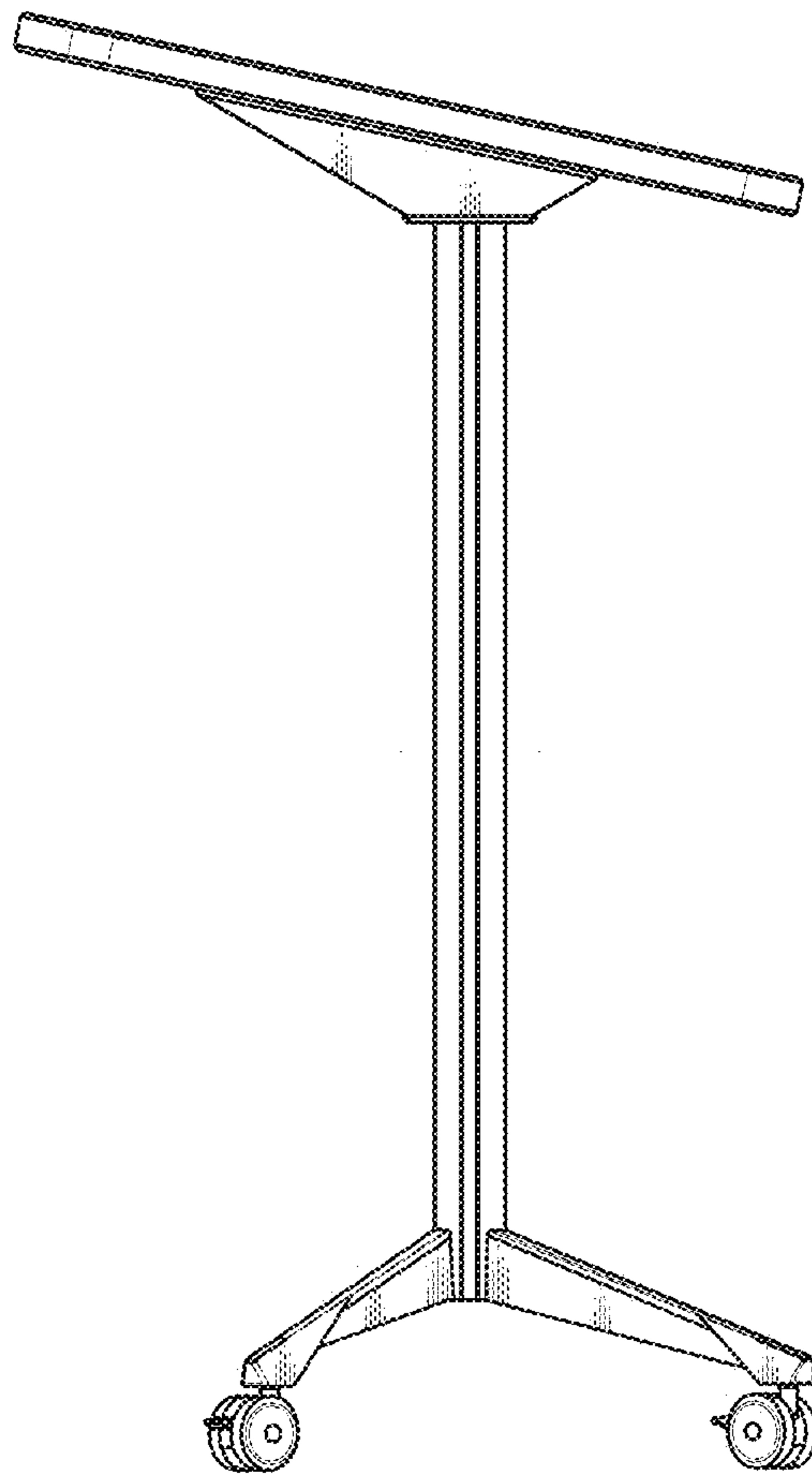


FIG. 5

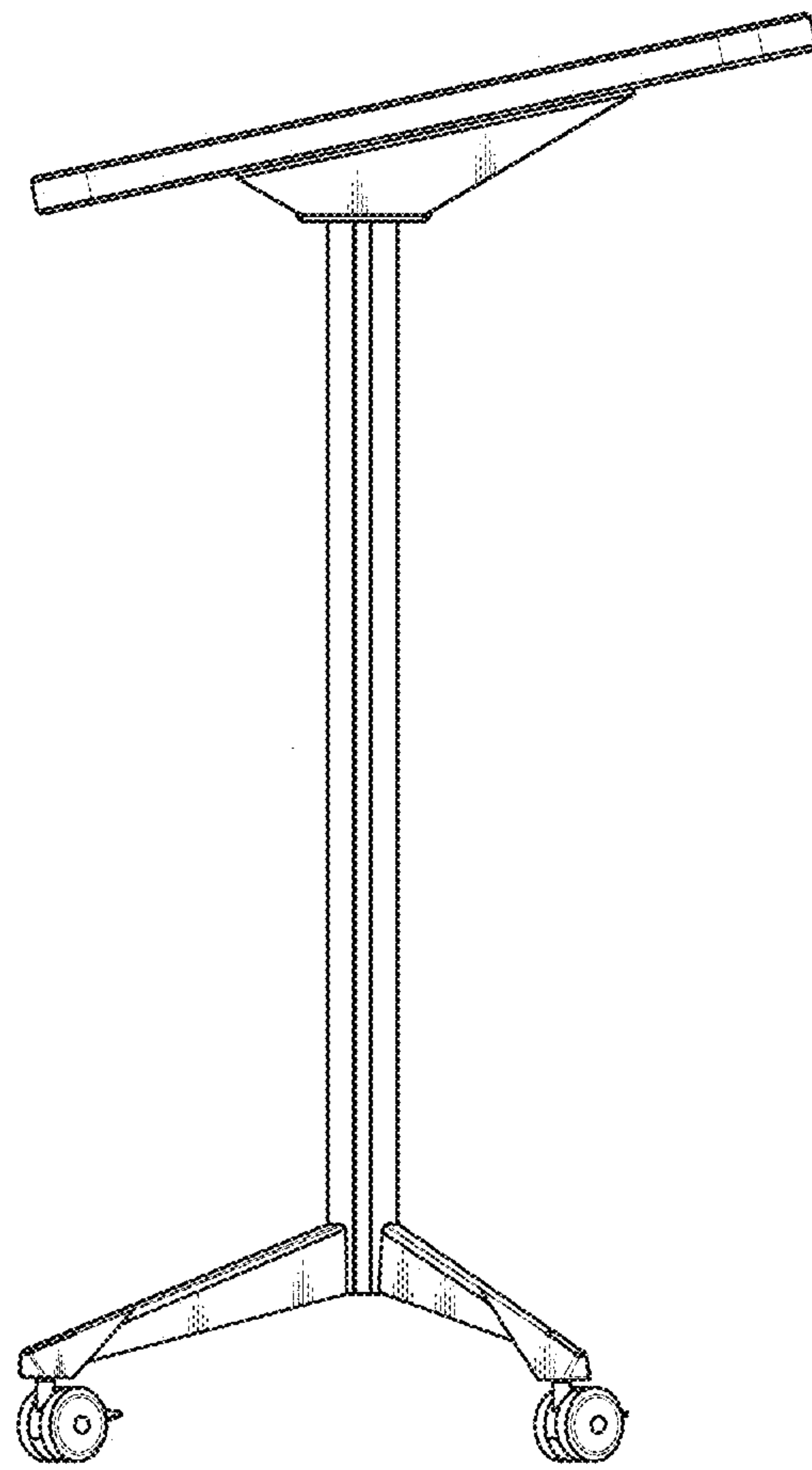


FIG. 6

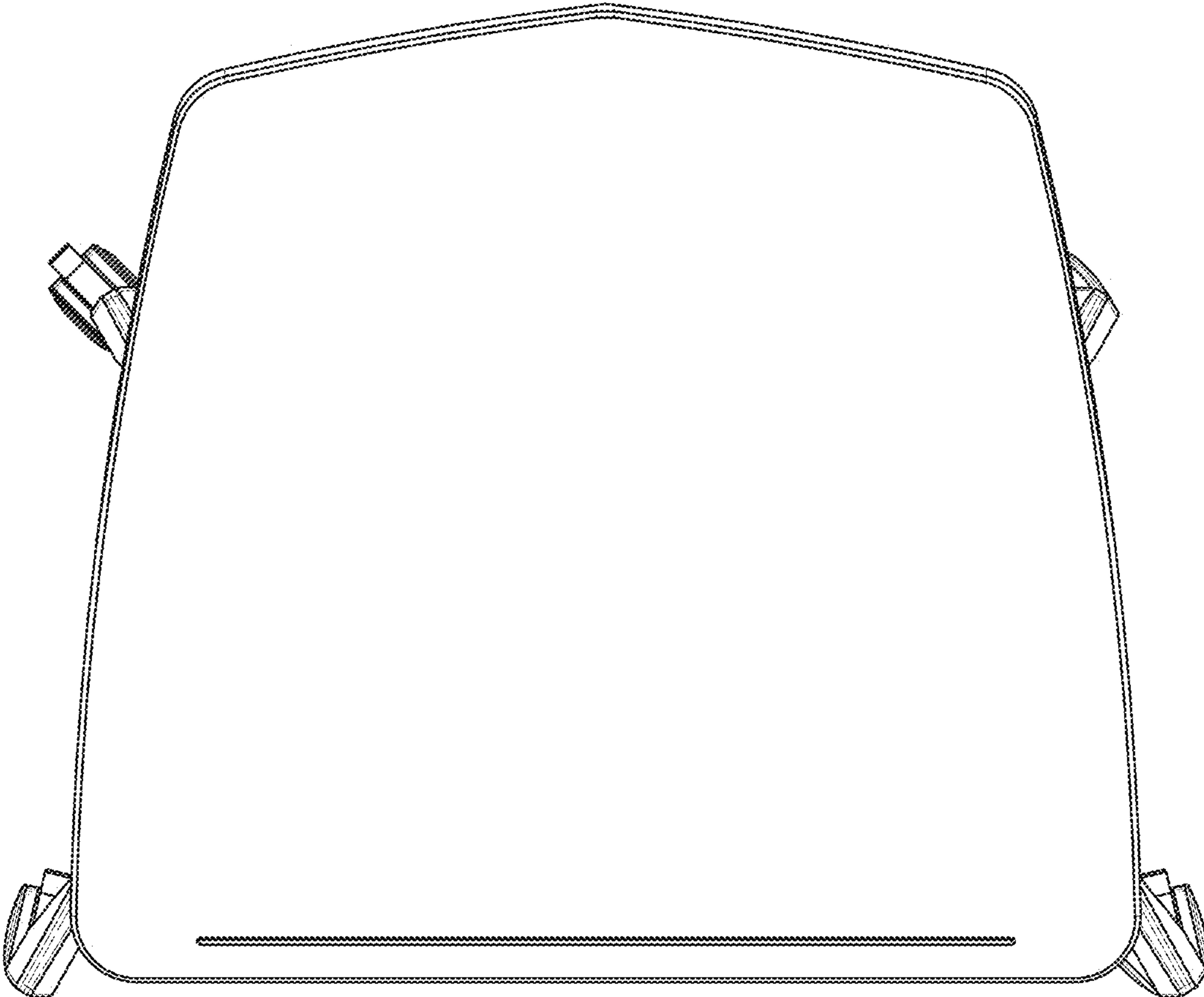


FIG. 7

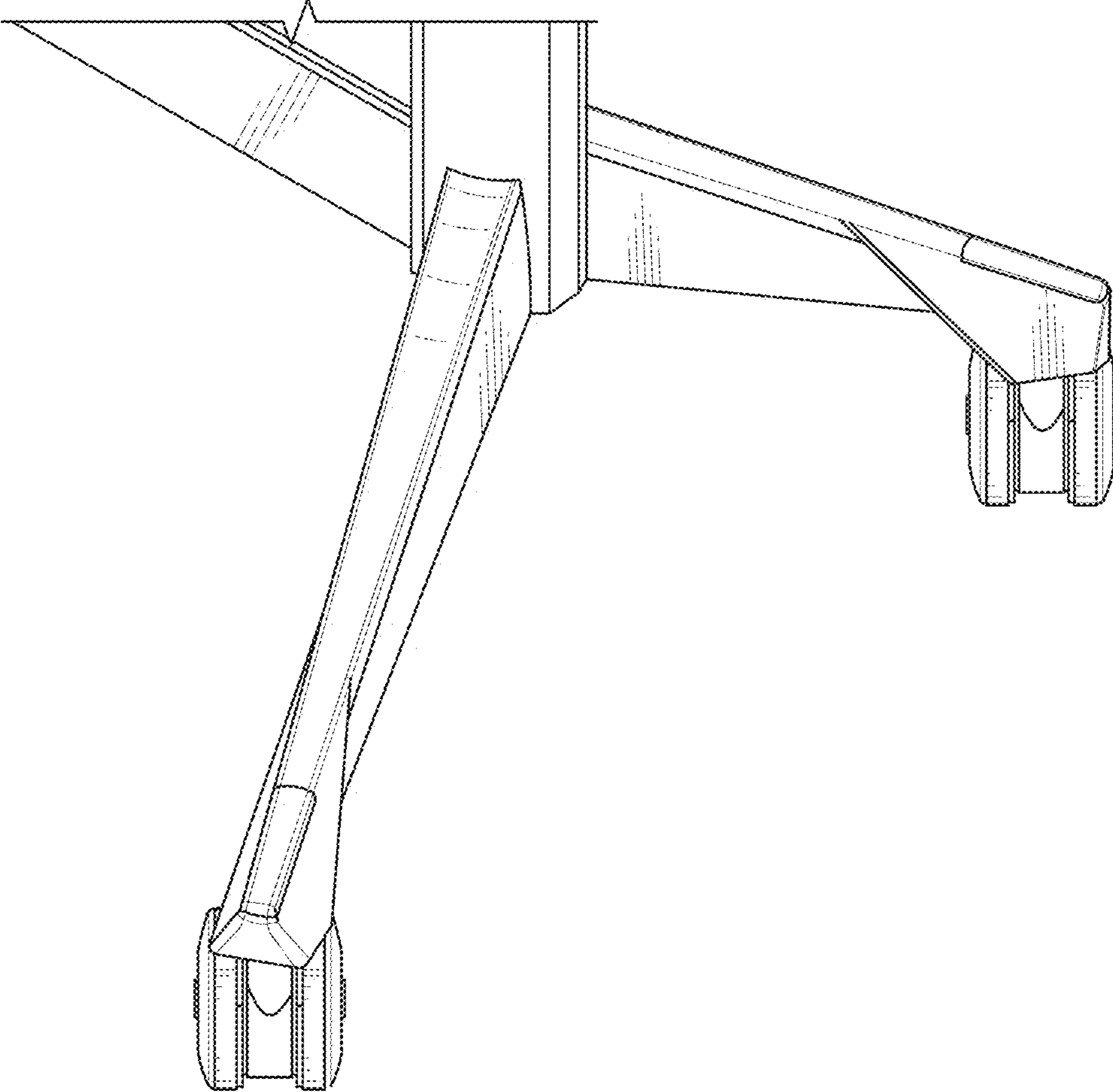


FIG. 8

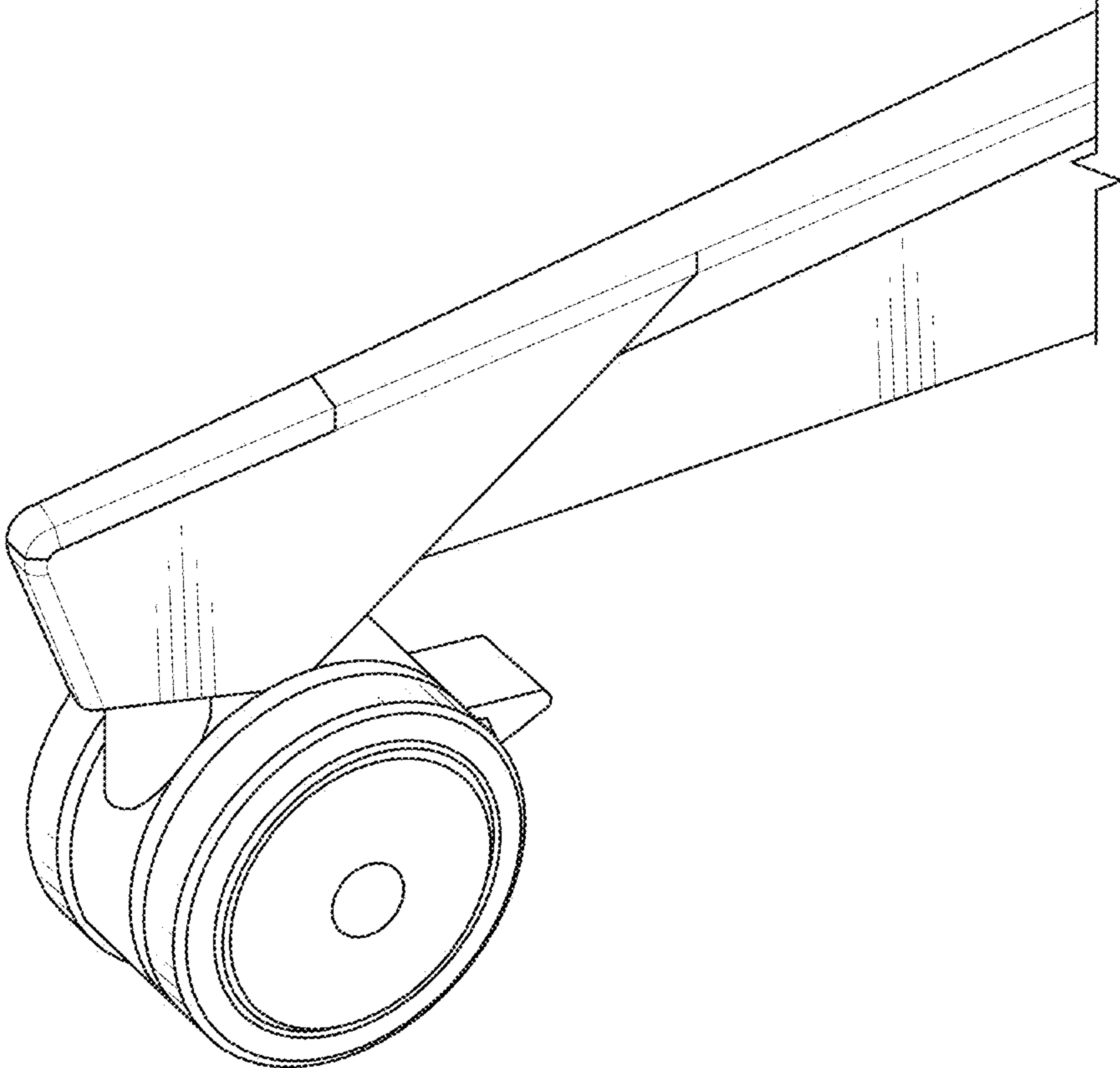


FIG. 9