



US00D882996S

(12) **United States Design Patent**
Hale

(10) **Patent No.:** **US D882,996 S**

(45) **Date of Patent:** **** May 5, 2020**

(54) **TABLE**

(71) Applicant: **Williams-Sonoma, Inc.**, San Francisco, CA (US)

(72) Inventor: **Edward Hale**, Brooklyn, NY (US)

(73) Assignee: **Williams-Sonoma, Inc.**, San Francisco, CA (US)

(**) Term: **15 Years**

(21) Appl. No.: **29/662,910**

(22) Filed: **Sep. 10, 2018**

(51) **LOC (12) Cl.** **06-03**

(52) **U.S. Cl.**
USPC **D6/697.2**

(58) **Field of Classification Search**
USPC D6/685, 686, 691, 691.1-691.9, 697, D6/697.1, 697.2
CPC A47B 7/00; A47B 13/00; A47B 13/02; A47B 13/04; A47B 13/06; A47B 13/08; A47B 13/12; A47B 17/00; A47B 21/00; A47B 2200/0001; A47B 2200/0011; A47B 2200/002
See application file for complete search history.

(56) **References Cited**

U.S. PATENT DOCUMENTS

2,842,416 A * 7/1958 Davock A47B 23/001
108/158.12
4,321,875 A * 3/1982 Danko A47B 13/02
108/150

D289,477 S * 4/1987 Berry, Jr. D6/691.7
D298,195 S * 10/1988 Cionini A47B 13/02
D6/691
D298,595 S * 11/1988 Cionini D6/691
D793,781 S * 8/2017 Gharabegian A47B 23/001
D6/691

OTHER PUBLICATIONS

Oak Arch Leg Coffee Table—Makers Bespoke Furniture.com <https://www.makersbespokefurniture.com/gallery/oak-arch-leg-coffee-table/> retrieved from the internet on Nov. 23, 2019.*

* cited by examiner

Primary Examiner — Mary Ann Calabrese
(74) *Attorney, Agent, or Firm* — Cook Alex Ltd.; R. Blake Johnston

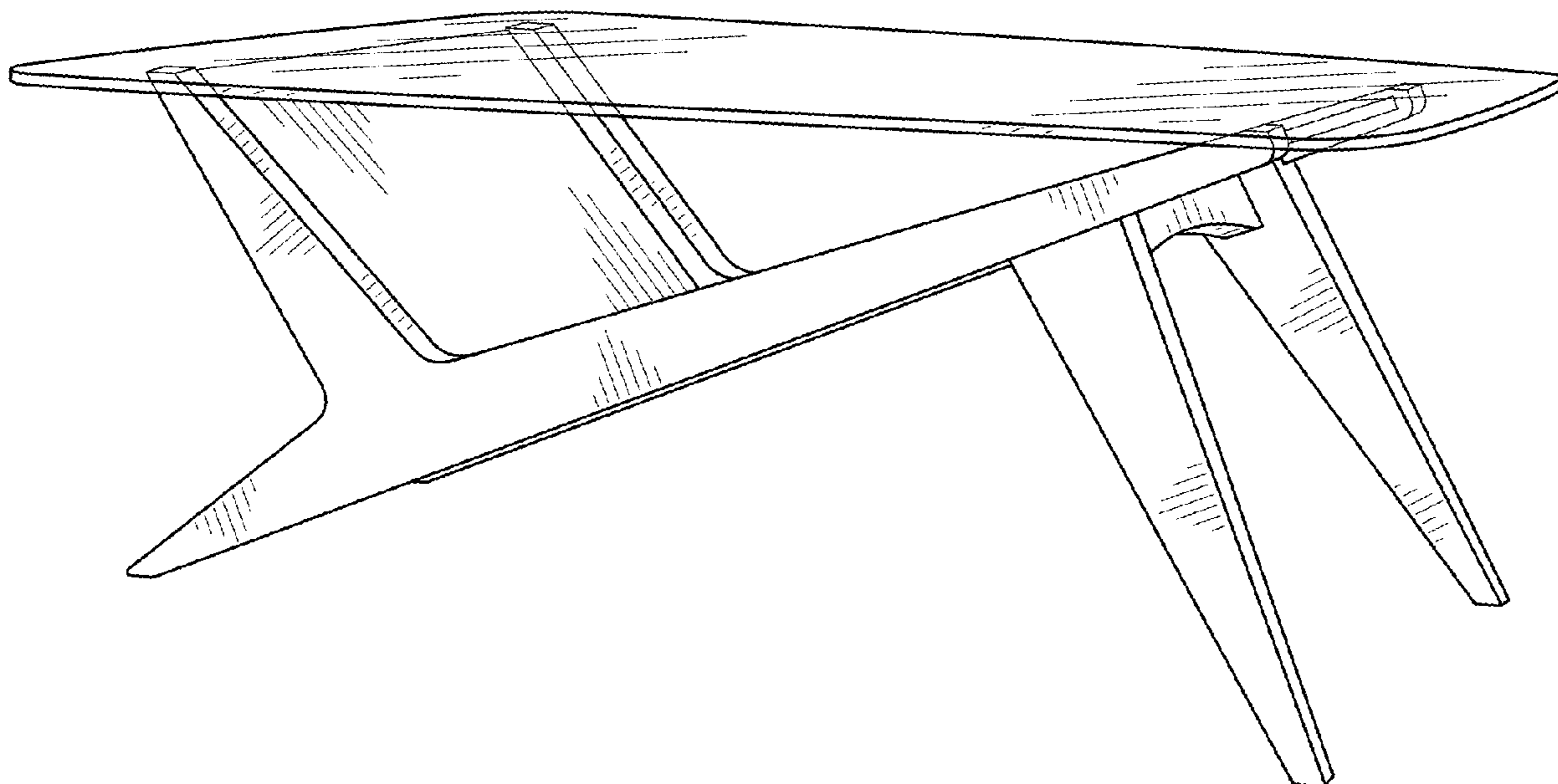
(57) **CLAIM**

The ornamental design for a table, as shown and described.

DESCRIPTION

FIG. 1 is a perspective view of the table; FIG. 2 is a front elevational view of the table; FIG. 3 is a rear elevational view of the table; FIG. 4 is a right side elevational view of the table, the opposite side of which is a mirror image; FIG. 5 is a top plan view of the table; and, FIG. 6 is a bottom plan view of the table. The broken lines in the figures represent portions of the article which form no part of the claim.

1 Claim, 4 Drawing Sheets



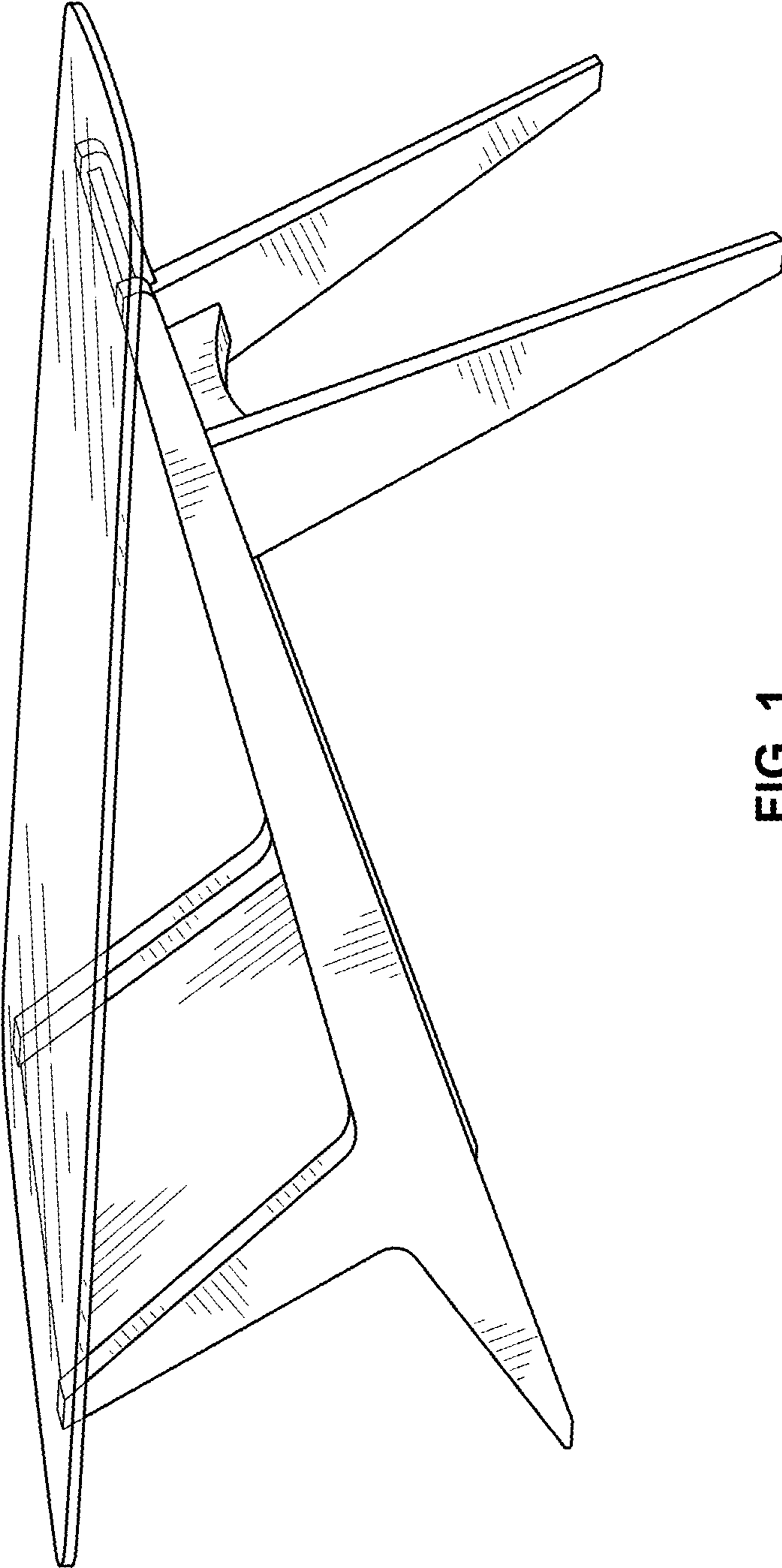


FIG. 1

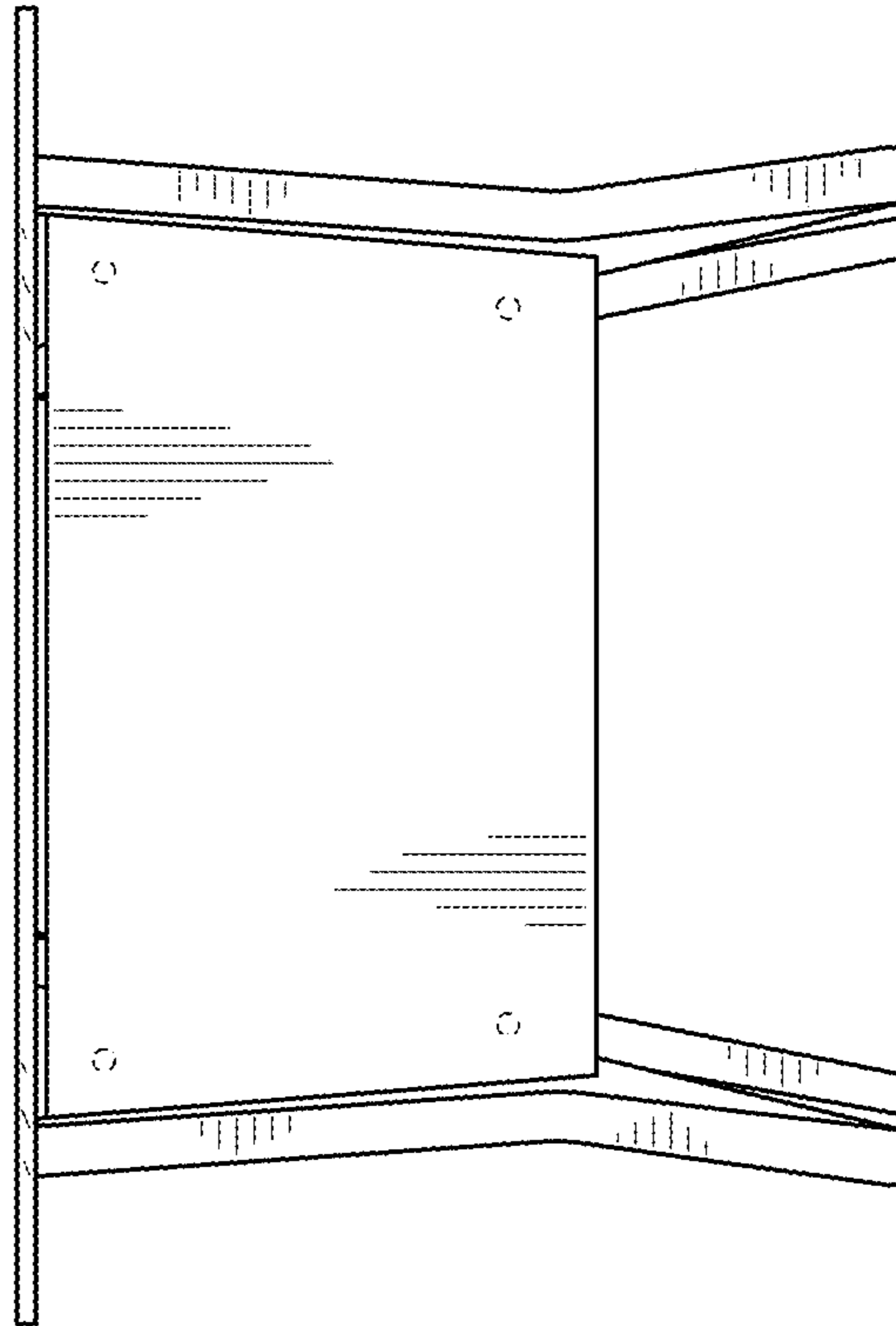


FIG. 3

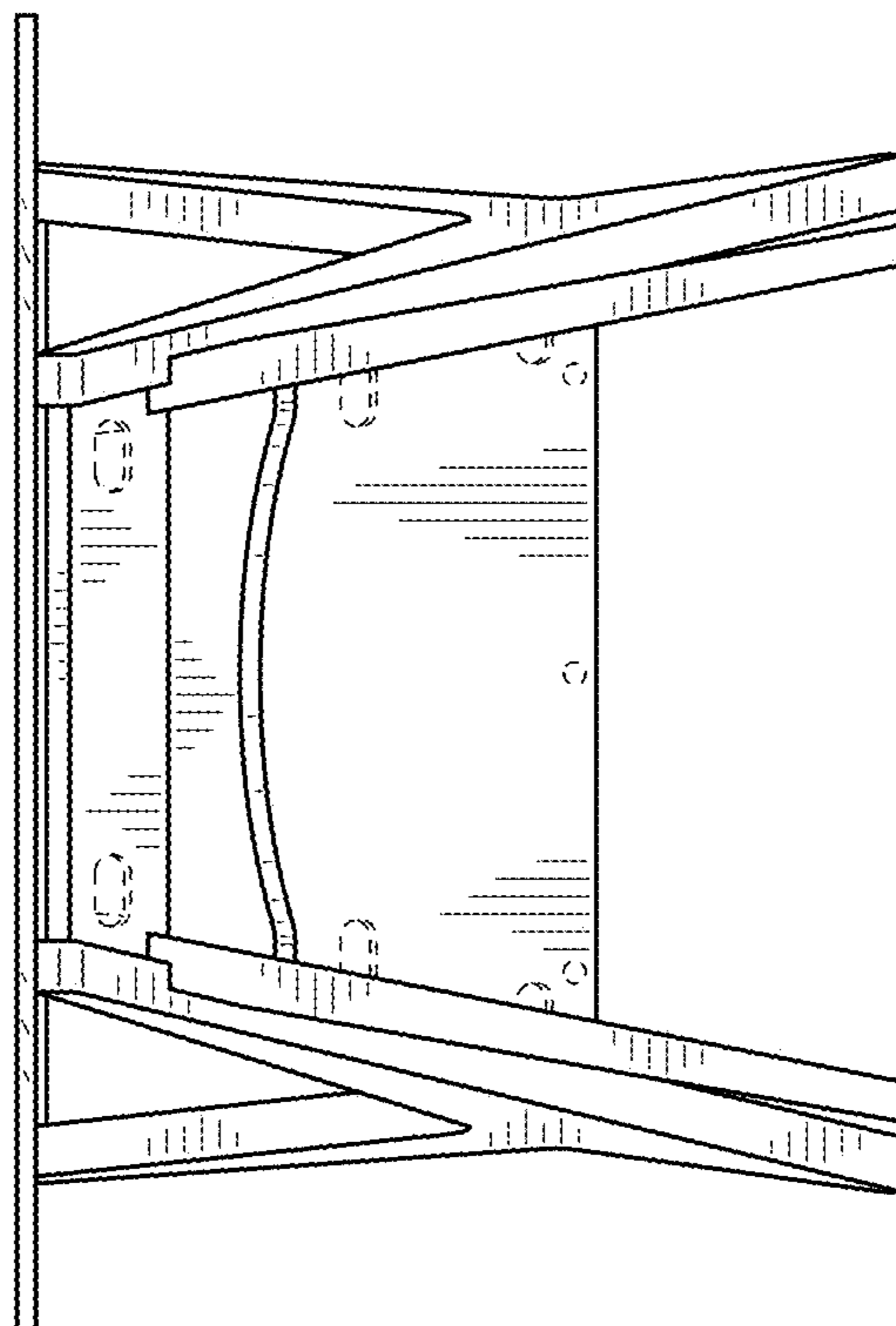


FIG. 2

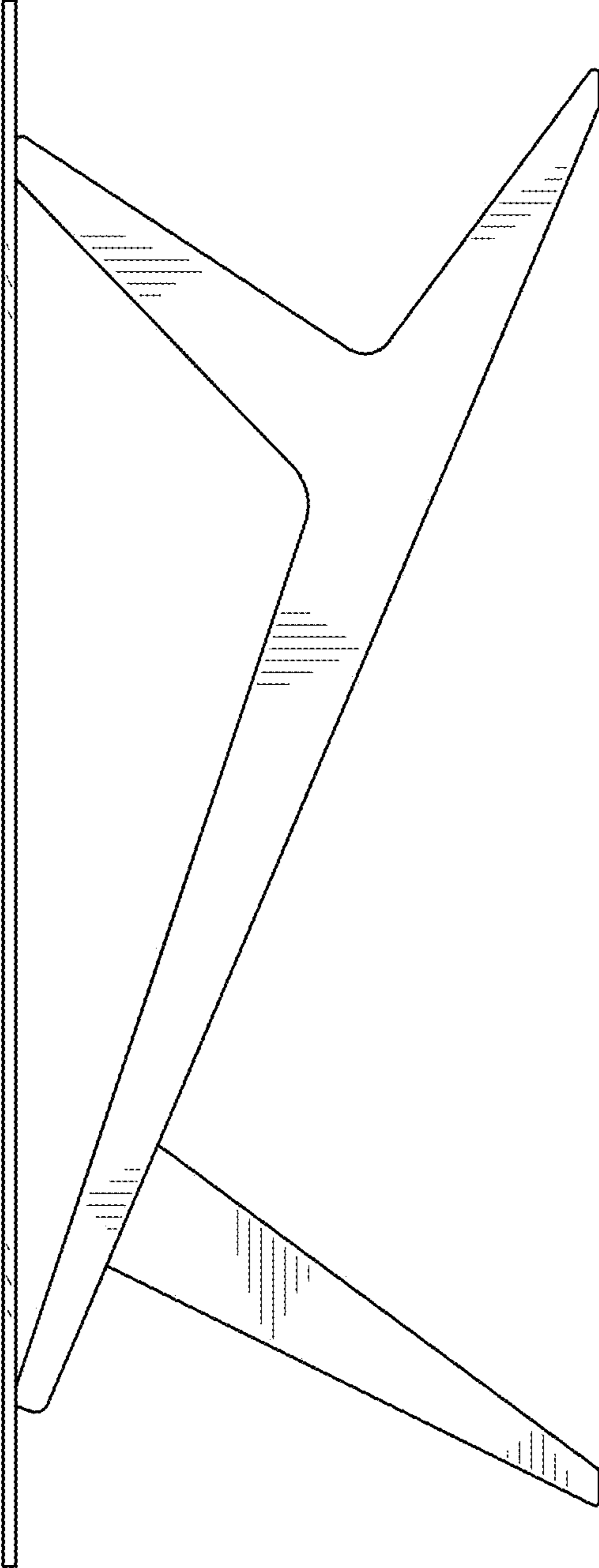


FIG. 4

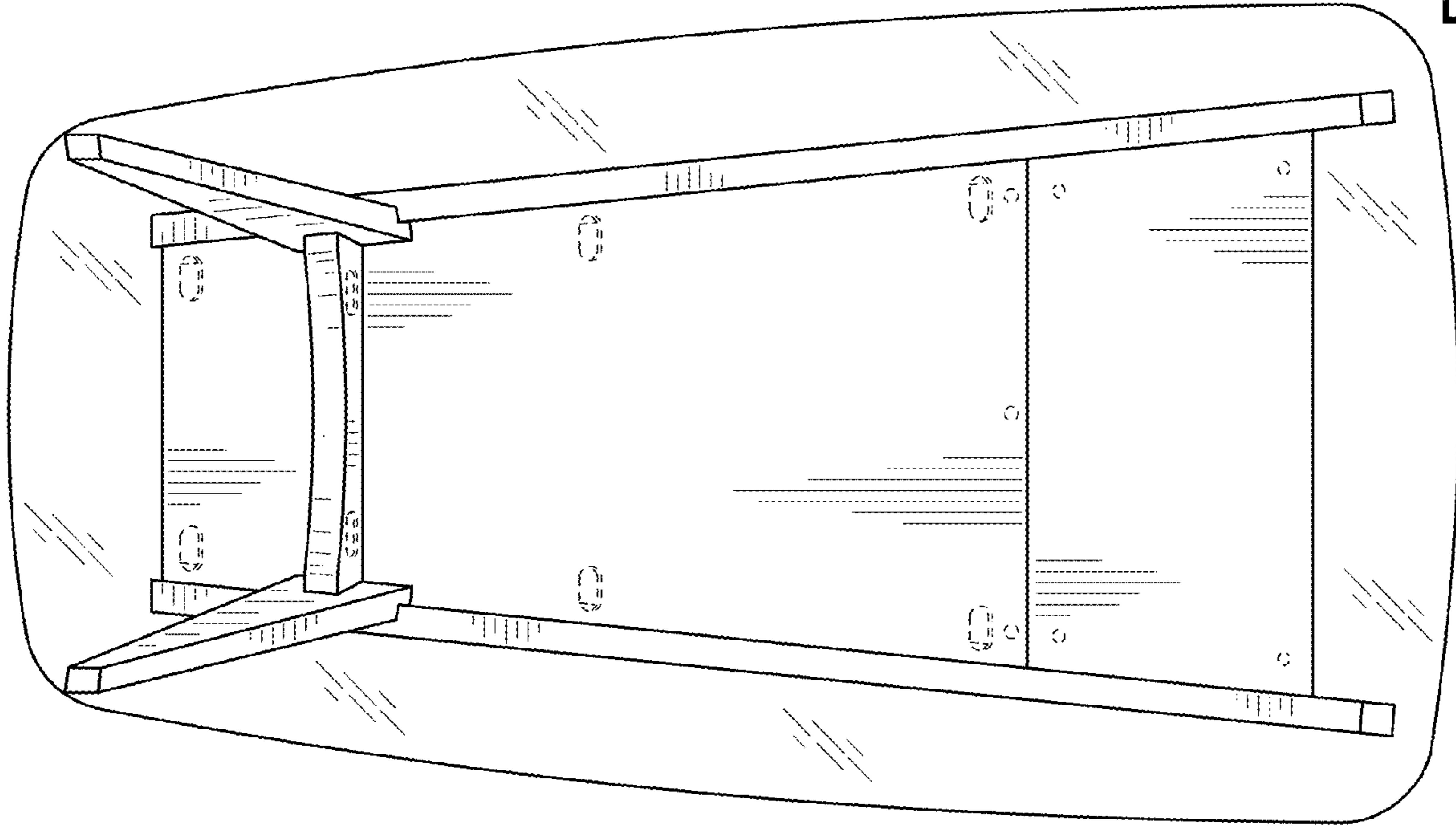


FIG. 6

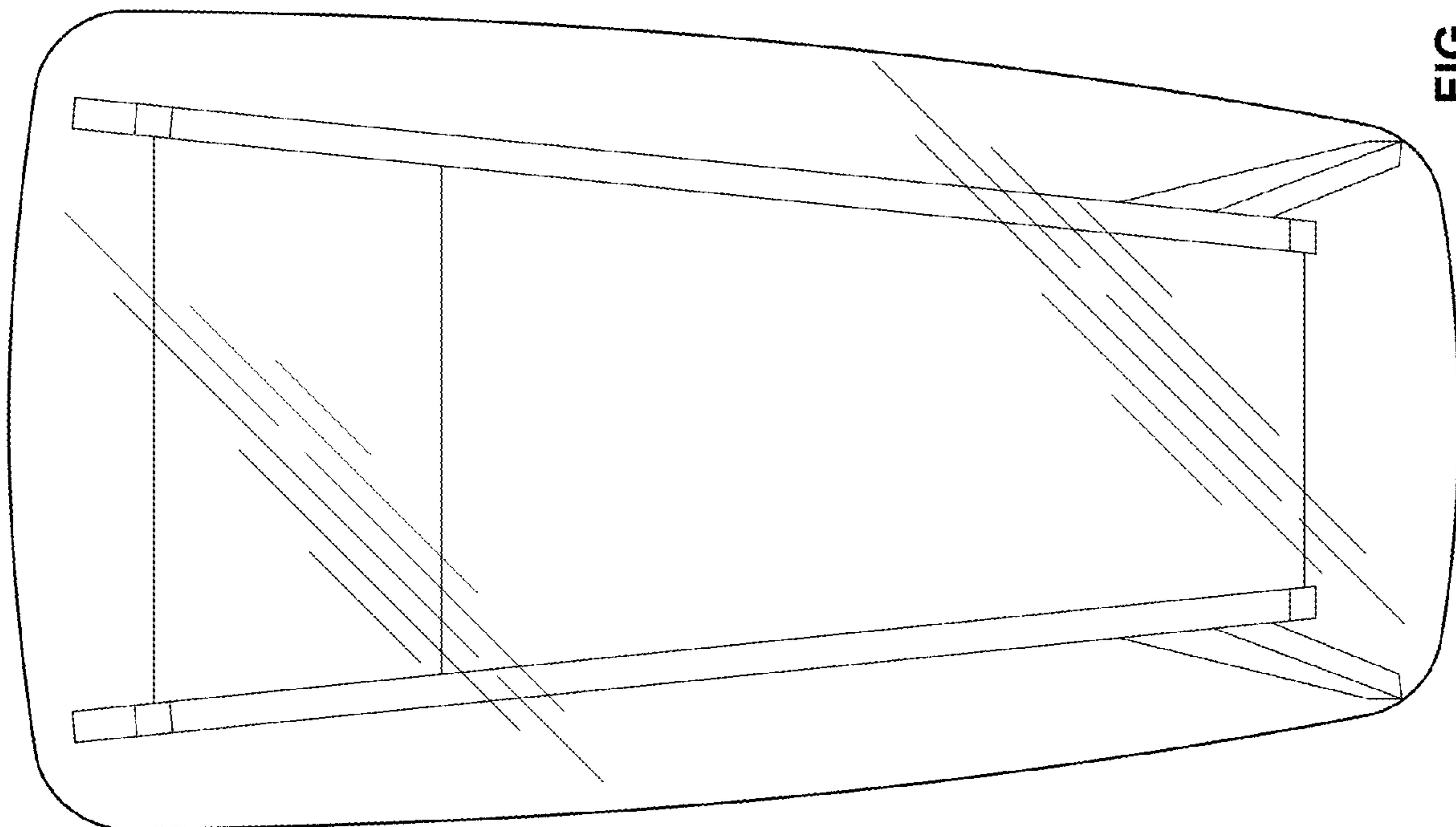


FIG. 5