



US00D882995S

(12) **United States Design Patent**  
**Wilcox**

(10) **Patent No.:** **US D882,995 S**

(45) **Date of Patent:** **\*\* May 5, 2020**

(54) **TABLE**

(71) Applicant: **Assa Group, Inc.**, Lowell, MI (US)

(72) Inventor: **Randi Wilcox**, Roscommon, MI (US)

(\*\*) Term: **15 Years**

(21) Appl. No.: **29/650,928**

(22) Filed: **Jun. 11, 2018**

(51) **LOC (12) Cl.** ..... **06-03**

(52) **U.S. Cl.**  
USPC ..... **D6/691.6**

(58) **Field of Classification Search**  
USPC ..... D6/685, 686, 690, 691, 691.1-691.9  
CPC .... A47B 3/00; A47B 7/00; A47B 9/00; A47B  
13/00; A47B 13/02; A47B 13/04; A47B  
13/06; A47B 13/08; A47B 17/00; A47B  
19/00; A47B 21/00; A47B 2200/0001;  
A47B 2200/0011; A47B 2200/002  
See application file for complete search history.

(56) **References Cited**

**U.S. PATENT DOCUMENTS**

3,082,025 A \* 3/1963 Larson ..... A47B 3/0818  
403/61  
D239,670 S \* 4/1976 Varea ..... D6/382

D380,915 S \* 7/1997 Dadabay ..... D6/656.17  
D404,593 S \* 1/1999 Oltmans ..... D6/691  
D511,911 S \* 11/2005 Light ..... D6/691.6  
D668,891 S \* 10/2012 Andersen ..... D6/691.6  
D758,113 S \* 6/2016 Domingo ..... D6/691  
D829,475 S \* 10/2018 Davis ..... D6/691  
D866,232 S \* 11/2019 Davis ..... D6/691.6

\* cited by examiner

*Primary Examiner* — Mary Ann Calabrese

(74) *Attorney, Agent, or Firm* — Oppenhuizen Law PLC;  
David L. Oppenhuizen

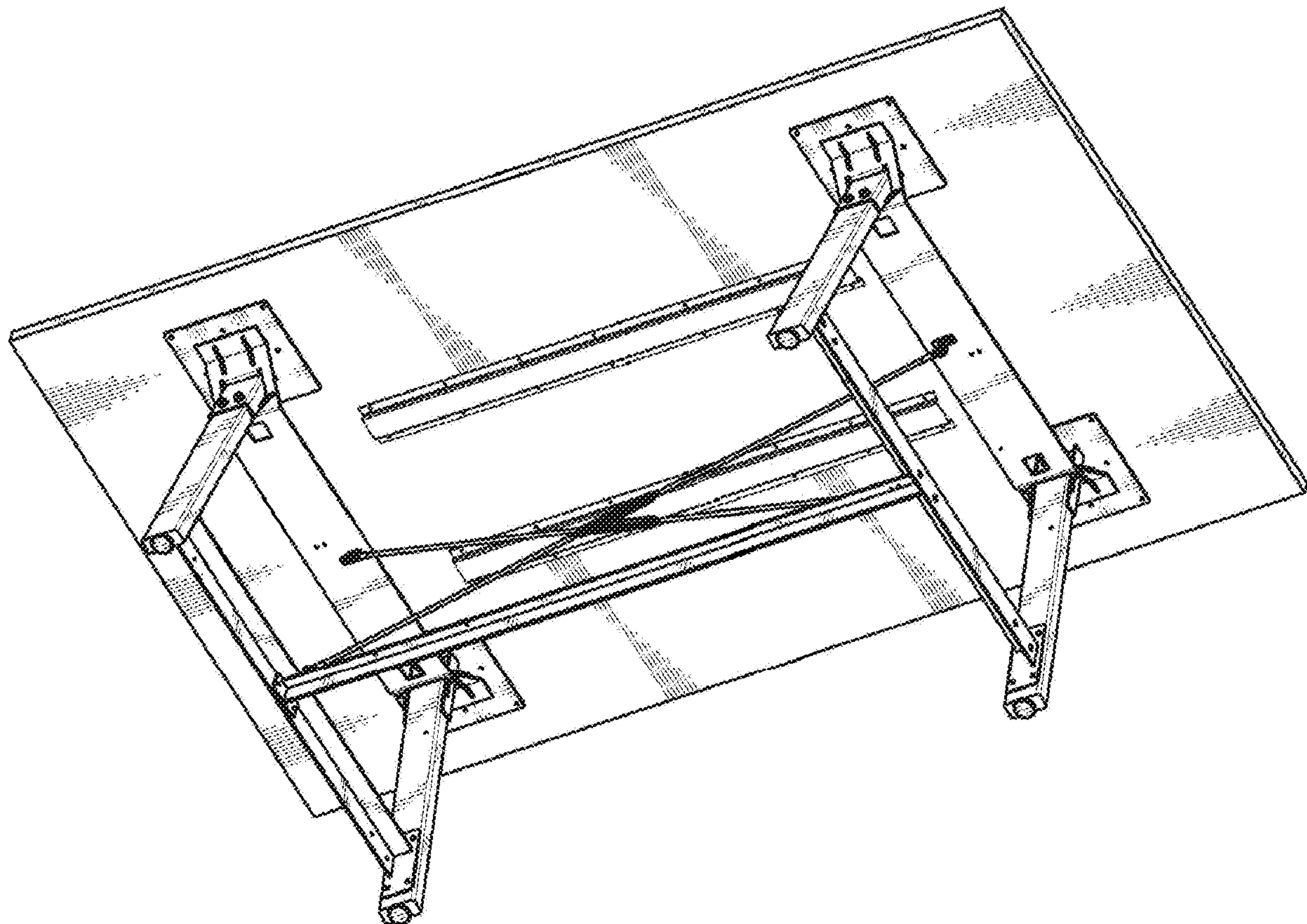
(57) **CLAIM**

The ornamental design for a table, as shown and described.

**DESCRIPTION**

FIG. 1 is a bottom perspective view of a table showing the new design;  
FIG. 2 is a rear view;  
FIG. 3 is a front view;  
FIG. 4 is a bottom view;  
FIG. 5 is a top view;  
FIG. 6 is a right view; and,  
FIG. 7 is a left view.  
The broken lines in the drawings show portions of the table that form no part of the claimed design.

**1 Claim, 7 Drawing Sheets**



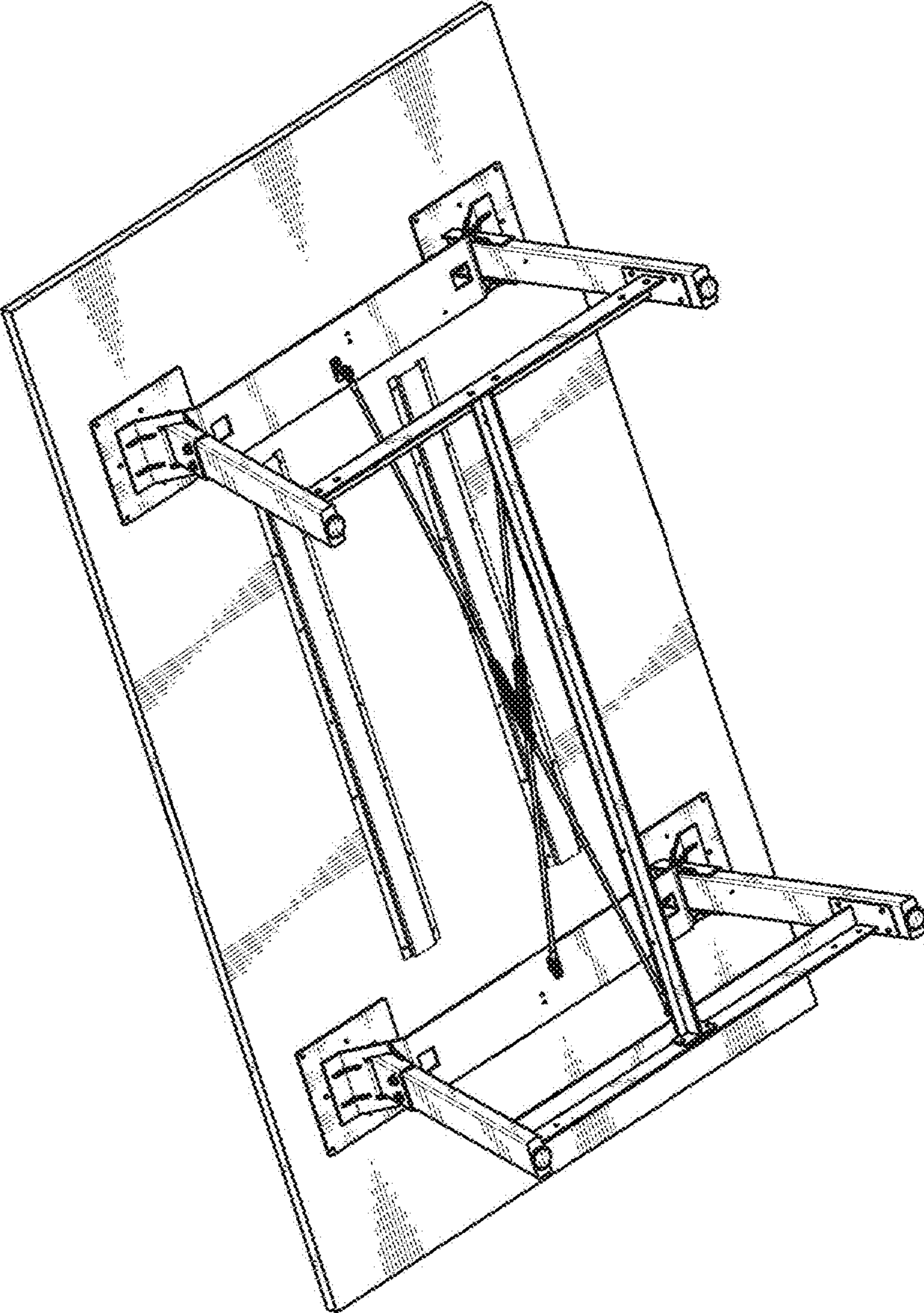


FIG. 1

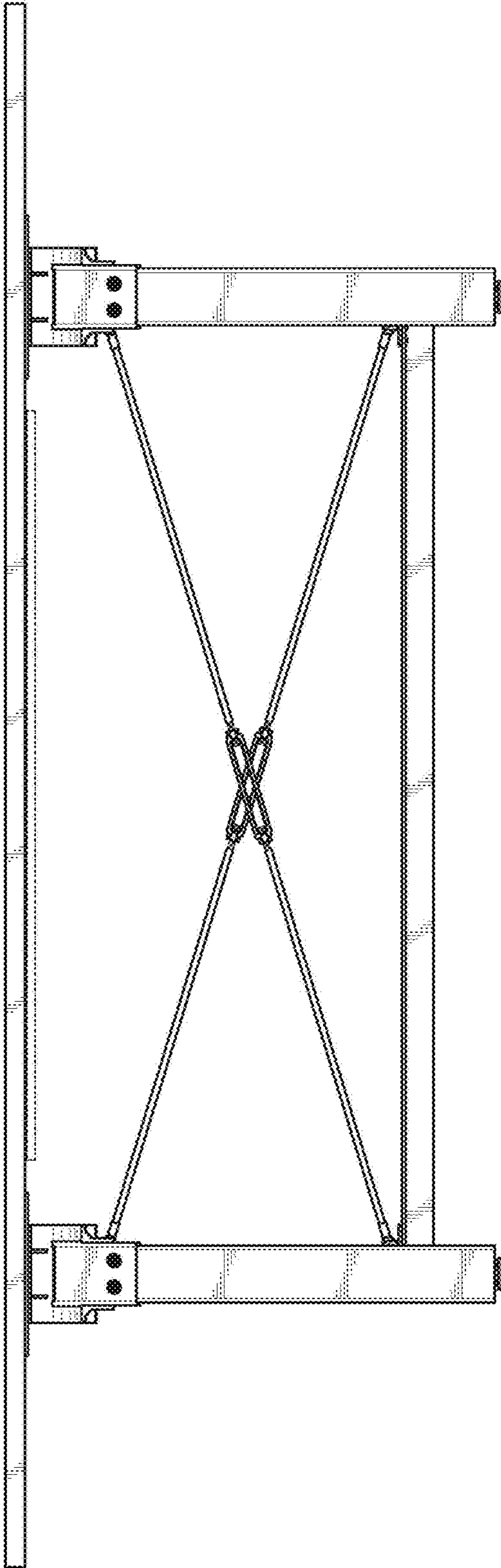


FIG. 2



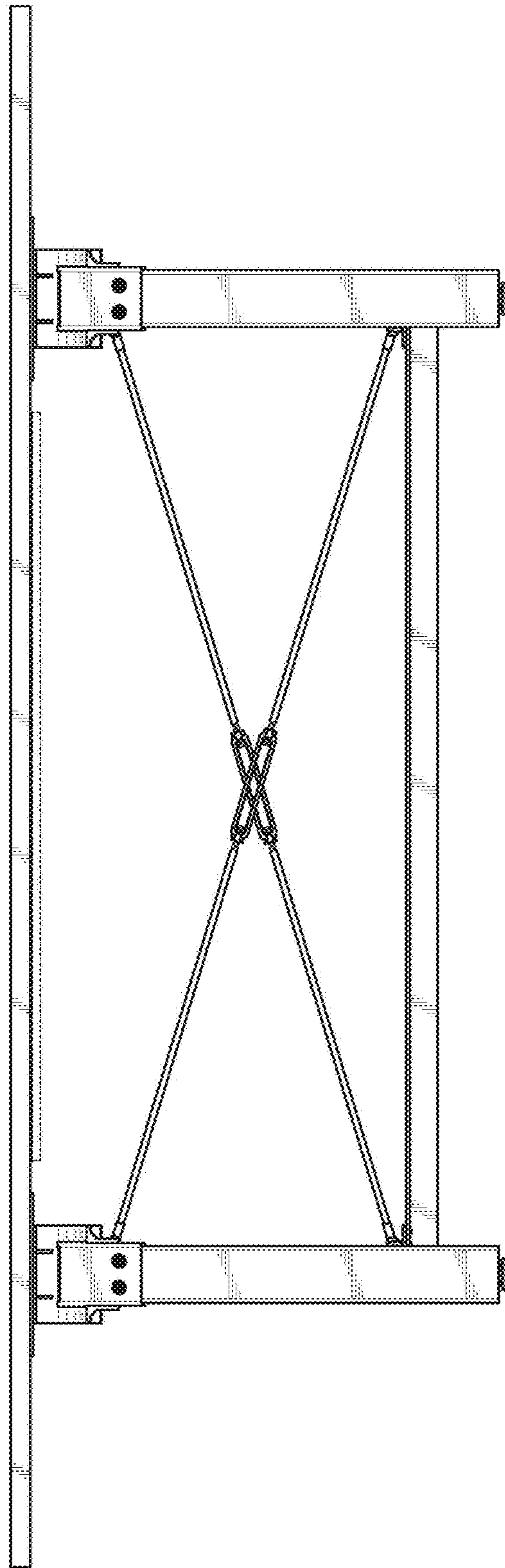


FIG. 3

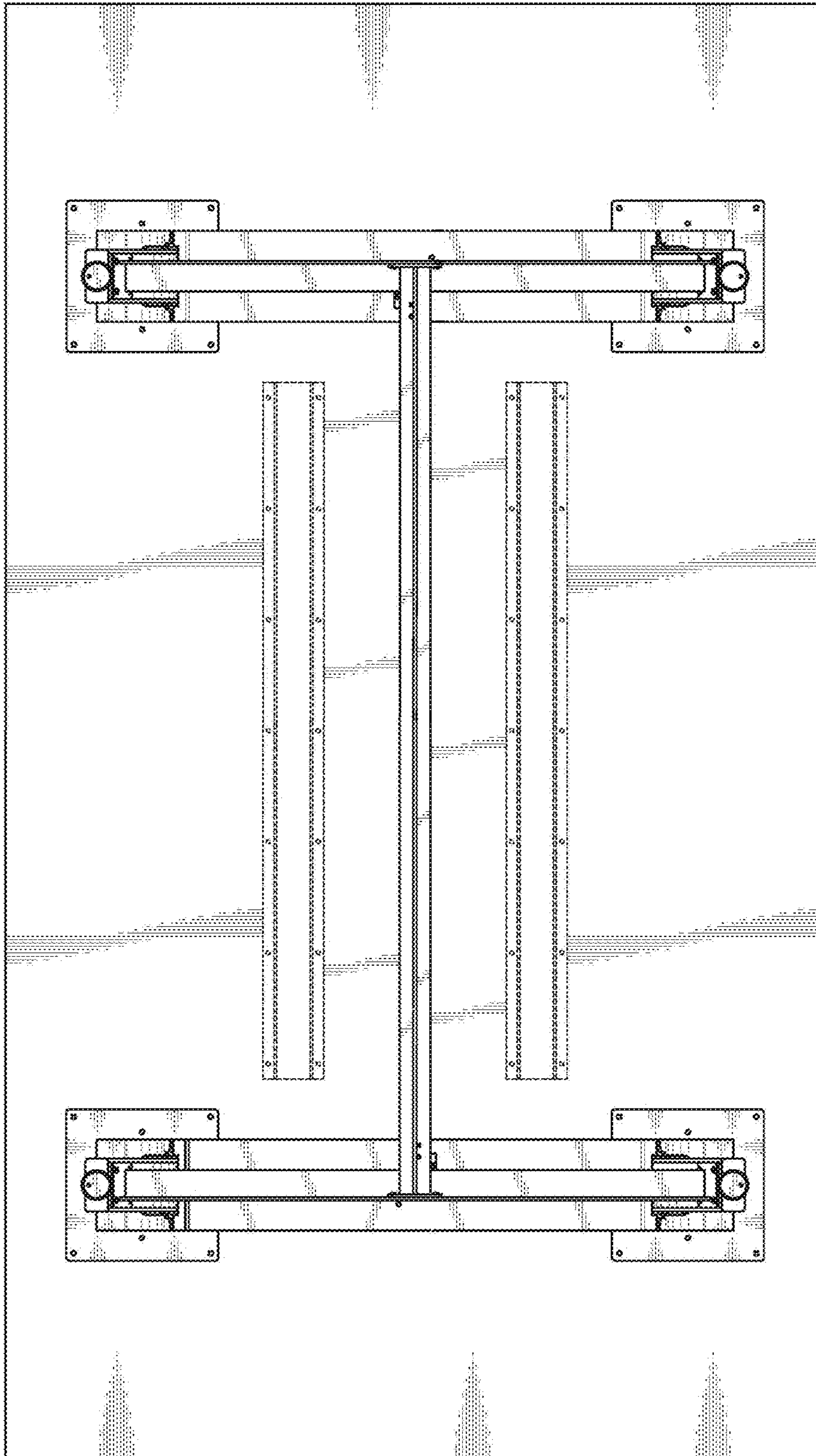


FIG. 4

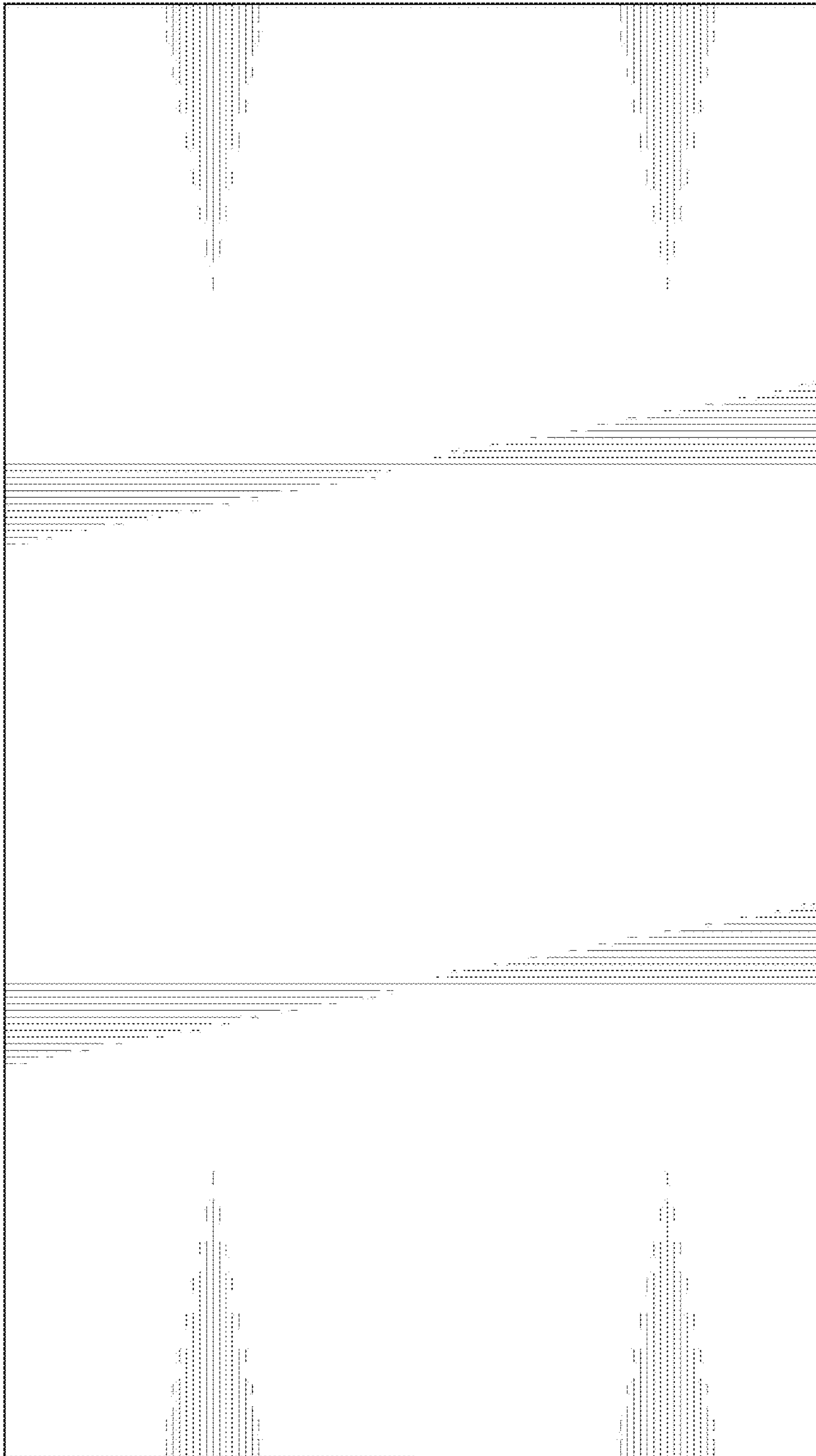


FIG. 5

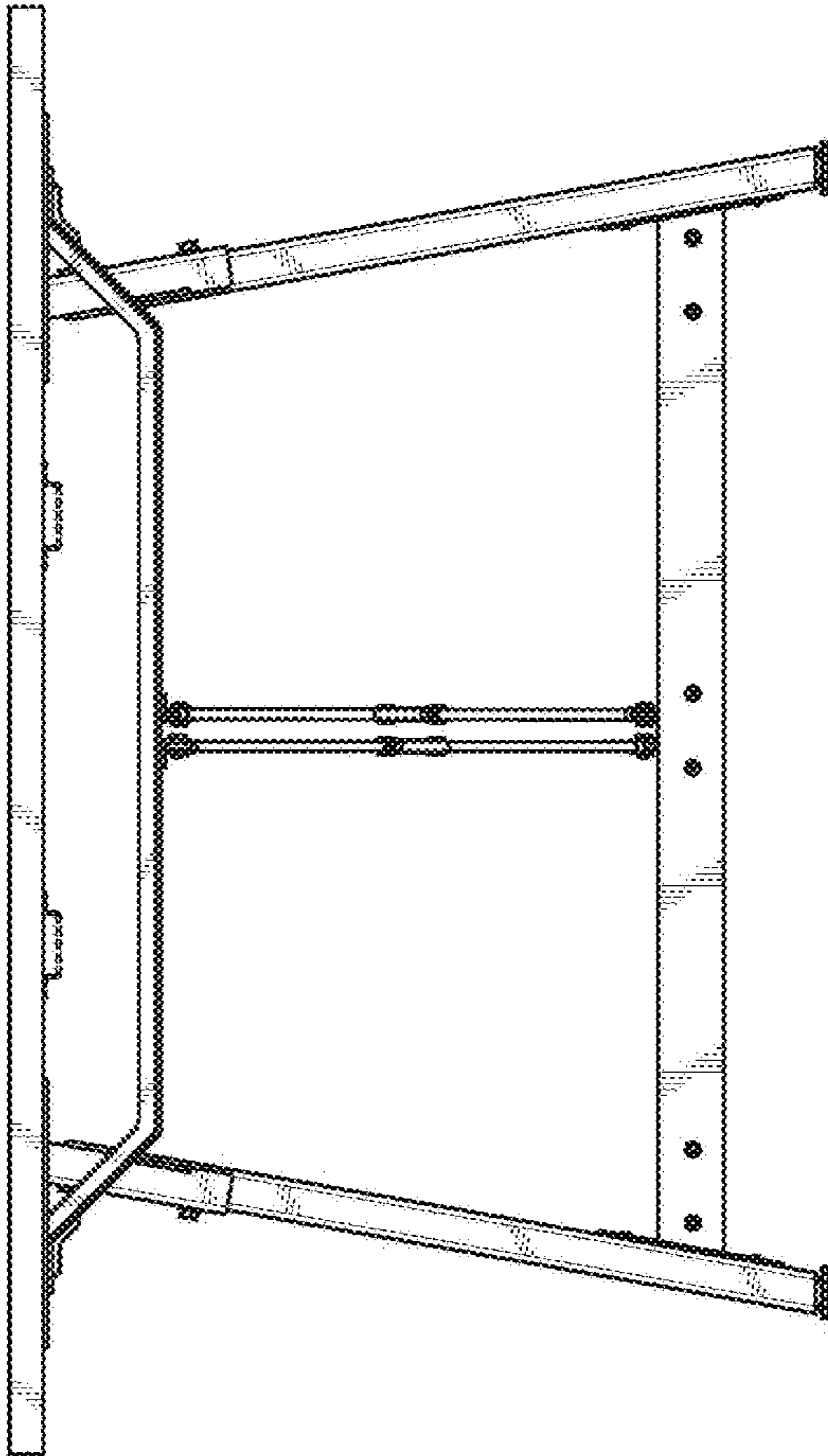


FIG. 6

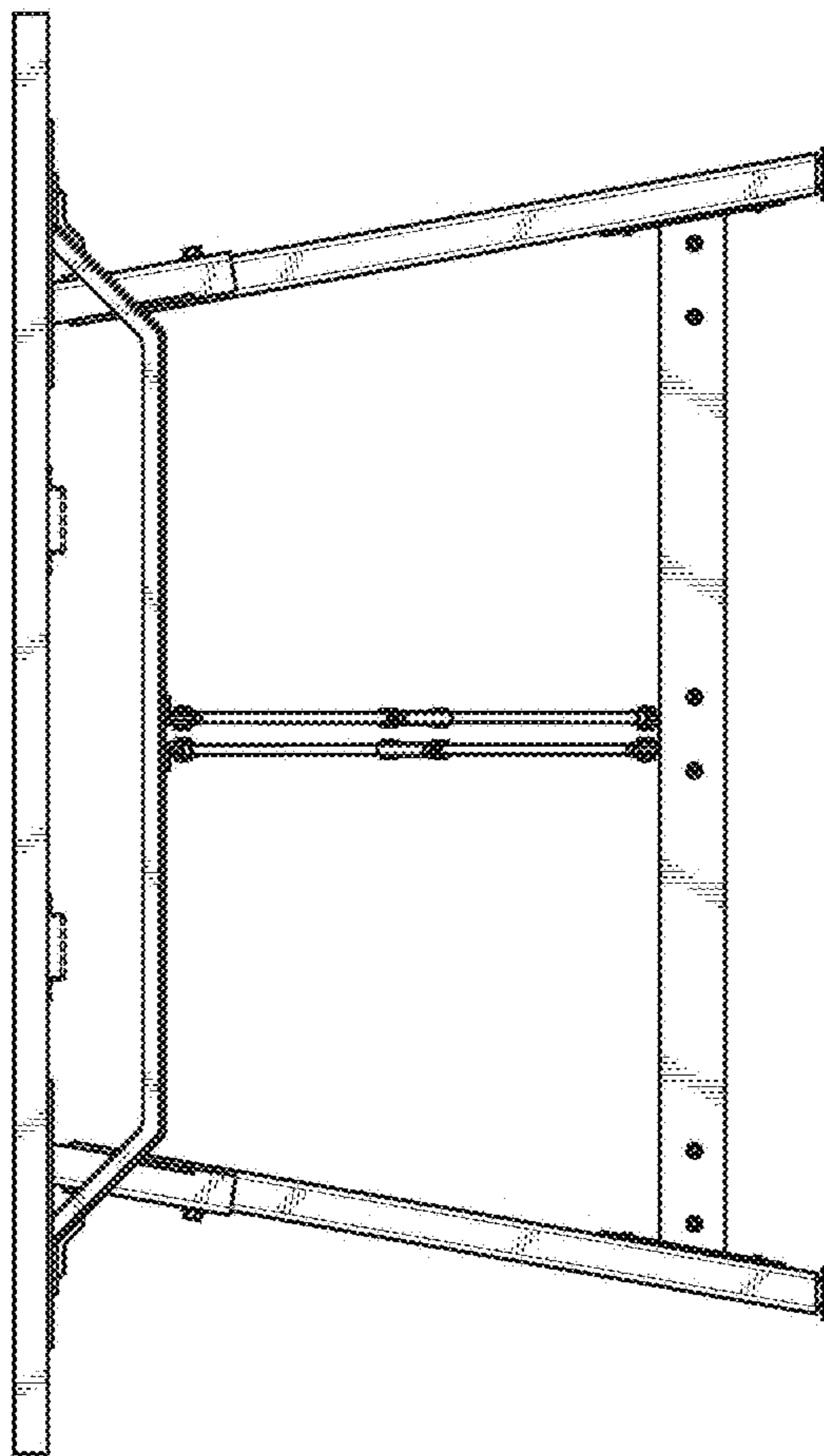


FIG. 7