



US00D882990S

(12) **United States Design Patent** (10) **Patent No.:** **US D882,990 S**
Song (45) **Date of Patent:** **** May 5, 2020**

(54) **FREESTANDING JEWELRY ARMOIRE WITH MIRROR**

(71) Applicant: **AMEZIEL INC**, Ontario, CA (US)

(72) Inventor: **Chuan Song**, Zhengzhou (CN)

(**) Term: **15 Years**

(21) Appl. No.: **29/660,476**

(22) Filed: **Aug. 21, 2018**

(51) **LOC (12) Cl.** **06-04**

(52) **U.S. Cl.**
USPC **D6/664.1**

(58) **Field of Classification Search**

USPC D6/321, 663, 664, 664.1, 667, 668, 669,
D6/671, 671.2, 672, 673

CPC A47B 46/00; A47B 55/00; A47B 57/00;
A47B 61/00; A47B 67/00; A47B 67/005;
A47B 67/02; A47B 67/04; A47B 73/00;
A47B 73/004; A47B 83/00; A47B 83/001

See application file for complete search history.

(56) **References Cited**

U.S. PATENT DOCUMENTS

3,023,068	A *	2/1962	Haag	A47B 61/00 312/263
3,185,536	A *	5/1965	Armstrong	A47B 61/00 312/281
D336,179	S *	6/1993	Saunders	D6/664.1
5,681,100	A *	10/1997	Powell	A47B 67/005 248/474
D393,160	S *	4/1998	Canton Gongora	D6/672
D667,237	S *	9/2012	Greiner	D6/668.2
D747,901	S *	1/2016	Kanagy	D6/673
D863,838	S *	10/2019	Song	D6/664.1
D874,191	S *	2/2020	Qi	D6/664
2008/0129163	A1 *	6/2008	Greiner	A47B 46/00 312/225

OTHER PUBLICATIONS

Hayneedle. <https://www.hayneedle.com/product/transitionalchevalmirrorjewelryarmoirewithbasedraweroffwhite.cfm>. "Belham Living Removable Decorative Top Locking Mirrored Cheval Jewelry Armoire". Date Unknown: Viewed Feb. 2020 (Year: 2020).*

* cited by examiner

Primary Examiner — R. Johnson

(74) *Attorney, Agent, or Firm* — Tsz Lung Yeung

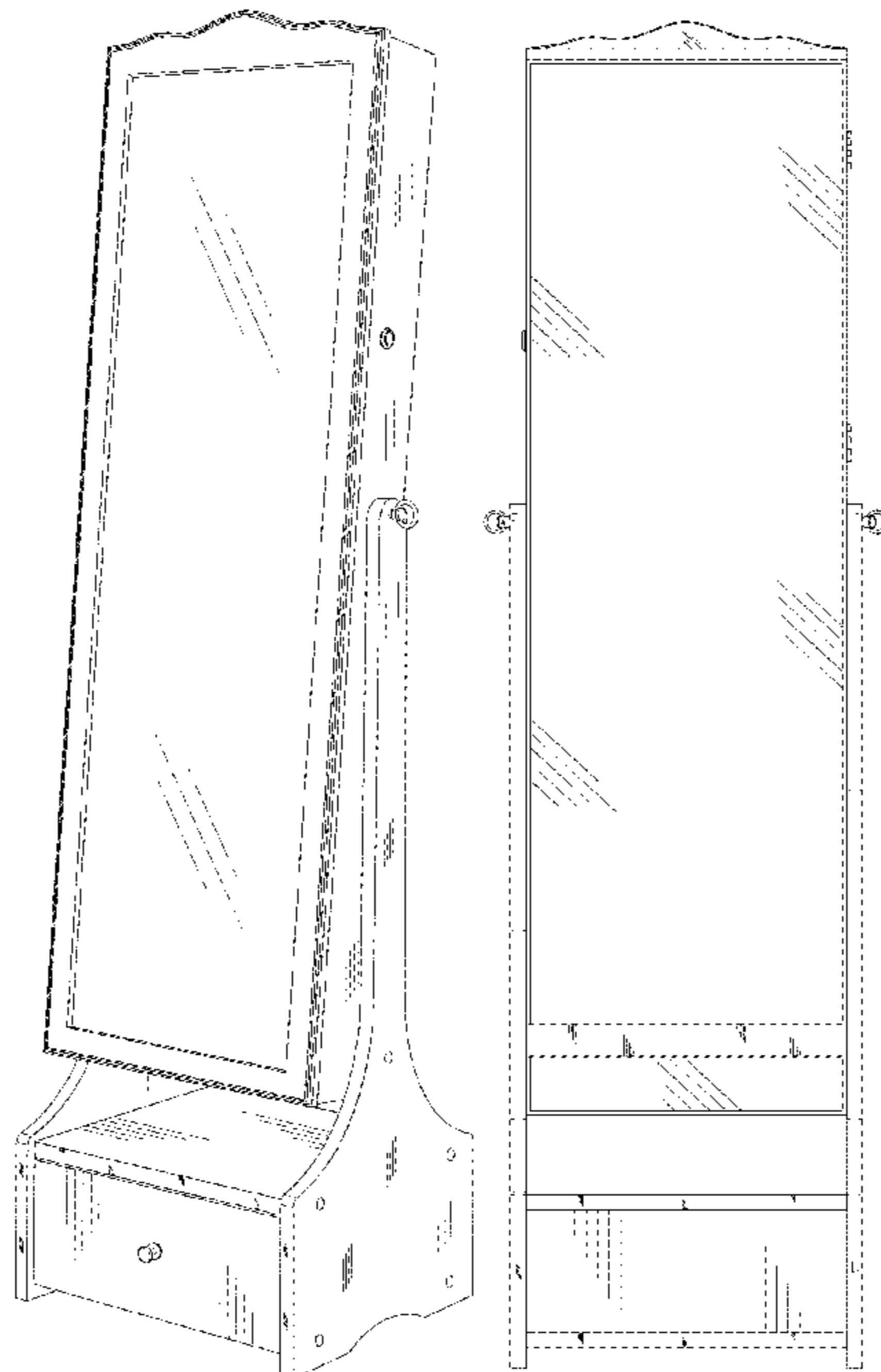
(57) **CLAIM**

The ornamental design for a freestanding jewelry armoire with mirror, as shown and described.

DESCRIPTION

FIG. 1 is a perspective view of a freestanding jewelry armoire with mirror showing my new design;
FIG. 2 is a front view thereof;
FIG. 3 is a rear view thereof;
FIG. 4 is a right side view thereof;
FIG. 5 is a left side view thereof;
FIG. 6 is a top view thereof;
FIG. 7 is a bottom view thereof;
FIG. 8 is a perspective view of a freestanding jewelry armoire with mirror shown in open position;
FIG. 9 is a front top perspective view of a freestanding jewelry armoire with mirror shown in open position, illustrating a flipping panel in an open position; and,
FIG. 10 is a front perspective view of a freestanding jewelry armoire with mirror shown in open position, illustrating a flipping panel in an open position.

1 Claim, 9 Drawing Sheets



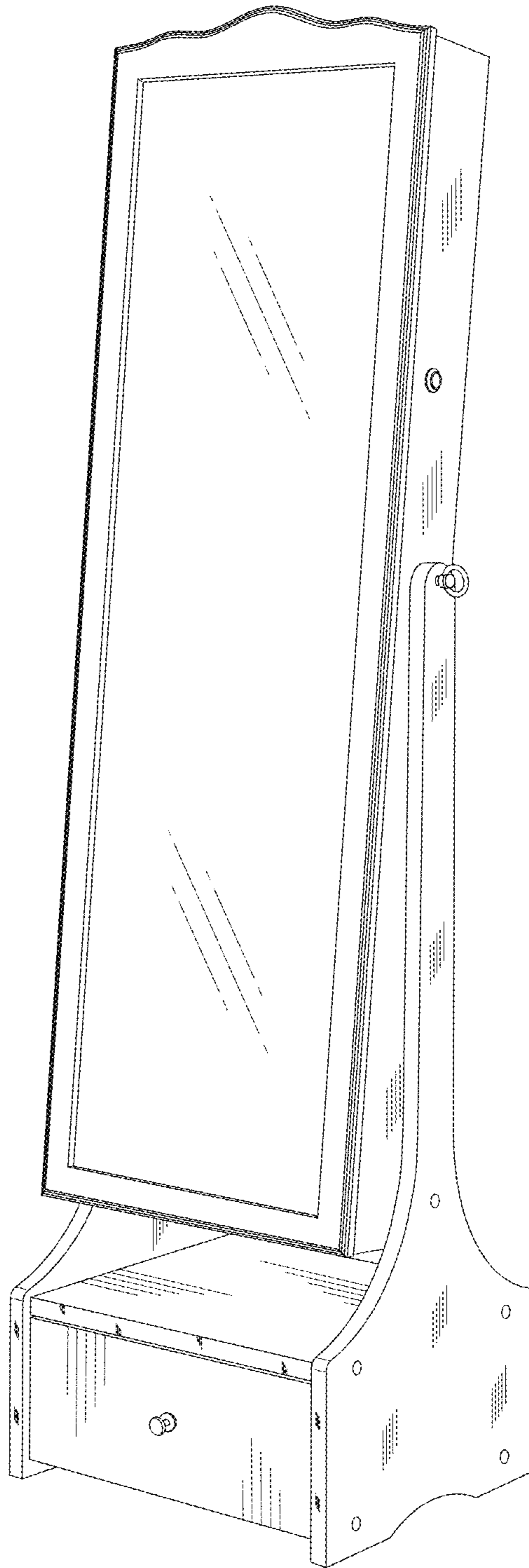


FIG. 1

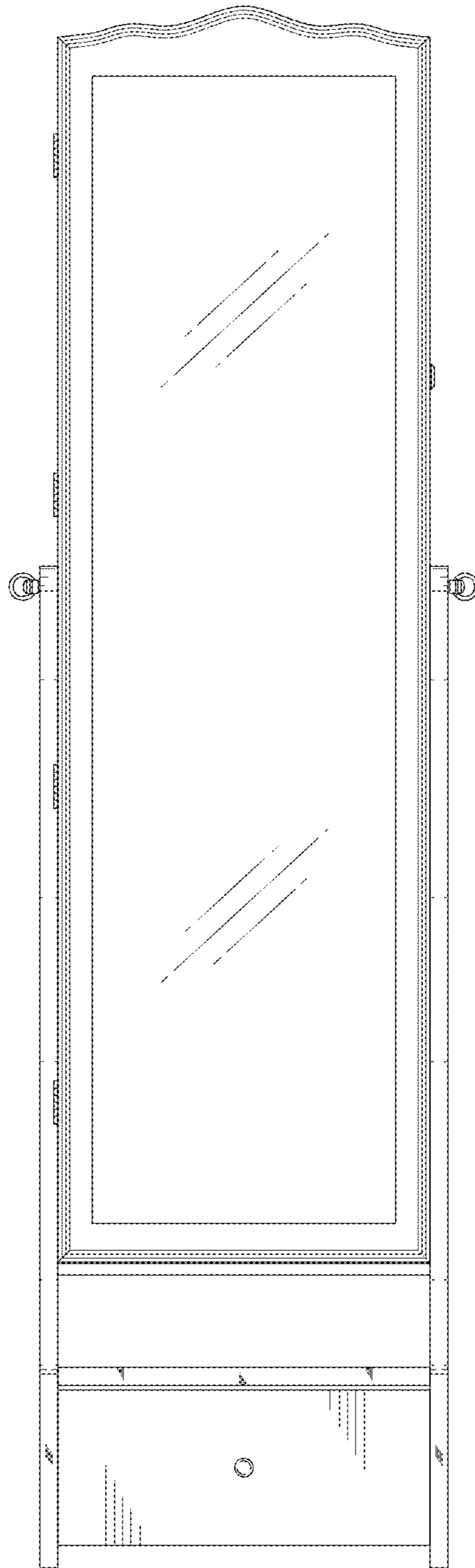


FIG.2

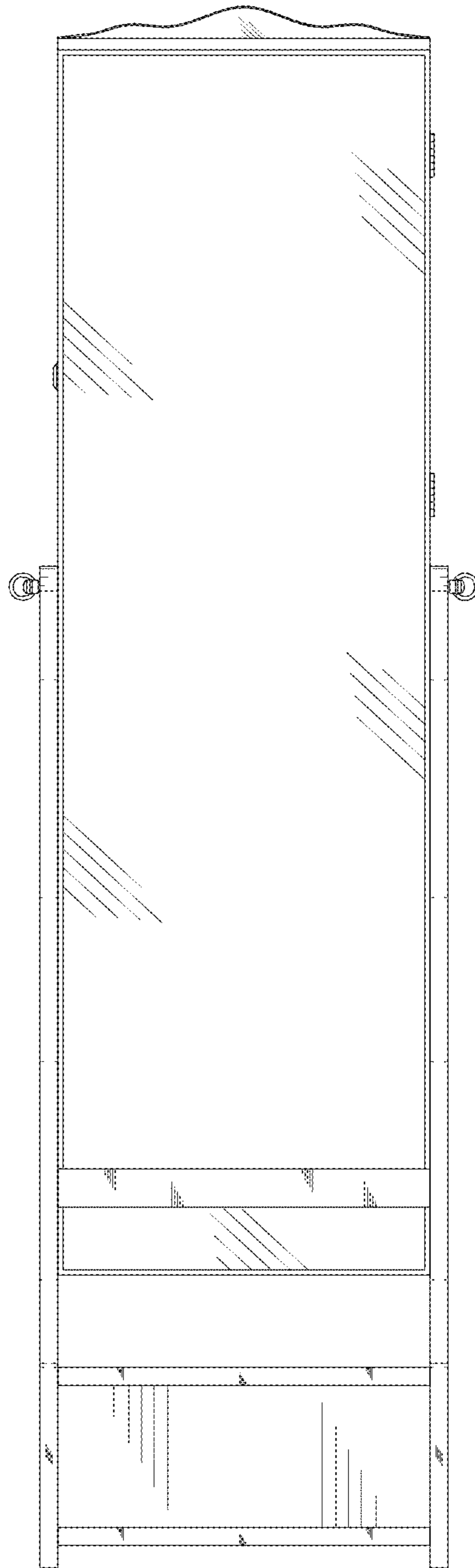


FIG. 3

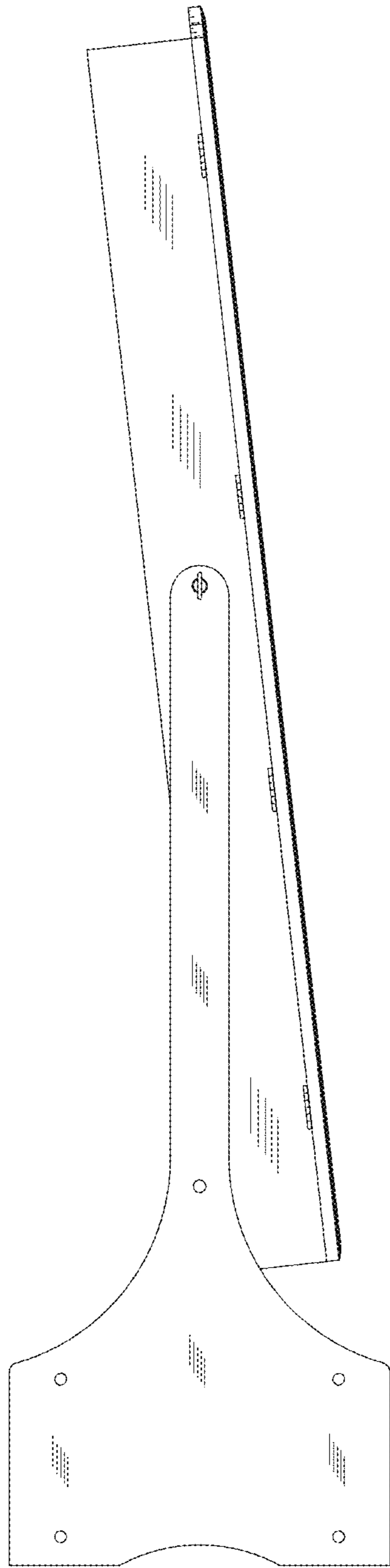


FIG. 4

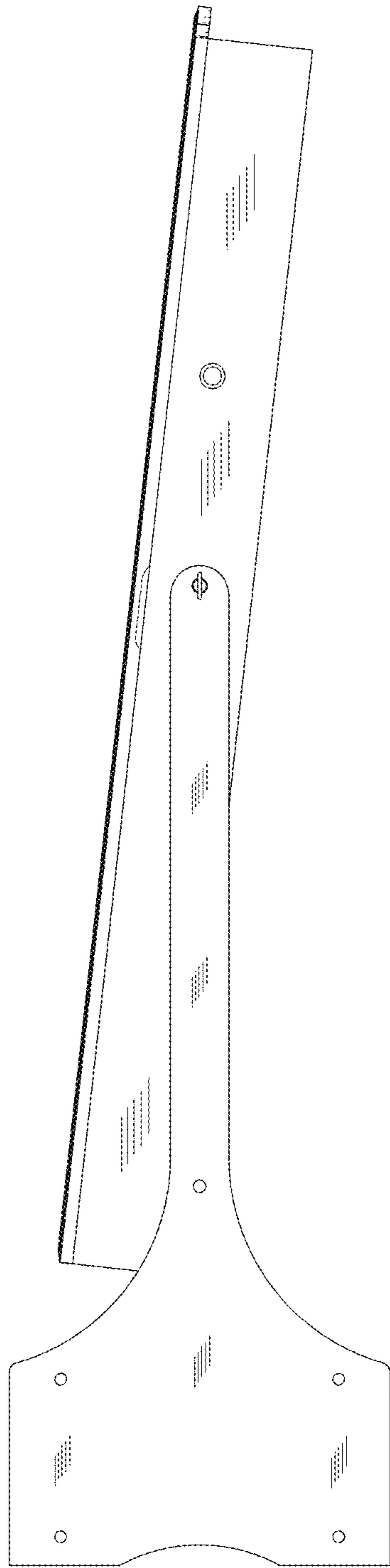


FIG. 5

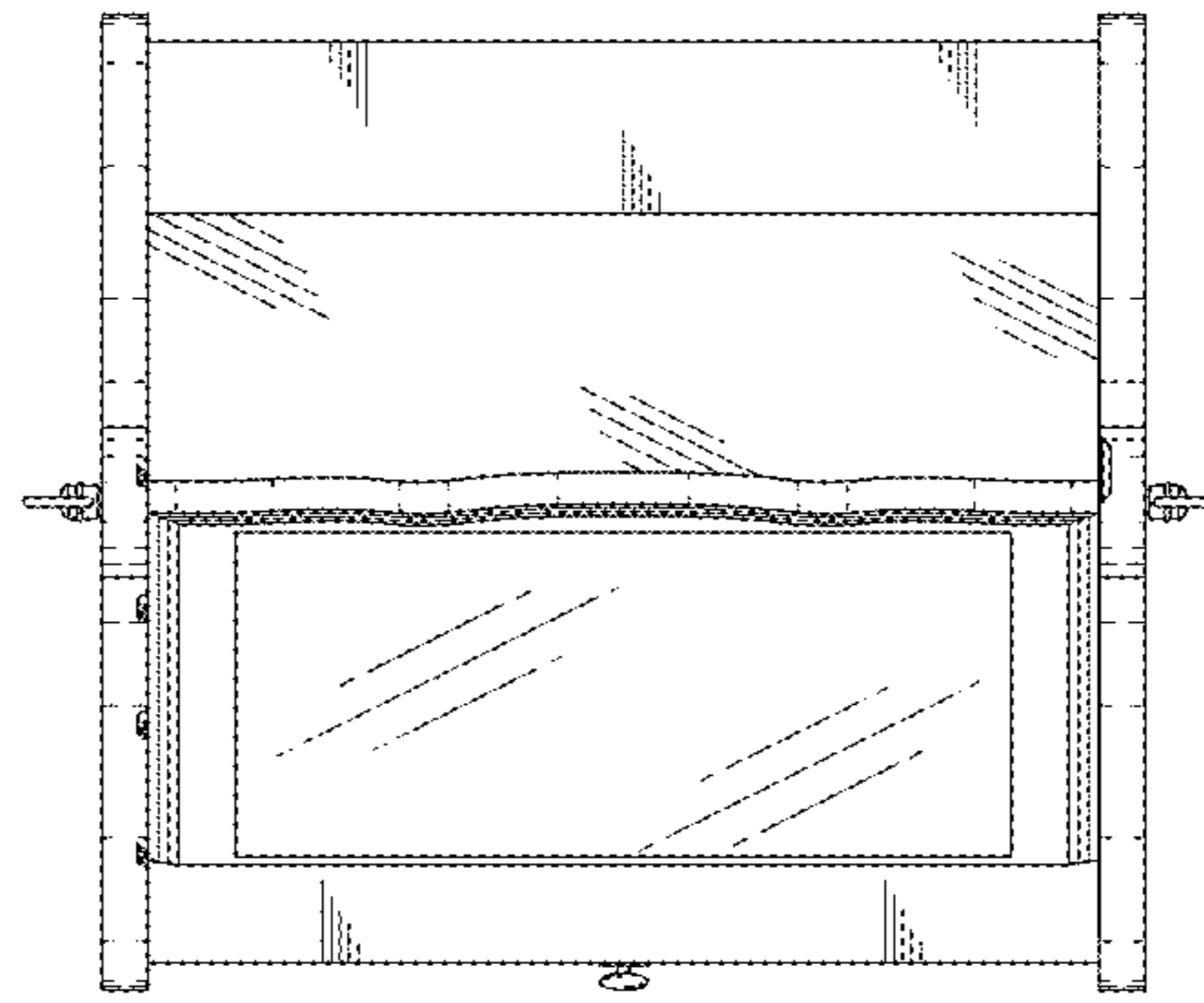


FIG. 6

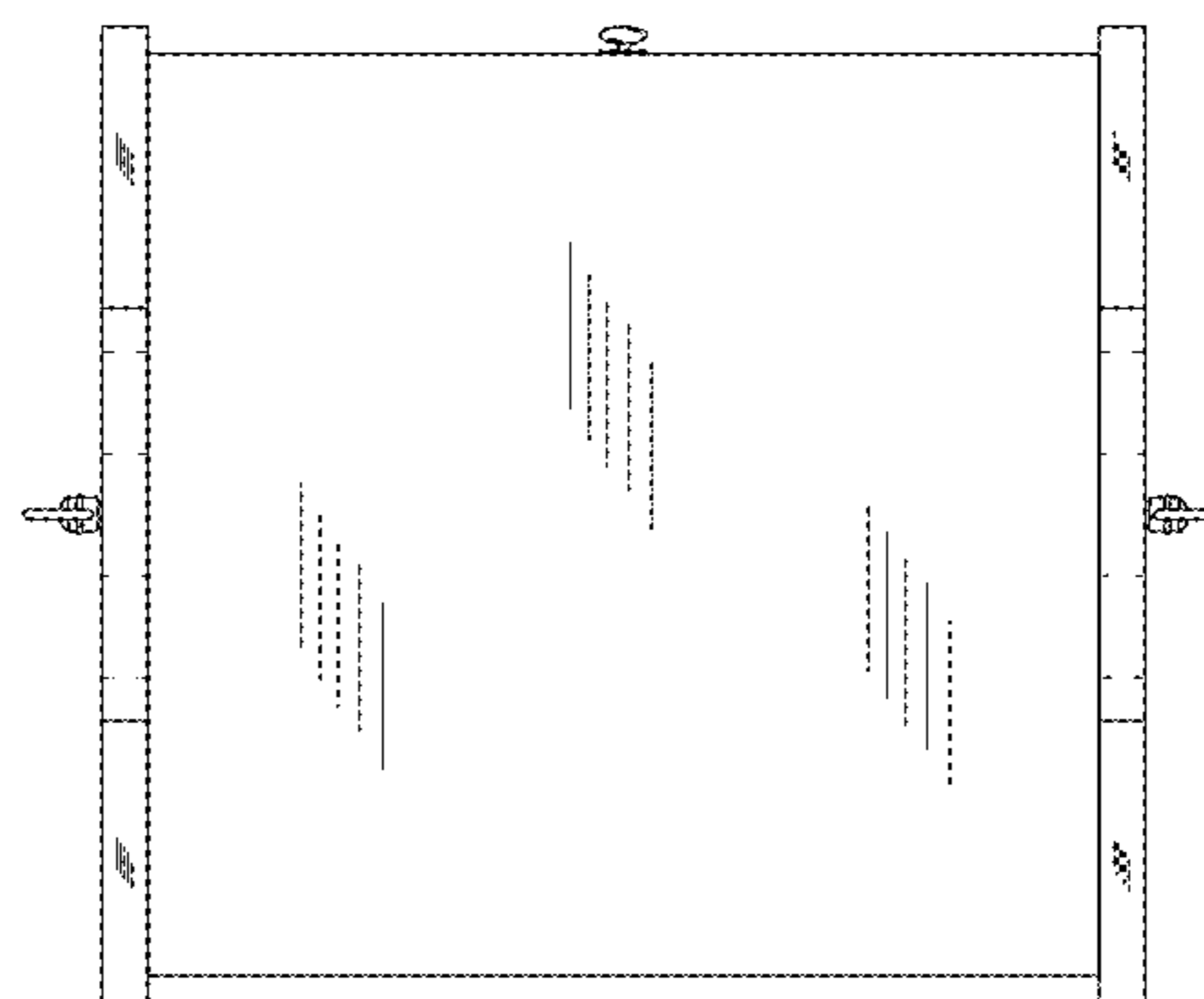


FIG. 7

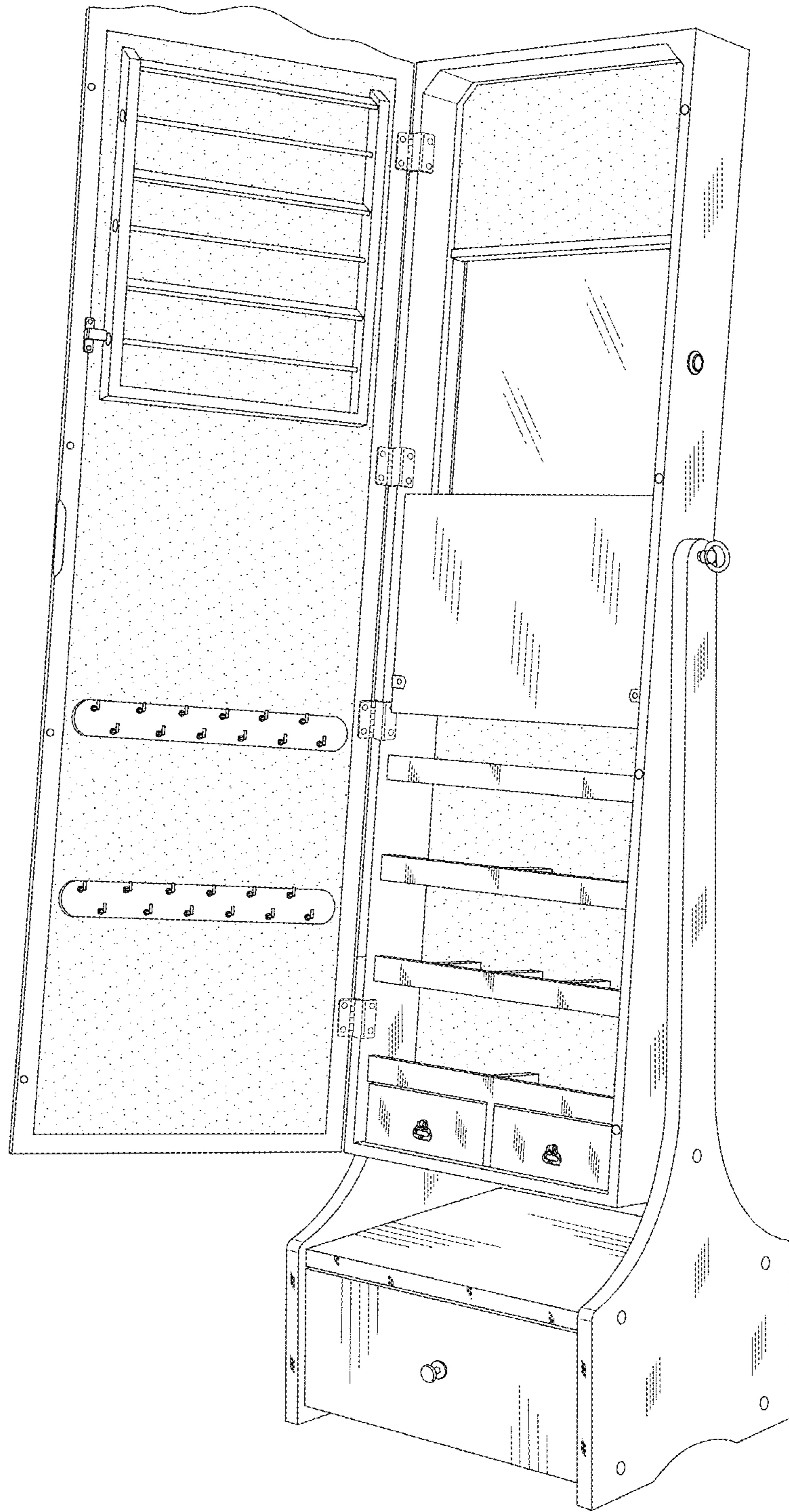


FIG. 8

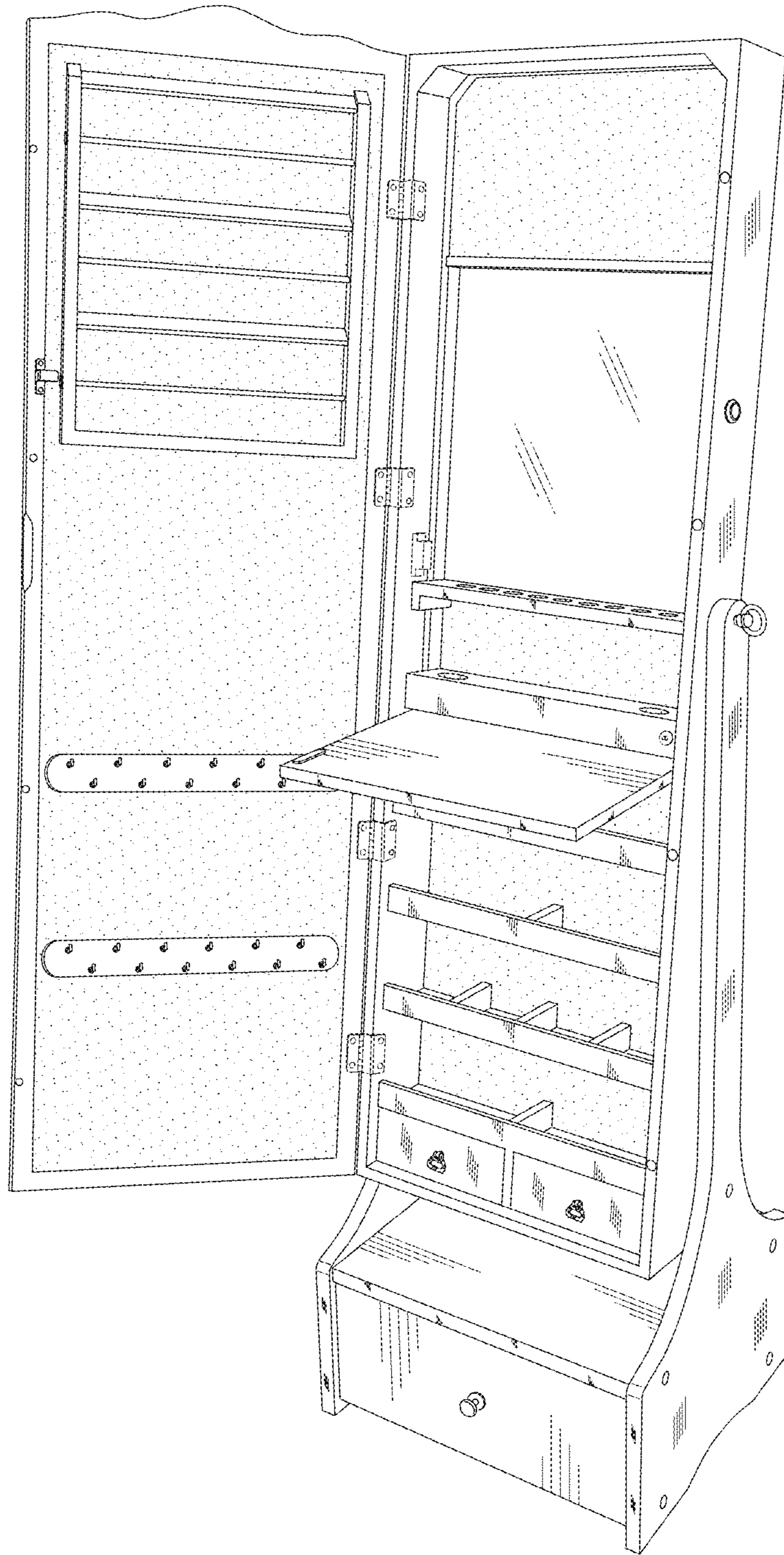


FIG. 9

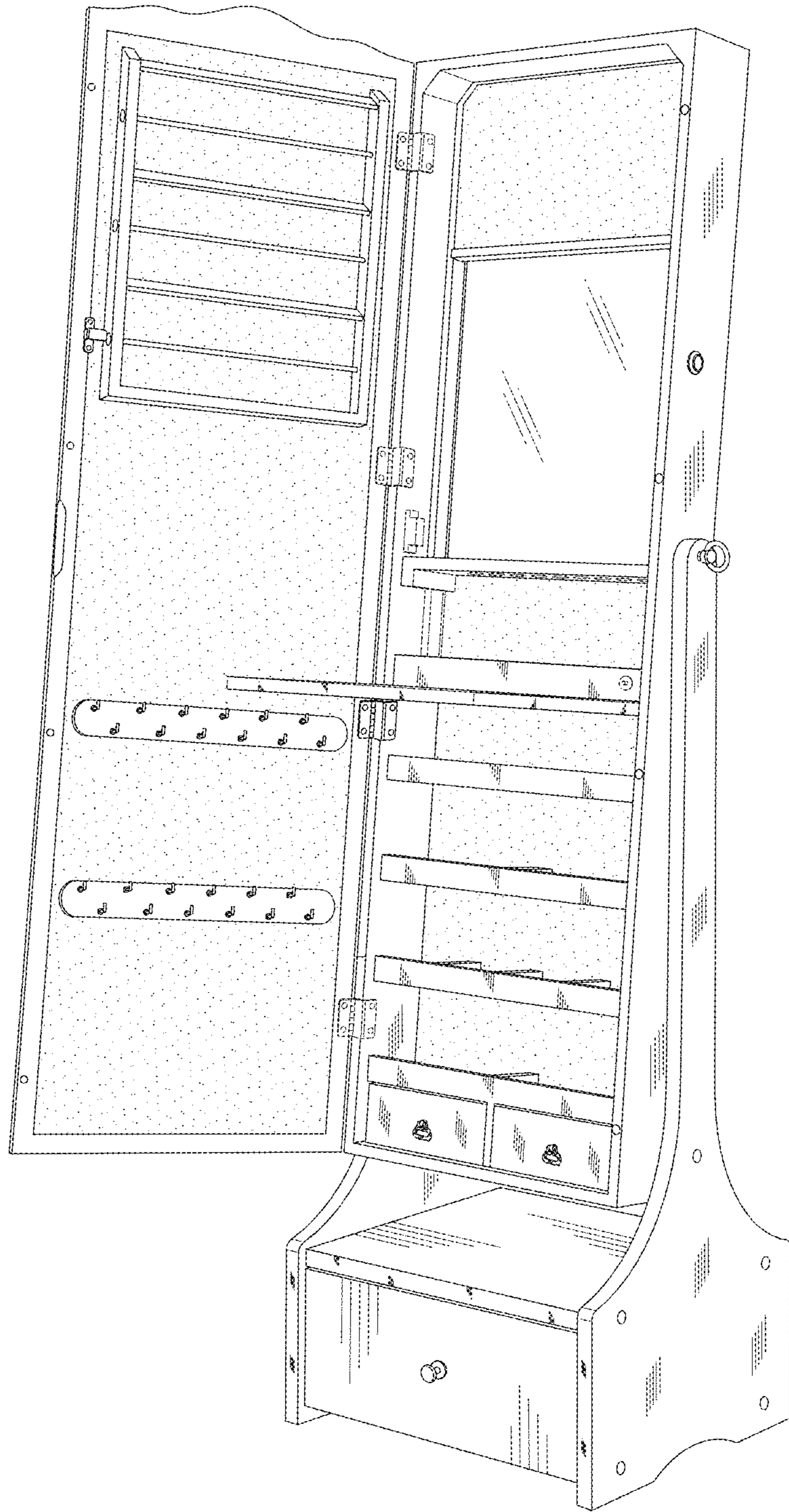


FIG. 10