



US00D882988S

(12) **United States Design Patent** (10) **Patent No.:** **US D882,988 S**
Hu (45) **Date of Patent:** **** May 5, 2020**

(54) **GAMING DESK WITH R SHAPED LEGS**
(71) Applicant: **Yajun Hu**, El Dorado Hills, CA (US)
(72) Inventor: **Yajun Hu**, El Dorado Hills, CA (US)
(73) Assignee: **YAJUN HU EUREKA LLC**, El Dorado Hills, CA (US)
(**) Term: **15 Years**

(21) Appl. No.: **29/660,791**

(22) Filed: **Aug. 22, 2018**

(51) **LOC (12) Cl.** **06-03**

(52) **U.S. Cl.**
USPC **D6/656.17**

(58) **Field of Classification Search**
USPC D6/647, 648, 648.2, 648.4, 653.17, 655, D6/655.1, 656, 656.11, 656.13, 656.16, D6/656.17, 686, 691, 691.5, 708, 713
CPC A47B 9/00; A47B 9/02; A47B 9/04; A47B 9/12; A47B 2200/0035; A47B 2200/005; A47B 2200/0056

See application file for complete search history.

(56) **References Cited**

U.S. PATENT DOCUMENTS

3,309,100 A * 3/1967 Barbuti B62B 3/14 280/33.996
D295,474 S * 5/1988 Uredat-Neuhoff D6/656.16
D336,394 S * 6/1993 Ball D6/656.13
D441,572 S * 5/2001 Deimen D6/656
D443,440 S * 6/2001 Deimen D6/656.16
D478,225 S 8/2003 Wang
D499,273 S 12/2004 Chang
D499,576 S 12/2004 Long
D507,902 S * 8/2005 Cioncada D6/647
D522,283 S * 6/2006 Schiefer D6/708
D526,812 S 8/2006 Chen
D547,970 S 8/2007 Chou

D549,009 S 8/2007 Lin
D552,884 S * 10/2007 Saotome D6/656
D552,885 S * 10/2007 Saotome D6/656
D582,180 S * 12/2008 Eustace D6/694
D626,767 S * 11/2010 Lucci D6/708
D671,339 S * 11/2012 Nakamura D6/691
D676,689 S * 2/2013 Matsushita D6/691
D681,979 S * 5/2013 Keen D6/691
D685,596 S * 7/2013 Hendrick D6/691.5
D695,557 S * 12/2013 Carretta D6/708
D716,588 S * 11/2014 Hara D6/656.16
9,591,919 B2 3/2017 Ergun et al.
9,635,932 B2 5/2017 Kelley et al.
D806,446 S * 1/2018 Benden D6/656

(Continued)

OTHER PUBLICATIONS

“Eureka Ergonomic Gaming Desk R1-S.” Found online Feb. 20, 2020 at [www.amazon.com](https://www.amazon.com/dp/B07GJTWSNR?tag=techlounge0f-20&linkCode=ogi&th=1&psc=1). Product first available Aug. 31, 2018. Retrieved from URL: <https://www.amazon.com/dp/B07GJTWSNR?tag=techlounge0f-20&linkCode=ogi&th=1&psc=1> (Year: 2018).*

(Continued)

Primary Examiner — Mary Ann Calabrese
Assistant Examiner — Katelin G Kloberg

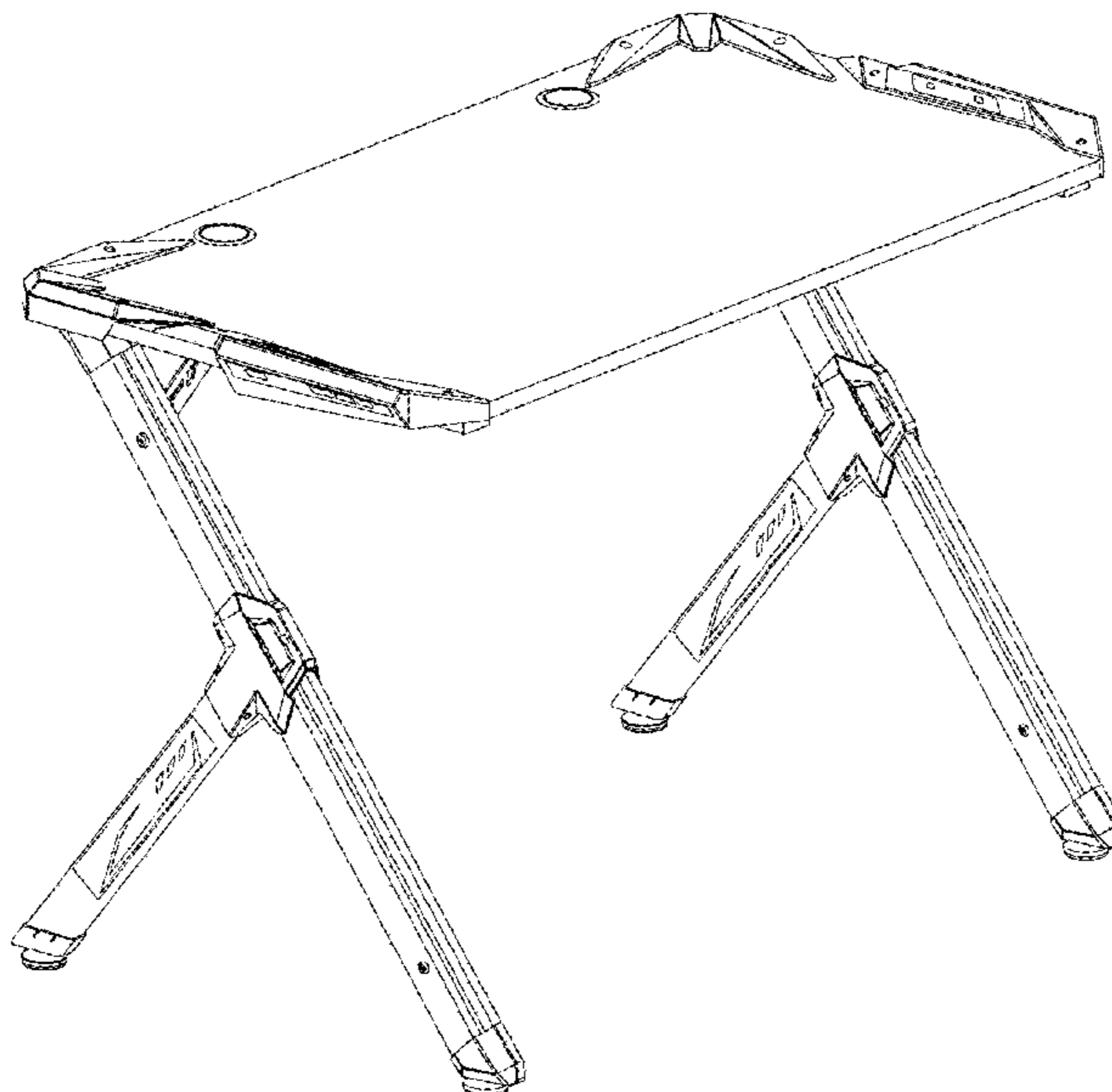
(57) **CLAIM**

The ornamental design for a gaming desk with R shaped legs, as shown and described.

DESCRIPTION

FIG. 1 is a perspective view of the gaming desk with R shaped legs, showing my new design;
FIG. 2 is a front view thereof;
FIG. 3 is a bottom view thereof;
FIG. 4 is a top view thereof;
FIG. 5 is a rear side view thereof;
FIG. 6 is a left side view thereof; and,
FIG. 7 is a right side view thereof.

1 Claim, 7 Drawing Sheets



(56)

References Cited

U.S. PATENT DOCUMENTS

D829,474 S * 10/2018 Neri D6/686
D861,381 S * 10/2019 Hu D6/656.11
D861,383 S * 10/2019 Hu D6/656.17
D862,128 S * 10/2019 Hu D6/656.11
D865,405 S * 11/2019 Hu D6/656.16
D873,586 S * 1/2020 Chang D6/656.16
D875,441 S * 2/2020 Duan D6/655.18
2018/0206630 A1 * 7/2018 Chang A47B 13/081

OTHER PUBLICATIONS

“Gaming Desk Table Racing Computer Table.” Found online Feb. 20, 2020 at www.amazon.co.uk. Product first available Aug. 27, 2019. Retrieved from URL: <https://www.amazon.co.uk/Gaming-Racing-Computer-R-Shaped-Headphone/dp/B07X1VQ37W> (Year: 2019).*

“Raidmax Desktop Gamer Drakon LED.” Found online Feb. 20, 2020 at www.amazon.com.mx. Product first available Mar. 16, 2019. Retrieved from URL: <https://www.amazon.com.mx/RAIDMAX-Escritorio-Drakon-Blanco-PK101WT/dp/B07M5BD3XZ> (Year: 2019).*

“DXRacer Office Gaming Desk.” Found online Feb. 20, 2020 at www.amazon.ca. Product first available Oct. 19, 2014. Retrieved from URL: <https://www.amazon.ca/DXRacer-1000-computer-Ergonomic-Comfortable/dp/B00UHOCKFM> (Year: 2014).*

“Kinsal Blade Series Gaming Style Computer Desk.” Found online Feb. 20, 2020 at www.amazon.com. Product first available Dec. 3, 2018. Retrieved from URL: <https://www.amazon.com/Kinsal-Gaming-Computer-Office-Student/dp/B07L2W2KQ6> (Year: 2018).*

* cited by examiner

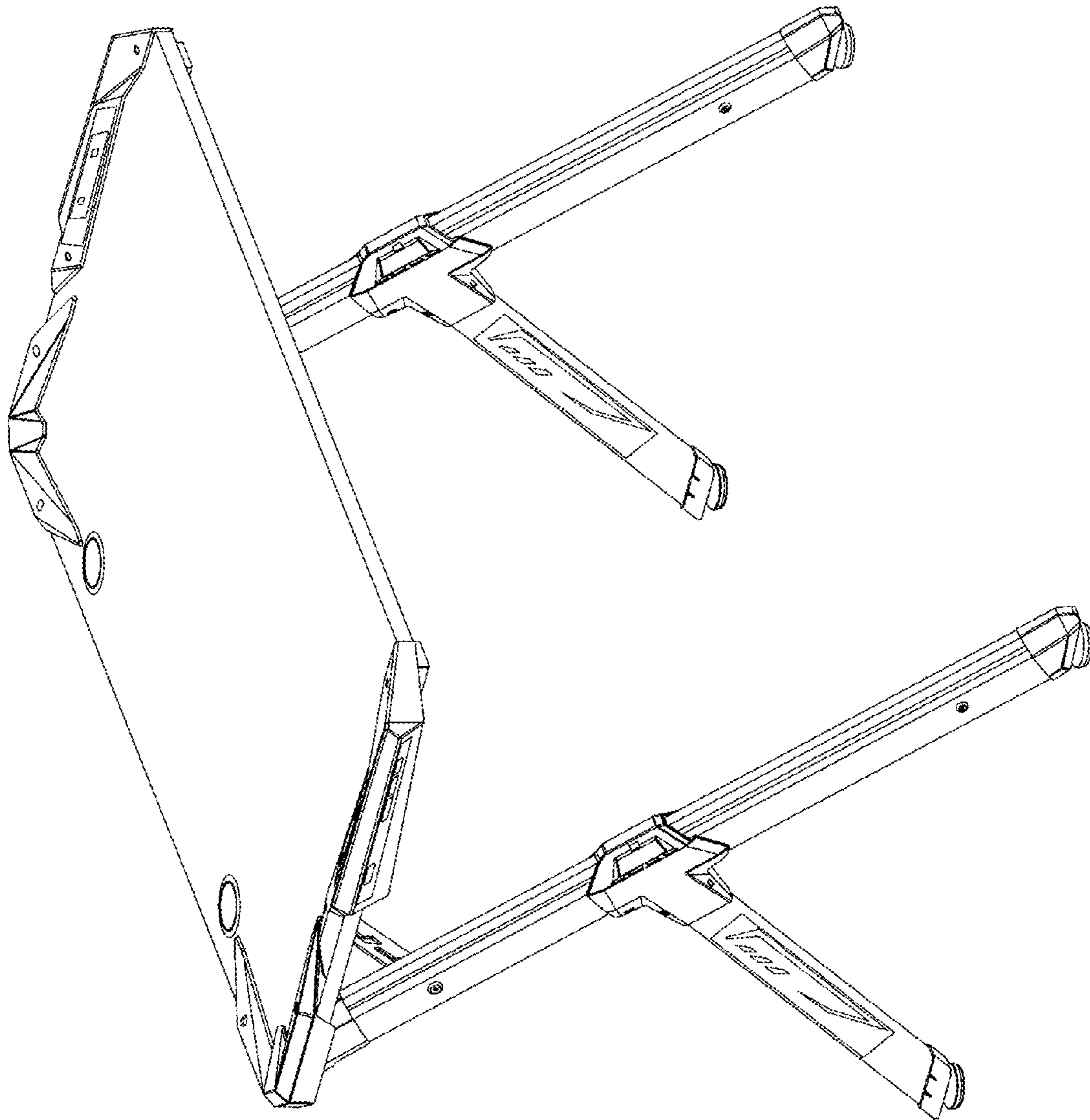


FIG.1

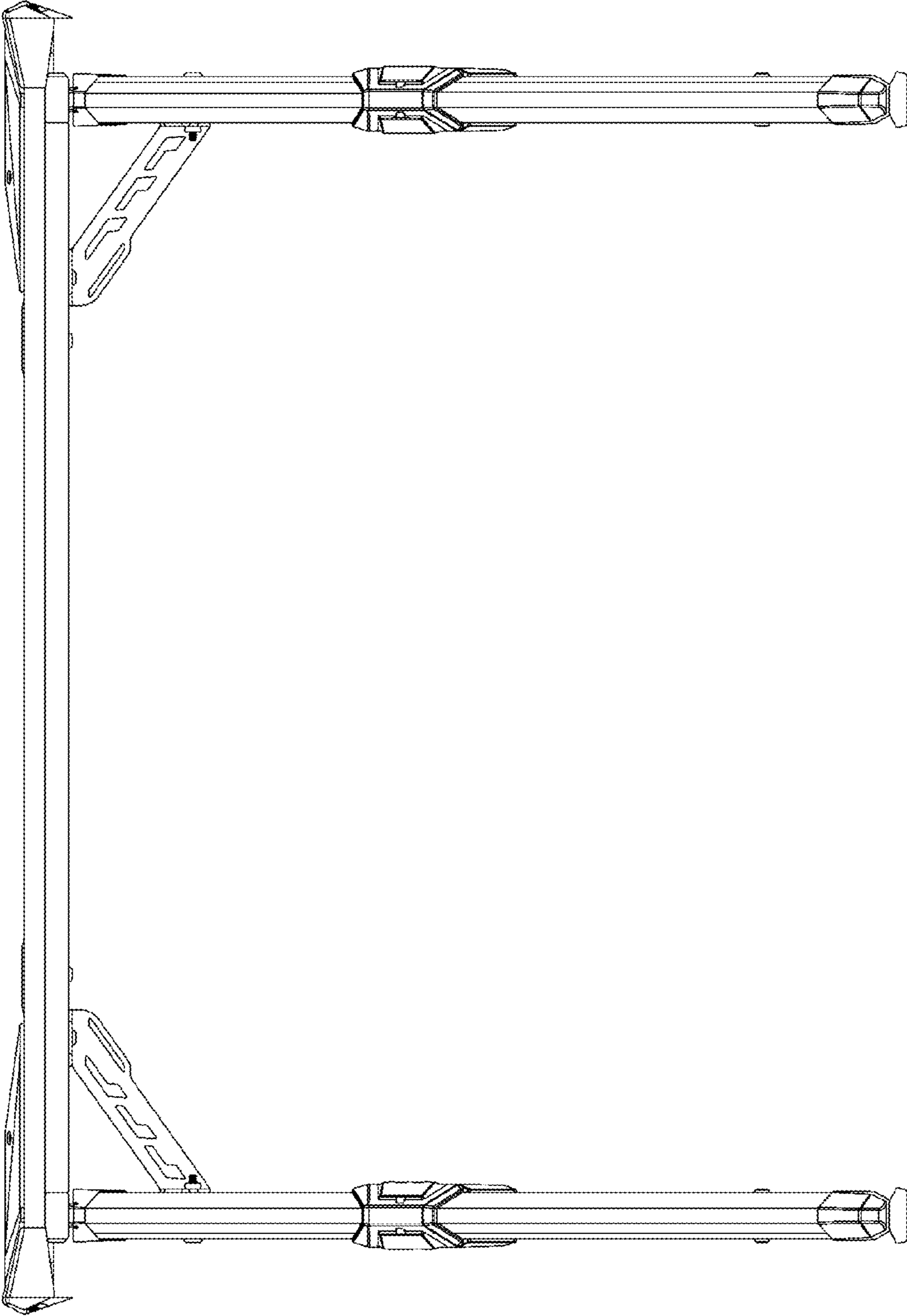


FIG.2

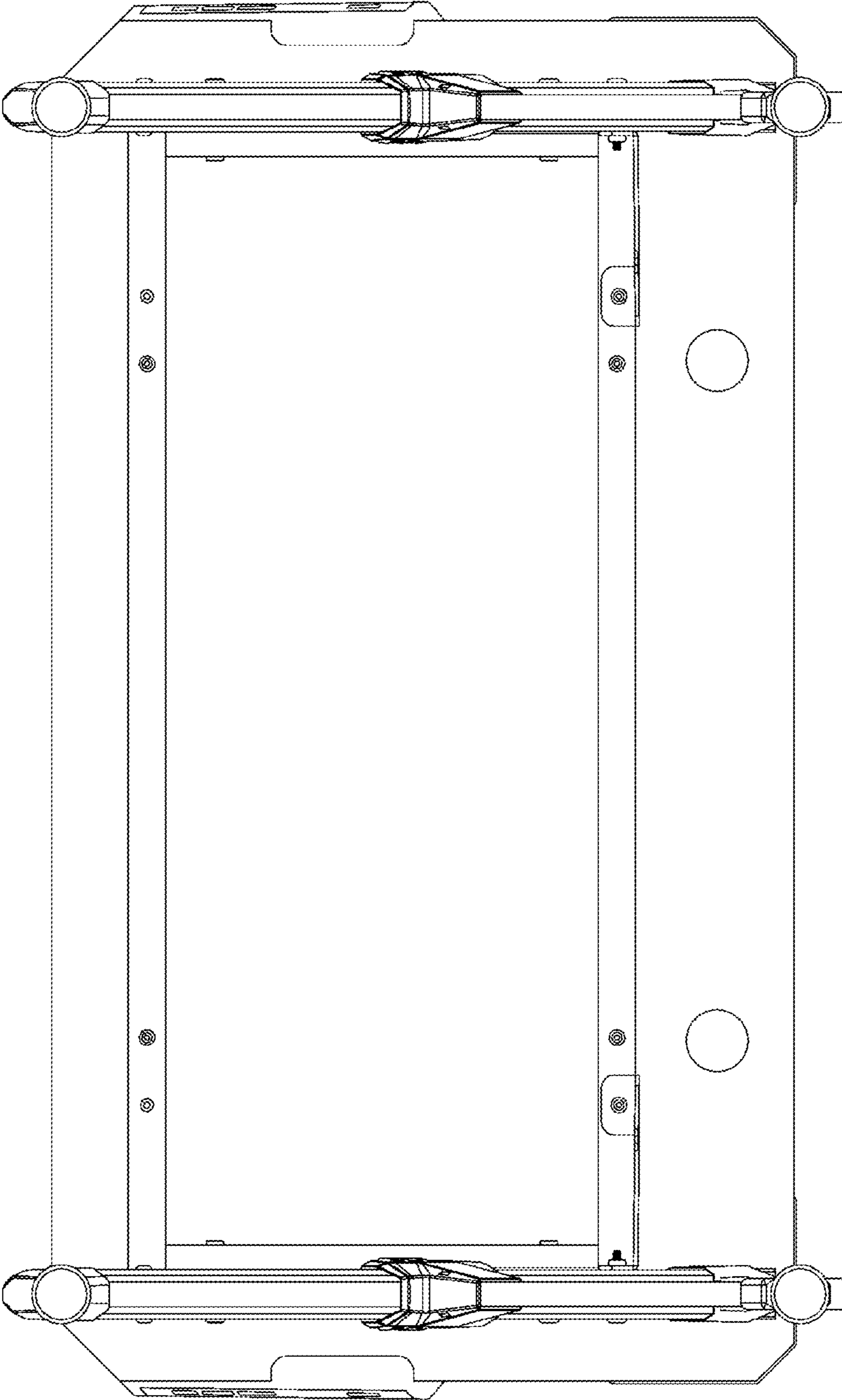


FIG.3

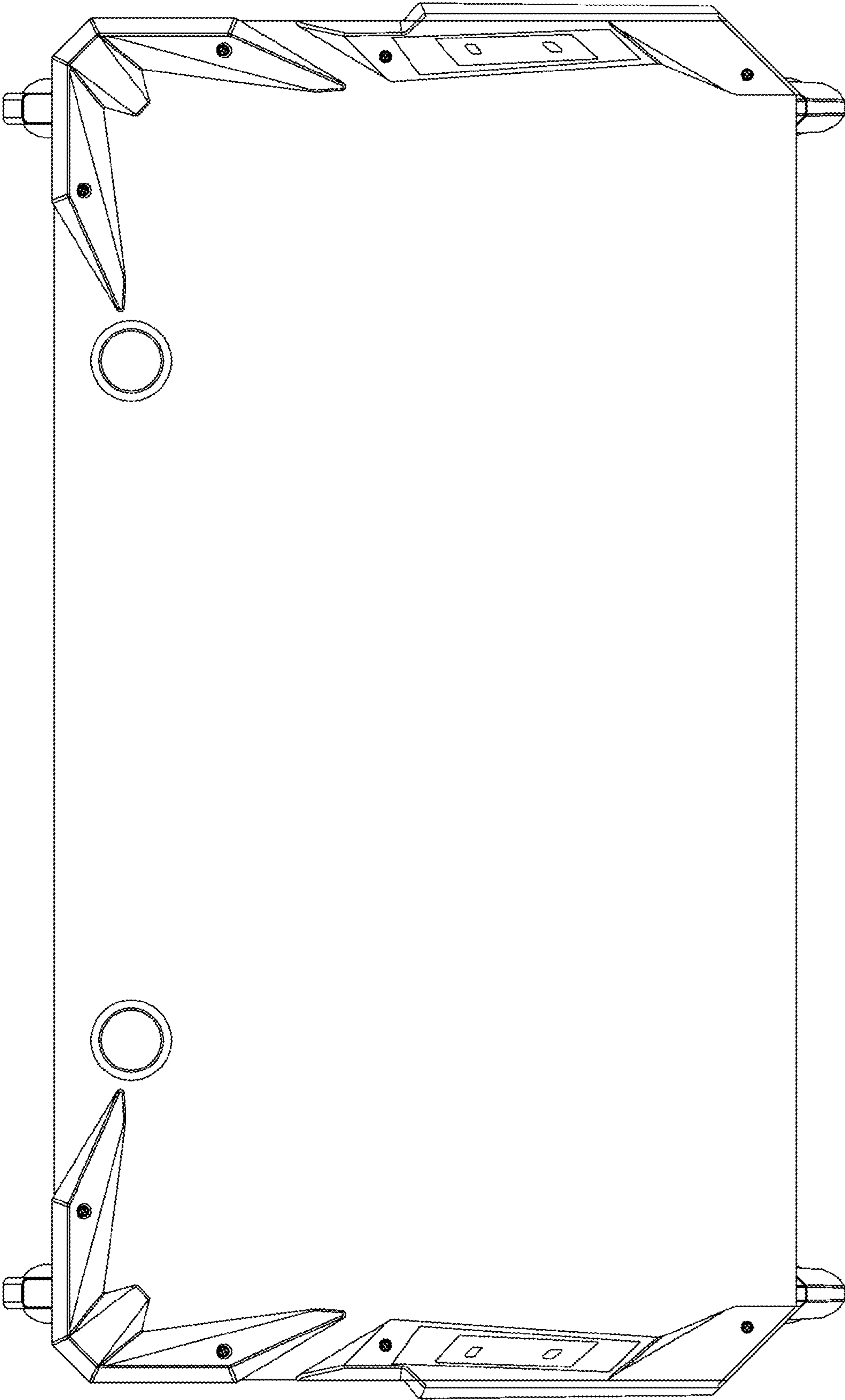


FIG.4

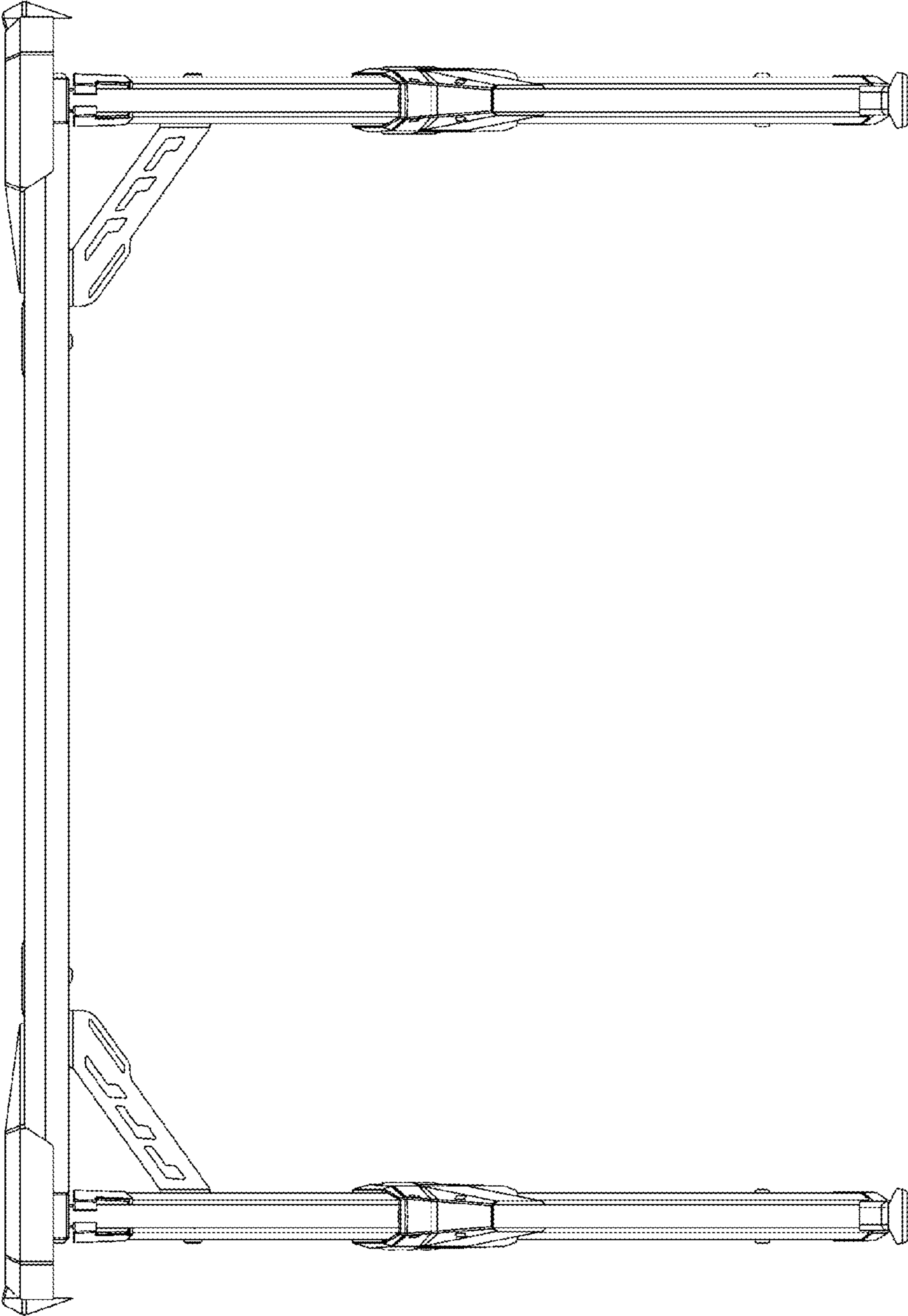


FIG.5

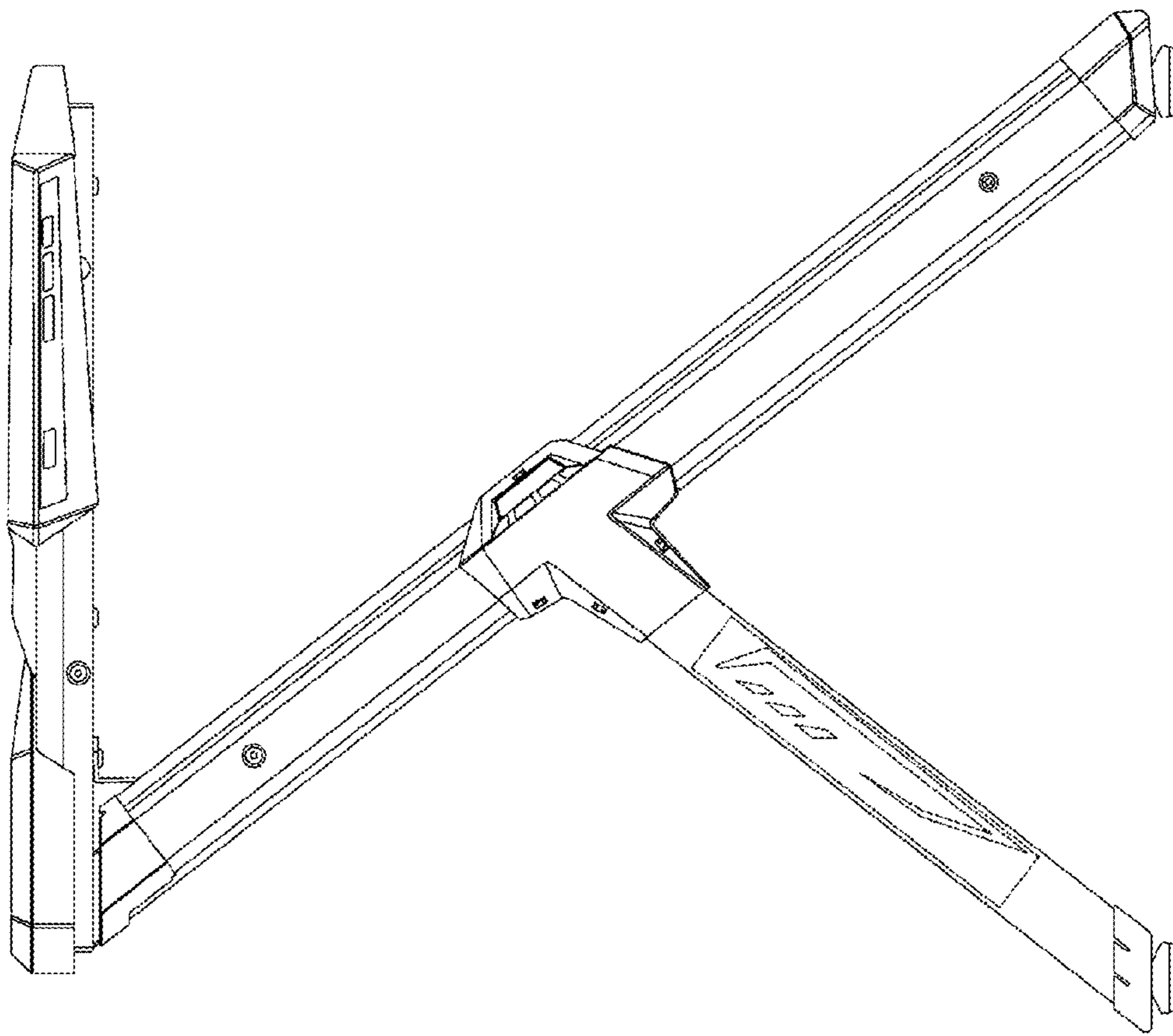


FIG.6

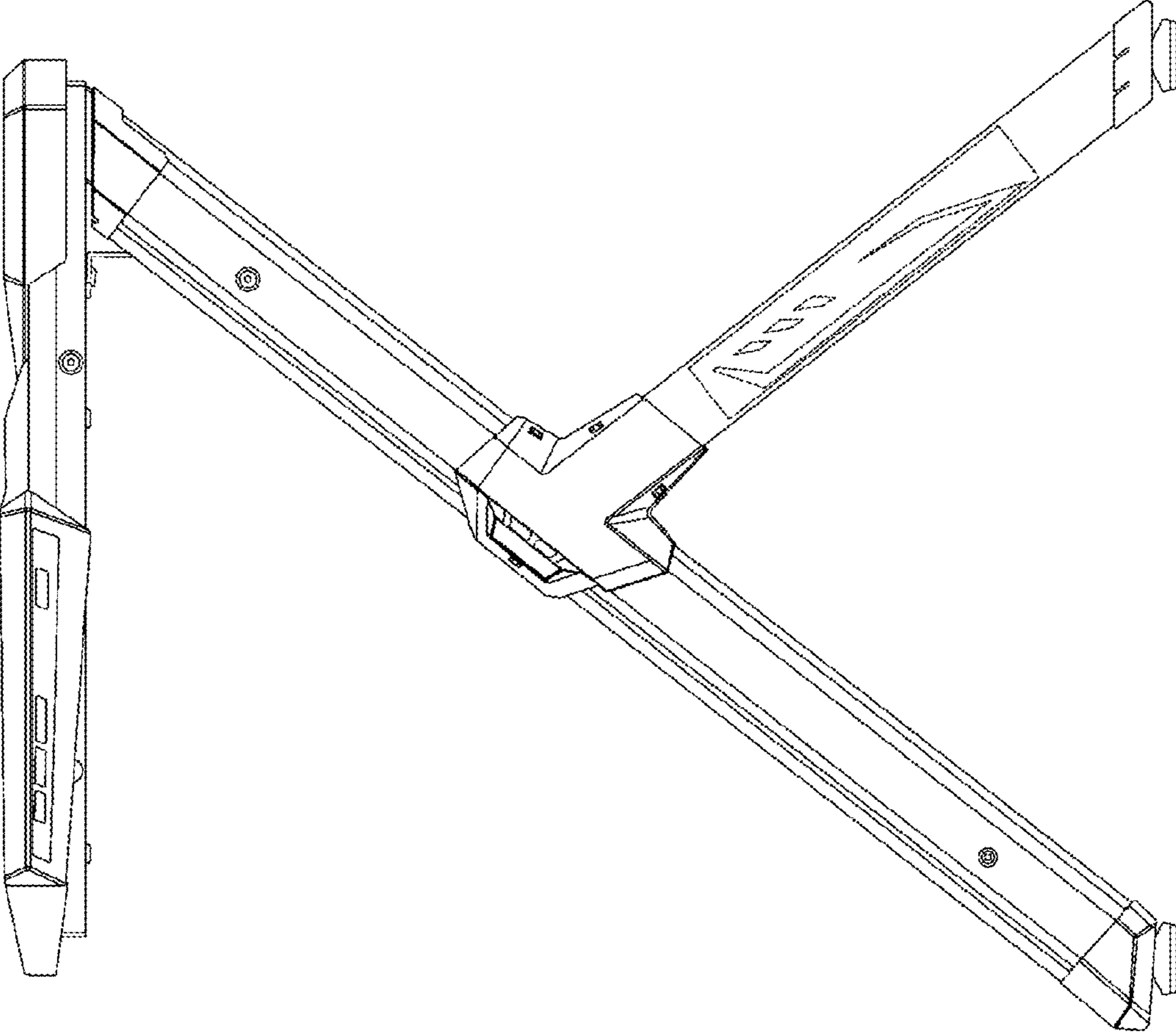


FIG.7