



US00D882987S

(12) **United States Design Patent** (10) **Patent No.:** **US D882,987 S**
Hu (45) **Date of Patent:** **** May 5, 2020**

- (54) **ULTRA-THIN PNEUMATIC HEIGHT ADJUSTABLE DESK**
- (71) Applicant: **Yajun Hu**, El Dorado Hills, CA (US)
- (72) Inventor: **Yajun Hu**, El Dorado Hills, CA (US)
- (73) Assignees: **Yajun Hu**, El Dorado Hills, CA (US);
Eureka LLC, El Dorado Hills, CA (US)
- (**) Term: **15 Years**
- (21) Appl. No.: **29/659,278**
- (22) Filed: **Aug. 7, 2018**
- (51) **LOC (12) Cl.** **06-03**
- (52) **U.S. Cl.**
USPC **D6/656**
- (58) **Field of Classification Search**
USPC D6/353, 368, 642, 644, 649, 651, 655,
D6/655.1, 655.11, 655.12, 655.13, 655.14,
D6/655.15, 655.16, 655.17, 655.18, 655.2,
D6/655.21, 656, 656.11, 656.13, 656.15,
D6/656.16, 656.17, 656.19, 657, 663,
D6/686, 691, 709
CPC A47B 81/00; A47B 88/00; A47B 88/41;
A47B 88/42; A47B 2210/16; B62B 3/00;
B60B 33/00
See application file for complete search history.

D547,970 S	8/2007	Chou	
D549,009 S	8/2007	Lin	
9,326,598 B1 *	5/2016	West	A47B 3/02
9,591,919 B2	3/2017	Ergun et al.	
9,615,655 B1 *	4/2017	Huang	A47B 9/16
9,635,932 B2	5/2017	Kelley et al.	
D815,473 S *	4/2018	Westergard	D6/686
10,244,861 B1 *	4/2019	Poniatowski	A47B 9/16
D859,037 S *	9/2019	Martin	D6/656
D864,619 S *	10/2019	Hu	D6/655
2010/0012909 A1 *	1/2010	Lee	B66F 7/065 254/93 R
2016/0338486 A1 *	11/2016	Martin	A47B 9/16
2018/0055214 A1 *	3/2018	Kim	A47B 9/18
2018/0103752 A1 *	4/2018	Zhong	A47B 9/16
2018/0146775 A1 *	5/2018	You	A47B 9/16
2018/0177289 A1 *	6/2018	Chen	A47B 21/0314
2020/0015584 A1 *	1/2020	Fletcher-Price	A47B 23/044

* cited by examiner

Primary Examiner — Mary Ann Calabrese
Assistant Examiner — Catherine Ho

(57) **CLAIM**

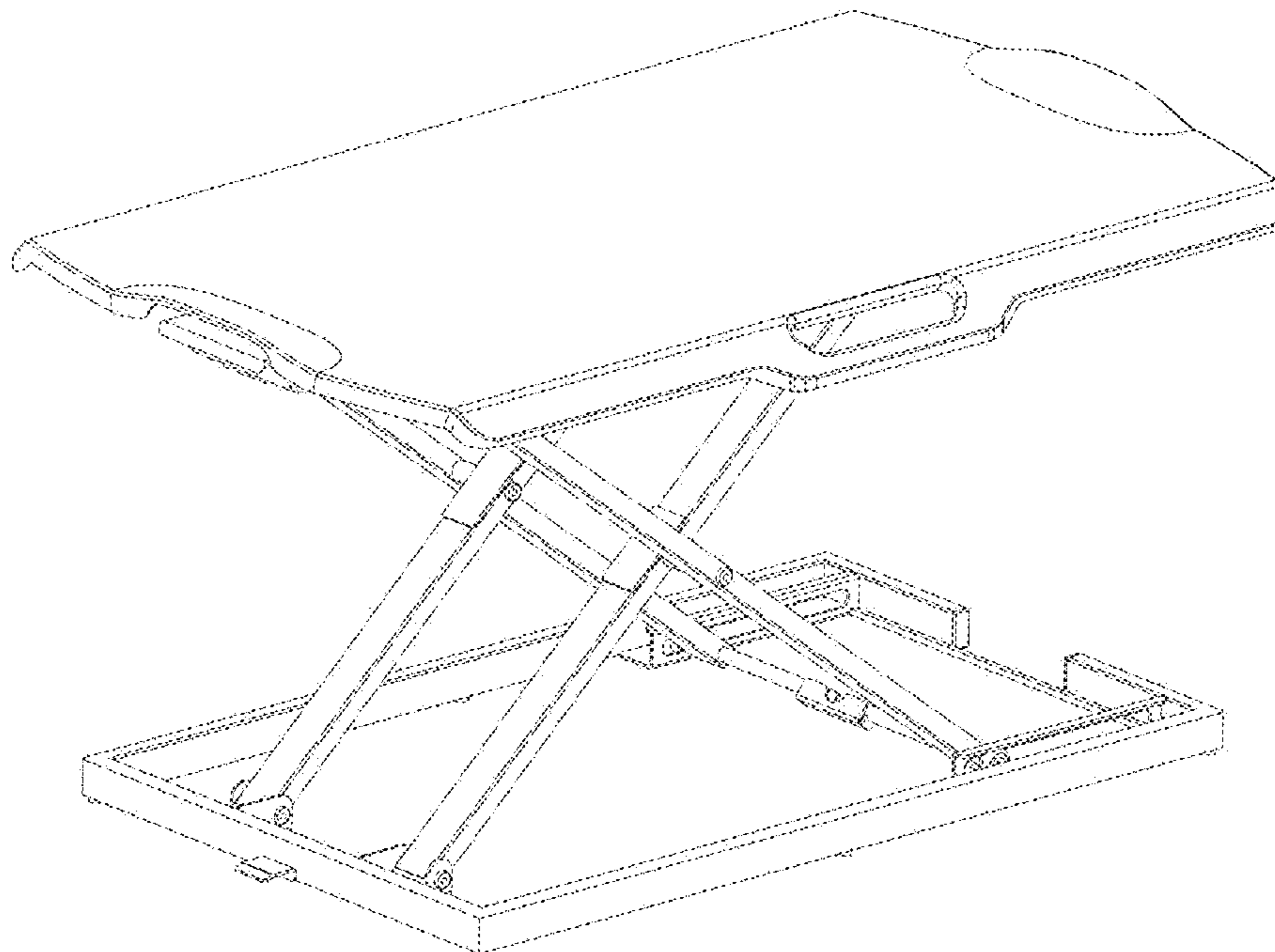
The ornamental design for an ultra-thin pneumatic height adjustable desk, as shown and described.

DESCRIPTION

FIG. 1 is a top perspective view of an ultra-thin pneumatic height adjustable desk, showing my new design;
FIG. 2 is a bottom perspective thereof;
FIG. 3 is a front view thereof;
FIG. 4 is a bottom view thereof;
FIG. 5 is a top view thereof;
FIG. 6 is a rear side view thereof;
FIG. 7 is a left side view thereof; and,
FIG. 8 is a right side view thereof.

1 Claim, 8 Drawing Sheets

- (56) **References Cited**
U.S. PATENT DOCUMENTS
D478,225 S 8/2003 Wang
D499,273 S 12/2004 Chang
D499,576 S 12/2004 Long
D526,812 S 8/2006 Chen



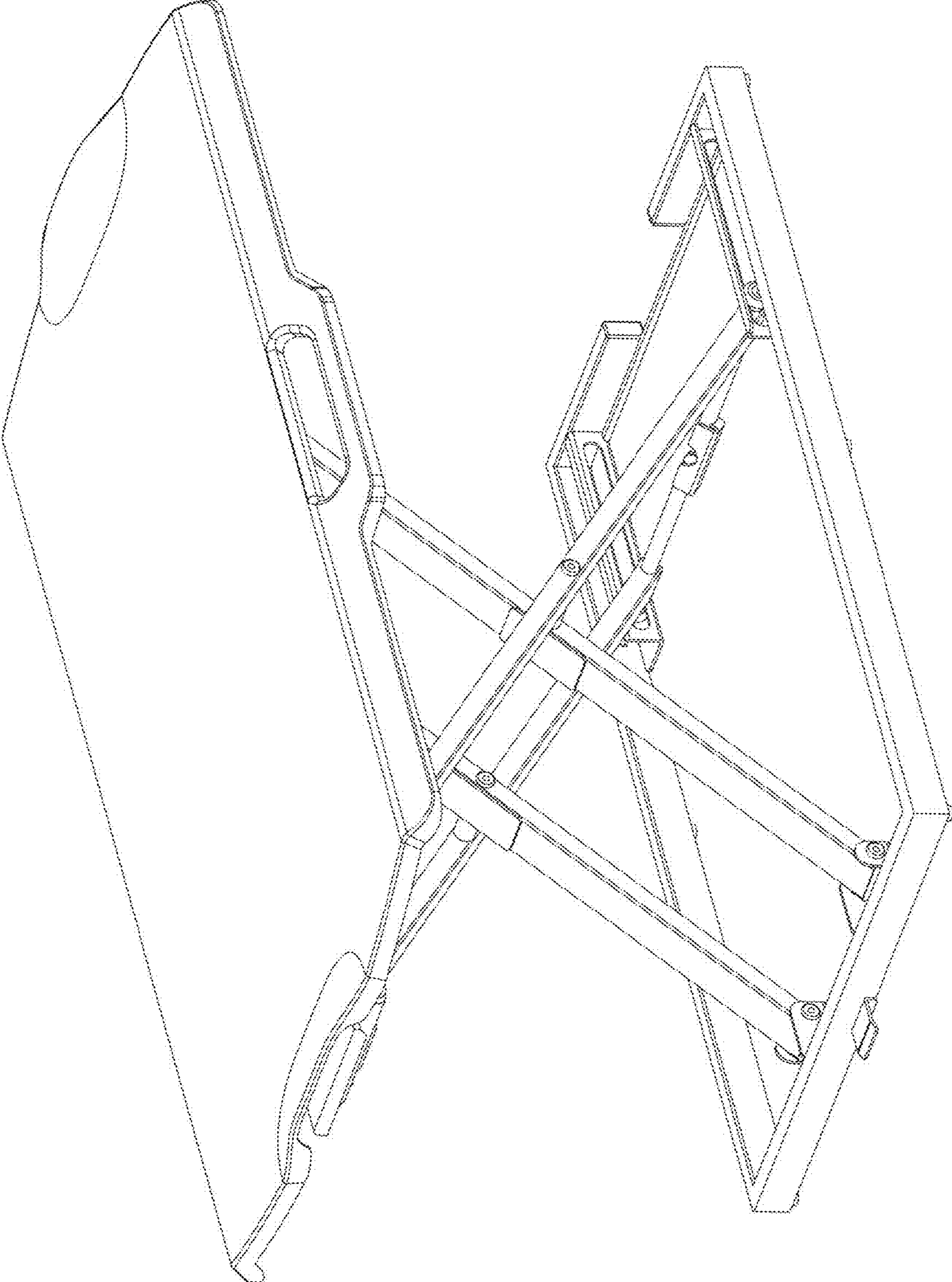


FIG.1

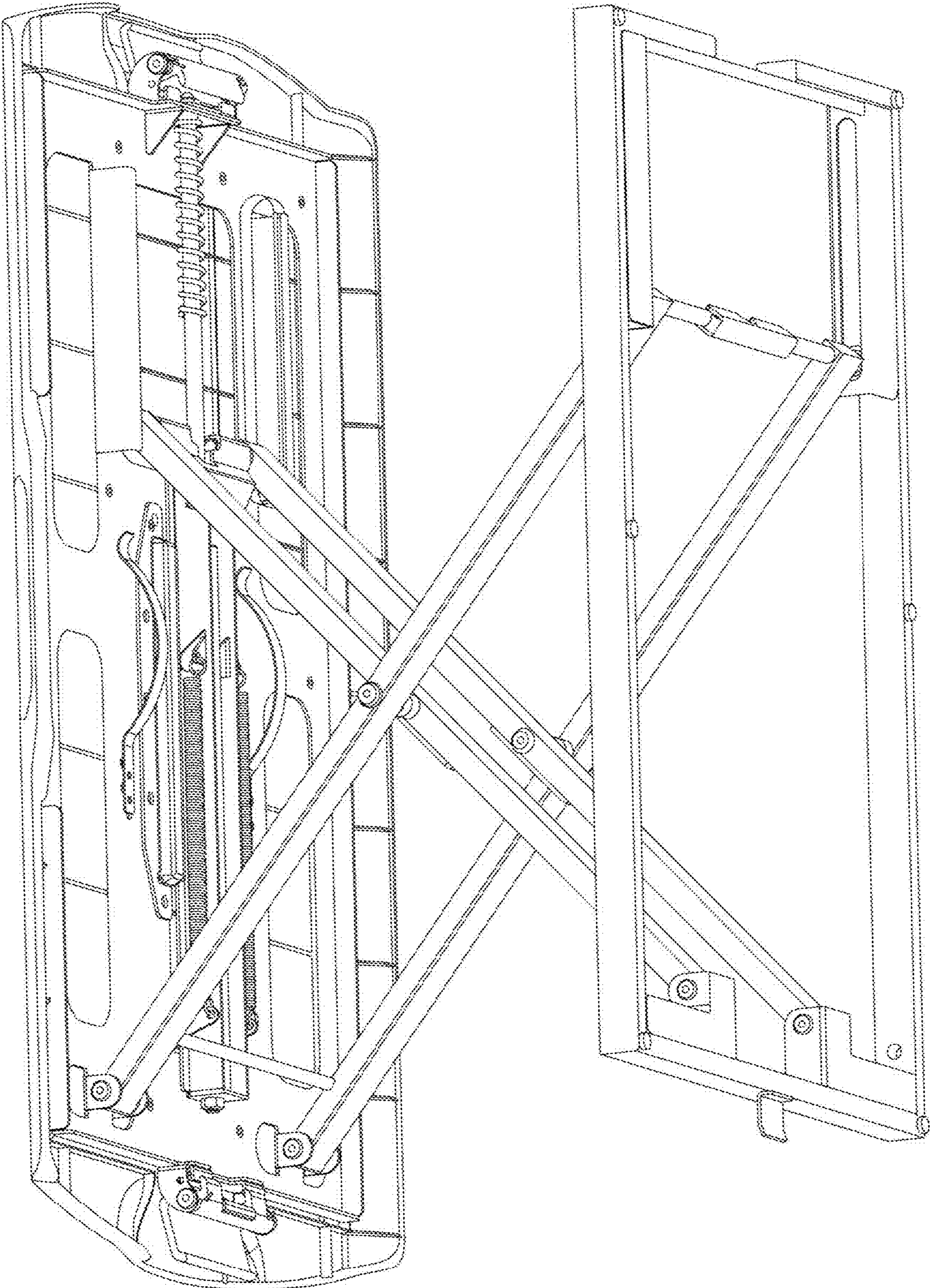


FIG.2

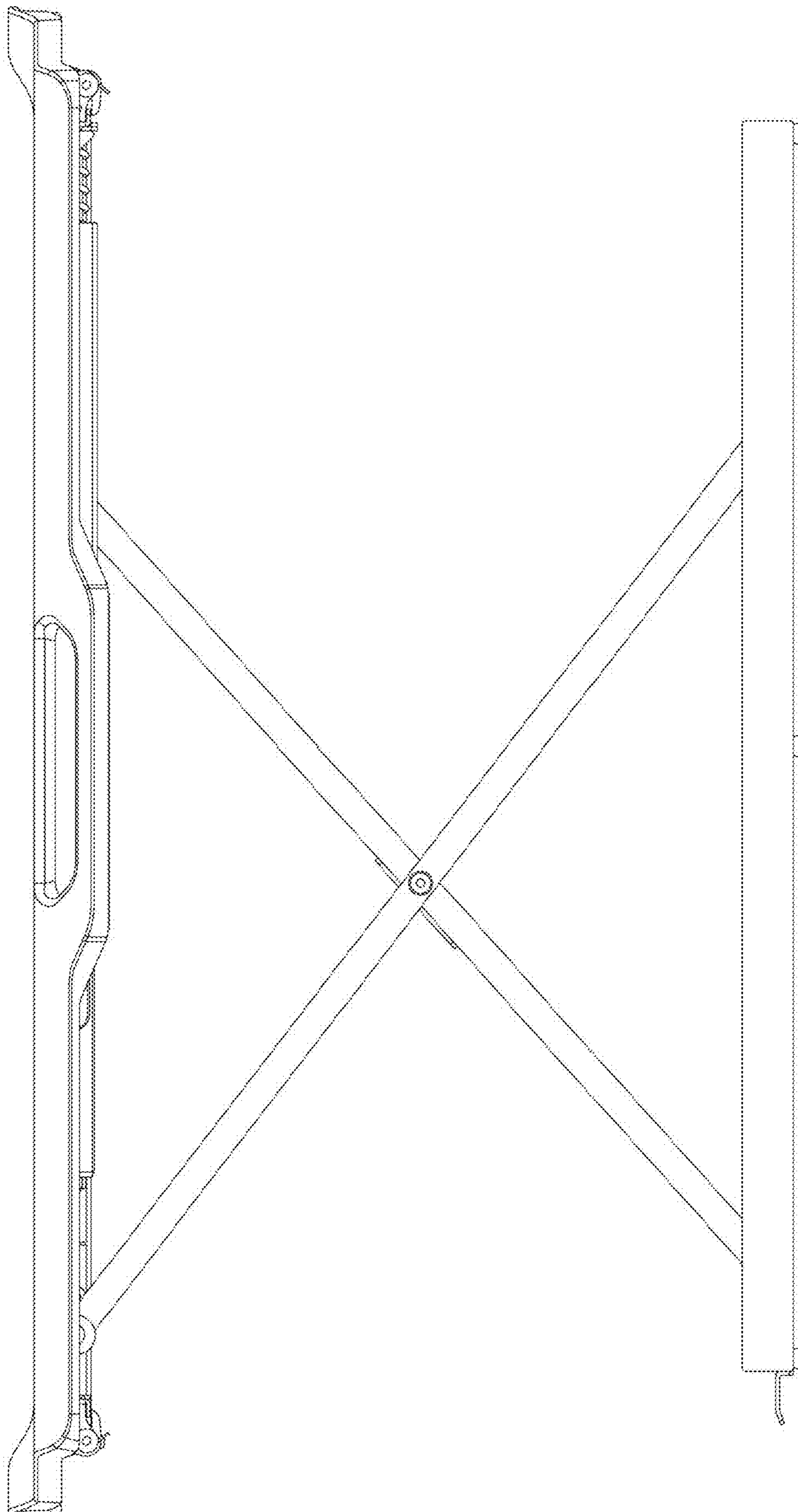


FIG.3

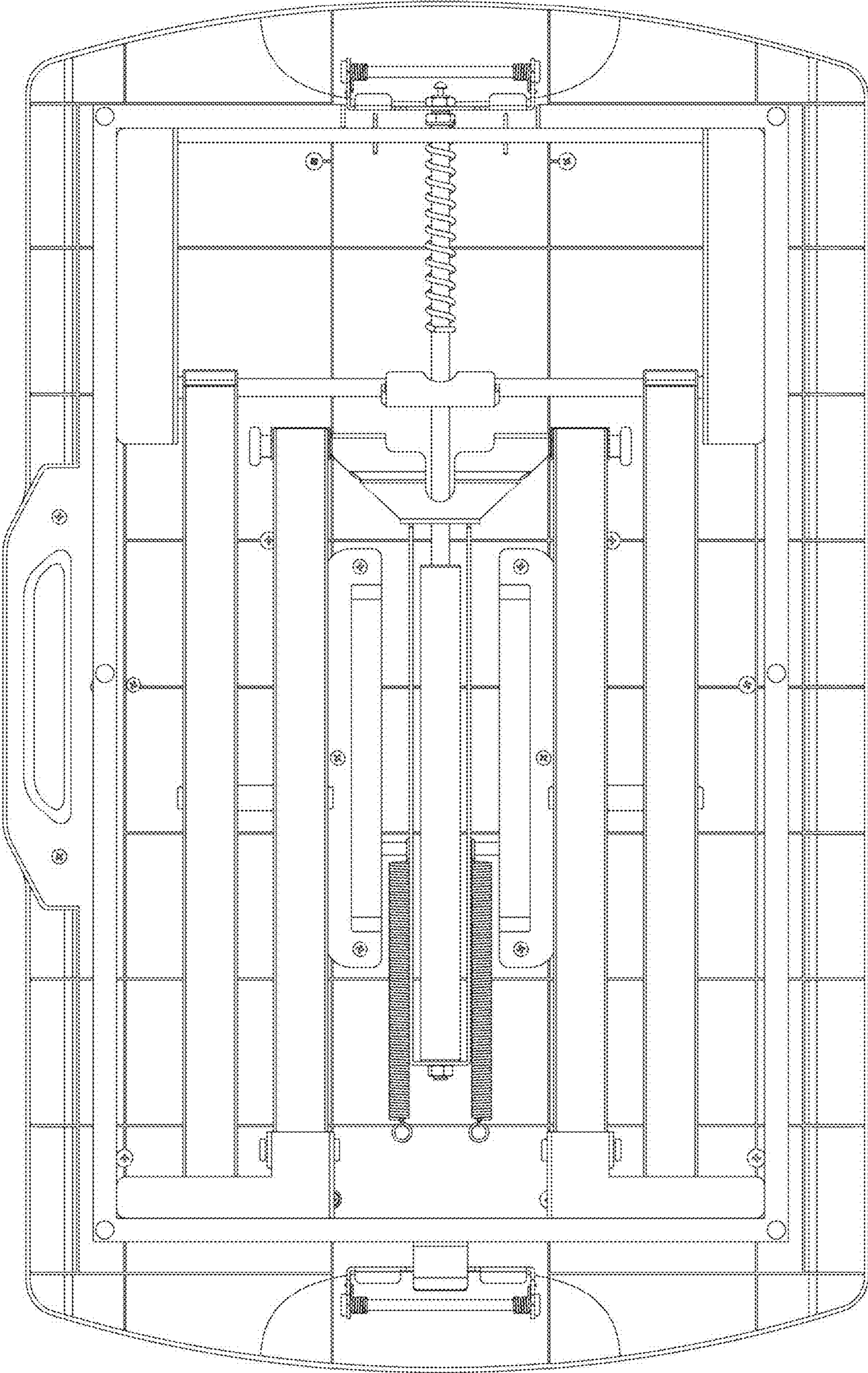


FIG.4

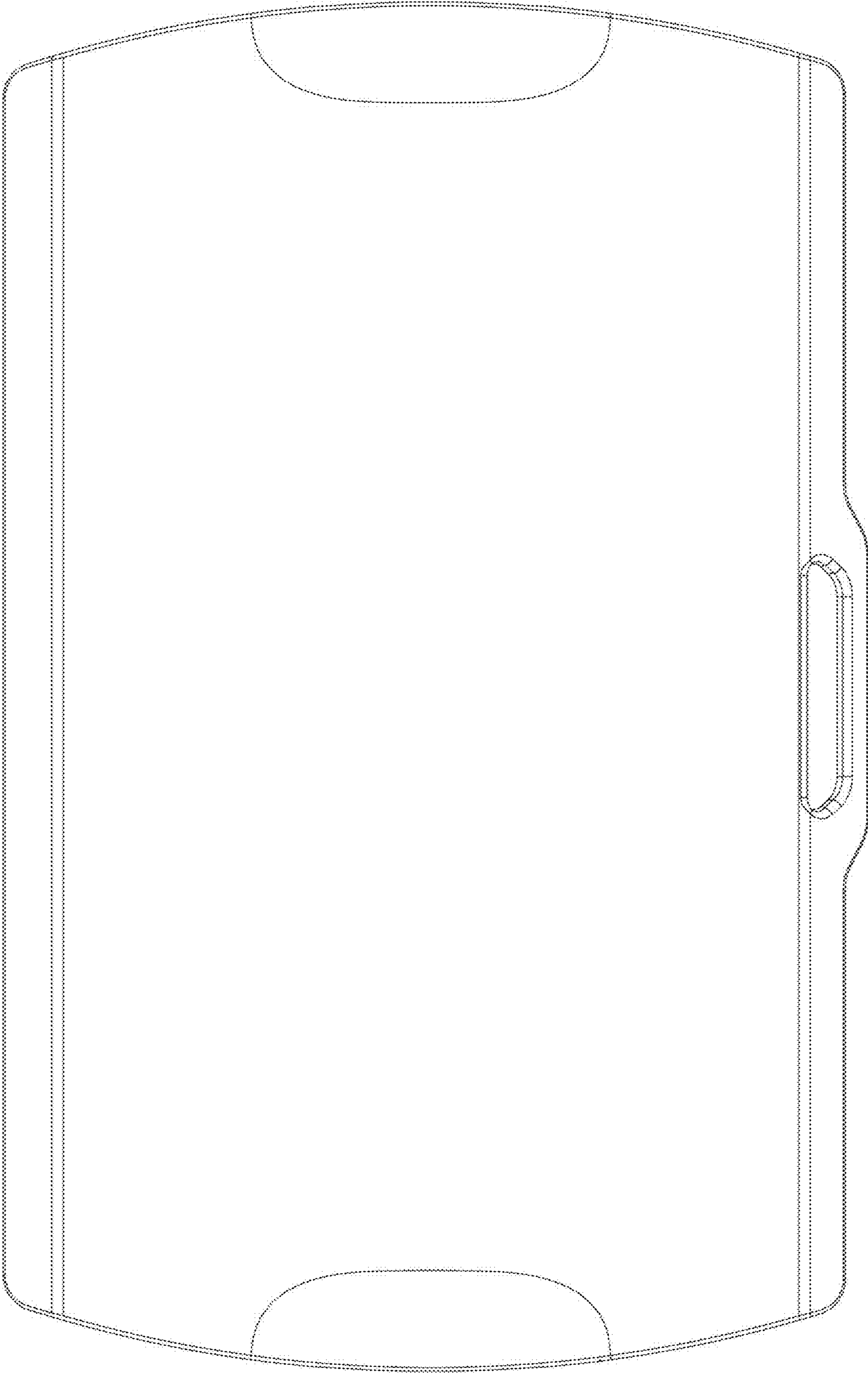


FIG.5

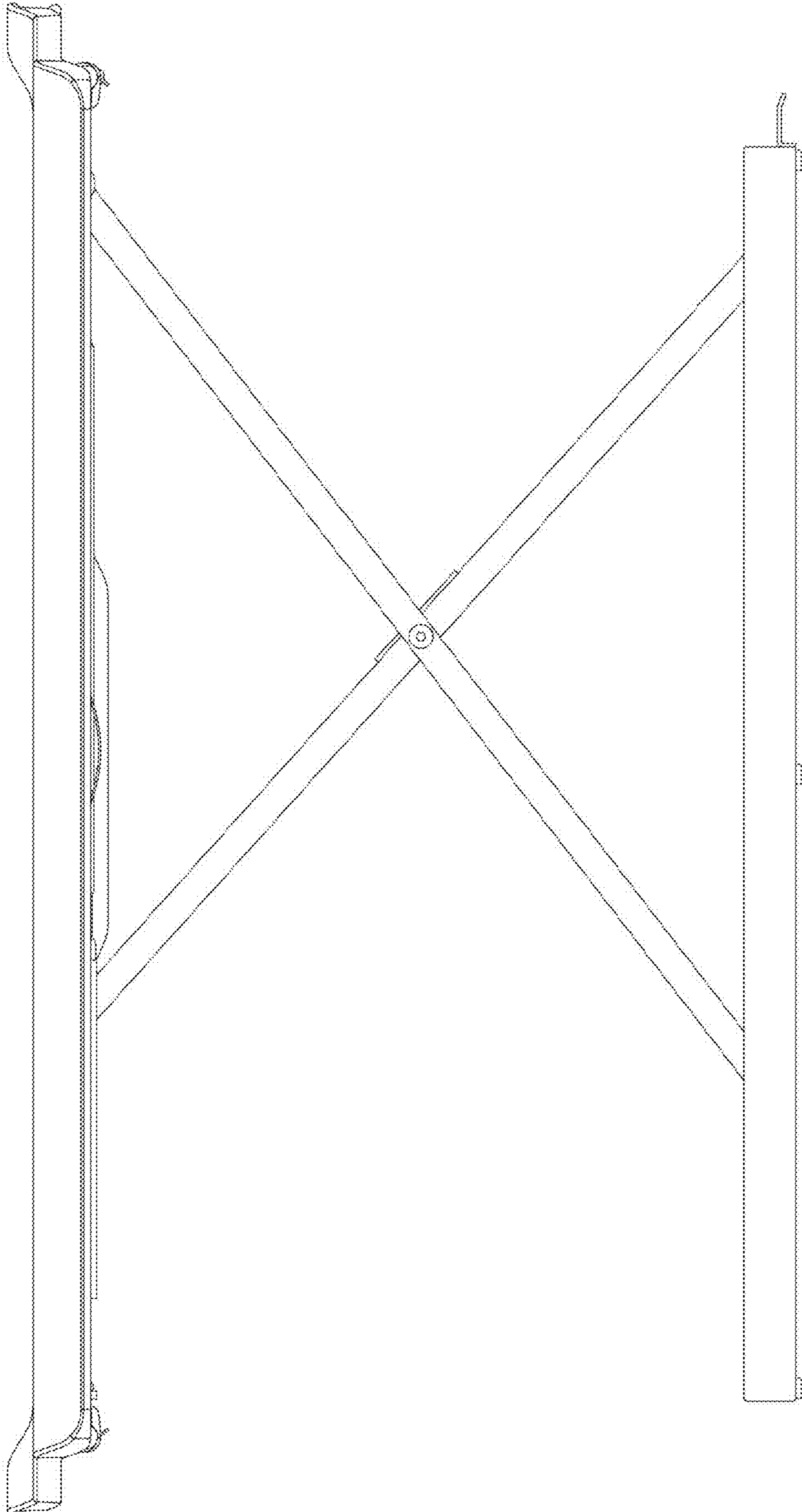


FIG.6

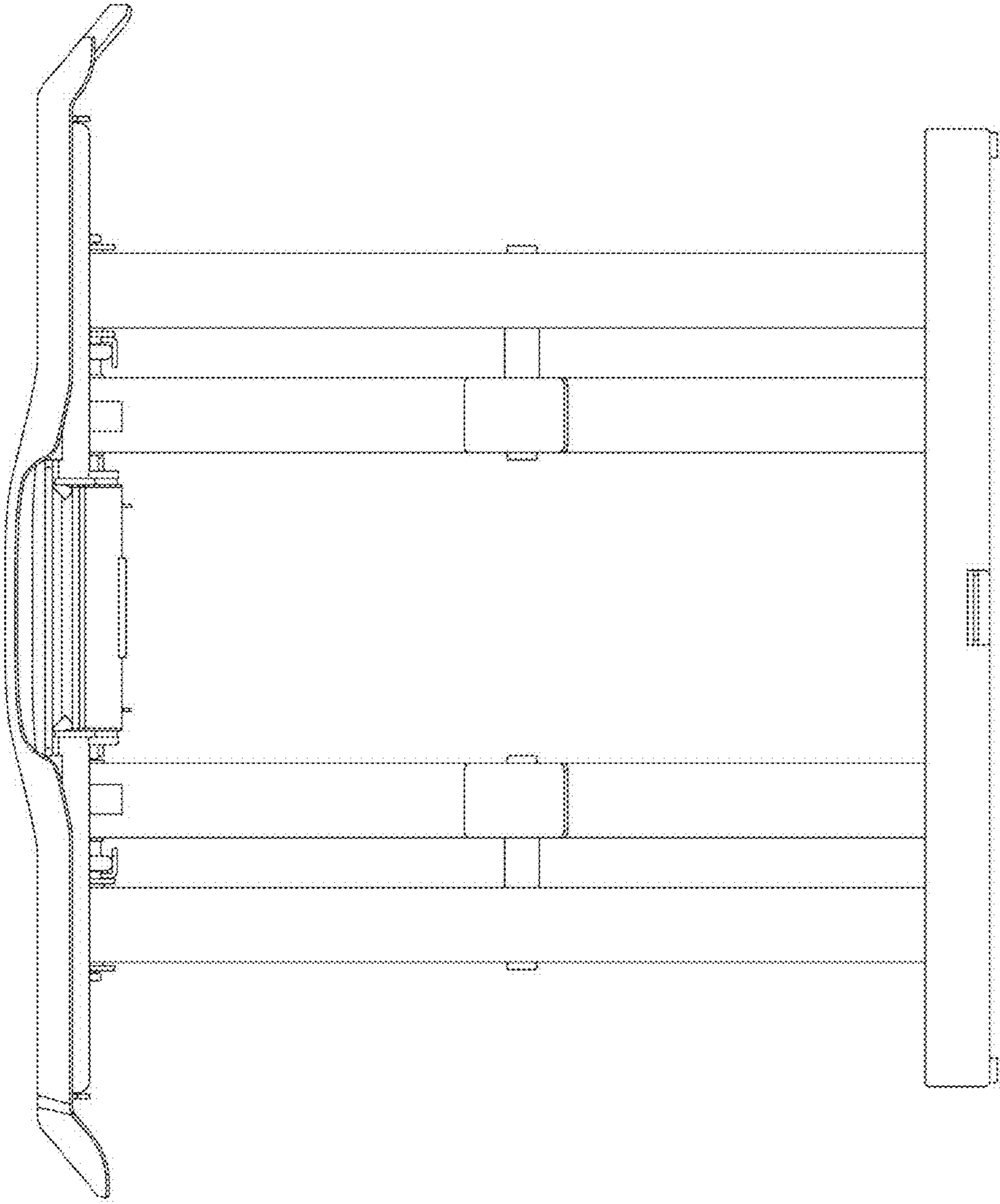


FIG.7

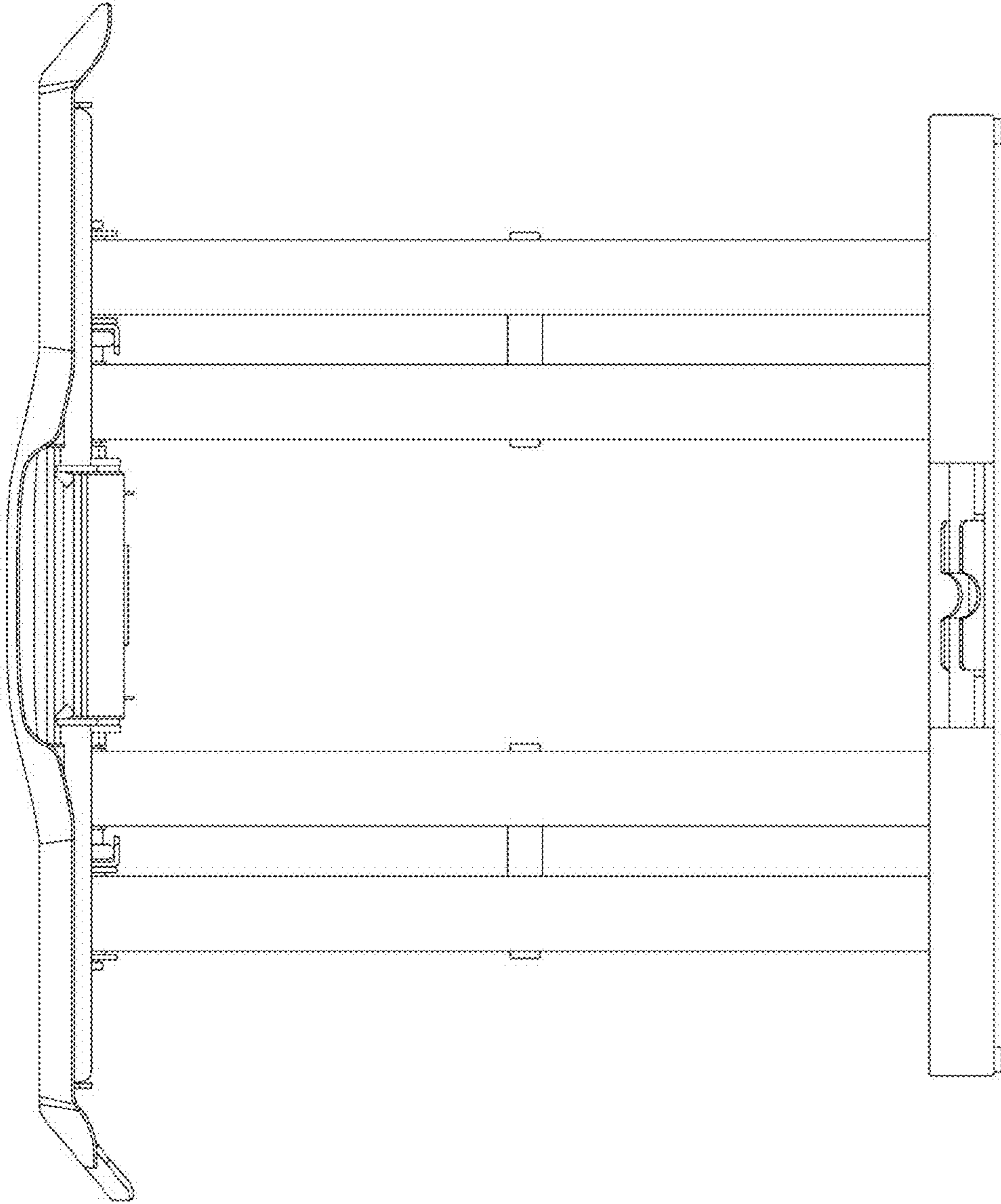


FIG.8