



US00D882986S

(12) **United States Design Patent** (10) **Patent No.:** **US D882,986 S**
Knapp et al. (45) **Date of Patent:** **** May 5, 2020**

(54) **HEIGHT ADJUSTABLE DESK**
(71) Applicant: **CKnapp Sales, Inc.**, Goodfield, IL (US)
(72) Inventors: **Chance Knapp**, Goodfield, IL (US); **Brandon Meyer**, Normal, IL (US)
(73) Assignee: **CKnapp Sales, Inc.**, Goodfield, IL (US)
(**) Term: **15 Years**
(21) Appl. No.: **29/649,615**
(22) Filed: **May 31, 2018**
(51) **LOC (12) Cl.** **06-03**
(52) **U.S. Cl.**
USPC **D6/655**
(58) **Field of Classification Search**
USPC D6/353, 368, 642, 655, 655.1, 655.13, D6/655.14, 655.2, 655.21, 686, 687, 691, D6/691.9, 704, 708
CPC A47B 1/00; A47B 7/00; A47B 9/00; A47B 9/10; A47B 9/16; A47B 2009/006; A47B 11/00; A47B 13/00; A47B 13/081; A47B 21/0073; A47B 21/02; A47B 21/03; A47B 2200/005; A47B 2200/0064
See application file for complete search history.

D832,002 S * 10/2018 Hu D6/655.13
D836,952 S * 1/2019 Hu D6/648
D841,369 S * 2/2019 Hu D6/655
D843,137 S * 3/2019 Hu D6/655
D845,037 S * 4/2019 Min D6/655
D852,548 S * 7/2019 Hu D6/655
2019/0110588 A1* 4/2019 Wong A47B 9/16

OTHER PUBLICATIONS

VIVO, posted at Amazon.com, posted on Nov. 24, 2017, site visited Aug. 15, 2019. online, available from internet: <https://www.amazon.com/VIVO-Adjustable-Converter-Tabletop-DESK-V000V/dp/B0784HWPN6> (Year: 2017).*

* cited by examiner

Primary Examiner — Mary Ann Calabrese

Assistant Examiner — Catherine Ho

(74) *Attorney, Agent, or Firm* — Todd R. Fronck; Larkin Hoffman Daly & Lindgren, Ltd.

(57) **CLAIM**

The ornamental design for a height adjustable desk, as shown and described.

DESCRIPTION

FIG. 1 is a top perspective view of the height adjustable desk showing my new design;
FIG. 2 is a front view thereof;
FIG. 3 is a back view thereof;
FIG. 4 is a left side view thereof;
FIG. 5 is a right side view thereof;
FIG. 6 is a top plan view thereof; and,
FIG. 7 is a bottom plan view thereof.

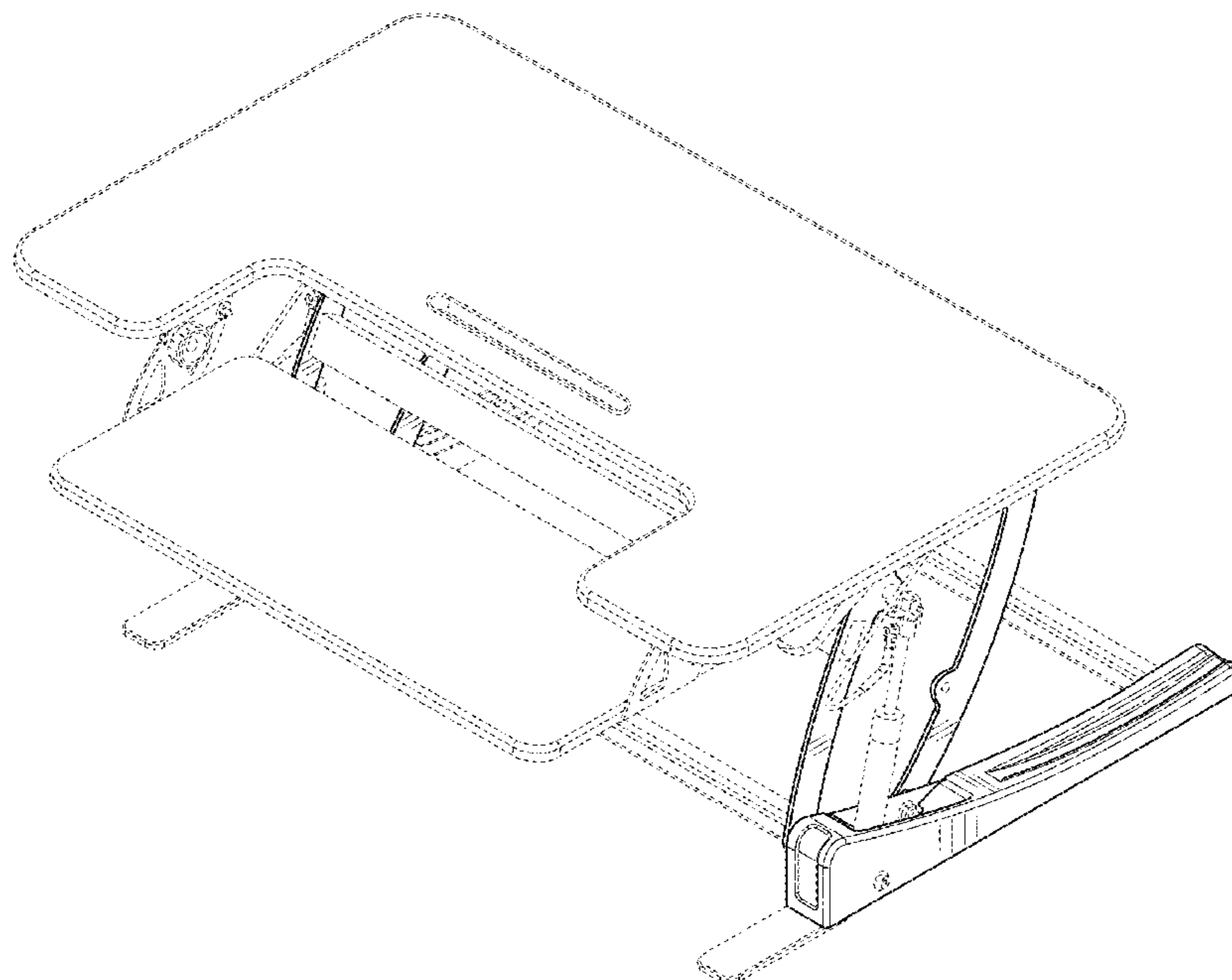
The broken line portion of the figure drawings is included to show portions of the height adjustable desk that form no part of the claimed design.

1 Claim, 7 Drawing Sheets

(56) **References Cited**

U.S. PATENT DOCUMENTS

D771,982 S * 11/2016 Flaherty D6/655
D781,617 S * 3/2017 Flaherty D6/655
D781,618 S * 3/2017 Flaherty D6/655
D781,619 S * 3/2017 Flaherty D6/655
D784,050 S * 4/2017 Flaherty D6/655
D814,214 S * 4/2018 Flaherty D6/648



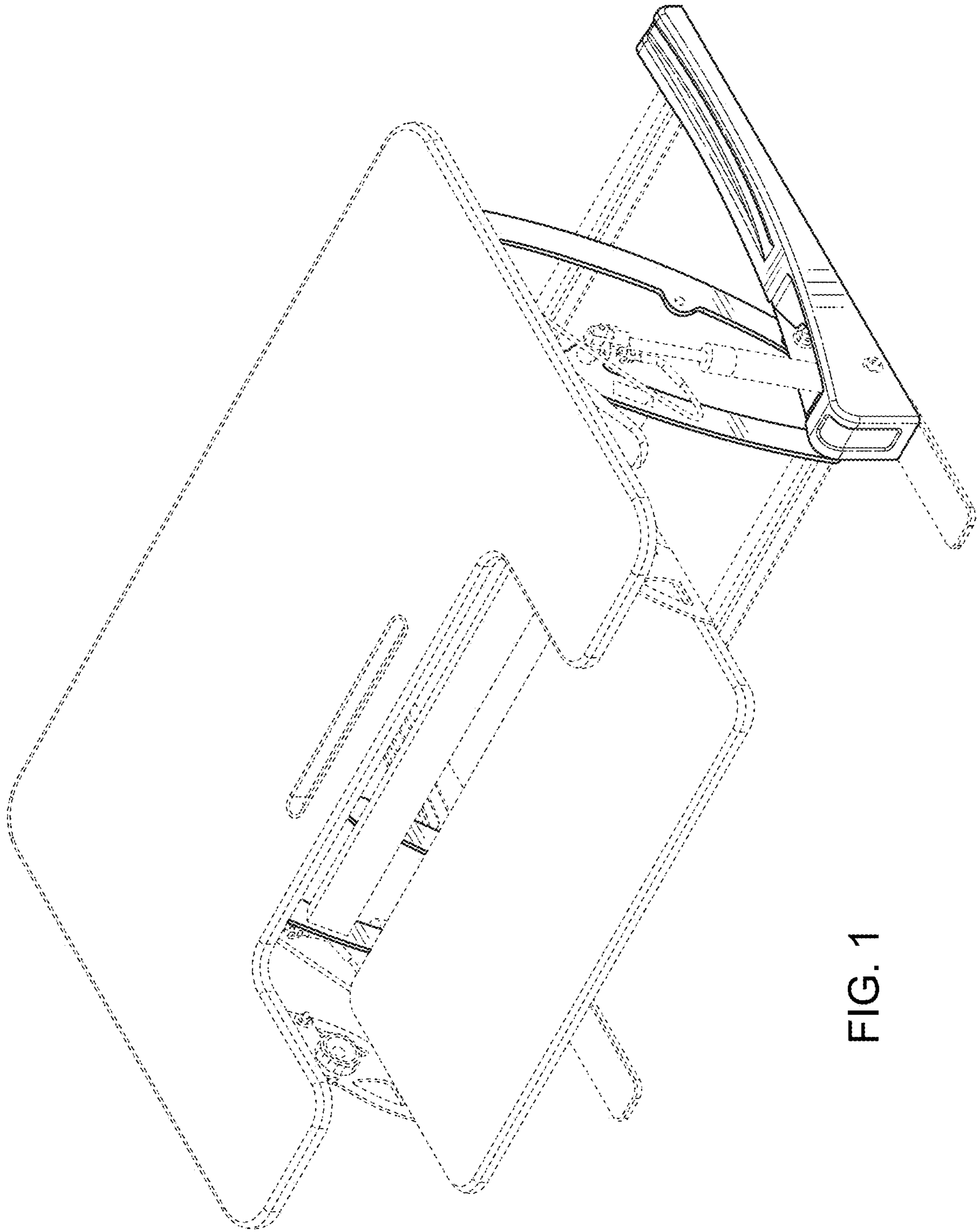


FIG. 1

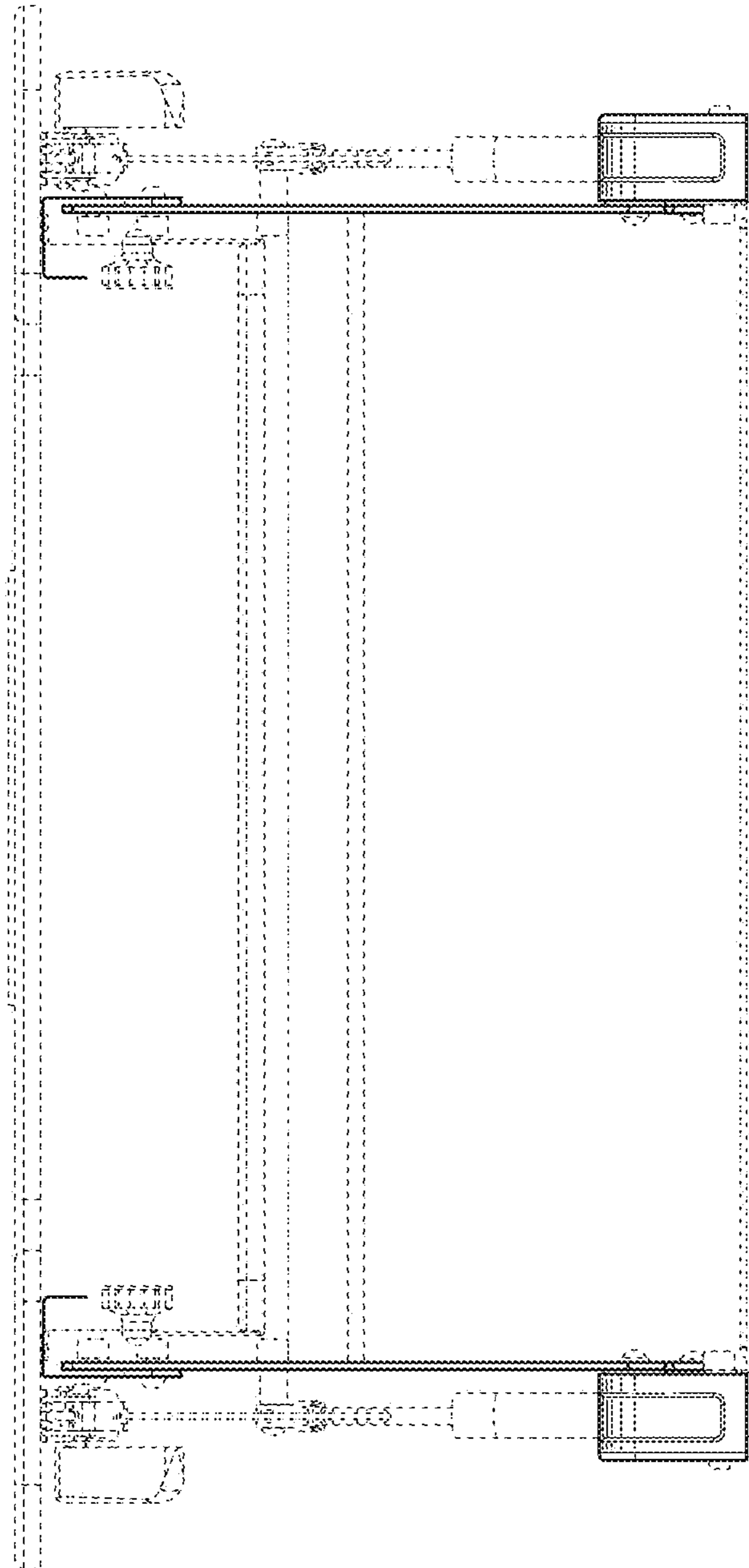


FIG. 2

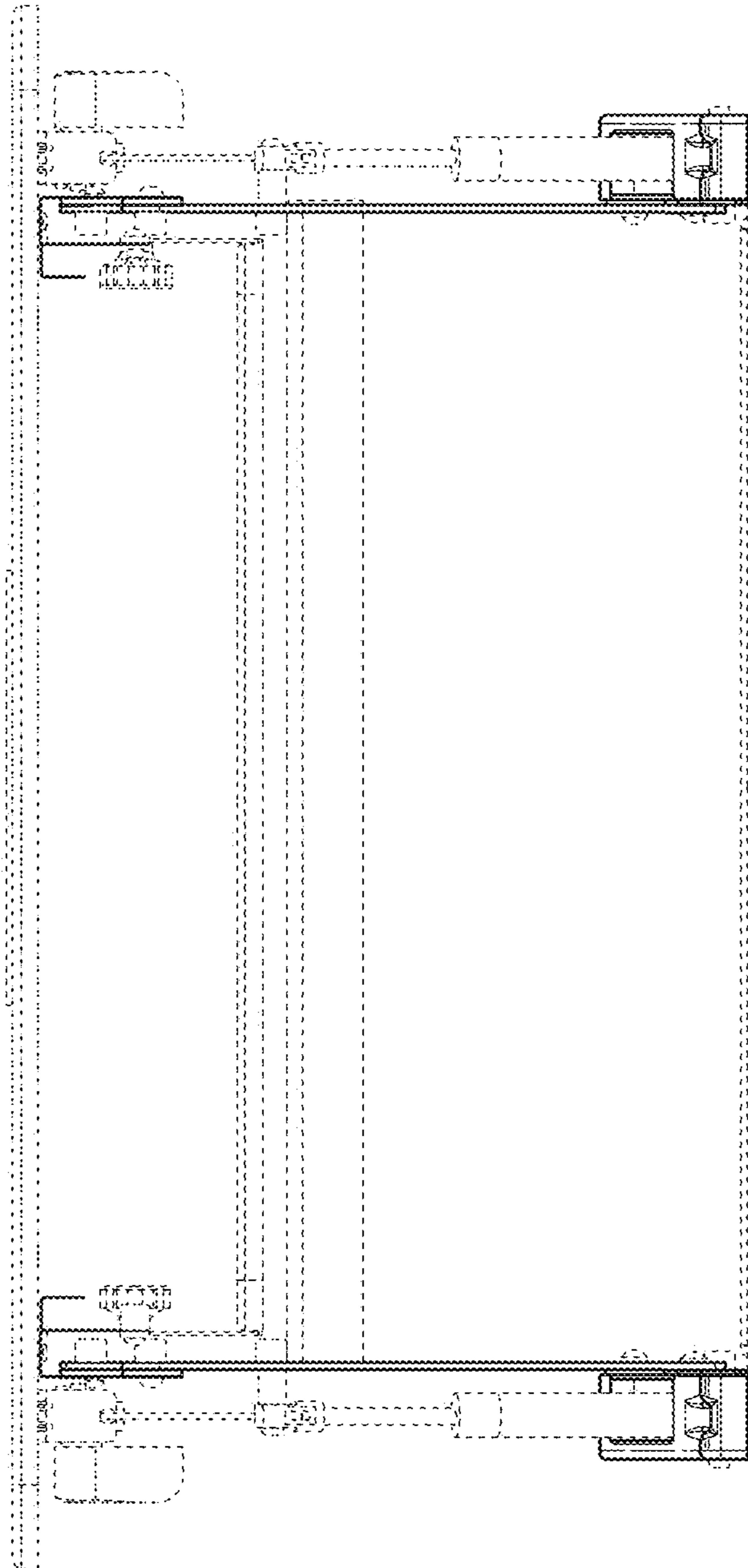


FIG. 3

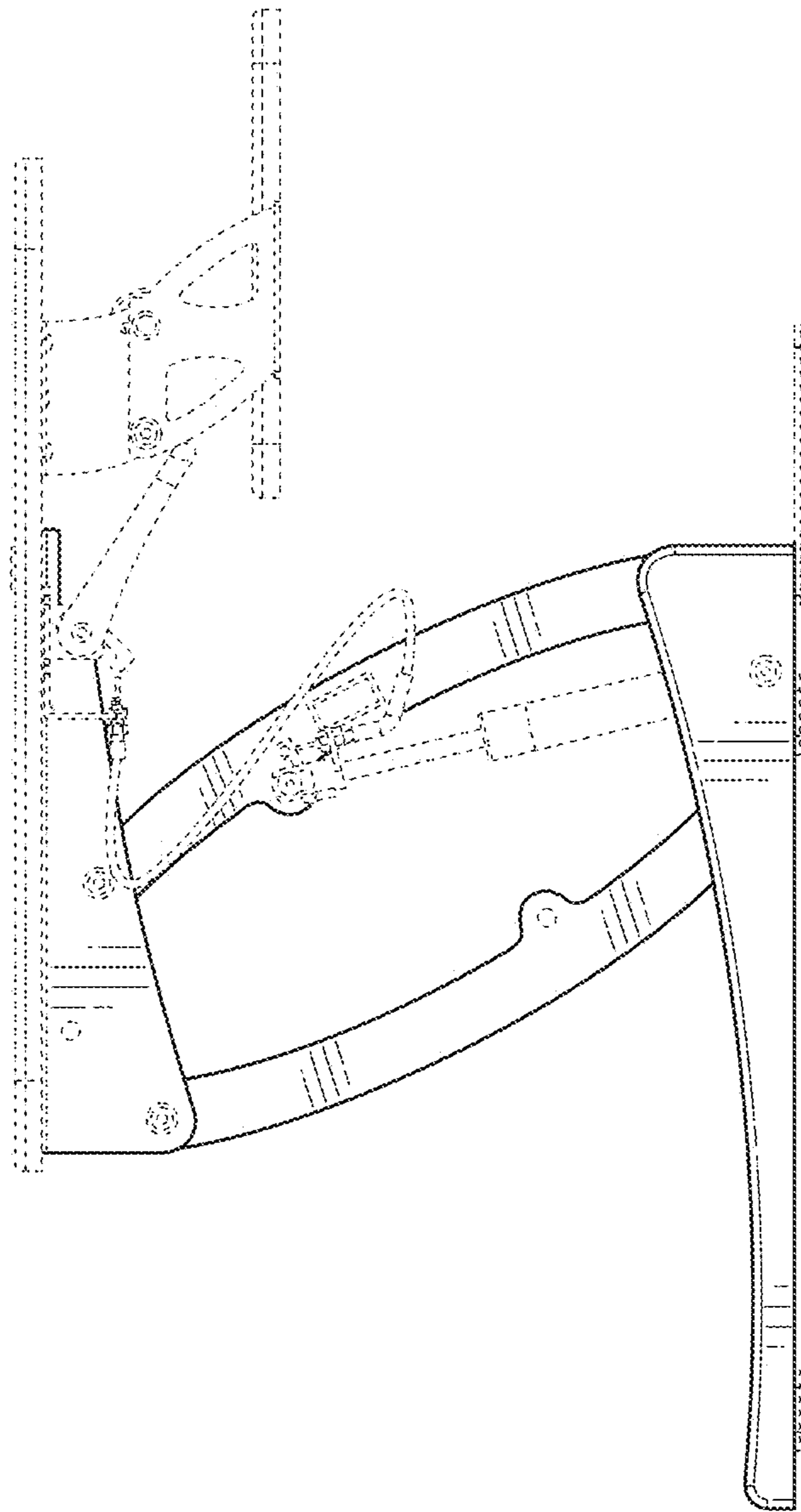


FIG. 4

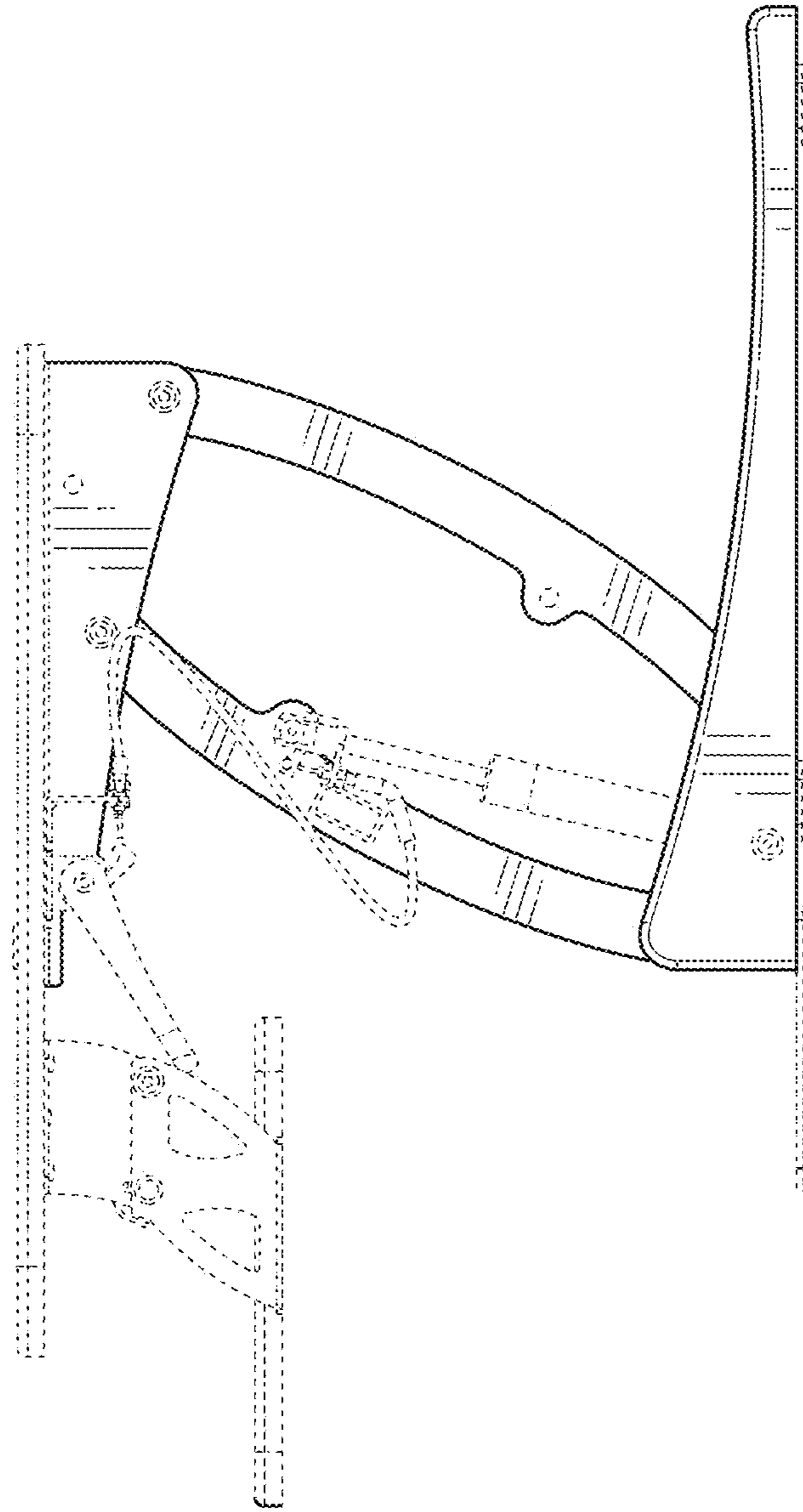


FIG. 5

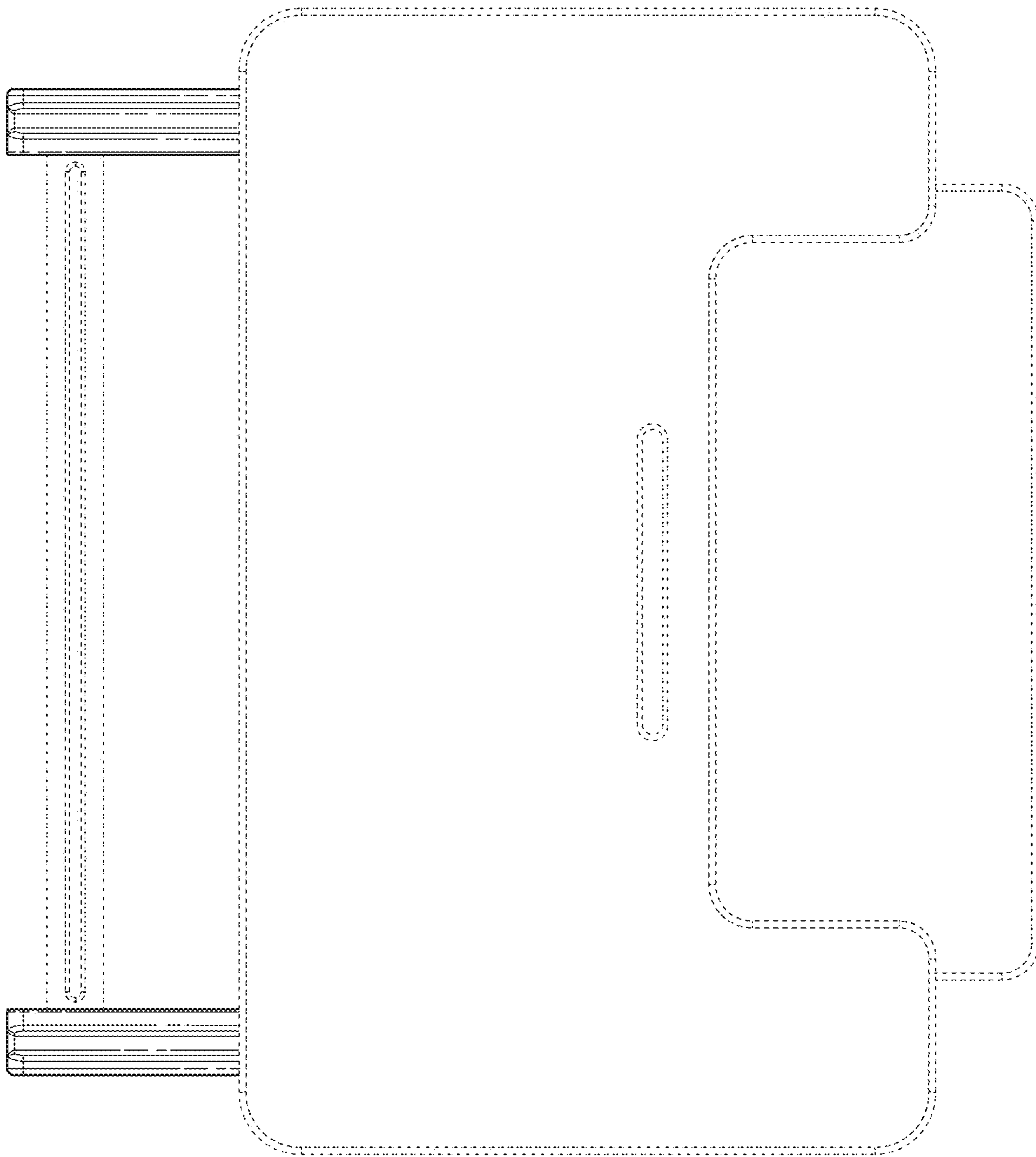


FIG. 6

FIG. 7

