



US00D882984S

(12) **United States Design Patent**
Najimi

(10) **Patent No.:** **US D882,984 S**

(45) **Date of Patent:** **** May 5, 2020**

(54) **MODULAR HANGING RACK**

(71) Applicant: **Juka Innovations Corporation,**
Farmingdale, NY (US)

(72) Inventor: **Solyman Najimi,** Farmingdale, NY
(US)

(73) Assignee: **JUKA INNOVATIONS**
CORPORATION, Farmingdale, NY
(US)

(**) Term: **15 Years**

(21) Appl. No.: **29/677,626**

(22) Filed: **Jan. 22, 2019**

(51) **LOC (12) Cl.** **06-06**

(52) **U.S. Cl.**
USPC **D6/514**

(58) **Field of Classification Search**
USPC D6/569, 512-514, 522-524, 525, 540,
D6/566, 570; D19/90; 211/13.1, 70.6,
211/74, 134, 70.7, 71.01, 75, 88.01,
211/86.01, 90.01, 90.03, 106, 119, 126.1,
211/133.5, 181.1; 248/302; D8/372
CPC A47K 17/00; A47K 3/281; A47K 3/001;
B23P 17/04; A47B 57/265; A47B 57/565;
A47B 57/26

See application file for complete search history.

(56) **References Cited**

U.S. PATENT DOCUMENTS

D354,412 S * 1/1995 Emery D6/514
D419,349 S * 1/2000 Klein D6/548

D699,467 S * 2/2014 Tsai D6/514
D707,541 S * 6/2014 Goodman D8/372
D724,860 S * 3/2015 Tsai D6/514
D768,404 S * 10/2016 Klein D6/514

* cited by examiner

Primary Examiner — Wan Laymon
Assistant Examiner — Mark Booker

(57) **CLAIM**

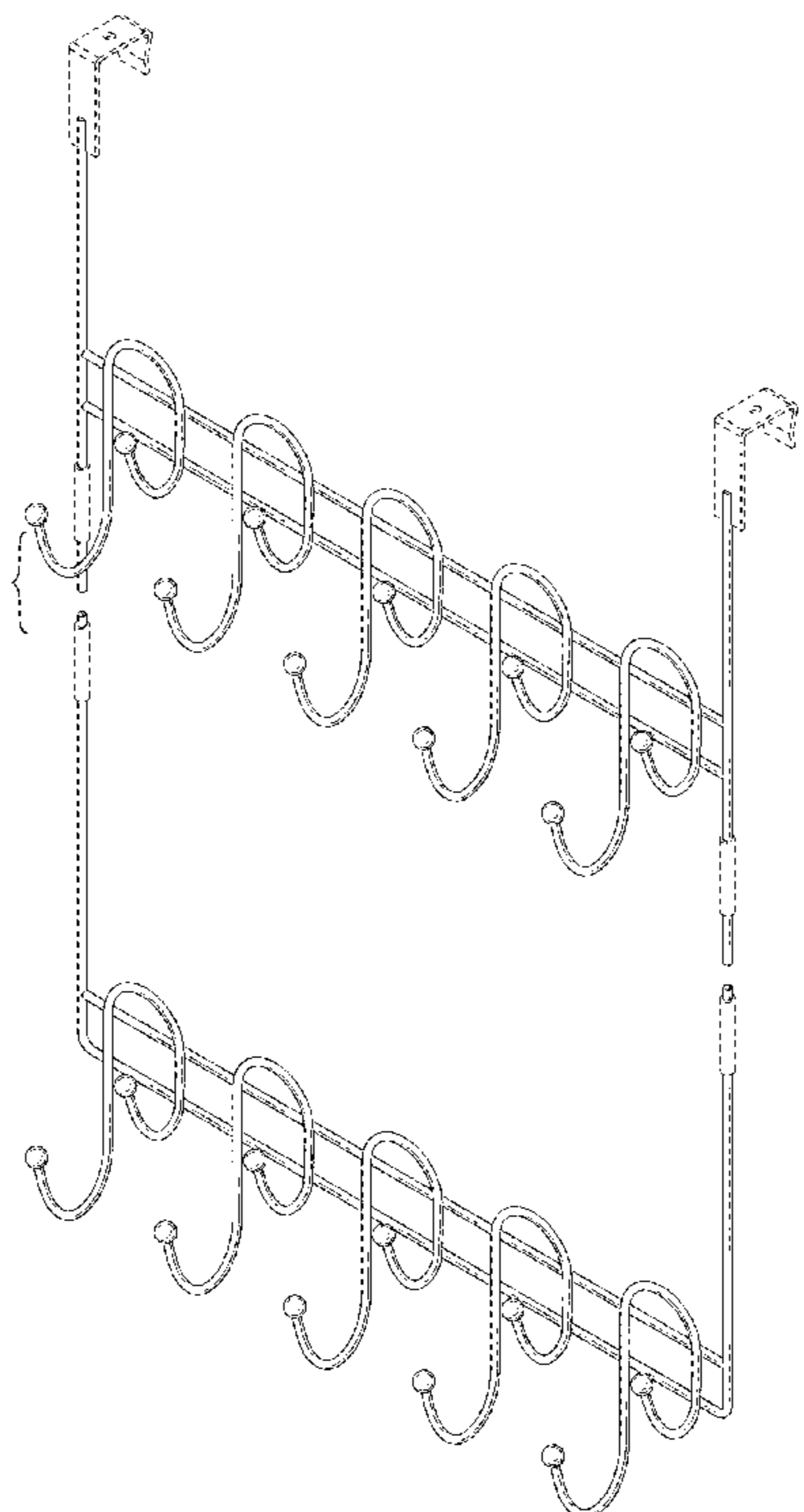
The ornamental design for a modular hanging rack, as shown and described.

DESCRIPTION

FIG. 1 is a top perspective view of a modular hanging rack showing my new design;
FIG. 2 is a bottom perspective view thereof;
FIG. 3 is a front view thereof;
FIG. 4 is a rear view thereof;
FIG. 5 is a left view thereof;
FIG. 6 is a right view thereof;
FIG. 7 is a top view thereof; and,
FIG. 8 is a bottom view thereof.

The broken line showing the curved grapples and linear couplings in FIGS. 1, 2, 3, 4, 5, 6, 7, and 8 is included for the purpose of illustrating environmental structure and forms no part of the claimed design. The modular hanging rack is shown with a symbolic break in its length. The appearance of any portion of the article between the break lines forms no part of the claimed design.

1 Claim, 8 Drawing Sheets



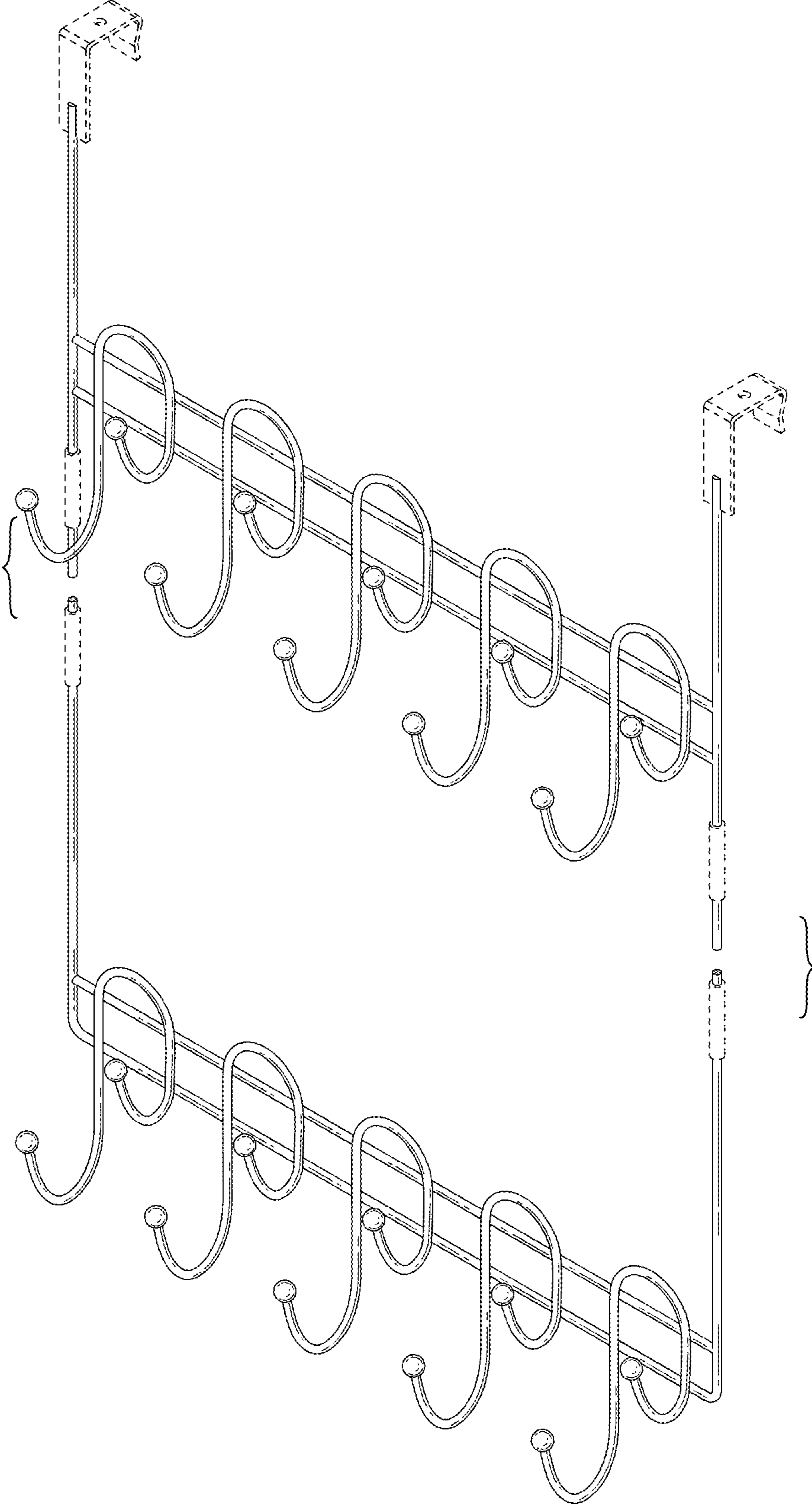


FIG. 1

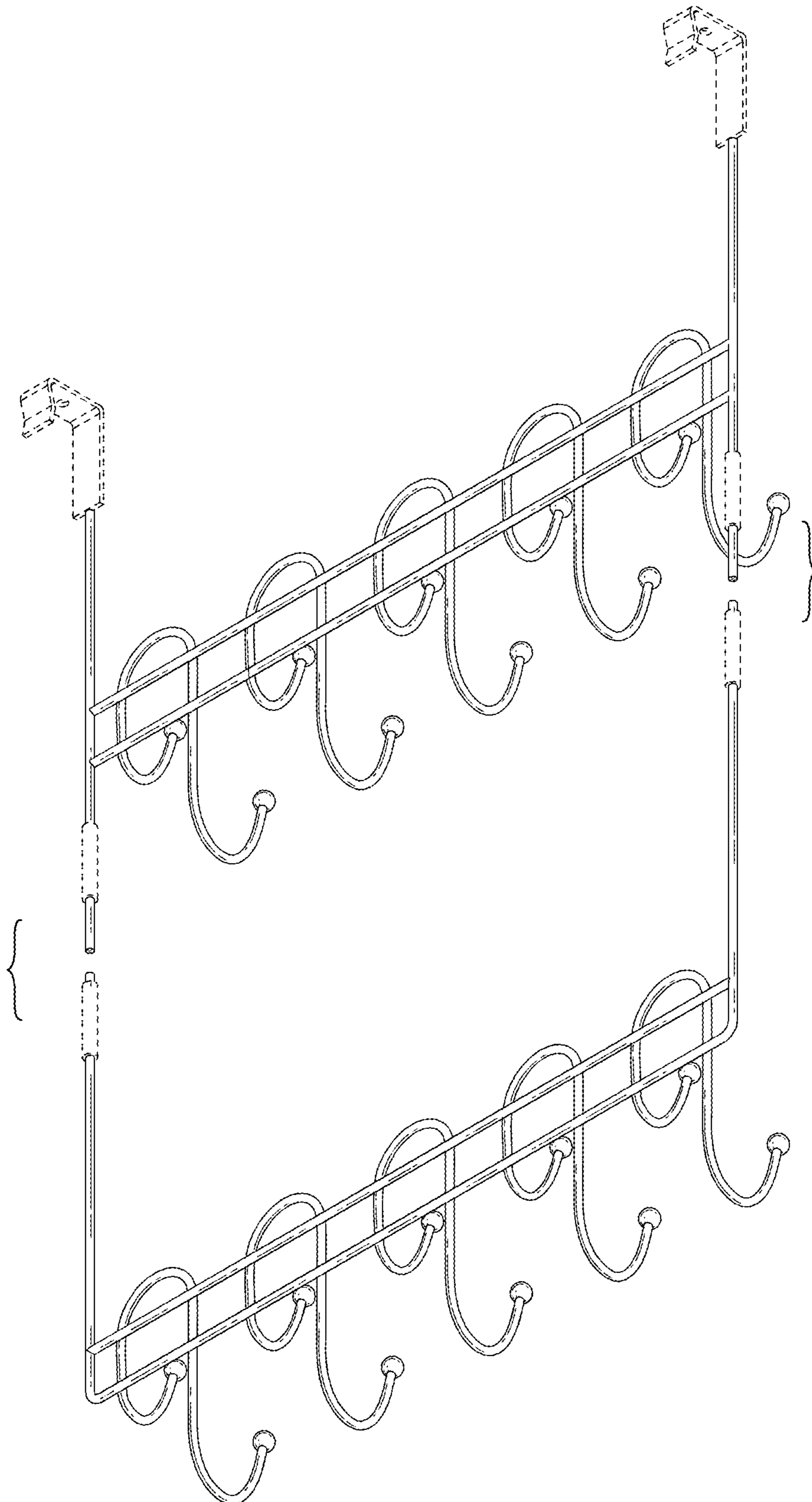


FIG. 2

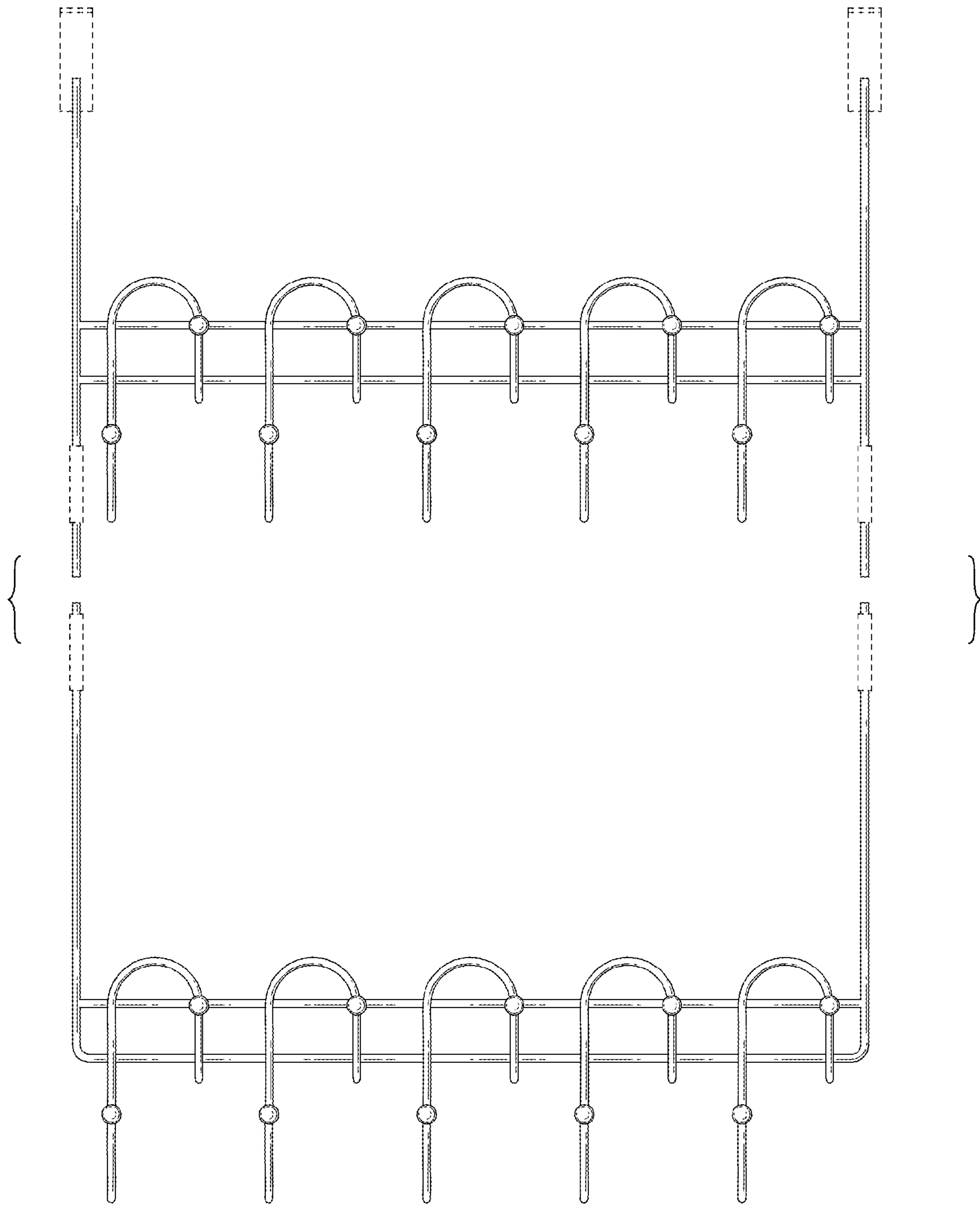


FIG. 3

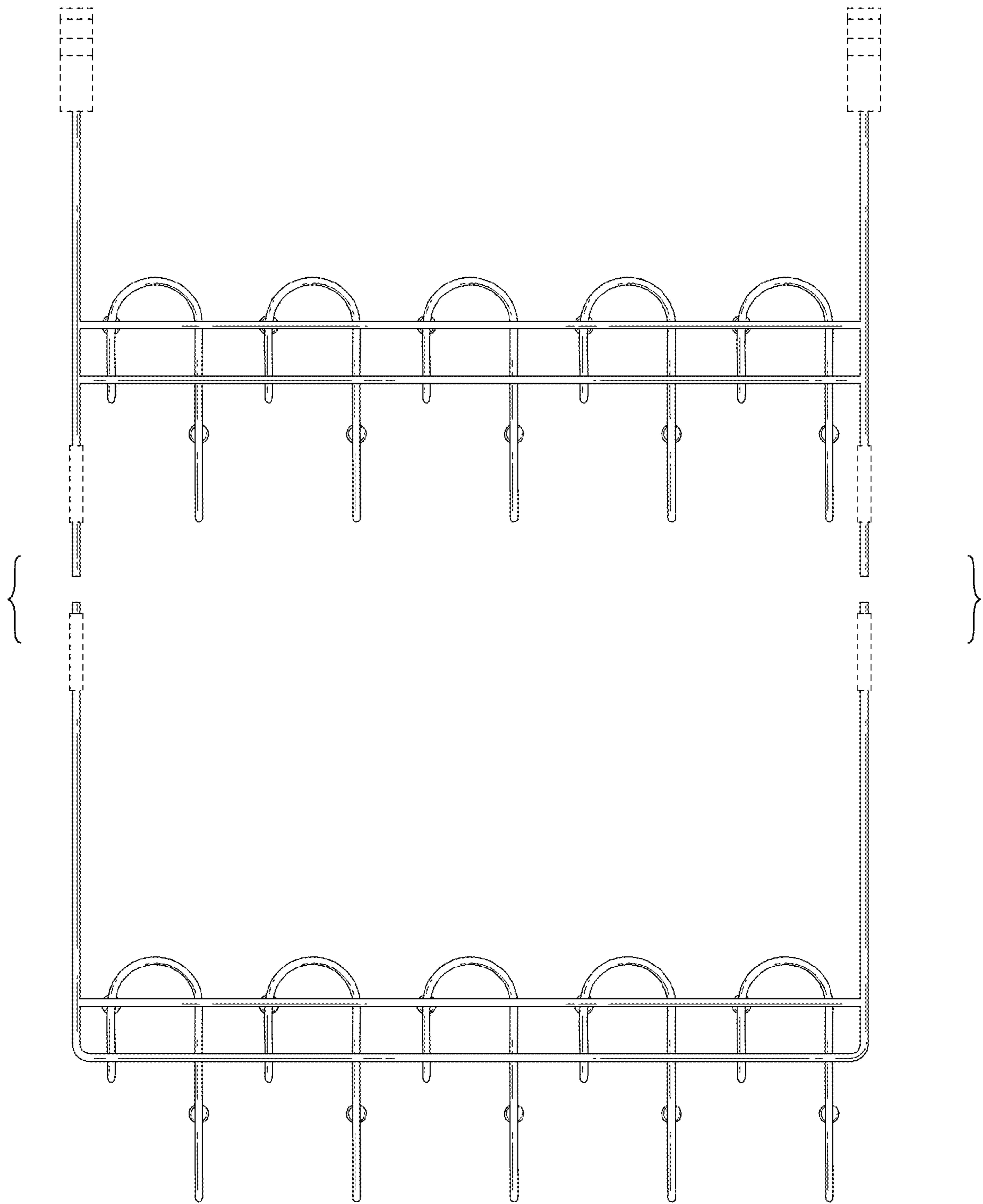


FIG. 4

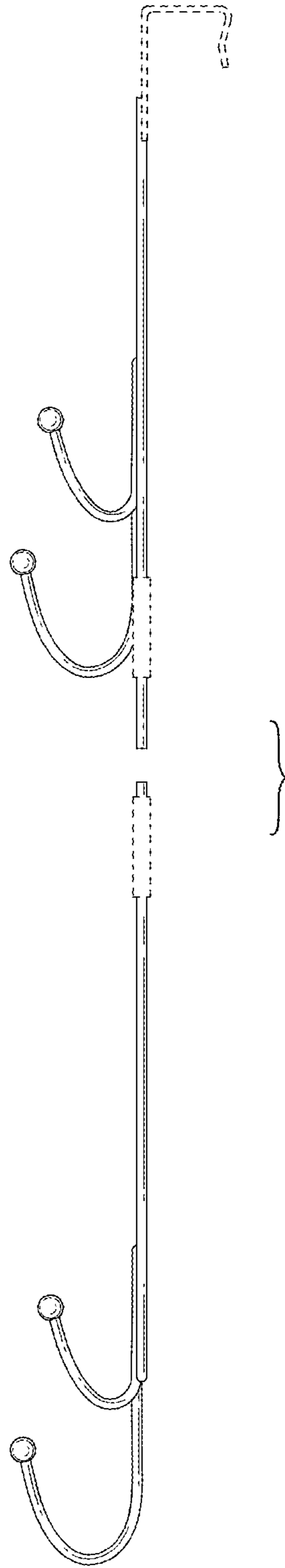


FIG. 5

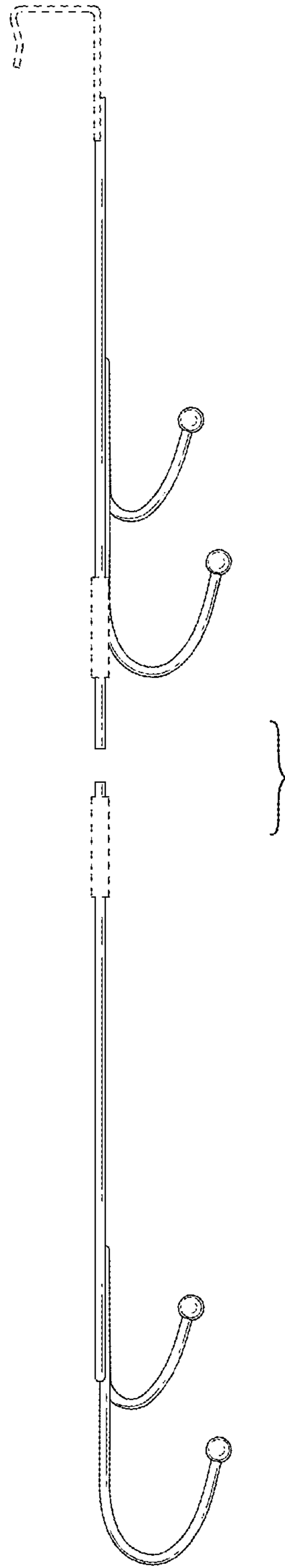


FIG. 6

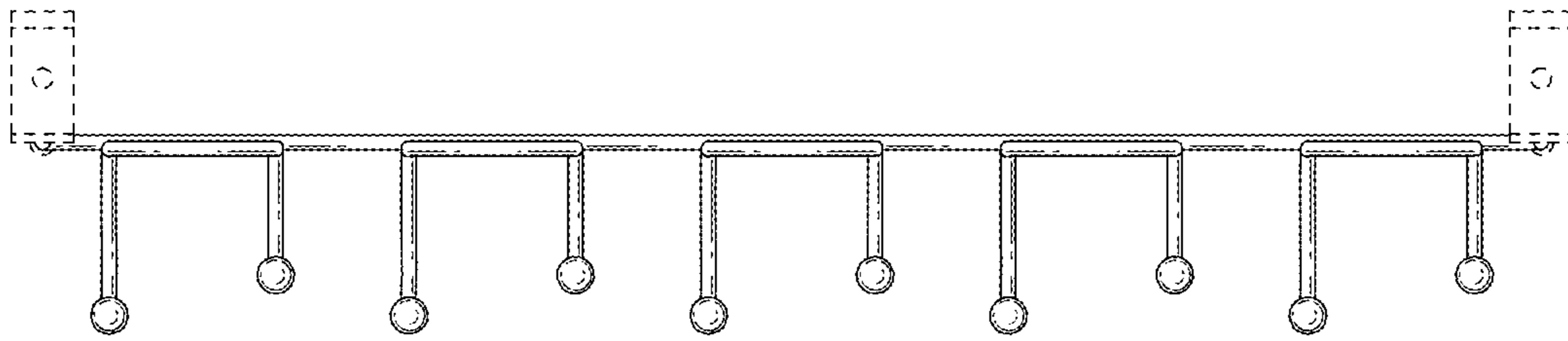


FIG. 7

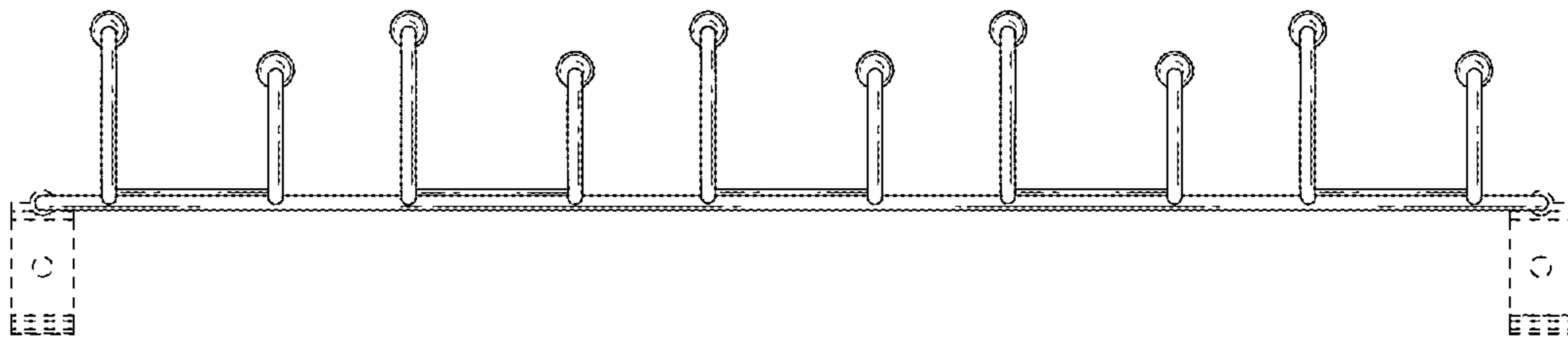


FIG. 8