



US00D882982S

(12) **United States Design Patent** (10) **Patent No.:** **US D882,982 S**
Lissoni (45) **Date of Patent:** **** May 5, 2020**

(54) **SOFA**
(71) Applicant: **Knoll, Inc.**, East Greenville, PA (US)
(72) Inventor: **Piero Lissoni**, East Greenville, PA (US)
(73) Assignee: **KNOLL, INC.**, East Greenville, PA (US)
(**) Term: **15 Years**
(21) Appl. No.: **29/692,322**
(22) Filed: **May 24, 2019**

Related U.S. Application Data

(62) Division of application No. 29/619,683, filed on Sep. 29, 2017, now Pat. No. Des. 849,427.

Foreign Application Priority Data

Mar. 31, 2017 (EP) 003833995-0006
Mar. 31, 2017 (EP) 003833995-0007
Mar. 31, 2017 (EP) 003833995-0008
Mar. 31, 2017 (EP) 003833995-0009
Mar. 31, 2017 (EP) 003833995-0010
Mar. 31, 2017 (EP) 003833995-0011

(51) **LOC (12) Cl.** **06-01**

(52) **U.S. Cl.**
USPC **D6/381**

(58) **Field of Classification Search**
USPC D6/334, 335, 336, 341, 360, 361, 364,
D6/365, 366, 367, 368, 369, 371, 372,
D6/373, 374, 375, 376, 377, 378, 381
CPC A47C 1/00; A47C 13/00; A47C 13/005;
A47C 17/002

See application file for complete search history.

(56) **References Cited**

U.S. PATENT DOCUMENTS

D192,913 S	5/1962	Wilson	
D193,929 S	10/1962	Ritts	
D202,339 S	9/1965	McRee	
D206,331 S	* 11/1966	Kasparian	D6/708
D237,026 S	10/1975	Vogt	
D270,403 S	9/1983	Matthias	
D280,055 S	* 8/1985	Offredi	D6/381
D431,381 S	10/2000	Gomez	
D474,909 S	* 5/2003	Ricci	D6/381
D607,227 S	* 1/2010	Massaud	D6/381
D753,408 S	* 4/2016	Lade	D6/381
D761,029 S	7/2016	Behar et al.	
D761,583 S	* 7/2016	Warren	D6/371
D762,998 S	8/2016	Warren	
D785,356 S	5/2017	Massaud	
D787,207 S	5/2017	Webb	
D789,103 S	6/2017	Webb	
D804,843 S	* 12/2017	Urquiola	D6/381
D818,733 S	5/2018	Hiyoshi et al.	
D826,607 S	8/2018	Zdanius	
D834,846 S	* 12/2018	Woller	D6/371
D841,999 S	* 3/2019	Velez	D6/381

(Continued)

Primary Examiner — Deanna L Pratt
(74) *Attorney, Agent, or Firm* — The Belles Group, P.C.

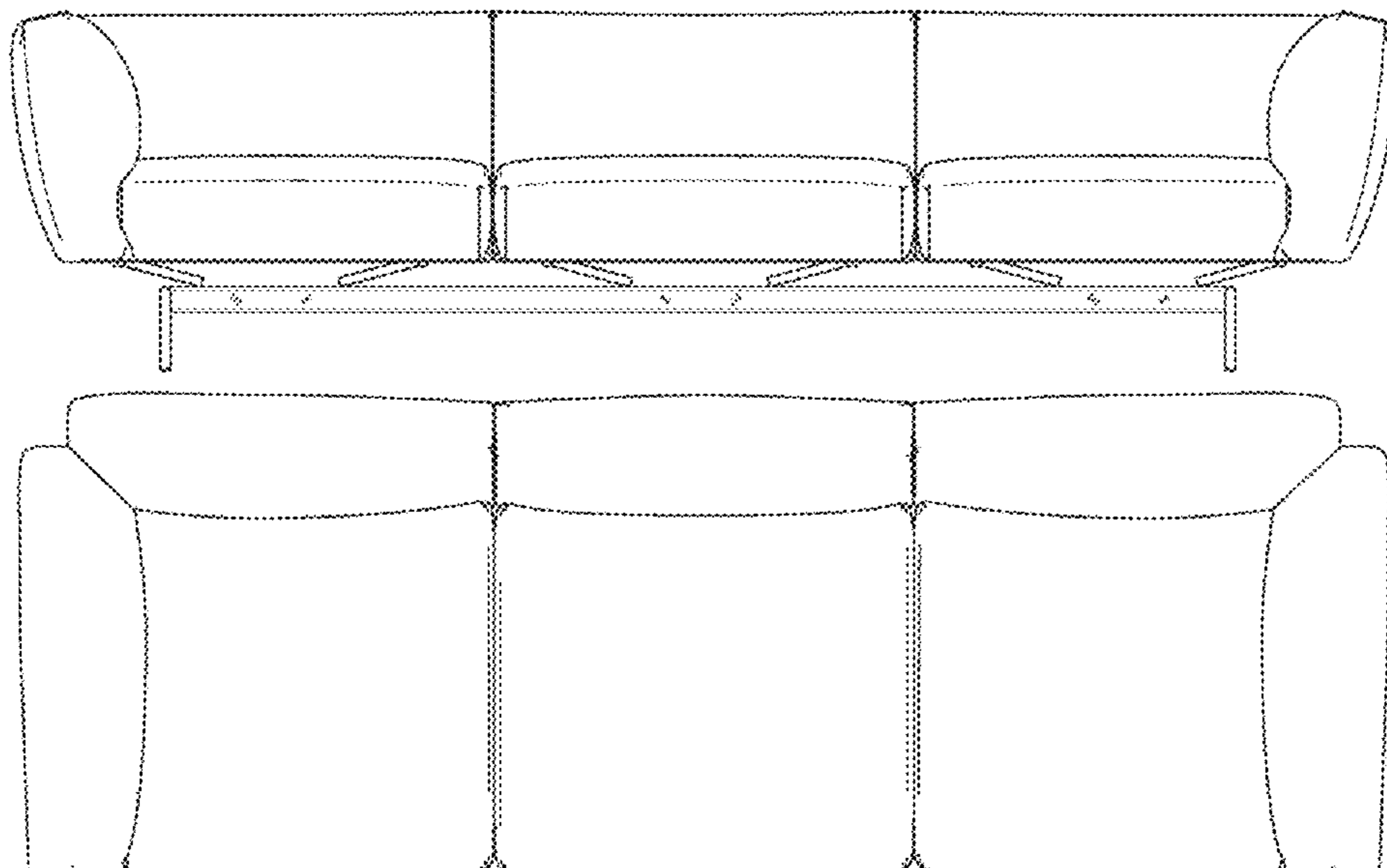
(57) **CLAIM**

The ornamental design for a sofa, as shown and described.

DESCRIPTION

FIG. 1 is a front elevational view of a sofa in accordance with the present design;
FIG. 2 is a top plan view thereof;
FIG. 3 is a bottom plan view thereof;
FIG. 4 is an exploded perspective view thereof;
FIG. 5 is a rear elevational view thereof; and,
FIG. 6 is a side elevational view thereof.
The broken lines in the drawings illustrate portions of the sofa that form no part of the claimed design.

1 Claim, 6 Drawing Sheets



(56)

References Cited

U.S. PATENT DOCUMENTS

D849,427 S	*	5/2019	Lissoni	D6/336
D850,137 S	*	6/2019	Lissoni	D6/377
D859,025 S	*	9/2019	Mart	D6/381

* cited by examiner

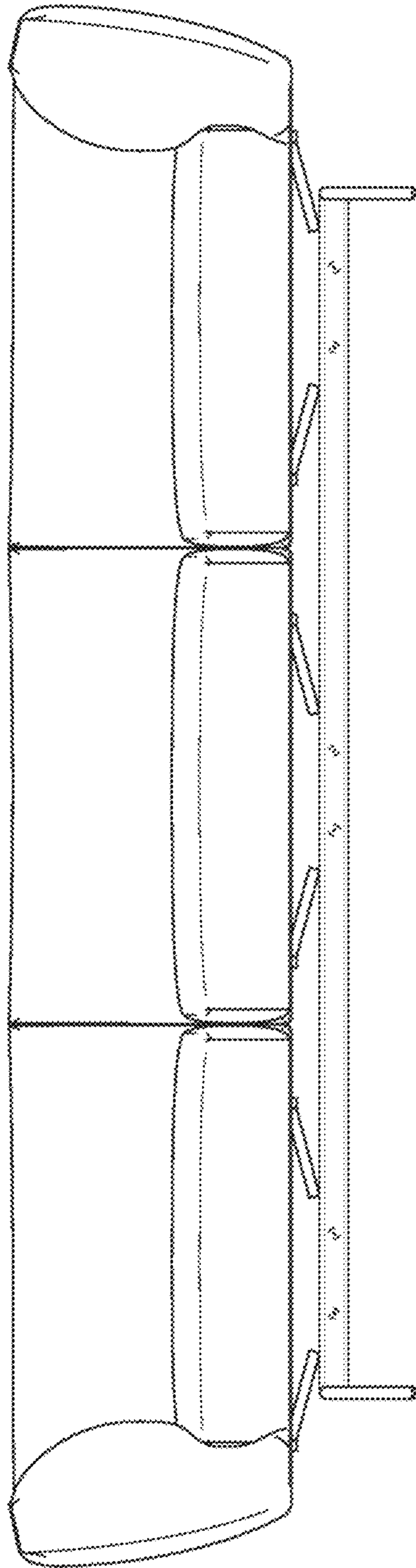


FIG. 1

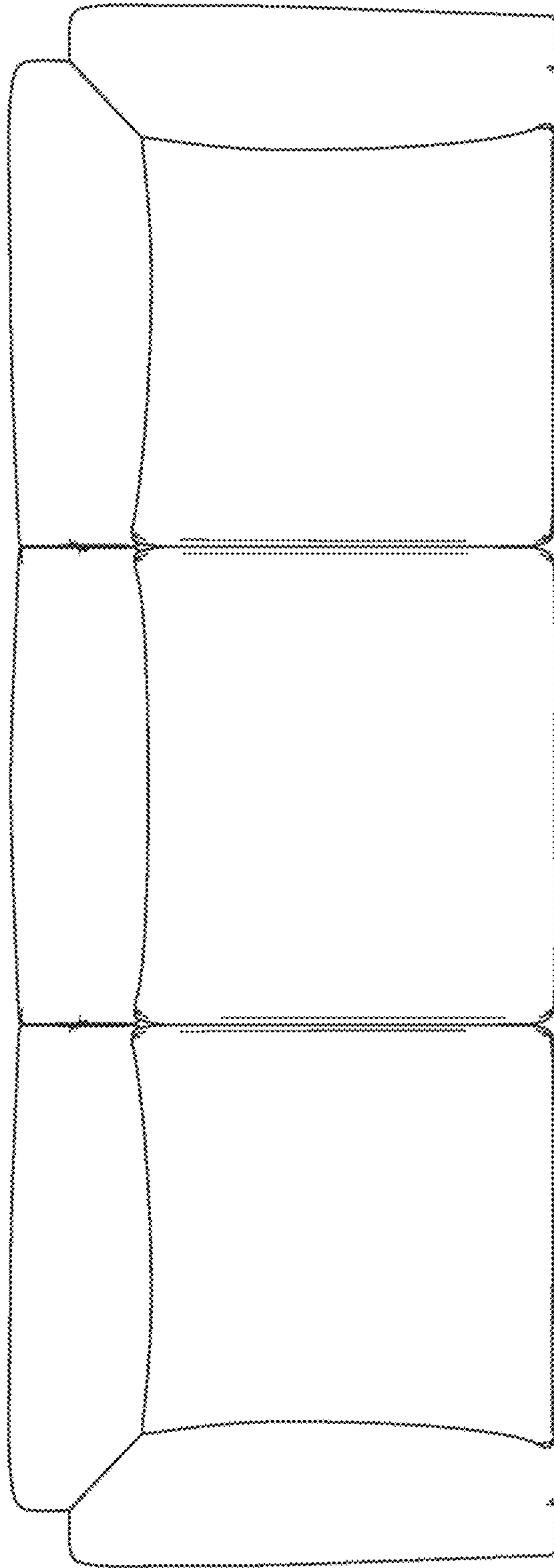


FIG. 2

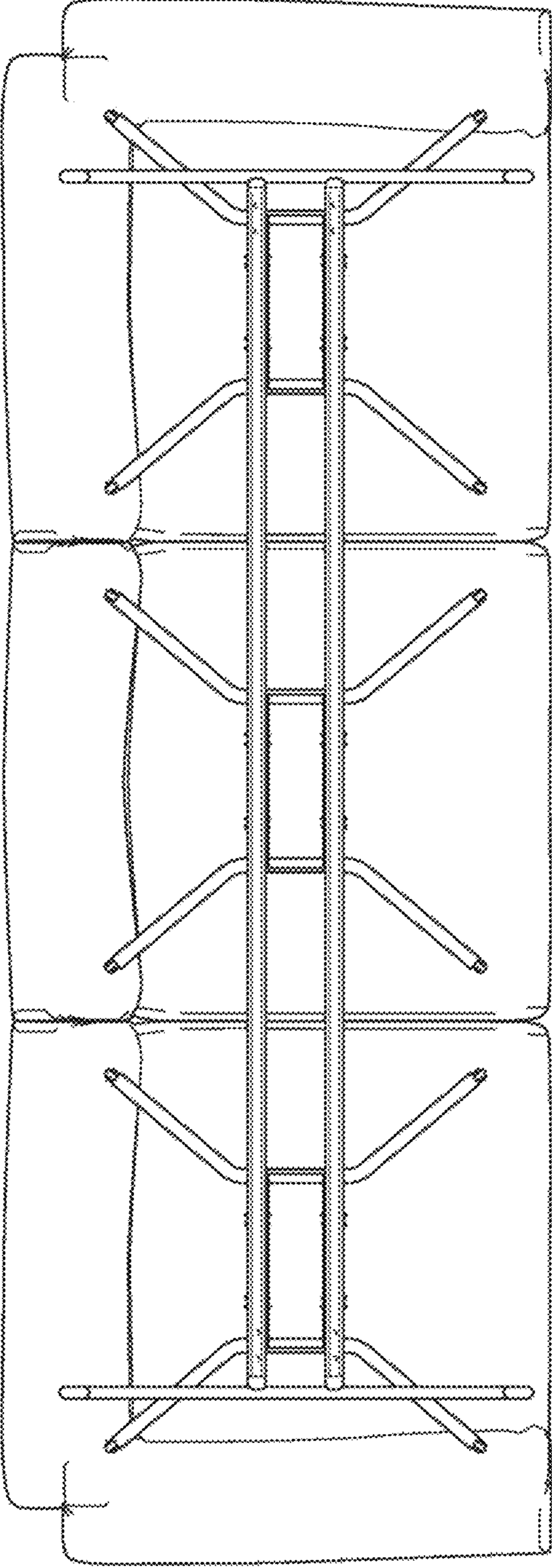


FIG. 3

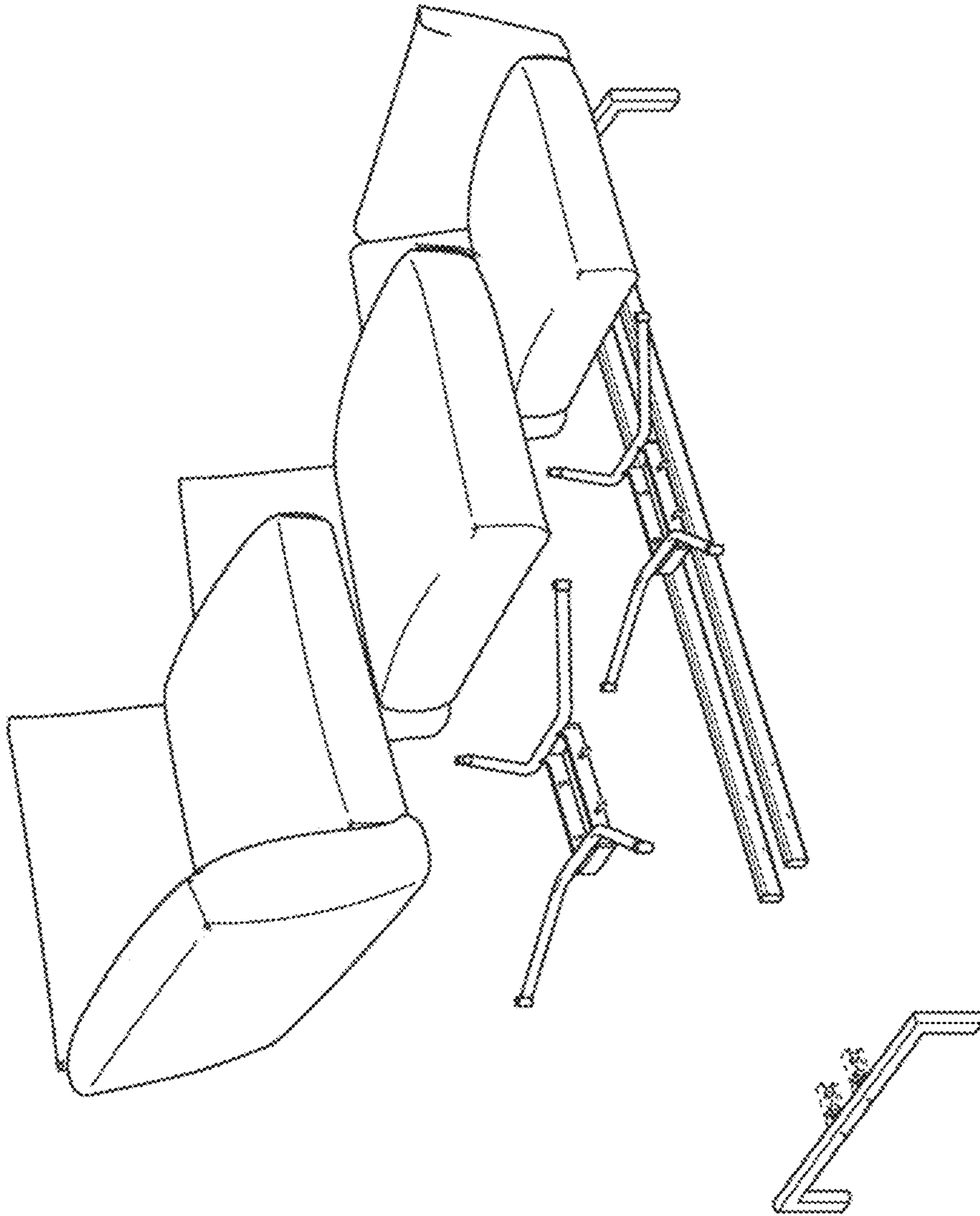


FIG. 4

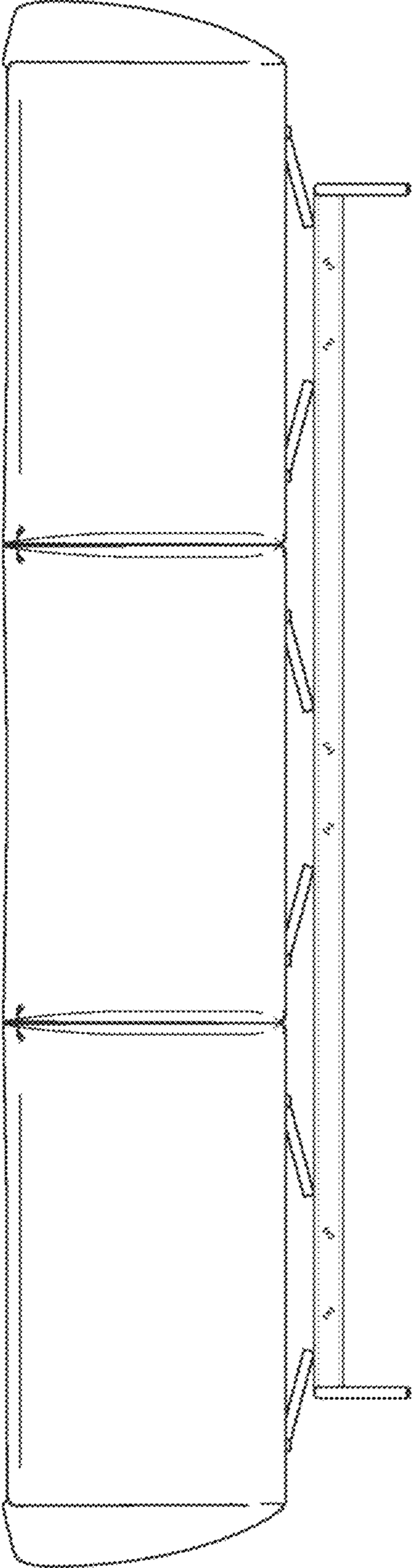


FIG. 5

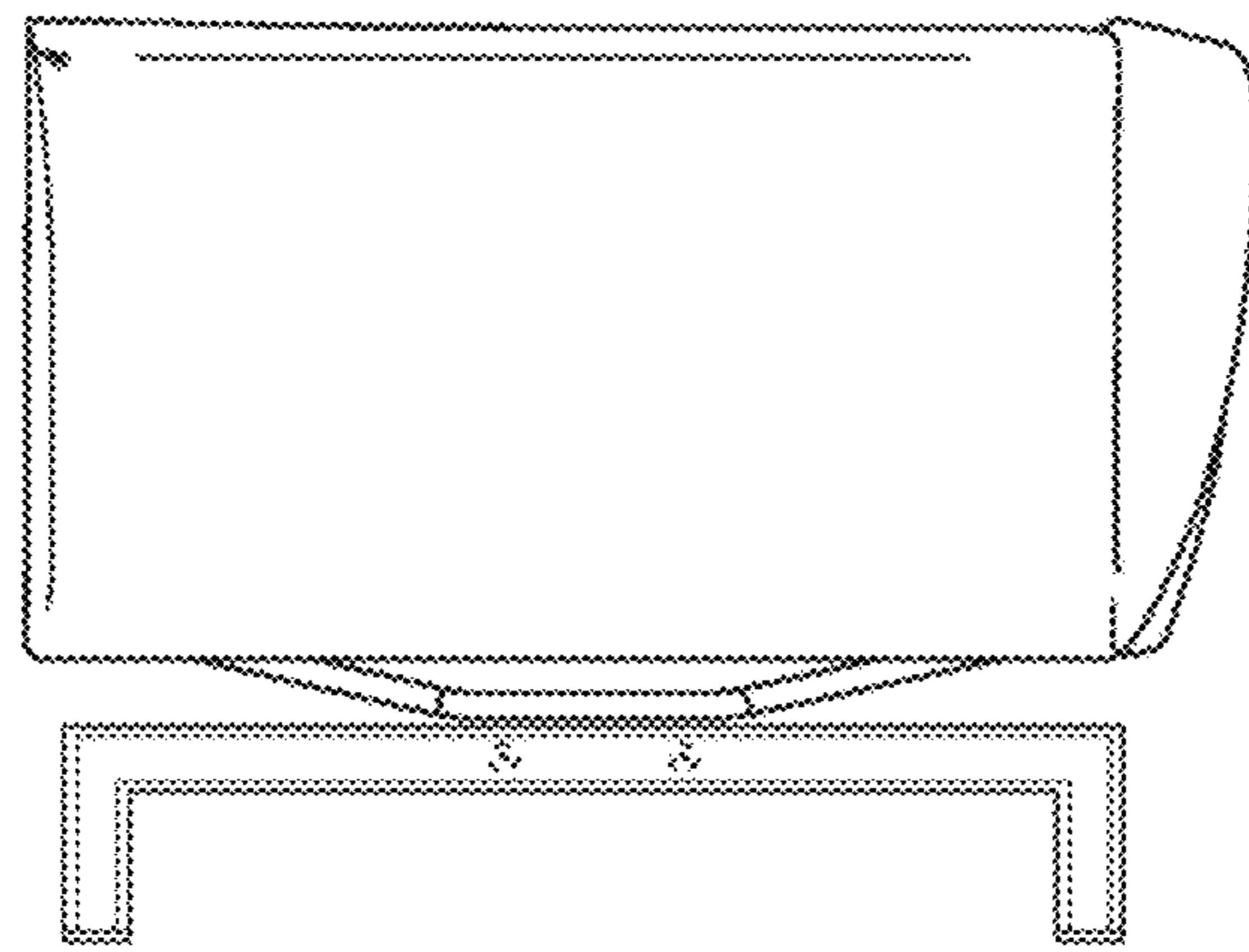


FIG. 6