



US00D882980S

(12) **United States Design Patent**  
**Koss**

(10) **Patent No.:** **US D882,980 S**

(45) **Date of Patent:** **\*\* May 5, 2020**

(54) **CHAIR HAVING CANTILEVERED SEAT**

(71) Applicant: **Michael S Koss**, Oak Park, IL (US)

(72) Inventor: **Michael S Koss**, Oak Park, IL (US)

(\*\*) Term: **15 Years**

(21) Appl. No.: **29/644,812**

(22) Filed: **Apr. 20, 2018**

(51) **LOC (12) Cl.** ..... **06-01**

(52) **U.S. Cl.**

USPC ..... **D6/374**; D6/379

(58) **Field of Classification Search**

USPC ..... D6/334-336, 371, 372, 373, 374, 375,  
D6/376, 379, 380, 716, 716.1, 716.2,  
D6/716.3, 716.4

CPC .. A47C 3/04; A47C 4/02; A47C 4/028; A47C  
4/03; A47C 4/08; A47C 5/04; A47C 5/06;  
A47C 7/16; A47C 7/18; A47C 7/24

See application file for complete search history.

(56) **References Cited**

**U.S. PATENT DOCUMENTS**

D150,683 S \* 8/1948 Eames ..... D6/374  
D169,930 S \* 6/1953 Chapman et al. .... D6/374

D171,116 S \* 12/1953 Adkinson ..... D6/374  
D188,241 S \* 6/1960 Christenson, Jr. et al. ... D6/374  
D195,620 S \* 7/1963 Chapman ..... D6/374  
D656,336 S \* 3/2012 Neil ..... D6/379  
D740,046 S \* 10/2015 Levy ..... D6/379  
D809,314 S \* 2/2018 Barber ..... D6/379  
D863,805 S \* 10/2019 Jones ..... D6/380

\* cited by examiner

*Primary Examiner* — Mimoso De

(74) *Attorney, Agent, or Firm* — Pearne & Gordon LLP

(57) **CLAIM**

The ornamental design for chair having cantilevered seat, as shown and described.

**DESCRIPTION**

FIG. 1 is a perspective view of my new invention;  
FIG. 2 is a left side view thereof, a right side view being a mirror image thereof;  
FIG. 3 is a front view thereof;  
FIG. 4 is a rear view thereof;  
FIG. 5 is a top view thereof; and,  
FIG. 6 is a bottom view thereof.

The portions of the chair shown in broken lines form no part of the claimed design.

**1 Claim, 3 Drawing Sheets**

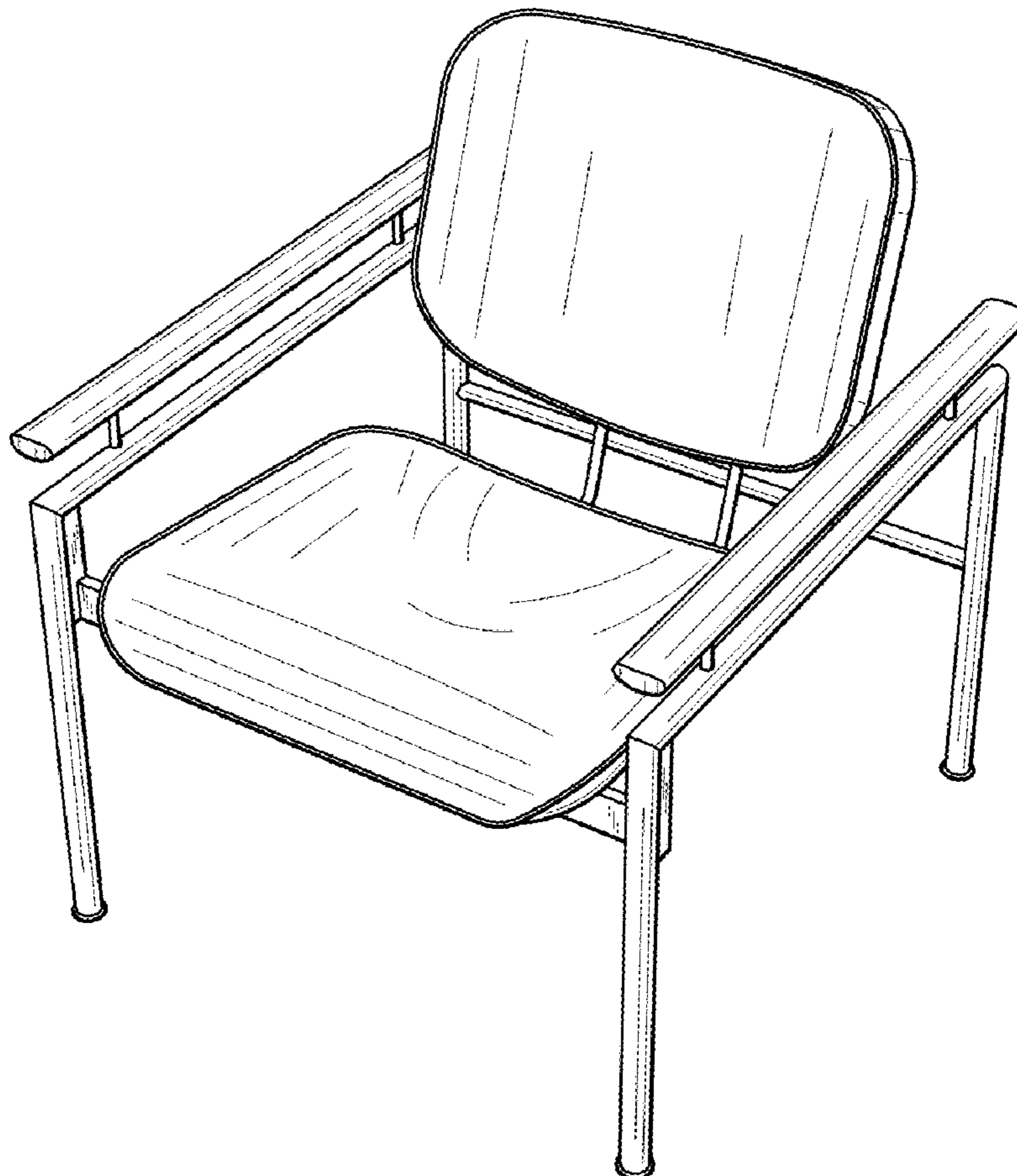


FIG. 1

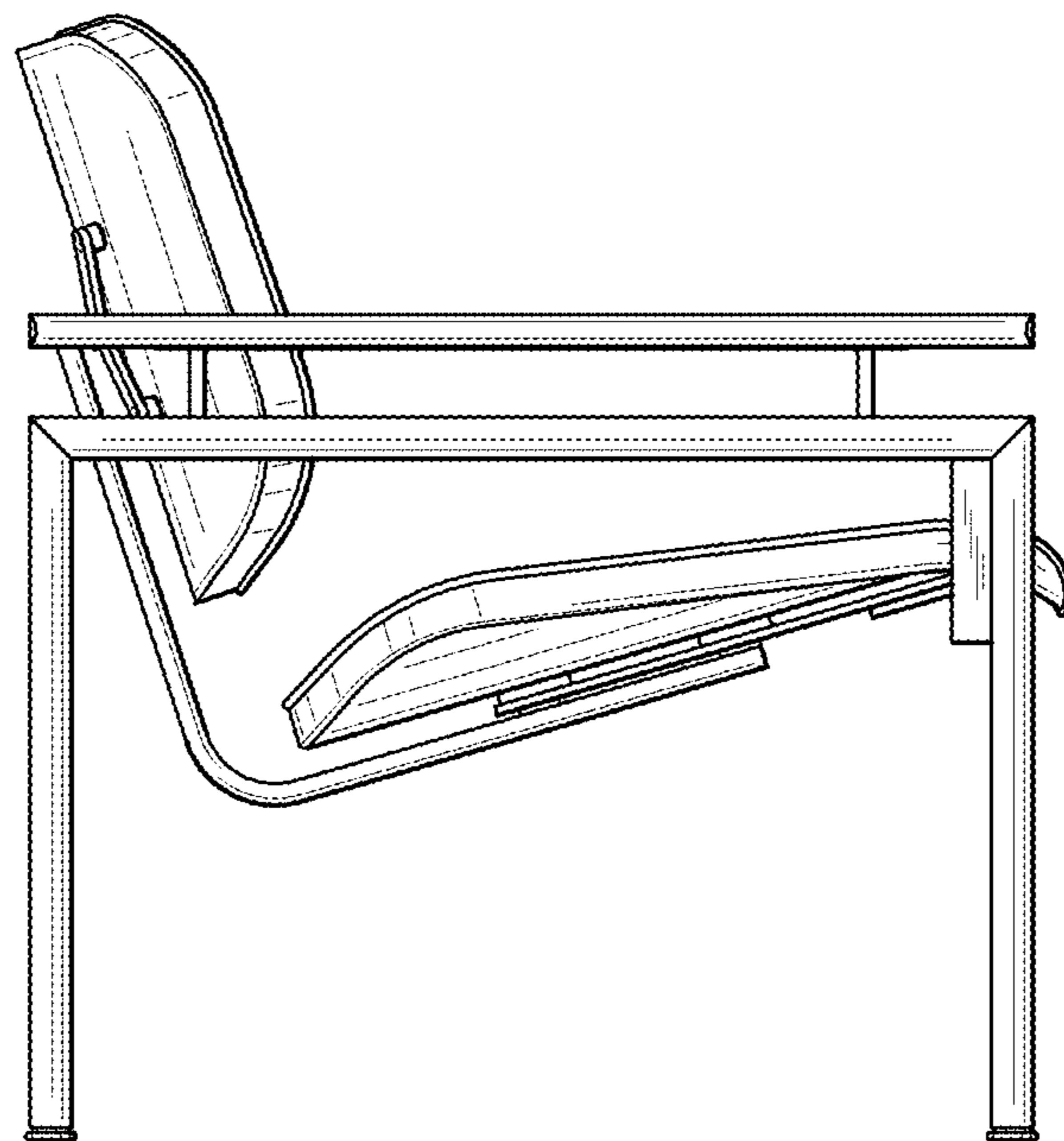
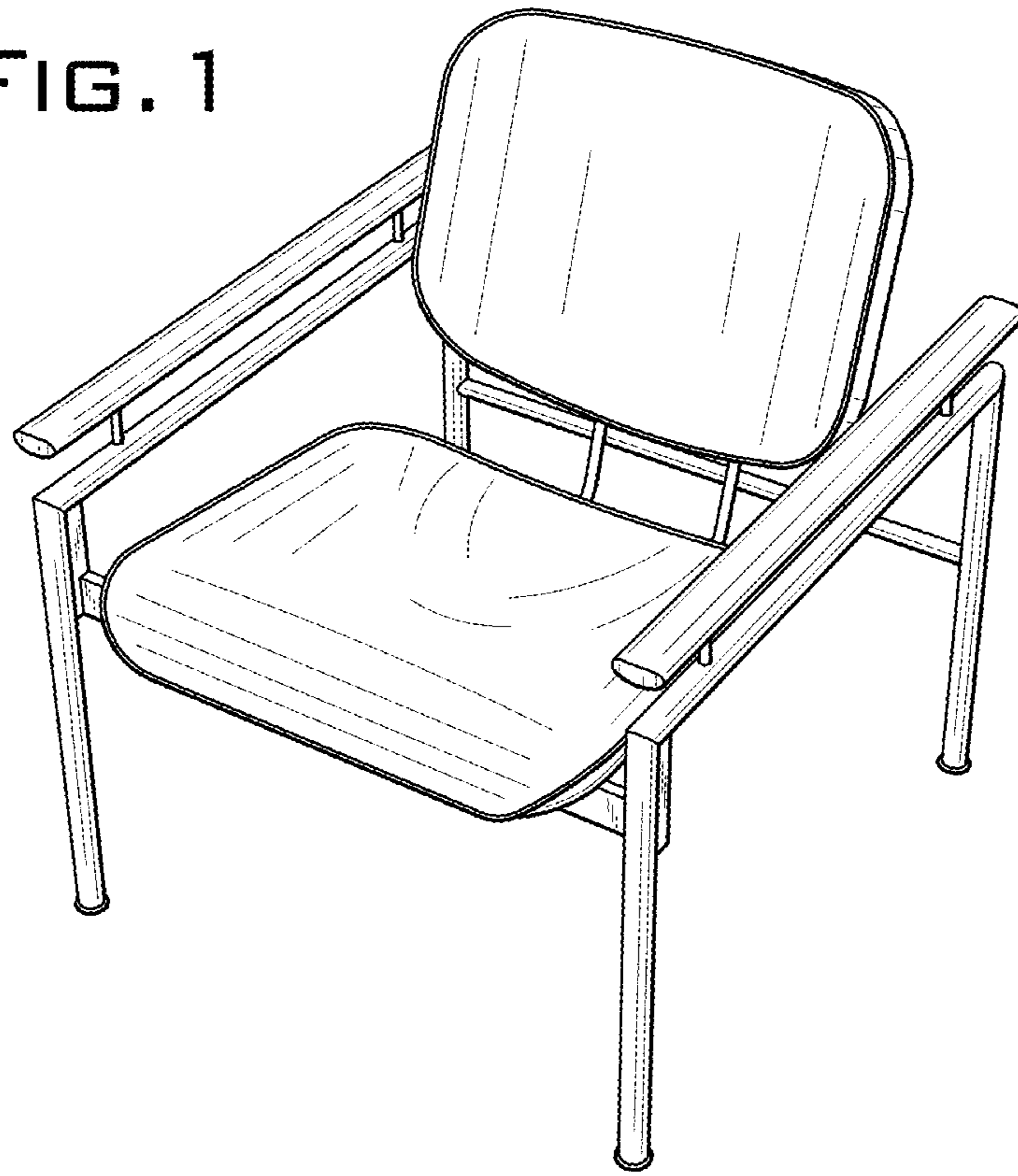


FIG. 2

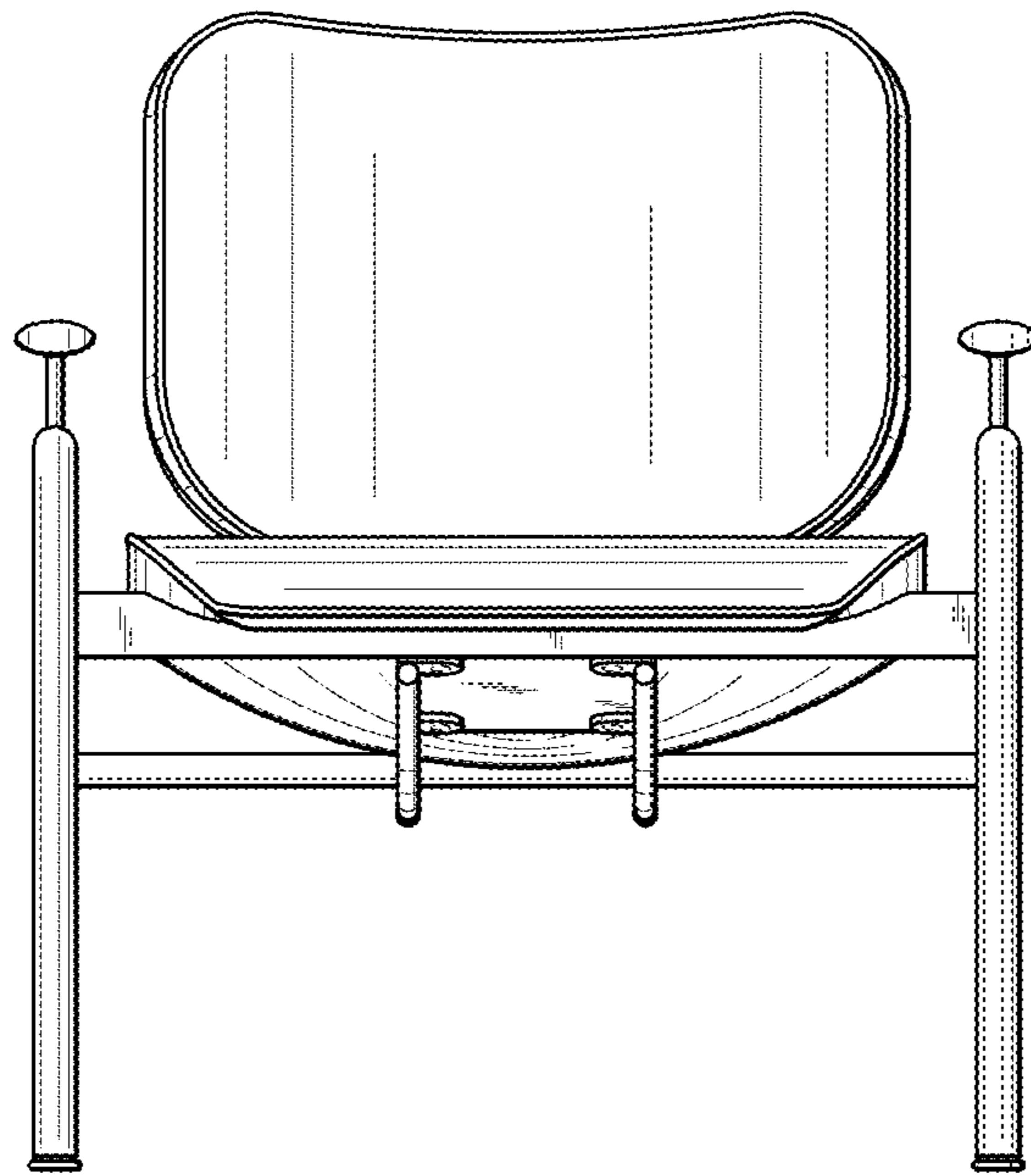


FIG. 3

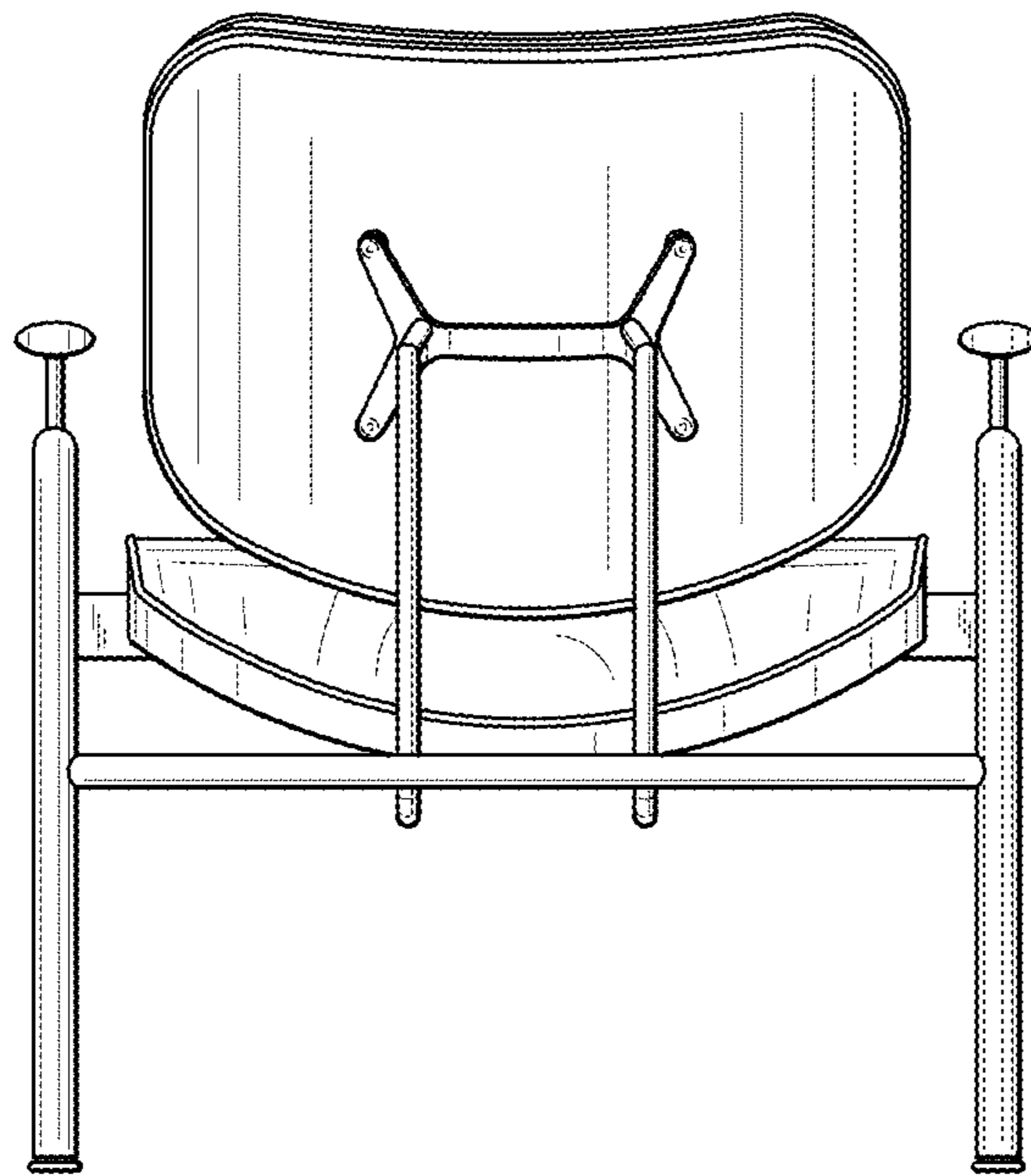


FIG. 4

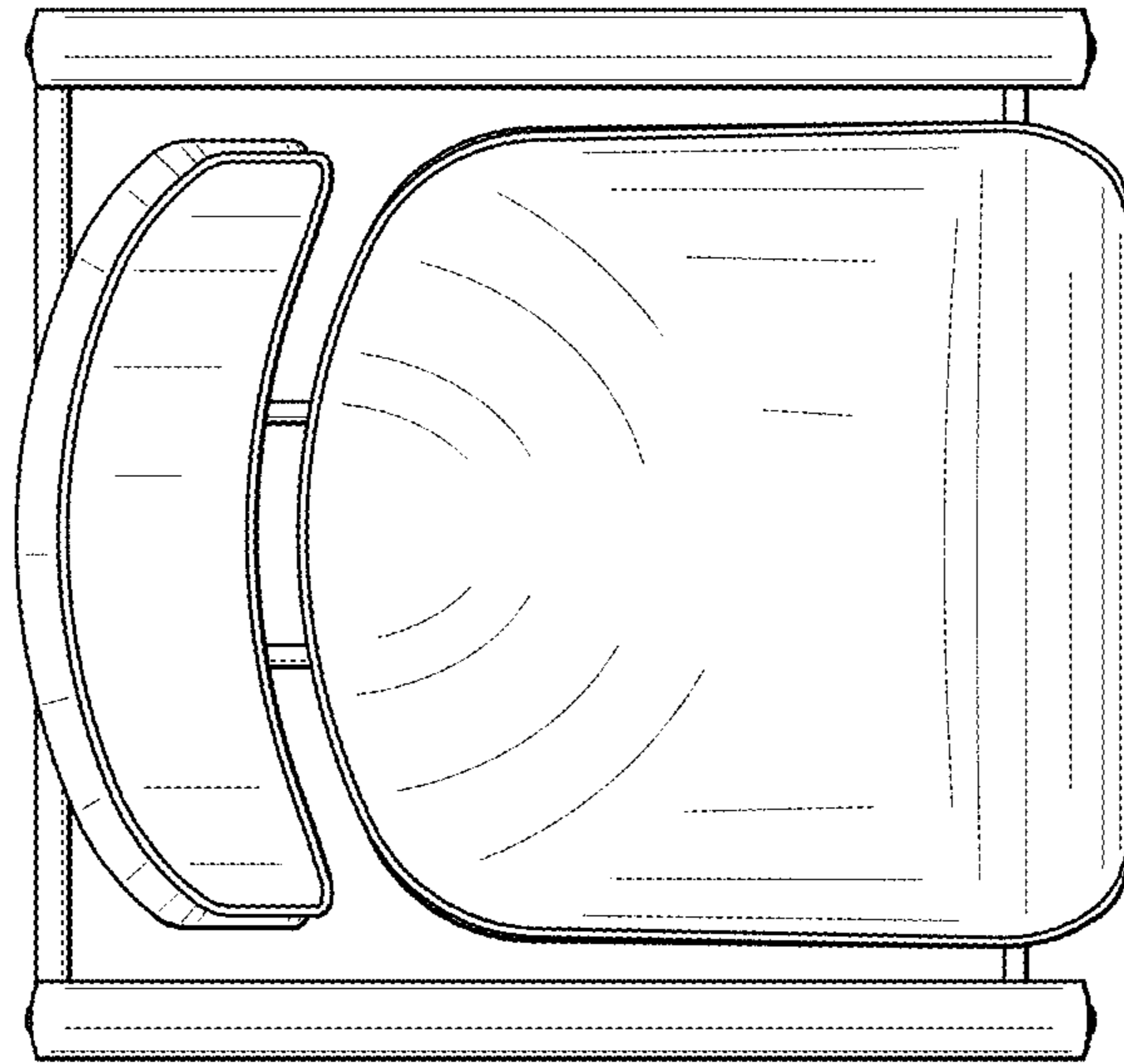


FIG. 5

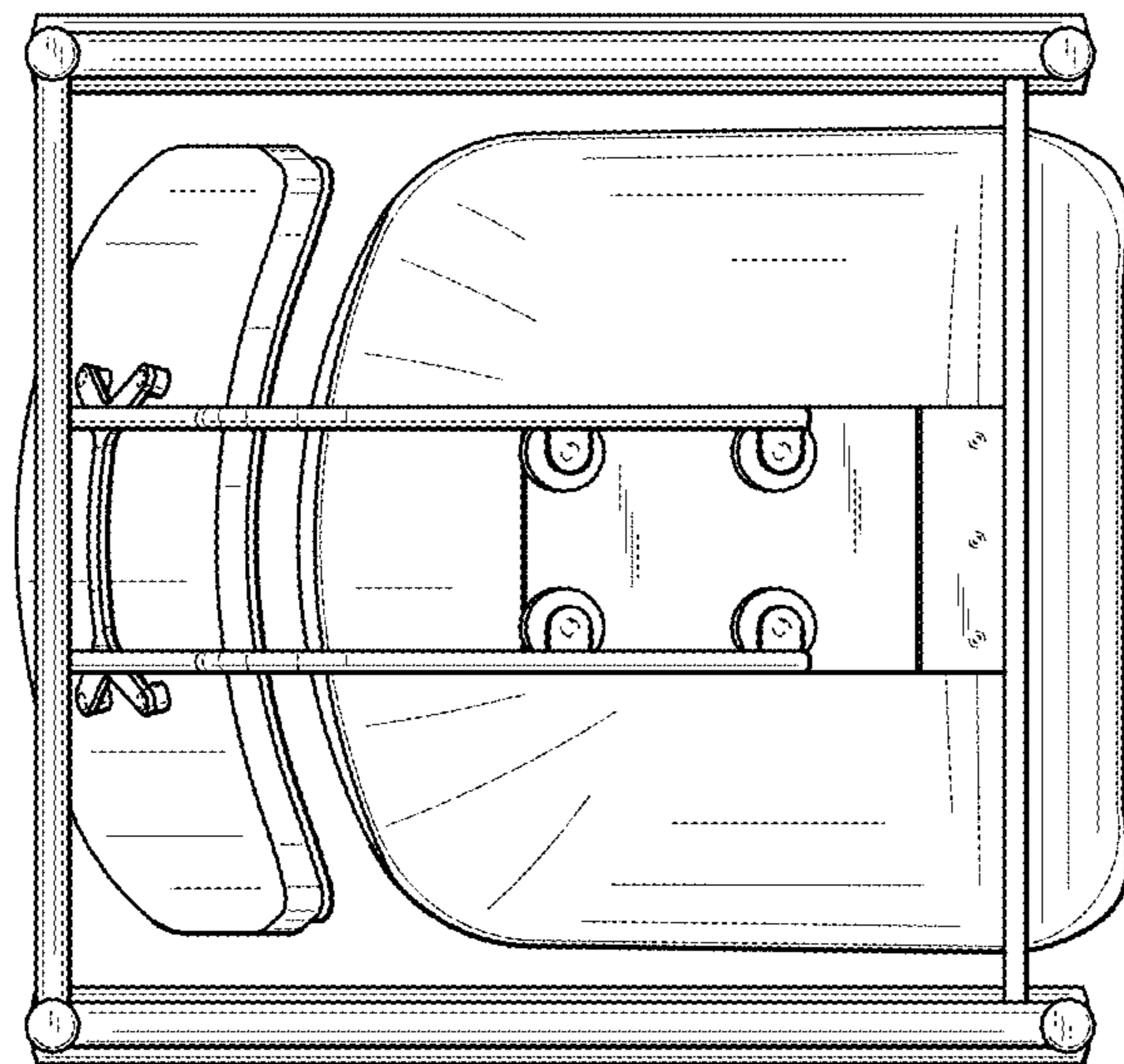


FIG. 6