



US00D882979S

(12) **United States Design Patent**
Kinoshita et al.

(10) **Patent No.:** **US D882,979 S**

(45) **Date of Patent:** **** May 5, 2020**

(54) **CHAIR**

(71) Applicant: **Kokuyo Co., Ltd.**, Osaka-shi (JP)

(72) Inventors: **Yojiro Kinoshita**, Osaka (JP); **Kazuo Oku**, Osaka (JP); **Takayoshi Kanou**, Osaka (JP); **Kenta Asano**, Osaka (JP); **Hideshi Hamaguchi**, Portland, OR (US); **Ippei Iwahara**, Portland, OR (US)

(73) Assignee: **Kokuyo Co., Ltd.**, Osaka (JP)

(**) Term: **15 Years**

(21) Appl. No.: **29/703,806**

(22) Filed: **Aug. 29, 2019**

Related U.S. Application Data

(62) Division of application No. 29/623,727, filed on Oct. 26, 2017.

(30) **Foreign Application Priority Data**

Jun. 15, 2017 (JP) 2017012884
Jun. 15, 2017 (JP) 2017012893

(51) **LOC (12) Cl.** **06-01**

(52) **U.S. Cl.**
USPC **D6/366**

(58) **Field of Classification Search**
USPC D6/334-336, 364, 365, 366, 374, 375,
D6/379, 380, 716, 716.1, 716.2, 716.4,
D6/708.23, 708.24
CPC A47C 3/24; A47C 7/004; A47C 7/282;
A47C 7/40; A47C 7/46; A47C 7/462;
A47C 7/18; A47C 7/24; A47C 7/54

See application file for complete search history.

(56) **References Cited**

U.S. PATENT DOCUMENTS

D233,101 S *	10/1974	Katoda	D6/380
D236,173 S *	8/1975	Ruf	D6/366
D273,729 S *	5/1984	Pelly	D6/366
D283,762 S *	5/1986	Caruso	D6/335
D308,604 S	6/1990	Verkerke	
D318,184 S *	7/1991	Muller-Deisig	D6/366
D397,258 S *	8/1998	Heyder	D6/366
D421,187 S	2/2000	Kaiser	
D433,833 S	11/2000	Schultz et al.	
D767,928 S *	10/2016	Silvonen	D6/366
D770,789 S *	11/2016	Chen	D6/366
D781,606 S *	3/2017	Ngo	D6/366
D828,050 S *	9/2018	Citterio	D6/375
D852,527 S *	7/2019	Heydari	D6/366

* cited by examiner

Primary Examiner — Mimoso De

(74) *Attorney, Agent, or Firm* — The Webb Law Firm

(57) **CLAIM**

The ornamental design for a chair, as shown and described.

DESCRIPTION

FIG. 1 is an upper perspective view of a chair, showing our new design;

FIG. 2 is a front elevation view thereof;

FIG. 3 is a rear elevation view thereof;

FIG. 4 is a top view thereof;

FIG. 5 is a bottom view thereof;

FIG. 6 is a right side elevation view thereof;

FIG. 7 is a left side elevation view thereof;

FIG. 8 is an enlarged end view thereof taken along lines 8-8 shown in FIG. 2; and,

FIG. 9 is an enlarged end view thereof taken along lines 9-9 shown in FIG. 2.

The broken lines in the drawings illustrate portions of the chair which form no part of the claimed design.

1 Claim, 9 Drawing Sheets

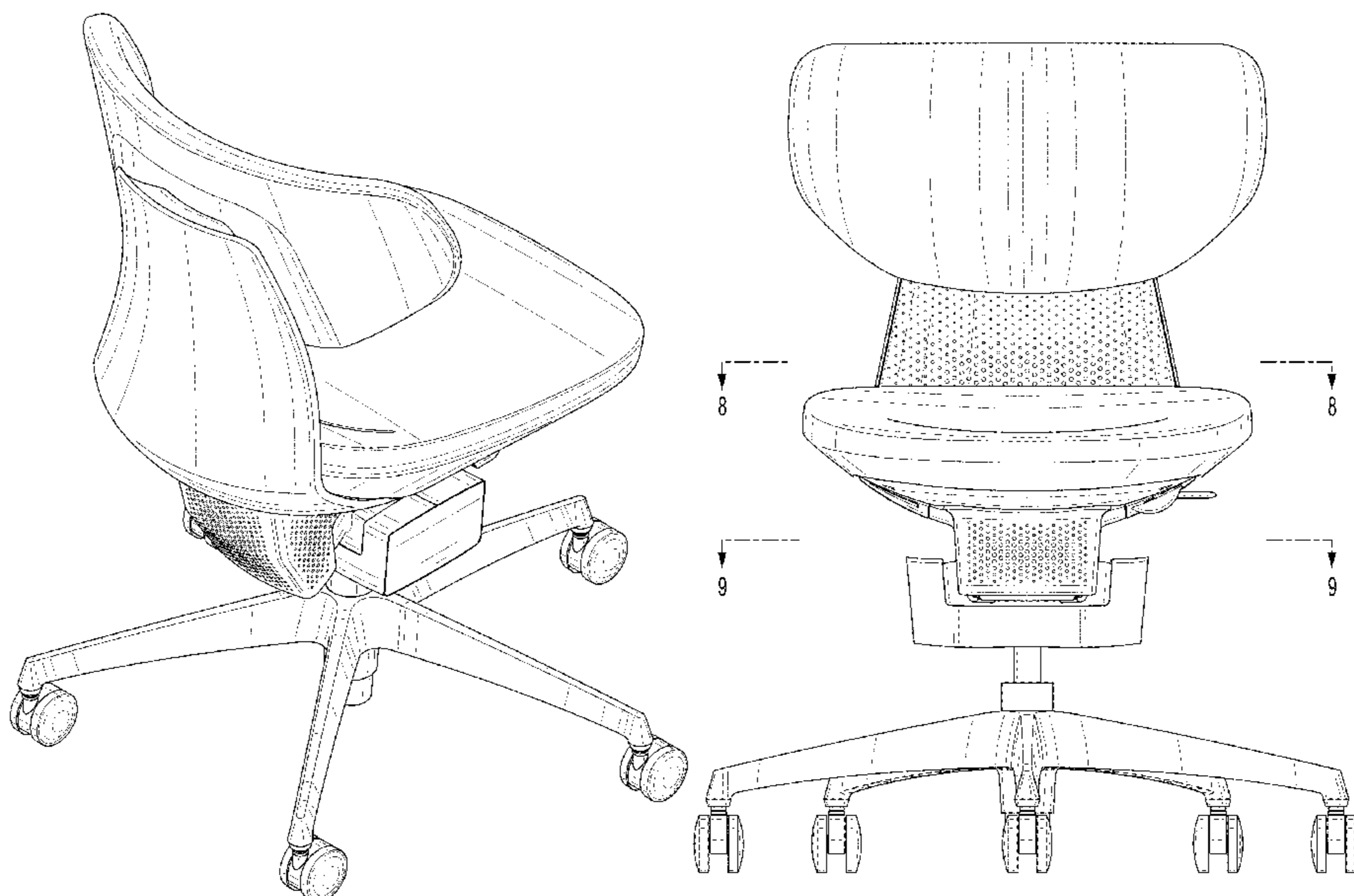




FIG. 1

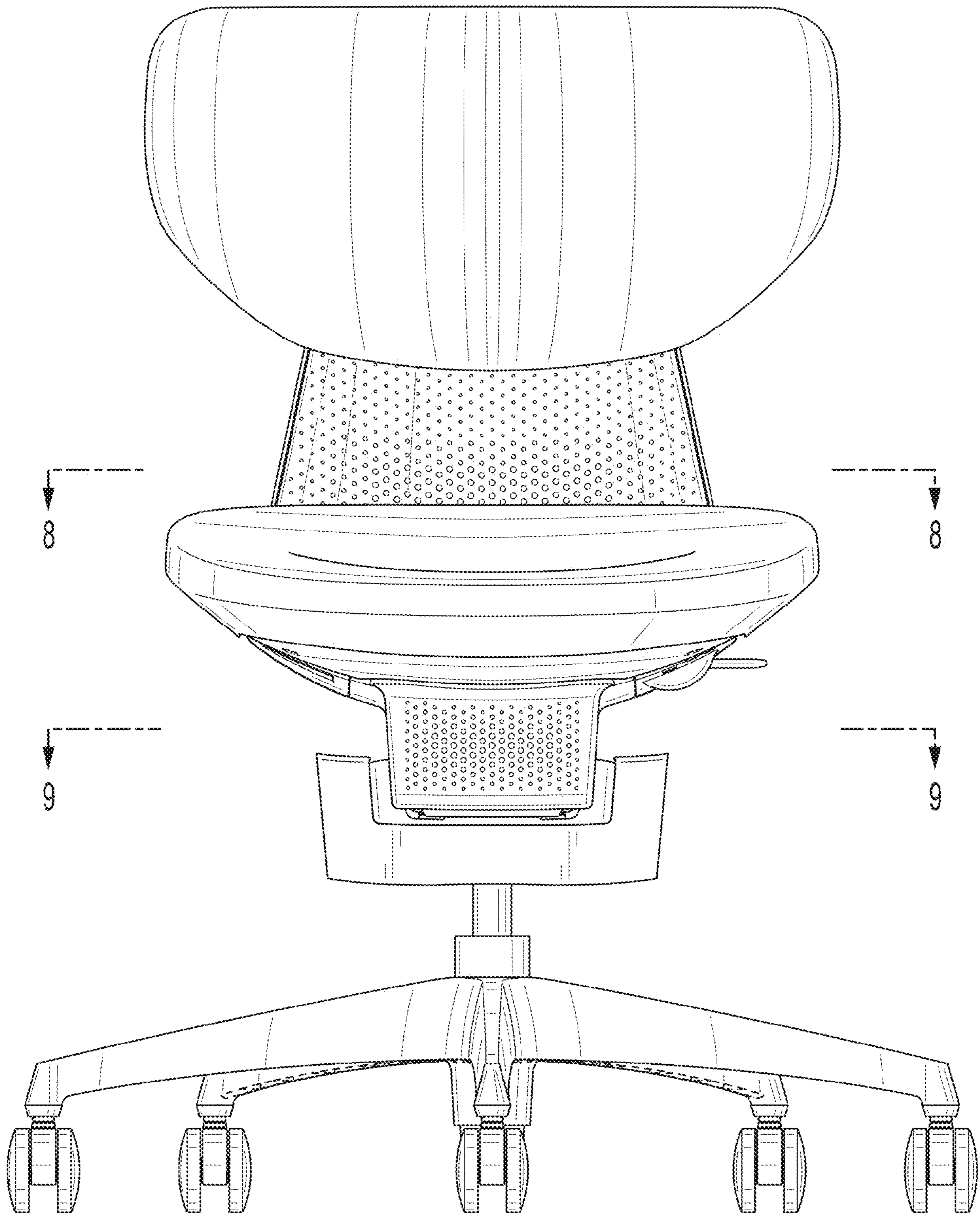


FIG. 2

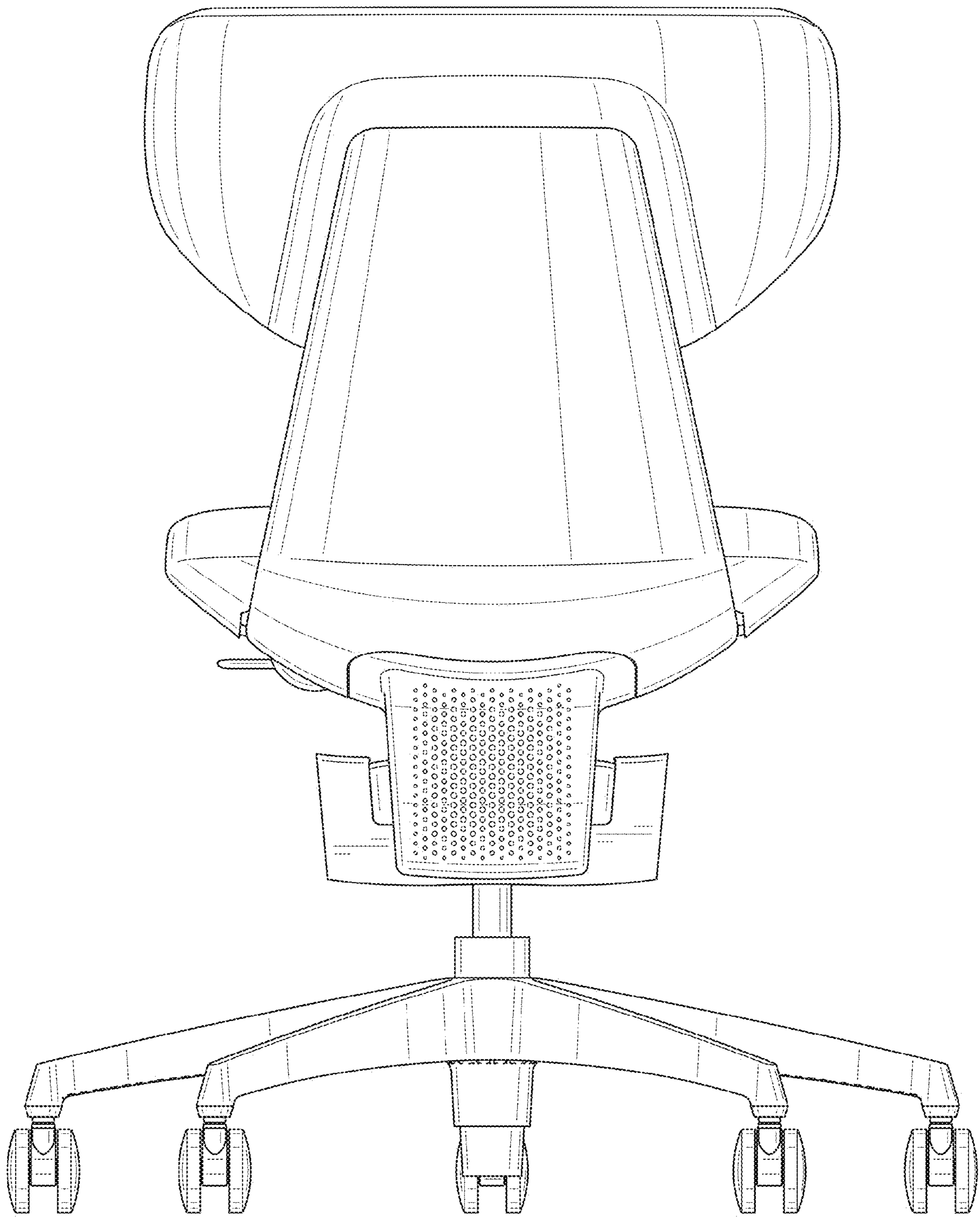


FIG. 3

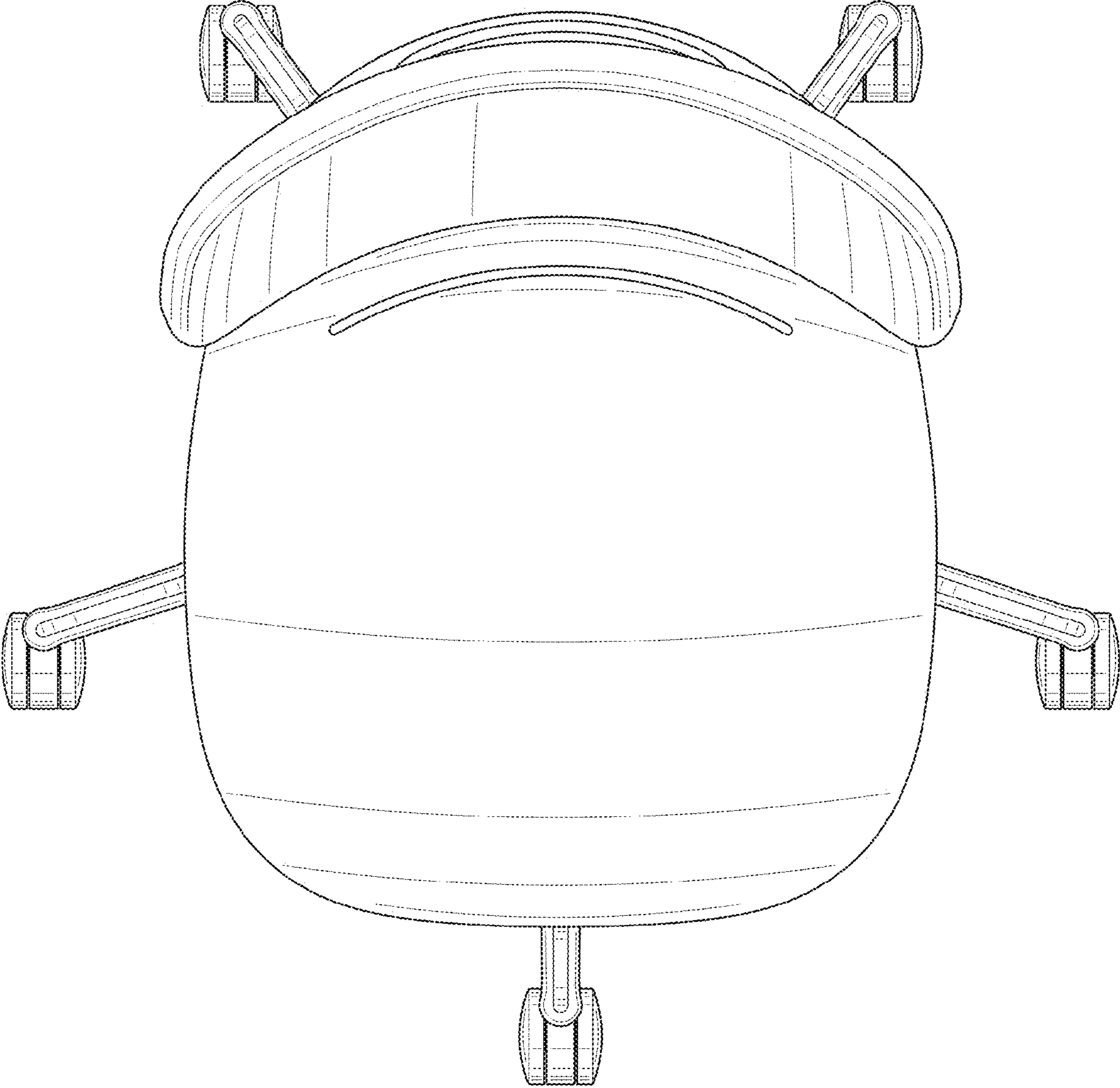


FIG. 4

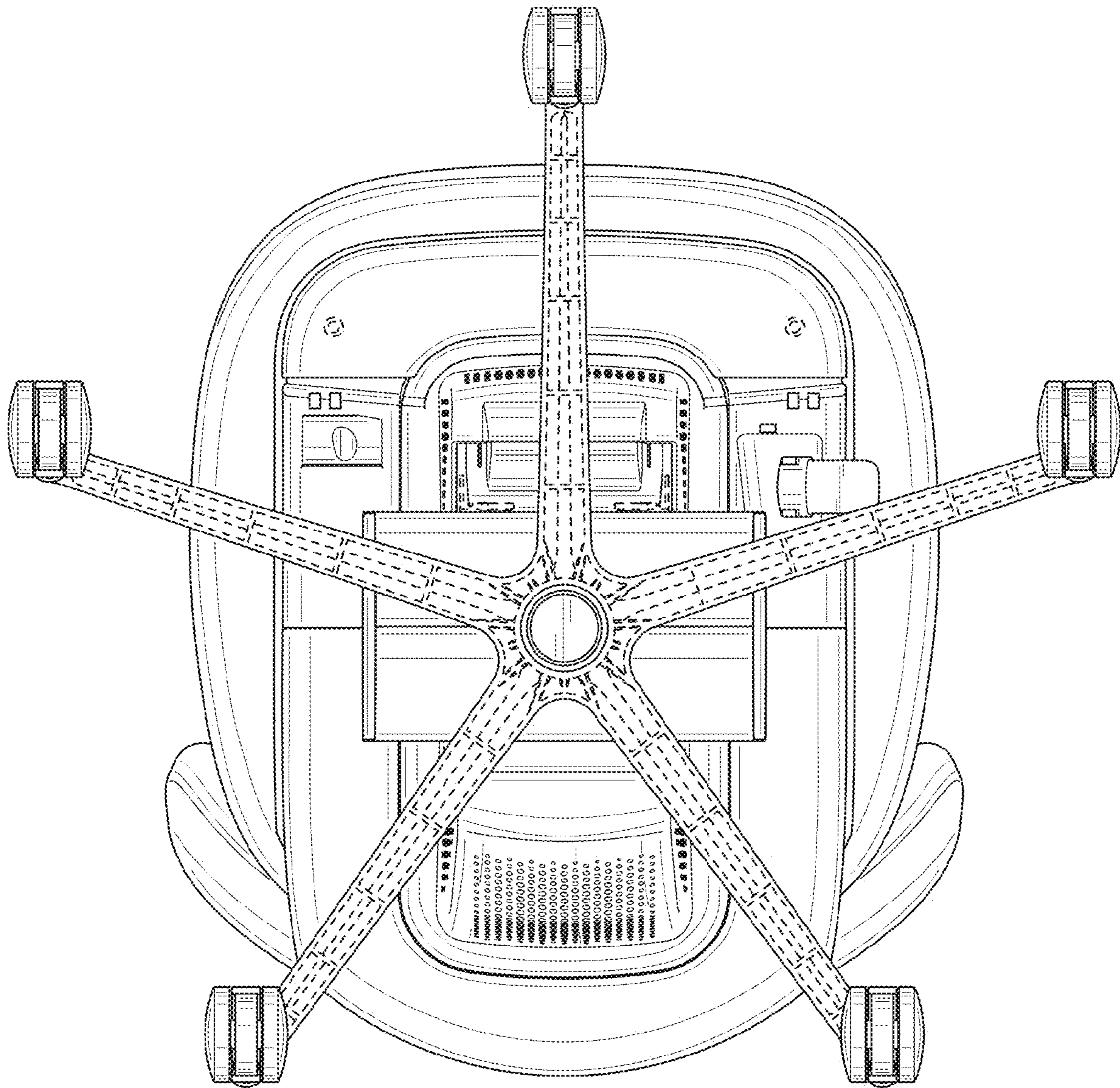


FIG. 5

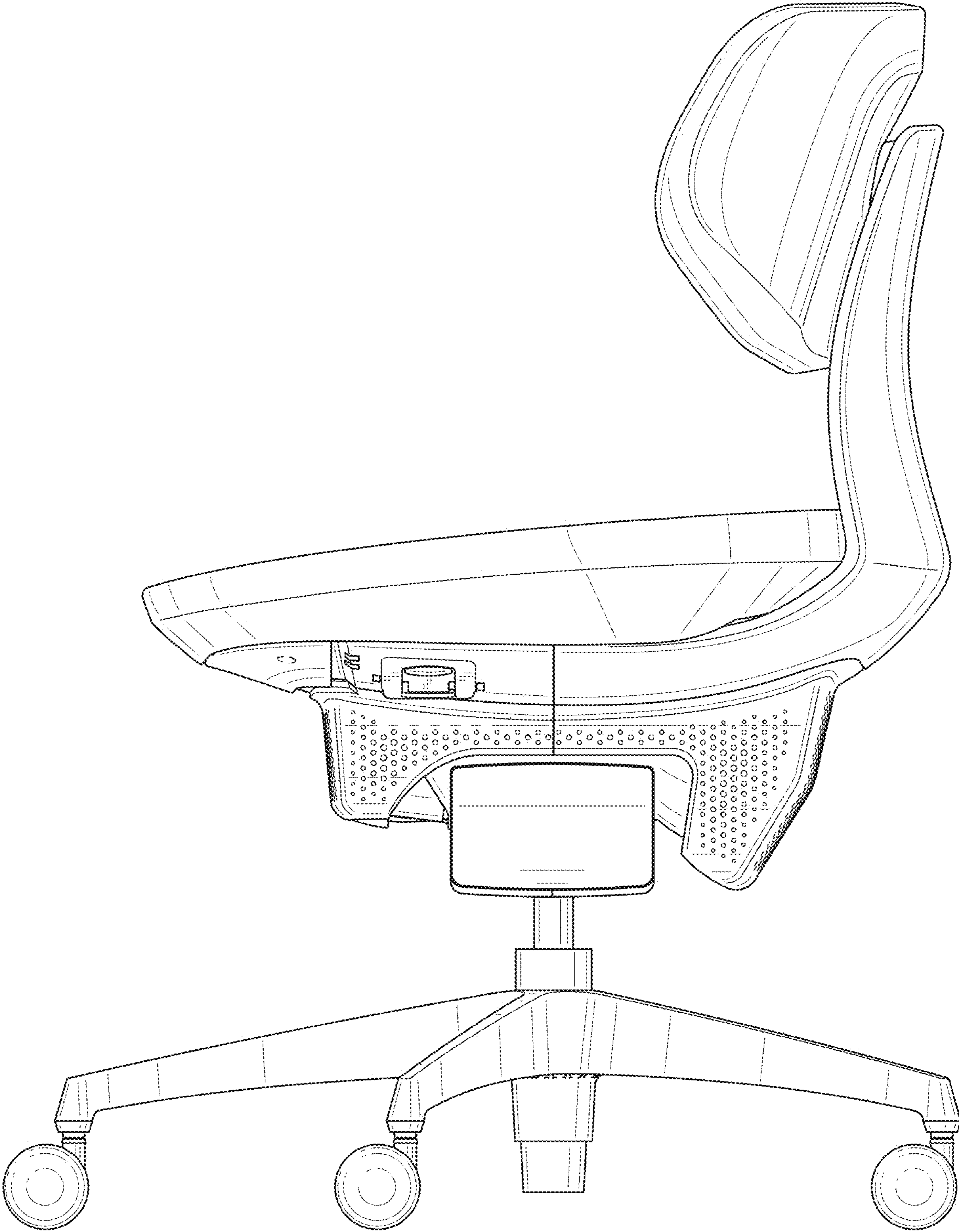


FIG. 6

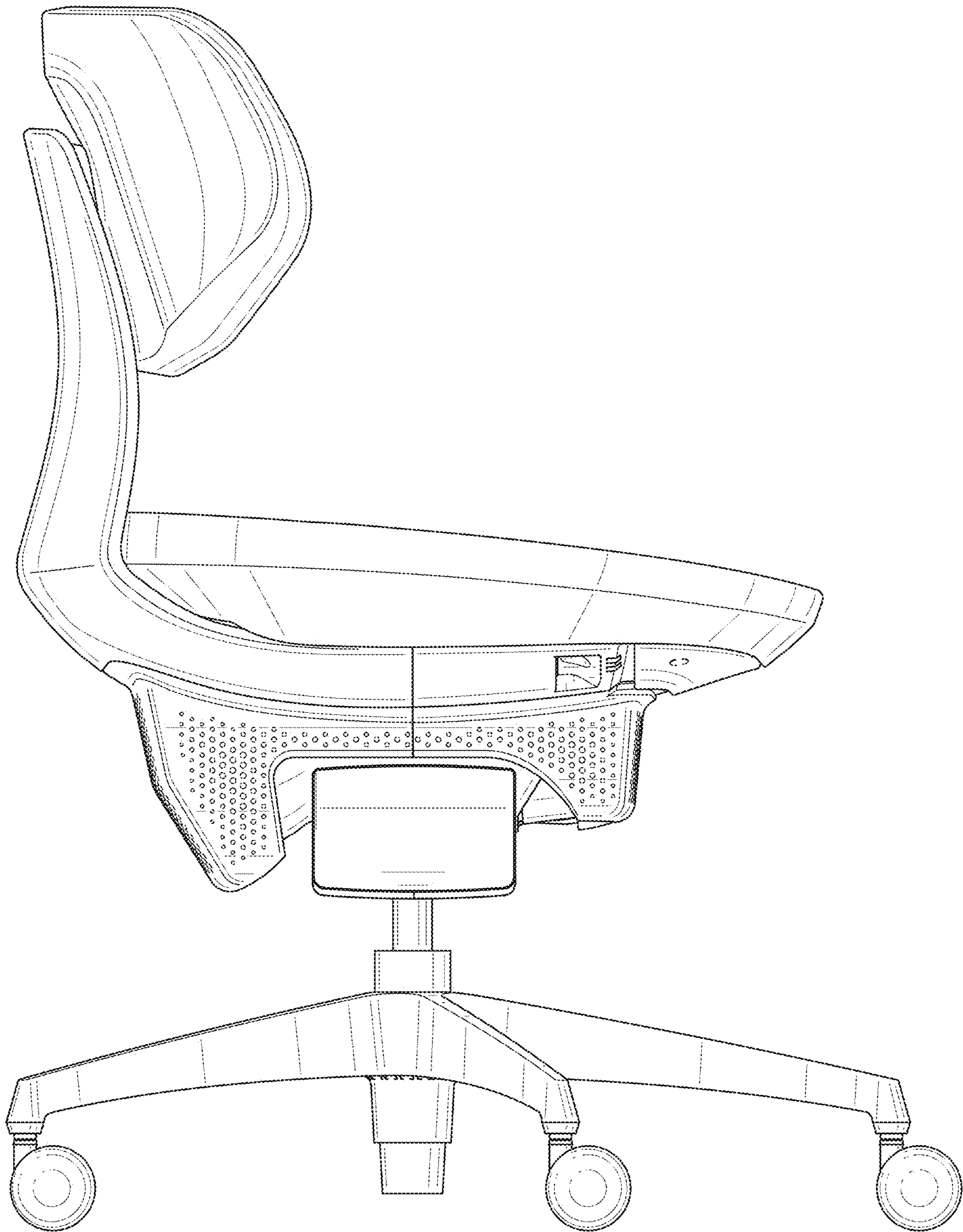


FIG. 7

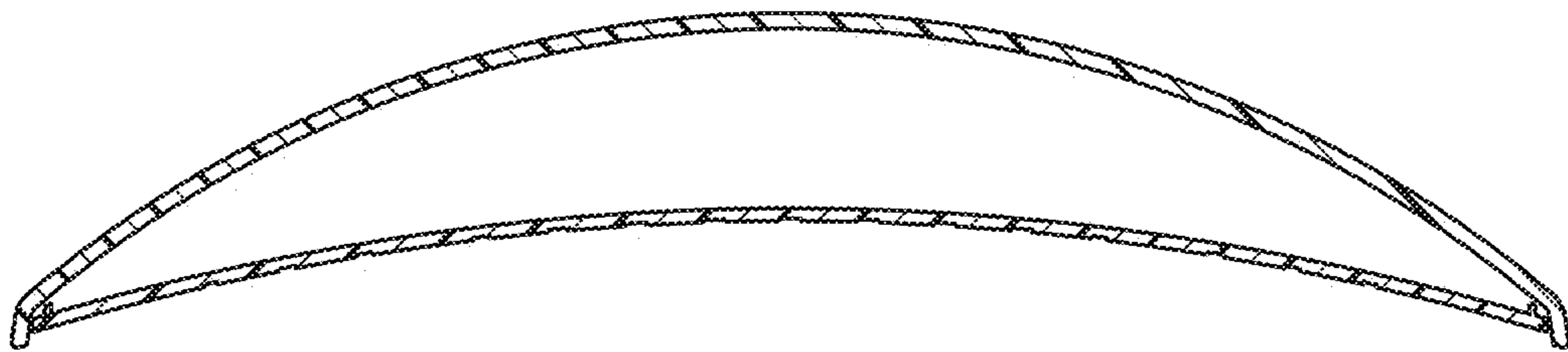


FIG. 8

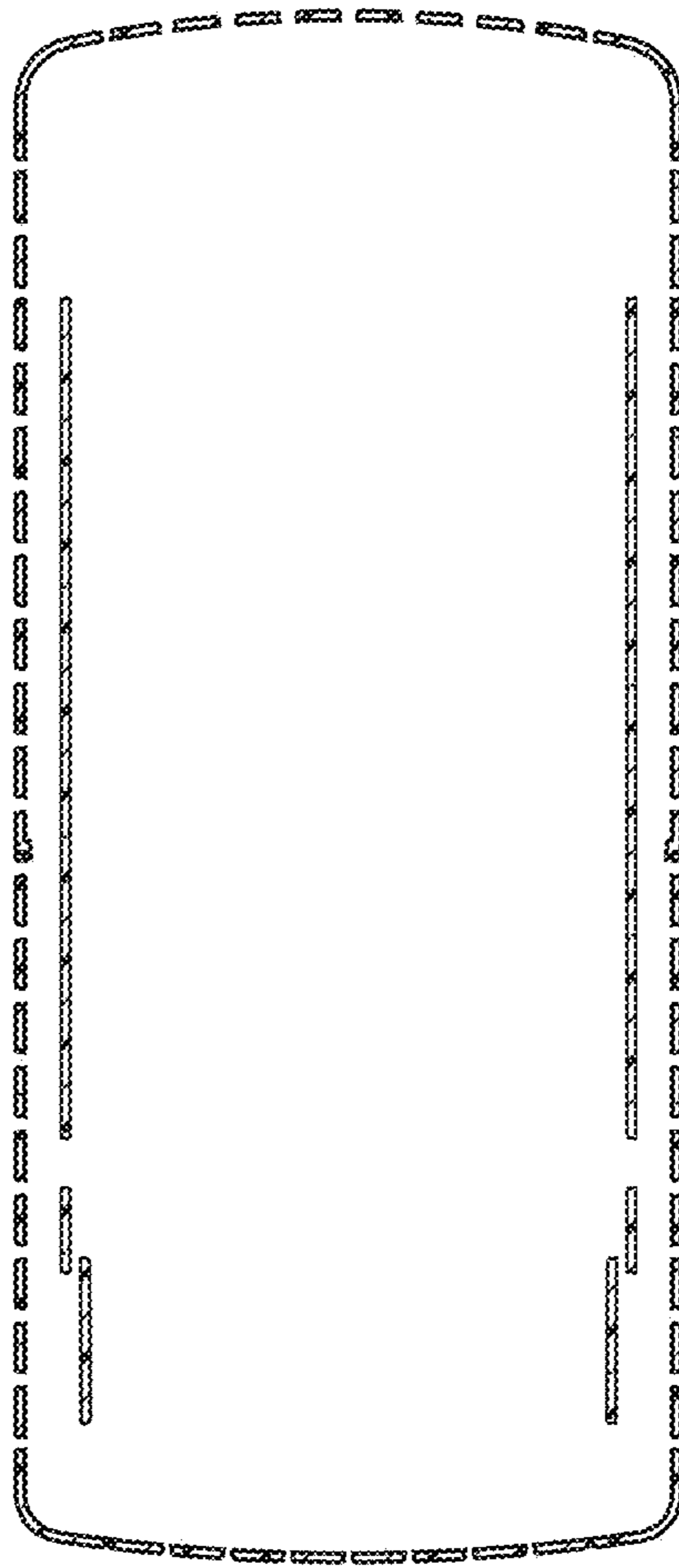


FIG. 9