



US00D882977S

(12) **United States Design Patent**  
**Kinoshita et al.**

(10) **Patent No.:** **US D882,977 S**

(45) **Date of Patent:** **\*\* May 5, 2020**

(54) **CHAIR**

(71) Applicant: **Kokuyo Co., Ltd.**, Osaka-shi (JP)

(72) Inventors: **Yojiro Kinoshita**, Osaka (JP); **Kazuo Oku**, Osaka (JP); **Takayoshi Kanou**, Osaka (JP); **Kenta Asano**, Osaka (JP); **Hideshi Hamaguchi**, Portland, OR (US); **Ippei Iwahara**, Portland, OR (US)

(73) Assignee: **Kokuyo Co., Ltd.**, Osaka (JP)

(\*\*) Term: **15 Years**

(21) Appl. No.: **29/623,727**

(22) Filed: **Oct. 26, 2017**

(30) **Foreign Application Priority Data**

Jun. 15, 2017 (JP) ..... 2017-012884  
Jun. 15, 2017 (JP) ..... 2017-012893

(51) **LOC (12) Cl.** ..... **06-01**

(52) **U.S. Cl.**  
USPC ..... **D6/366**

(58) **Field of Classification Search**  
USPC ..... D6/334-336, 364, 365, 366, 374, 379,  
D6/380, 716, 716.1, 716.2, 716.4, 708.23,  
D6/708.24  
CPC ..... A47C 3/24; A47C 7/004; A47C 7/282;  
A47C 7/40; A47C 7/46; A47C 7/462;  
A47C 7/24; A47C 7/54  
See application file for complete search history.

(56) **References Cited**

**U.S. PATENT DOCUMENTS**

D233,101 S 10/1974 Katoda  
D236,173 S 8/1975 Ruf

D273,729 S 5/1984 Pelly et al.  
D283,762 S 5/1986 Caruso  
D308,604 S \* 6/1990 Verkerke ..... D6/334  
D318,184 S \* 7/1991 Muller-Deisig ..... D6/366  
D397,258 S \* 8/1998 Heyder ..... D6/366  
D421,187 S \* 2/2000 Kaiser ..... D6/334  
D433,833 S \* 11/2000 Schultz ..... D6/366  
D767,928 S 10/2016 Silvonon  
D770,789 S 11/2016 Chen et al.  
D781,606 S 3/2017 Ngo  
D828,050 S 9/2018 Citterio  
D852,527 S 7/2019 Heydari et al.

\* cited by examiner

*Primary Examiner* — Mimosa De

(74) *Attorney, Agent, or Firm* — The Webb Law Firm

(57) **CLAIM**

The ornamental design for a chair, as shown and described.

**DESCRIPTION**

FIG. 1 is an upper perspective view of a chair, showing our new design;  
FIG. 2 is a front elevation view thereof;  
FIG. 3 is a rear elevation view thereof;  
FIG. 4 is a top view thereof;  
FIG. 5 is a bottom view thereof;  
FIG. 6 is a right side elevation view thereof;  
FIG. 7 is a left side elevation view thereof;  
FIG. 8 is an enlarged end view thereof taken along lines 8-8 shown in FIG. 2; and,  
FIG. 9 is an enlarged end view thereof taken along lines 9-9 shown in FIG. 2.

The broken lines in the drawings illustrate portions of the chair which form no part of the claimed design.

**1 Claim, 9 Drawing Sheets**

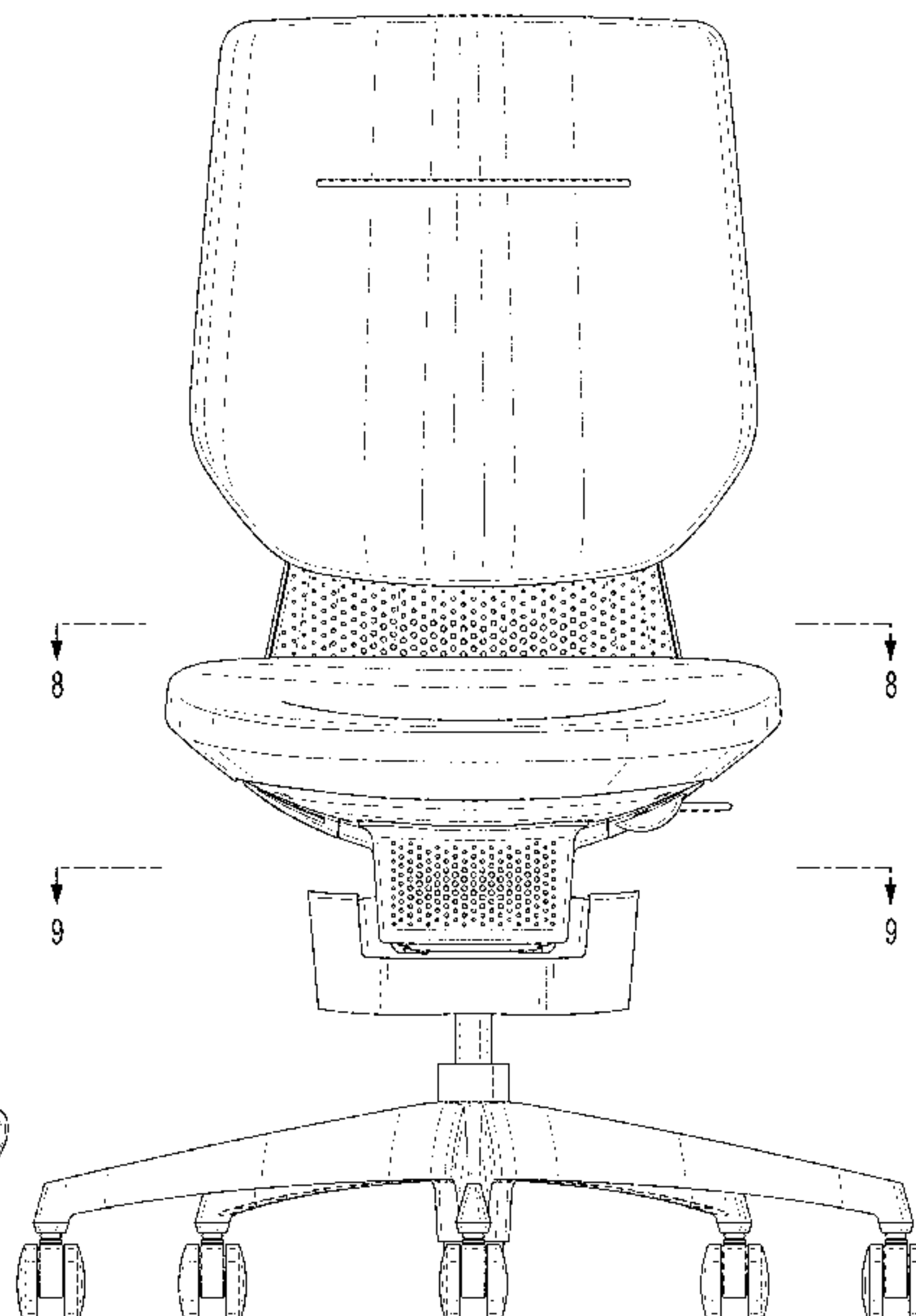




FIG. 1

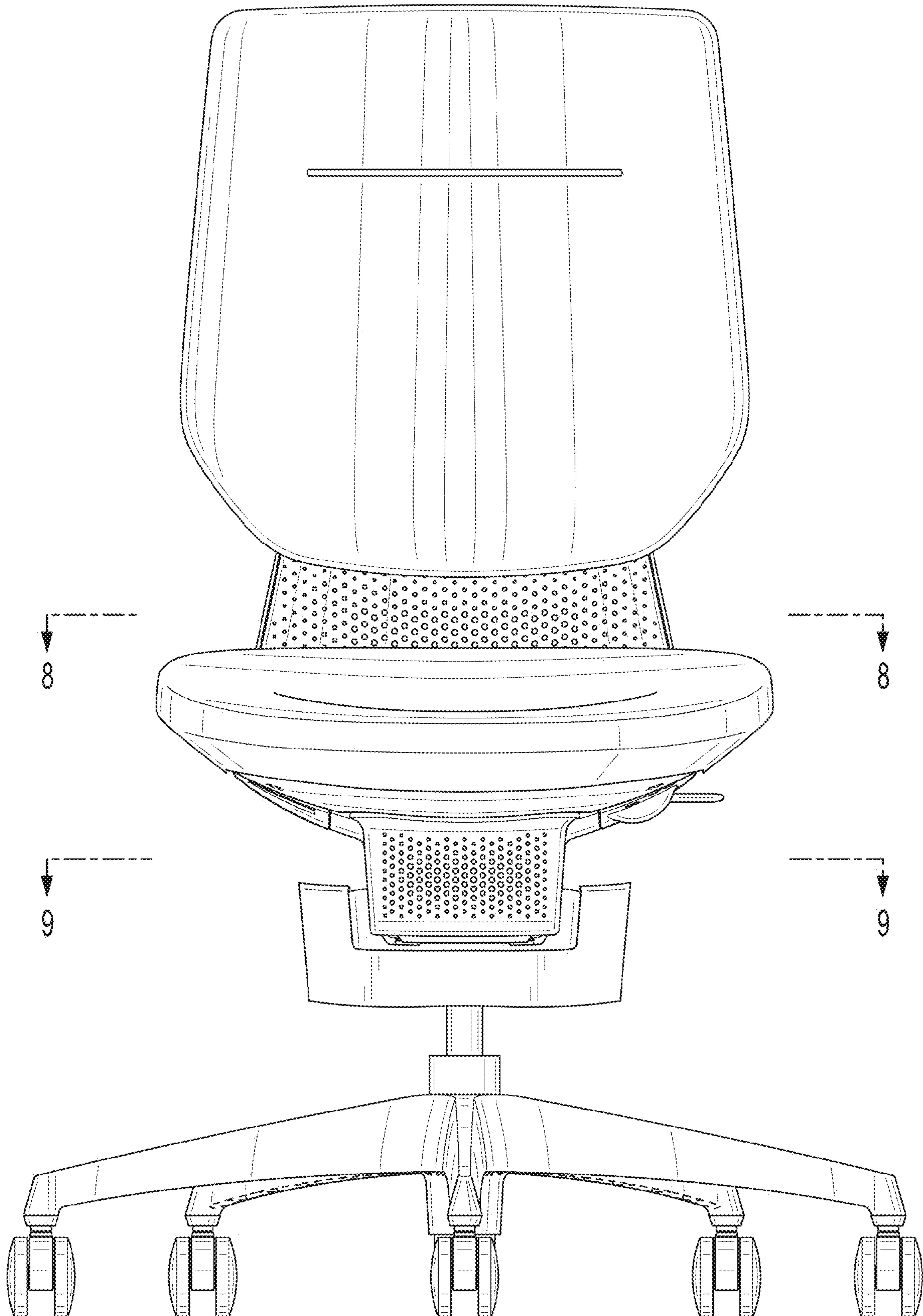


FIG. 2



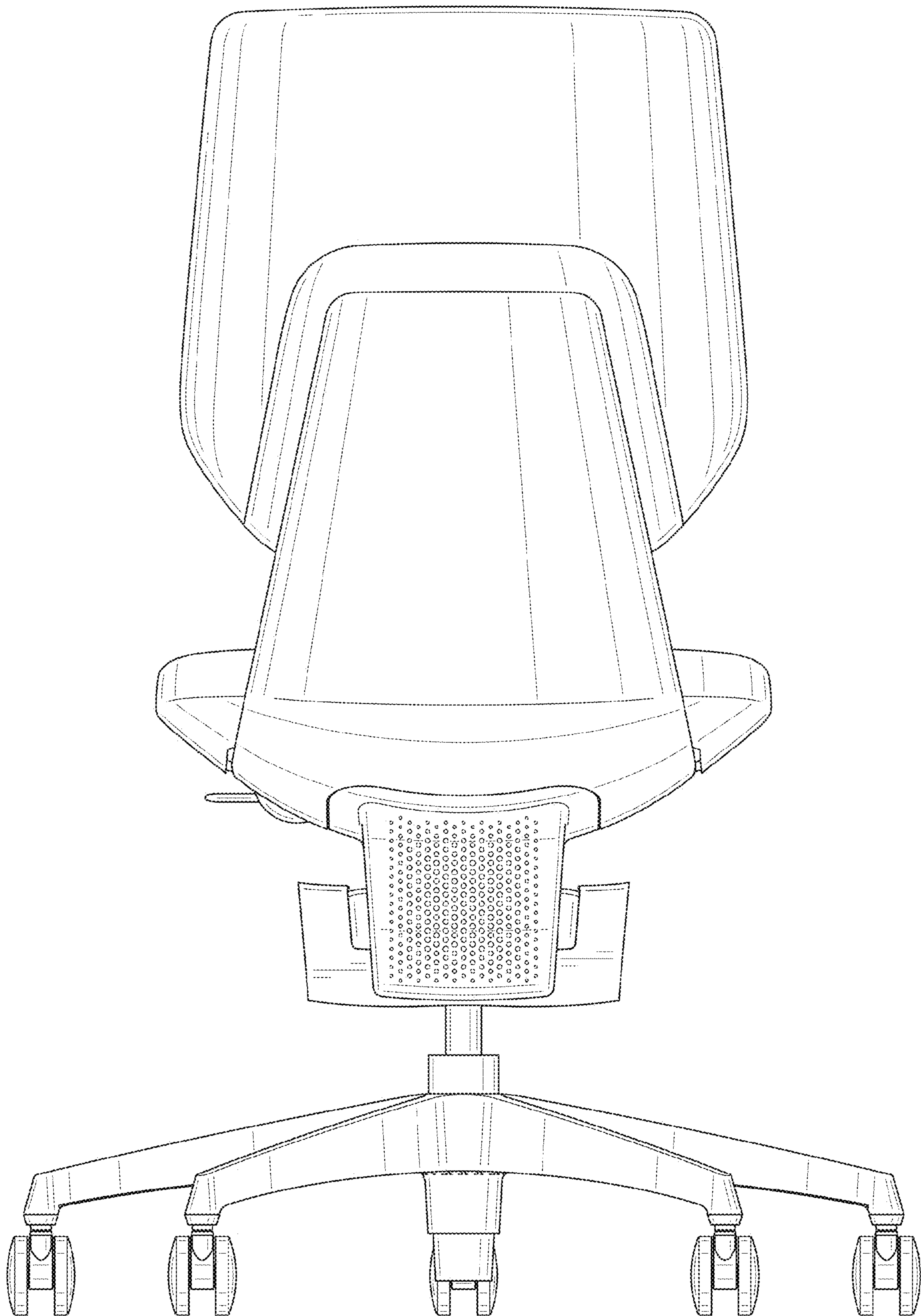


FIG. 3

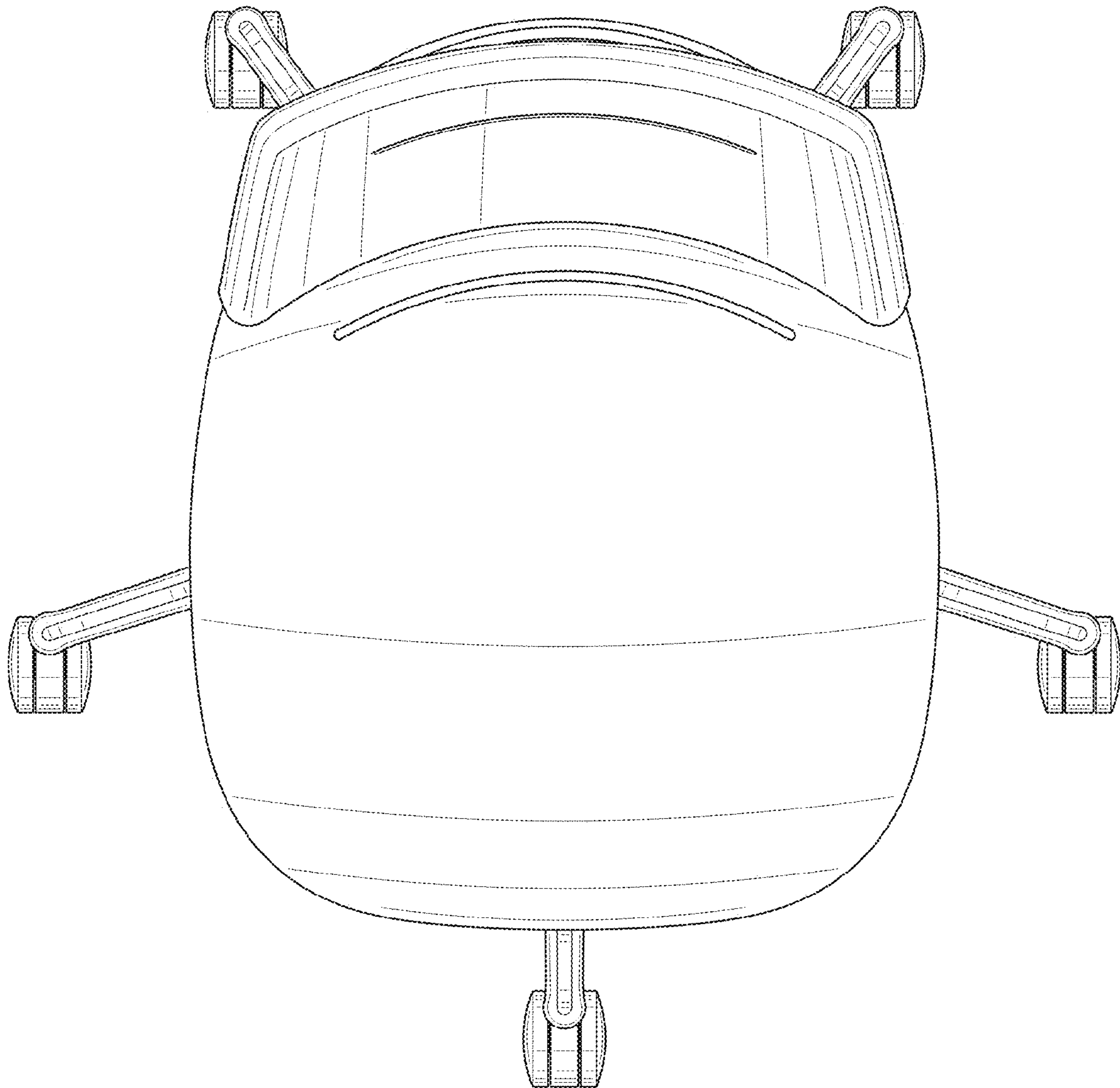


FIG. 4

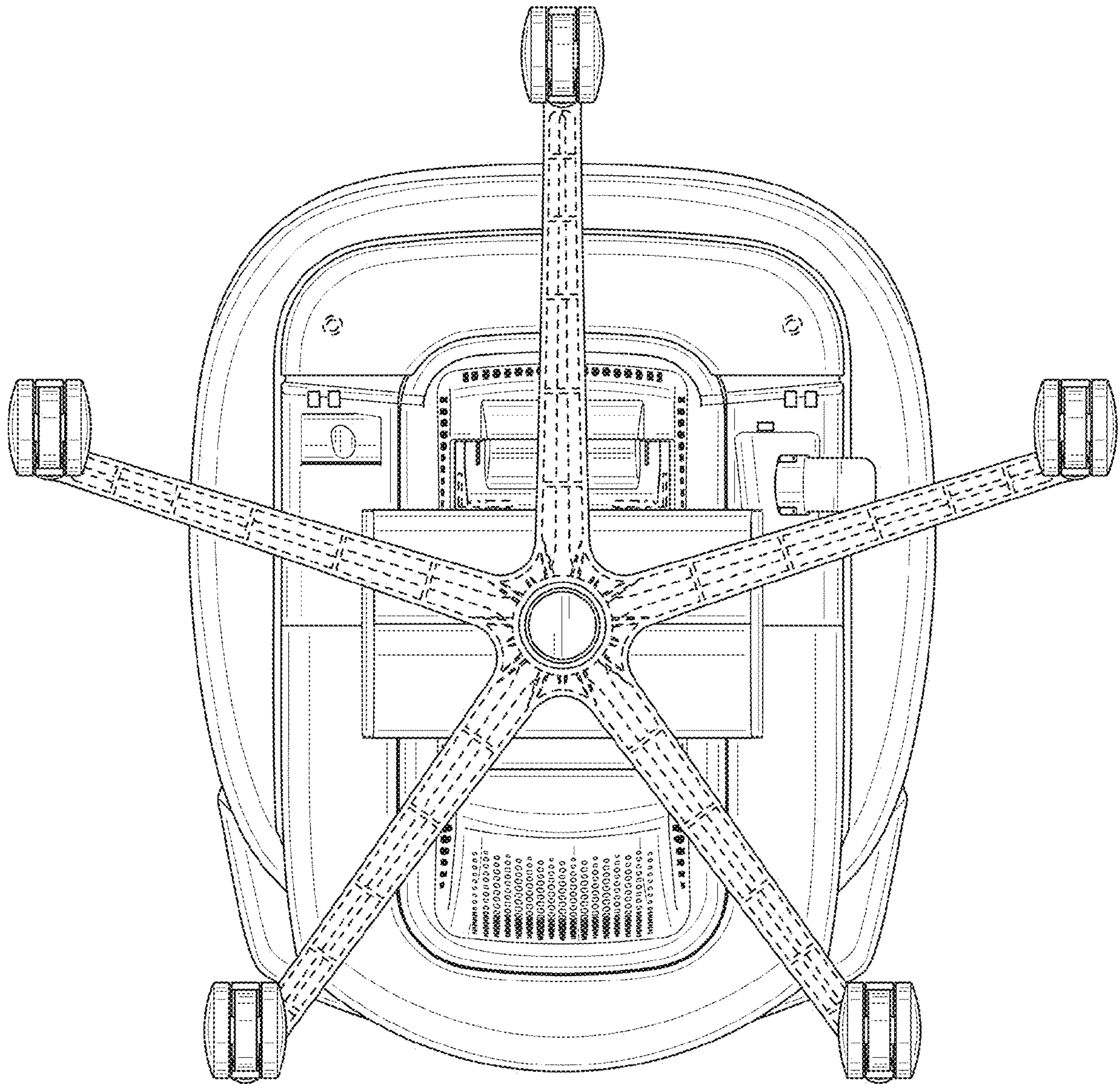


FIG. 5



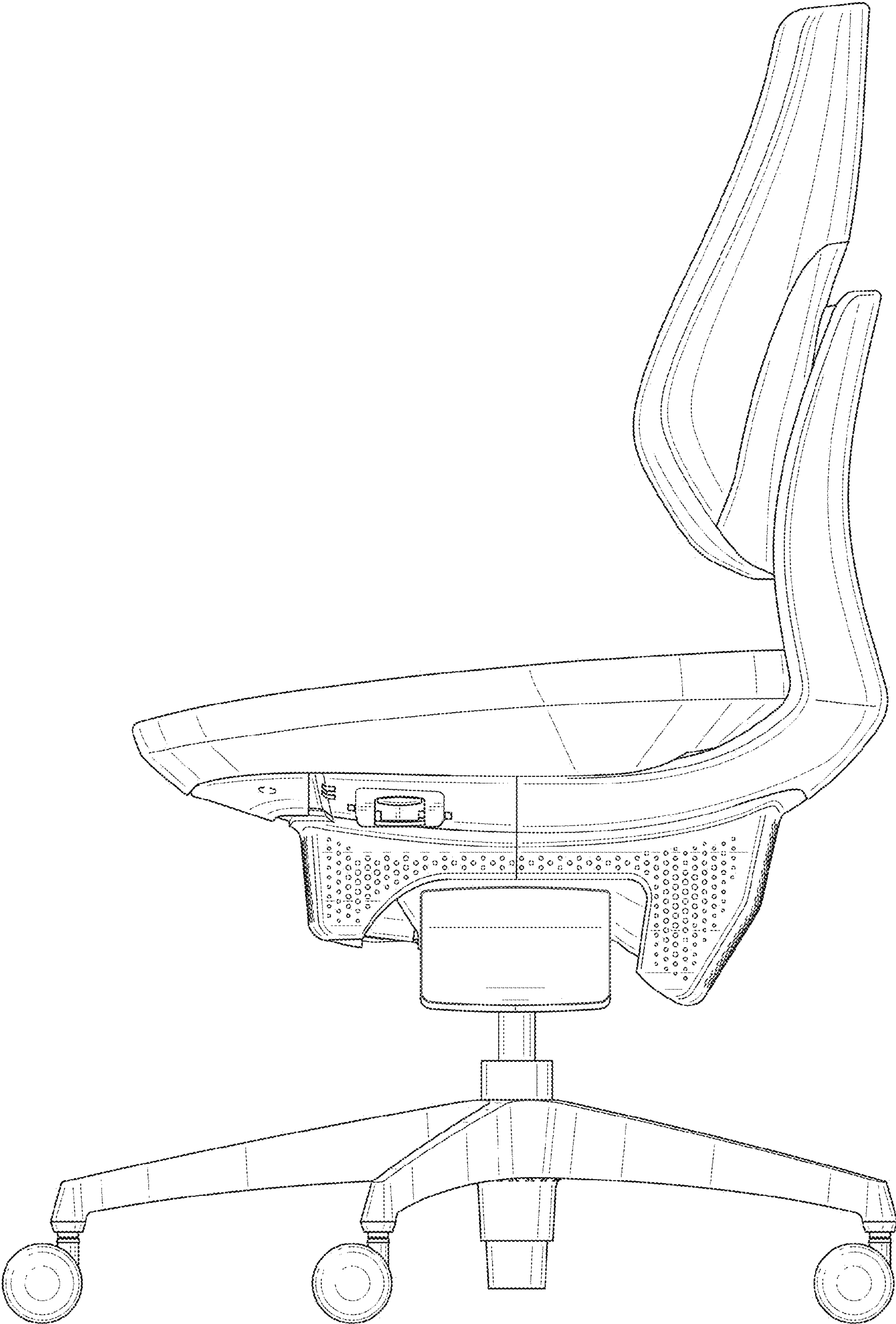


FIG. 6

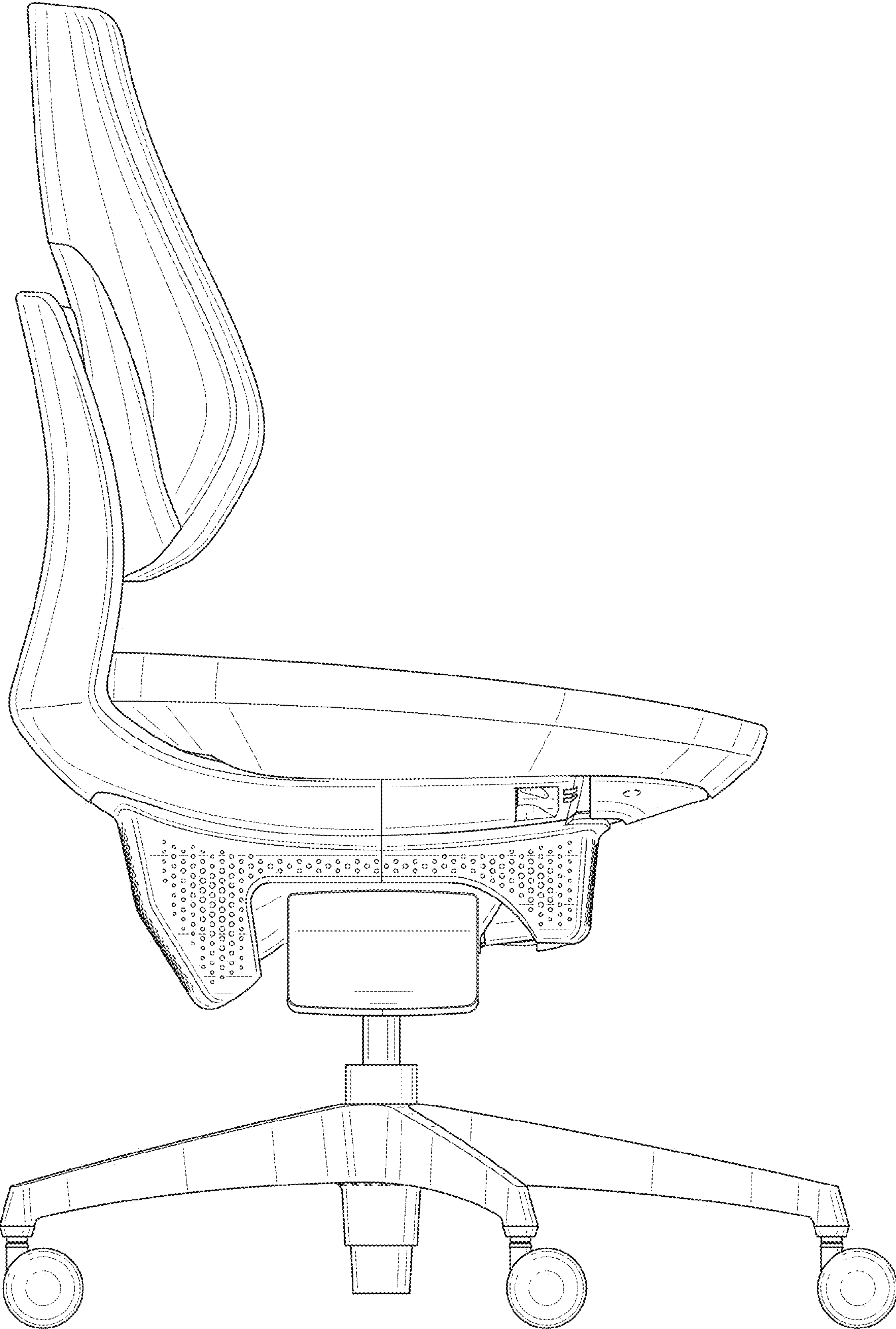


FIG. 7



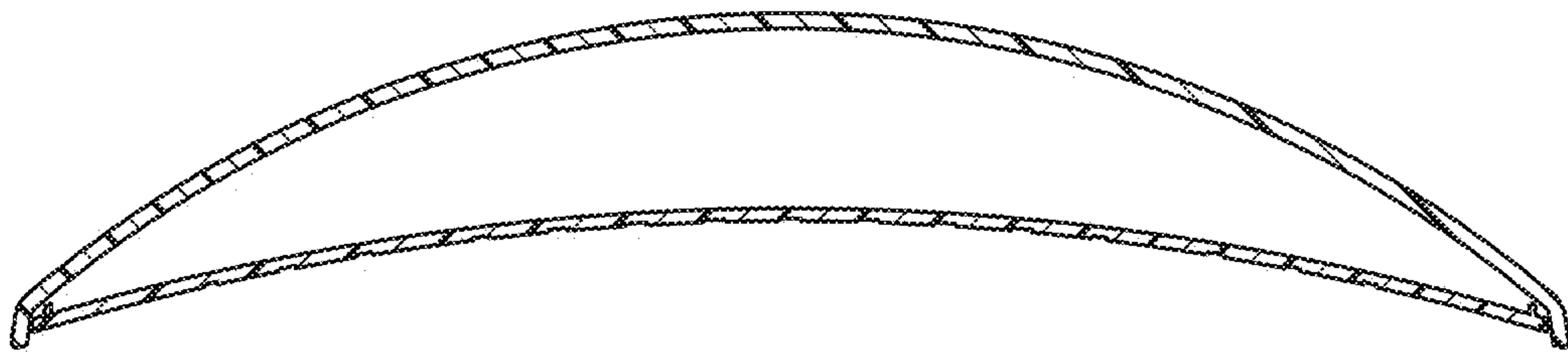


FIG. 8

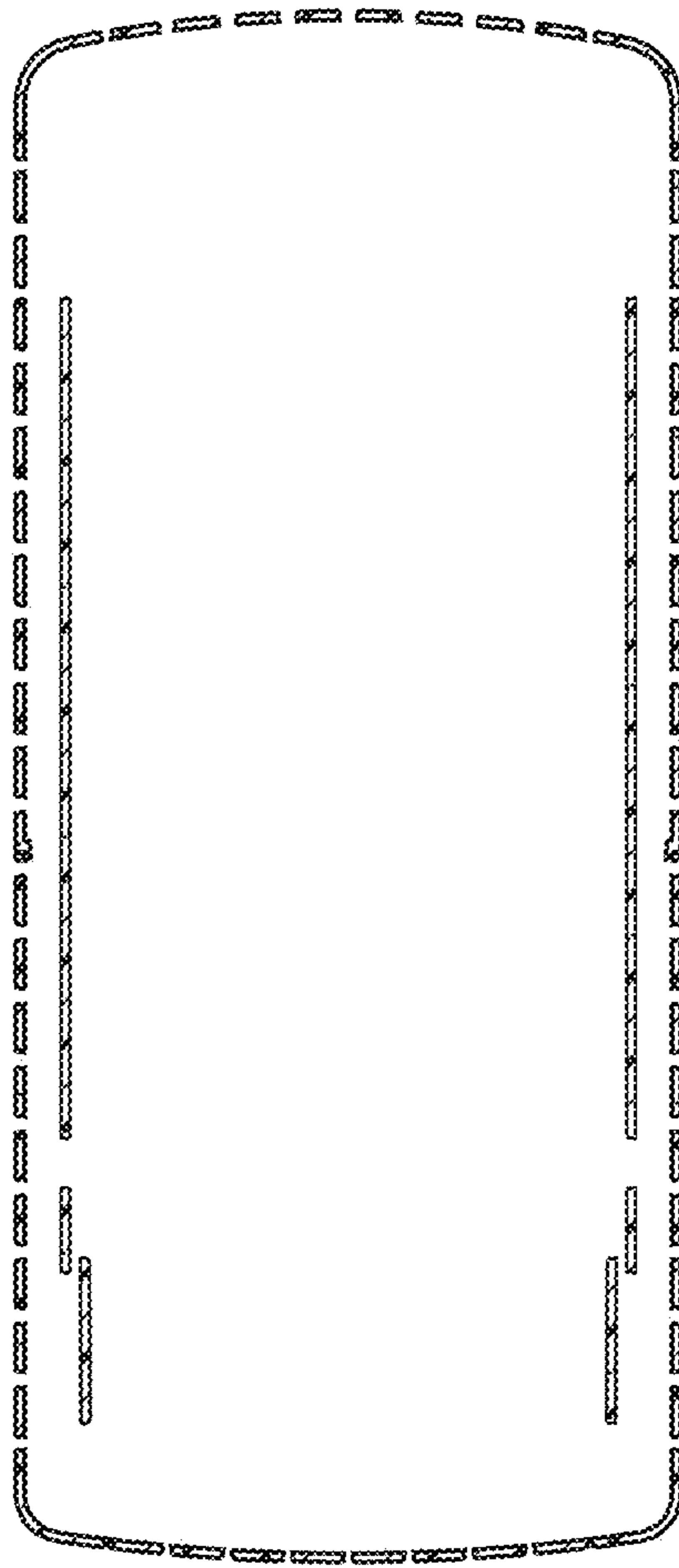


FIG. 9