



US00D882976S

(12) **United States Design Patent**  
**Mallon**

(10) **Patent No.:** **US D882,976 S**

(45) **Date of Patent:** **\*\* May 5, 2020**

(54) **CHAIR**

(71) Applicant: **Timothy Mallon**, Mahopac, NY (US)

(72) Inventor: **Timothy Mallon**, Mahopac, NY (US)

(\*\*) Term: **15 Years**

(21) Appl. No.: **29/645,003**

(22) Filed: **Apr. 23, 2018**

(51) **LOC (12) Cl.** ..... **06-01**

(52) **U.S. Cl.**  
USPC ..... **D6/358**

(58) **Field of Classification Search**

USPC ..... D6/344, 345, 358, 370, 716, 716.1,  
D6/716.4, 718.13, 718.19, 718.2, 718.21,  
D6/718.22; D21/362, 630, 816, 820, 825,  
D21/827, 832

CPC .. A47C 1/035; A47C 1/02; A47C 1/14; A47C  
3/023; A47C 3/04; A47C 3/14; A47C  
3/34; A47C 4/028; A47C 4/02; A47C  
4/03; A47C 5/04; A47C 5/10; A47C  
7/002; A47C 7/029; A47C 7/506; A47C  
9/00; A47C 9/007; A47C 9/005; A47C  
13/023; A47B 1/00; A47B 7/02; A47B  
39/08; A47B 41/00; A47B 41/04; A47B  
2200/0011; A47B 2200/0027

See application file for complete search history.

(56) **References Cited**

**U.S. PATENT DOCUMENTS**

D222,714 S \* 12/1971 Bates ..... D6/358  
D295,923 S \* 5/1988 Williamson ..... D6/358

D319,354 S \* 8/1991 Wolcott ..... D6/370  
D399,065 S \* 10/1998 Noll ..... D6/344  
D566,411 S \* 4/2008 Lee ..... D6/370  
D570,127 S \* 6/2008 Spink ..... D6/370  
D577,520 S \* 9/2008 Lee ..... D6/716.4  
D597,755 S \* 8/2009 Ortiz ..... D6/358  
D607,223 S \* 1/2010 Adams ..... D6/370  
D658,411 S \* 5/2012 Lee ..... D6/716.4  
D661,913 S \* 6/2012 Van de Bittner ..... D6/358  
D709,311 S \* 7/2014 Walsh ..... D6/716.4  
D839,651 S \* 2/2019 Green ..... D6/716.1

\* cited by examiner

*Primary Examiner* — Kevin K Rudzinski

*Assistant Examiner* — Paul D Bohannon

(74) *Attorney, Agent, or Firm* — Dunlap Bennett &  
Ludwig PLLC

(57) **CLAIM**

The ornamental design for a chair, as shown and described.

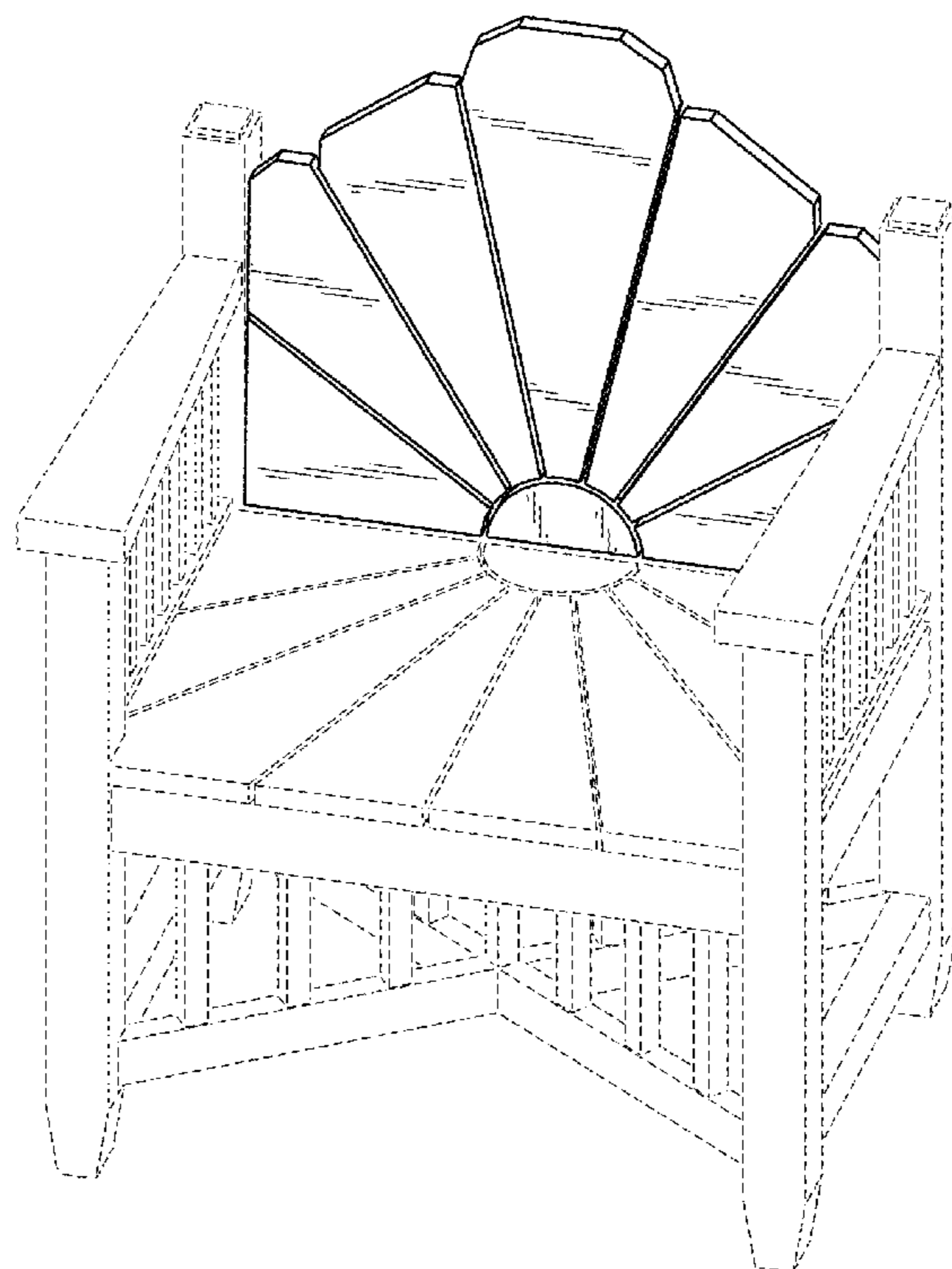
**DESCRIPTION**

FIG. 1 is a front perspective view of a chair;  
FIG. 2 is a front elevation view thereof;  
FIG. 3 is a rear elevation view thereof;  
FIG. 4 is a left elevation view thereof, the right elevation  
view being a mirror image thereof; and,  
FIG. 5 is a top plan view thereof.

The spaces between adjacent panels are defined by the  
uniformly flat peripheral surfaces of each panel, as can be  
partially seen in FIGS. 1 and 5. Thus, such uniformly flat  
peripheral surfaces have not curvatures or voids.

The broken lines shown in the drawings depict portions of  
the chair that form no part of the claimed design.

**1 Claim, 4 Drawing Sheets**



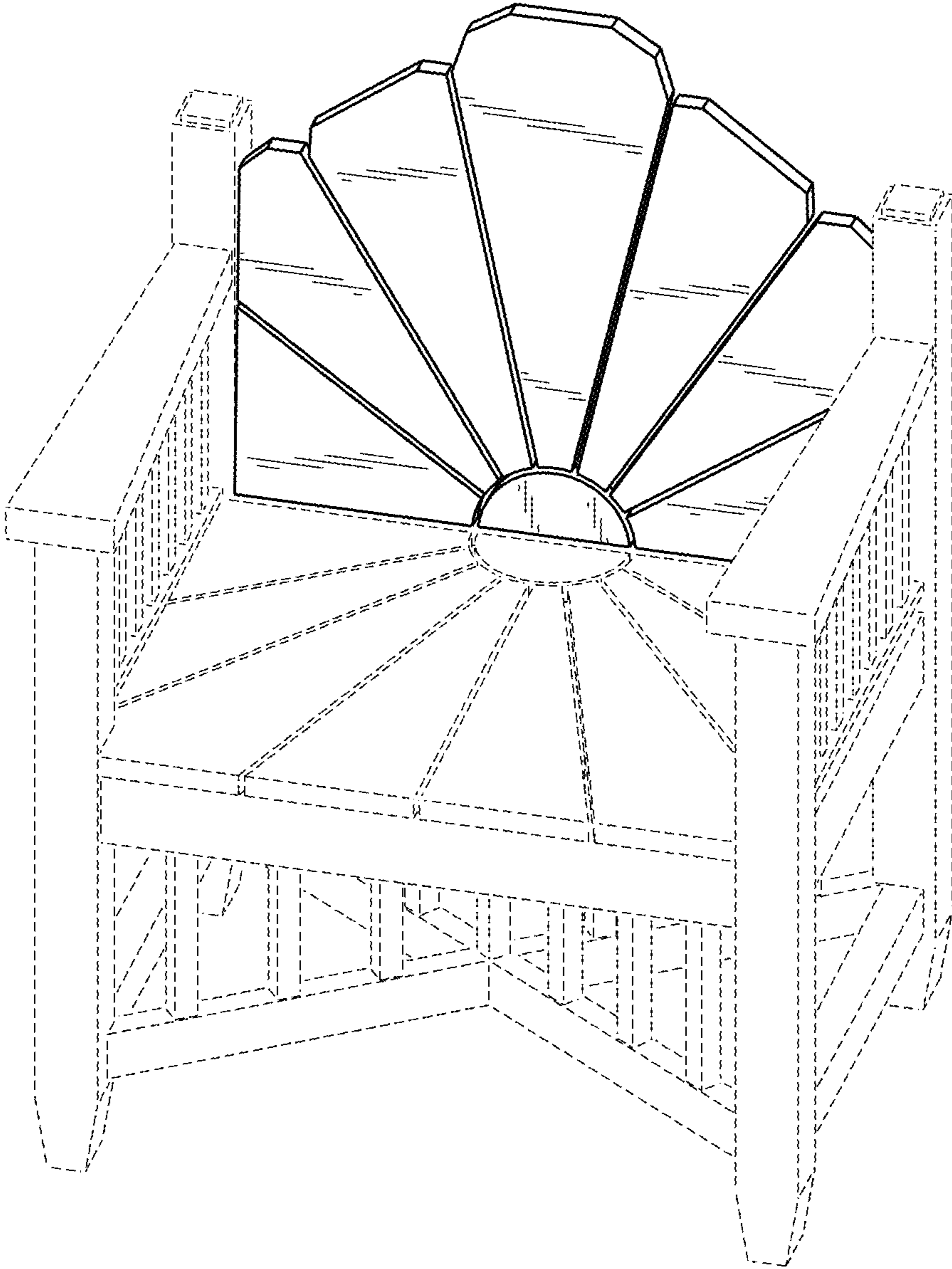


FIG. 1

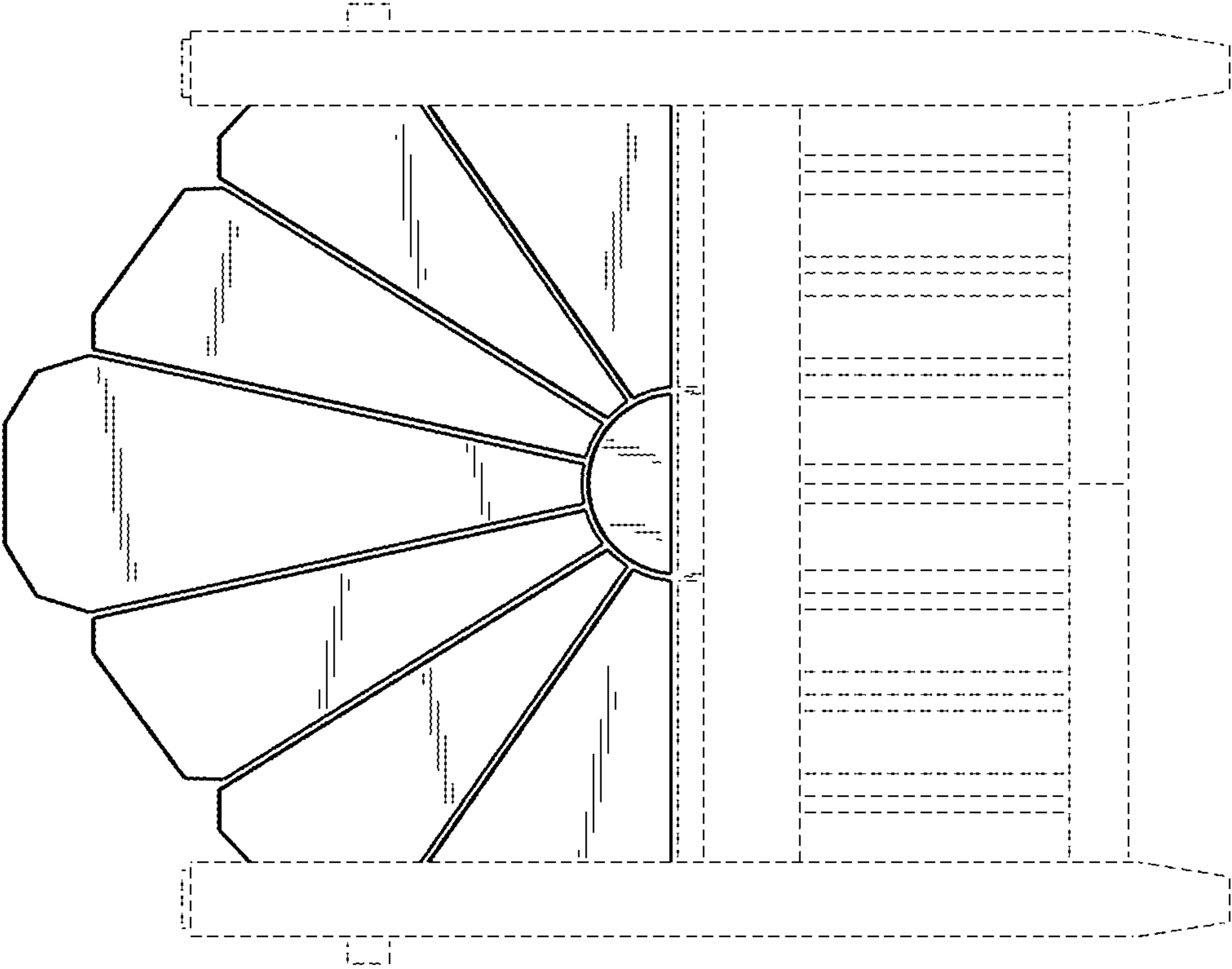


FIG. 3

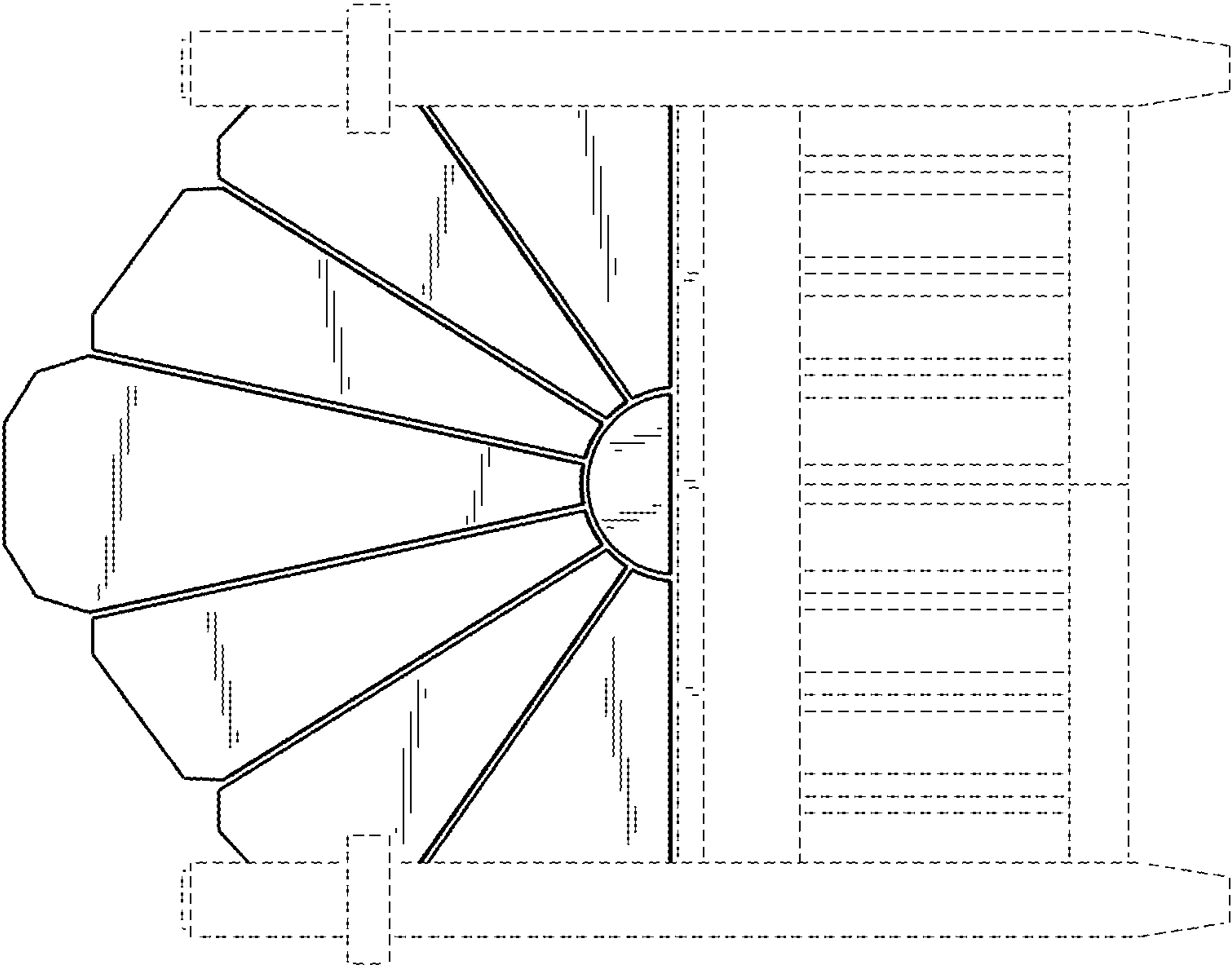


FIG. 2

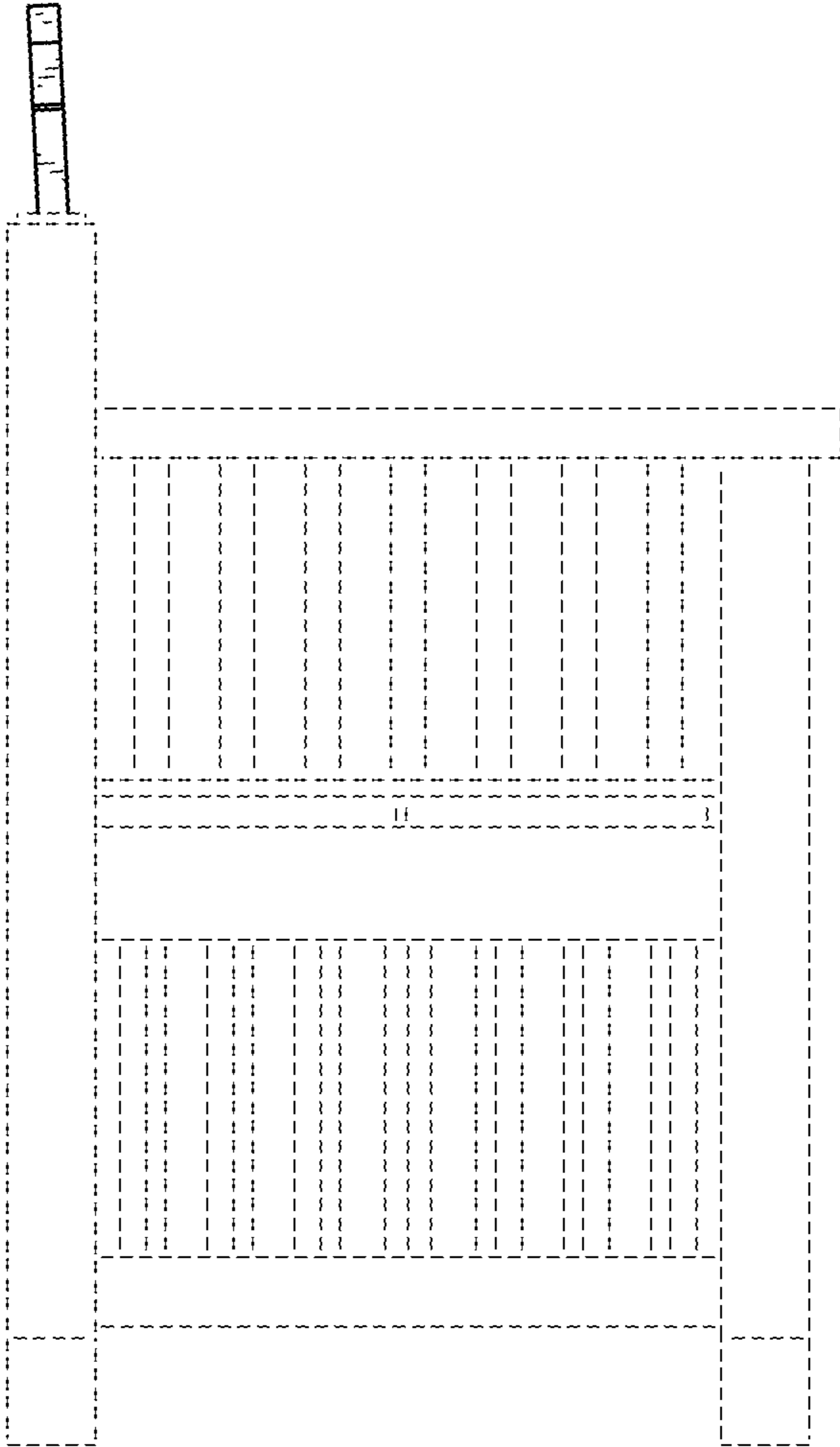


FIG. 4

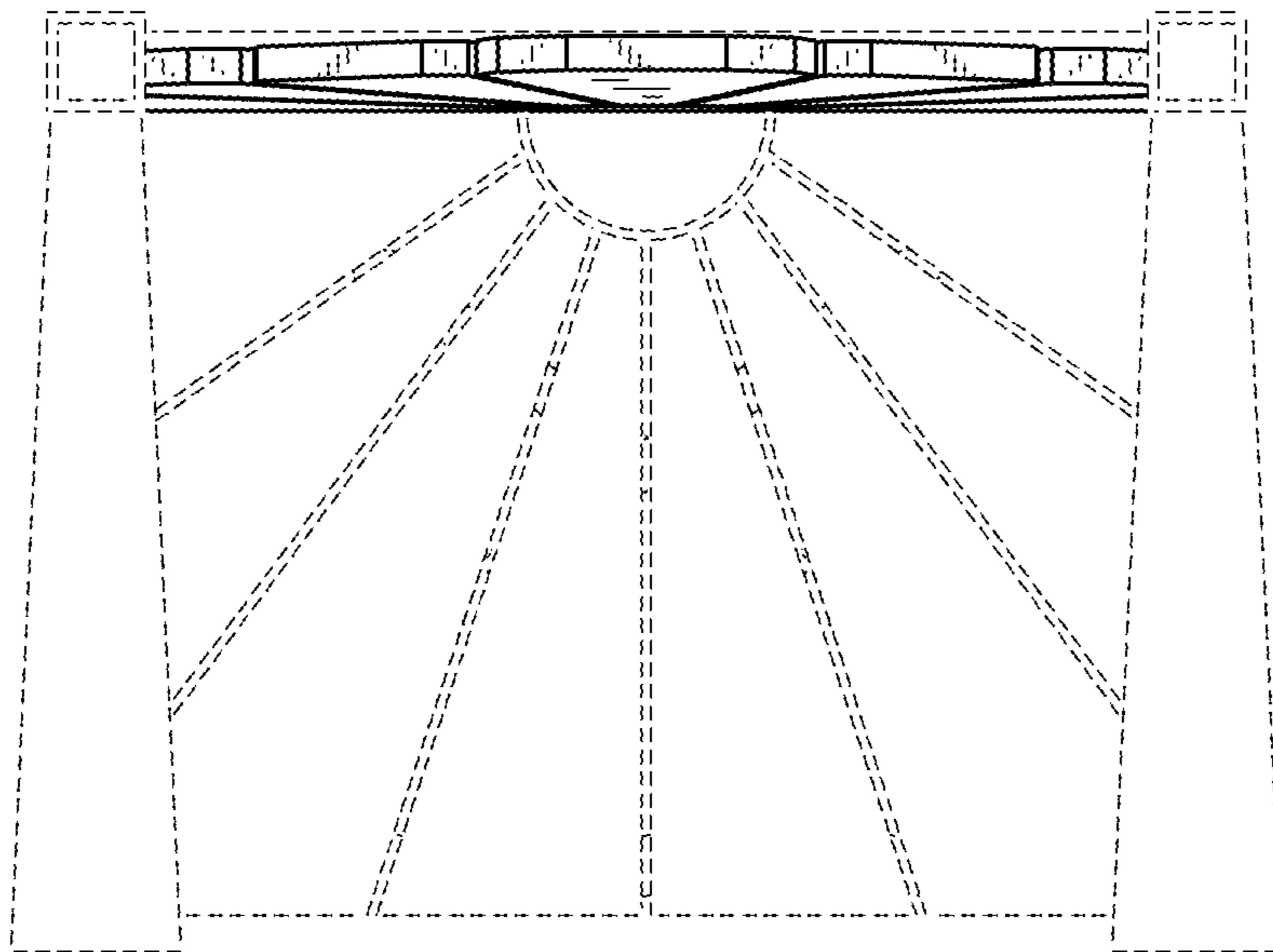


FIG. 5