



US00D882973S

(12) **United States Design Patent** (10) **Patent No.:** **US D882,973 S**
Jacoby (45) **Date of Patent:** **** May 5, 2020**

(54) **FOLDING CHAIR**

(71) Applicant: **Eric Jacoby Design, Inc.**, Salt Lake City, UT (US)

(72) Inventor: **Eric Robert Jacoby**, Salt Lake City, UT (US)

(73) Assignee: **Eric Jacoby Design, Inc.**, Salt Lake City, UT (US)

(**) Term: **15 Years**

(21) Appl. No.: **29/653,907**

(22) Filed: **Jun. 19, 2018**

(51) **LOC (12) Cl.** **06-01**

(52) **U.S. Cl.**
USPC **D6/334**

(58) **Field of Classification Search**
USPC D6/334, 335, 349, 353, 354, 356, 360,
D6/361, 362, 364, 365, 366, 374, 375,
D6/379, 380, 381

(Continued)

(56) **References Cited**

U.S. PATENT DOCUMENTS

1,675,577 A * 7/1928 Rosenthal A47C 4/24
297/57
2,072,074 A * 2/1937 Travers A47C 4/40
297/29

(Continued)

Primary Examiner — Karen S Acker

(74) *Attorney, Agent, or Firm* — Lee & Hayes, P.C.

(57) **CLAIM**

The ornamental design for a folding chair, as shown.

DESCRIPTION

FIG. 1 is a top perspective view of a folding chair in an open state showing the new design;

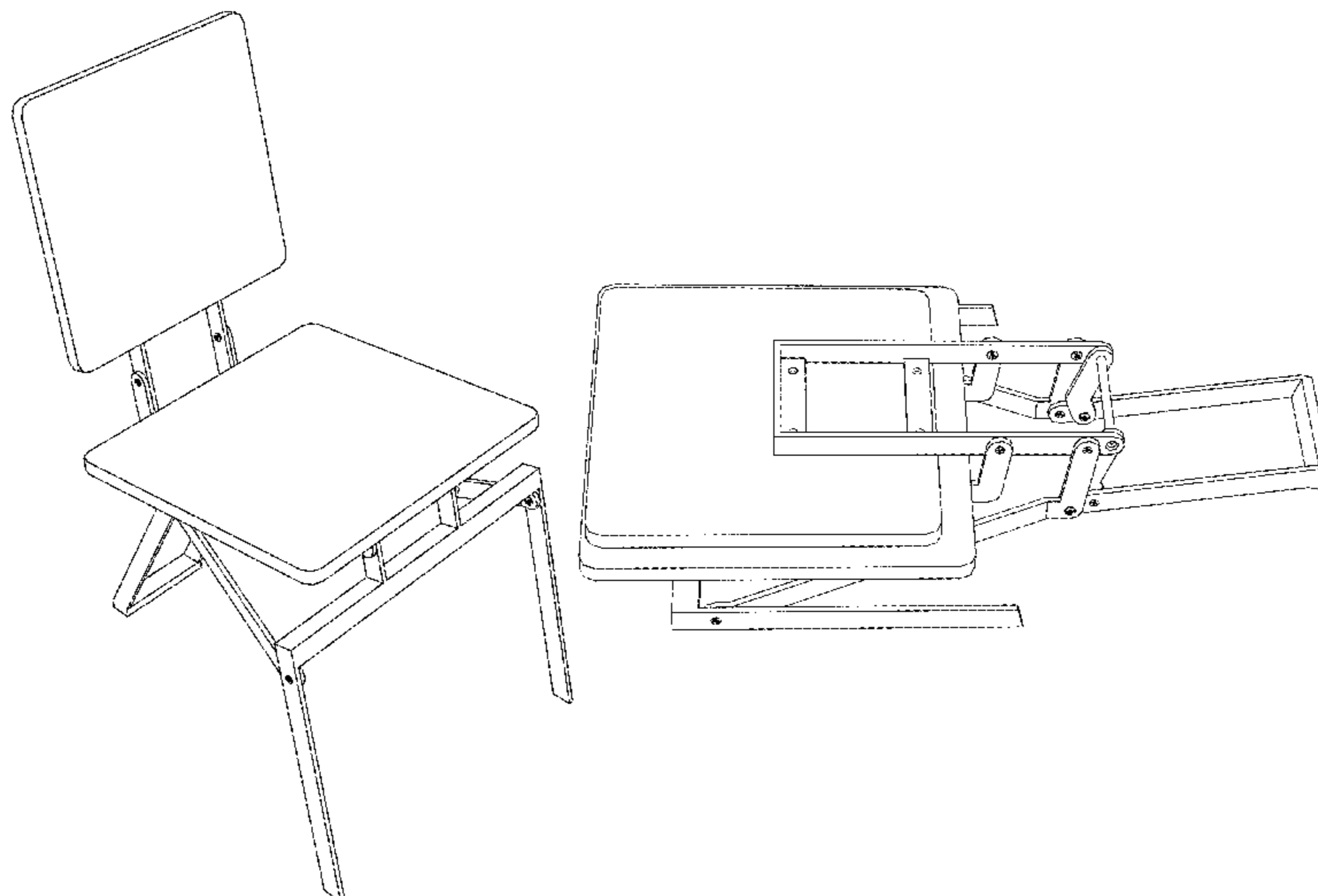


FIG. 2 is a bottom perspective view of the folding chair in an open state;

FIG. 3 is a left-side elevation view of the folding chair in an open state;

FIG. 4 is a right-side elevation view of the folding chair in an open state;

FIG. 5 is a top plan view of the folding chair in an open state;

FIG. 6 is a bottom plan view of the folding chair in an open state;

FIG. 7 is a front elevation view of the folding chair in an open state;

FIG. 8 is a rear elevation view of the folding chair in an open state;

FIG. 9 is a top axonometric view of the folding chair in an open state;

FIG. 10 is a bottom axonometric view of the folding chair in an open state;

FIG. 11 is a rear axonometric view of the folding chair in an open state;

FIG. 12 is a front axonometric view of the folding chair in an open state;

FIG. 13 is a top perspective view of the folding chair in a closed state;

FIG. 14 is a bottom perspective view of the folding chair in a closed state;

FIG. 15 is a top plan view of the folding chair in a closed state;

FIG. 16 is a bottom plan view of the folding chair in a closed state;

FIG. 17 is a left-side elevation view of the folding chair in a closed state;

FIG. 18 is a right-side elevation view of the folding chair in a closed state;

FIG. 19 is a front elevation view of the folding chair in a closed state;

FIG. 20 is a rear elevation view of the folding chair in a closed state;

FIG. 21 is a top axonometric view of the folding chair in a closed state; and,

FIG. 22 is a bottom axonometric view of the folding chair in a closed state.

1 Claim, 22 Drawing Sheets

(58) **Field of Classification Search**

CPC A47C 4/02; A47C 4/04; A47C 4/52; A47C
11/00; A47C 15/002; A47C 1/00; A47C
1/03; A47C 7/002; B06N 2/0292
See application file for complete search history.

(56) **References Cited**

U.S. PATENT DOCUMENTS

2,490,367 A * 12/1949 Maddocks A47C 4/44
190/8
2,507,023 A * 5/1950 Lee G01S 1/02
297/19
2,824,600 A * 2/1958 Baumgardner A47C 4/26
297/34
D281,473 S * 11/1985 Singer D6/368
5,020,854 A * 6/1991 Powell A47C 1/146
297/377
D447,354 S * 9/2001 Bluberg A47C 4/14
D6/334
D456,162 S * 4/2002 Peters A47C 3/16
D6/368
6,517,152 B1 * 2/2003 Chen A47C 4/20
297/27
D654,715 S * 2/2012 De Sa Faustini A47C 4/44
D6/368
2005/0023875 A1 * 2/2005 Sirjoo A47C 3/16
297/354.13
2006/0186711 A1 * 8/2006 Phipps A47C 4/14
297/46
2012/0242114 A1 * 9/2012 Boucquey A47D 1/023
297/30
2016/0081479 A1 * 3/2016 Lin A47C 4/14
297/16.1
2016/0242550 A1 * 8/2016 Hammock A47C 4/30

* cited by examiner

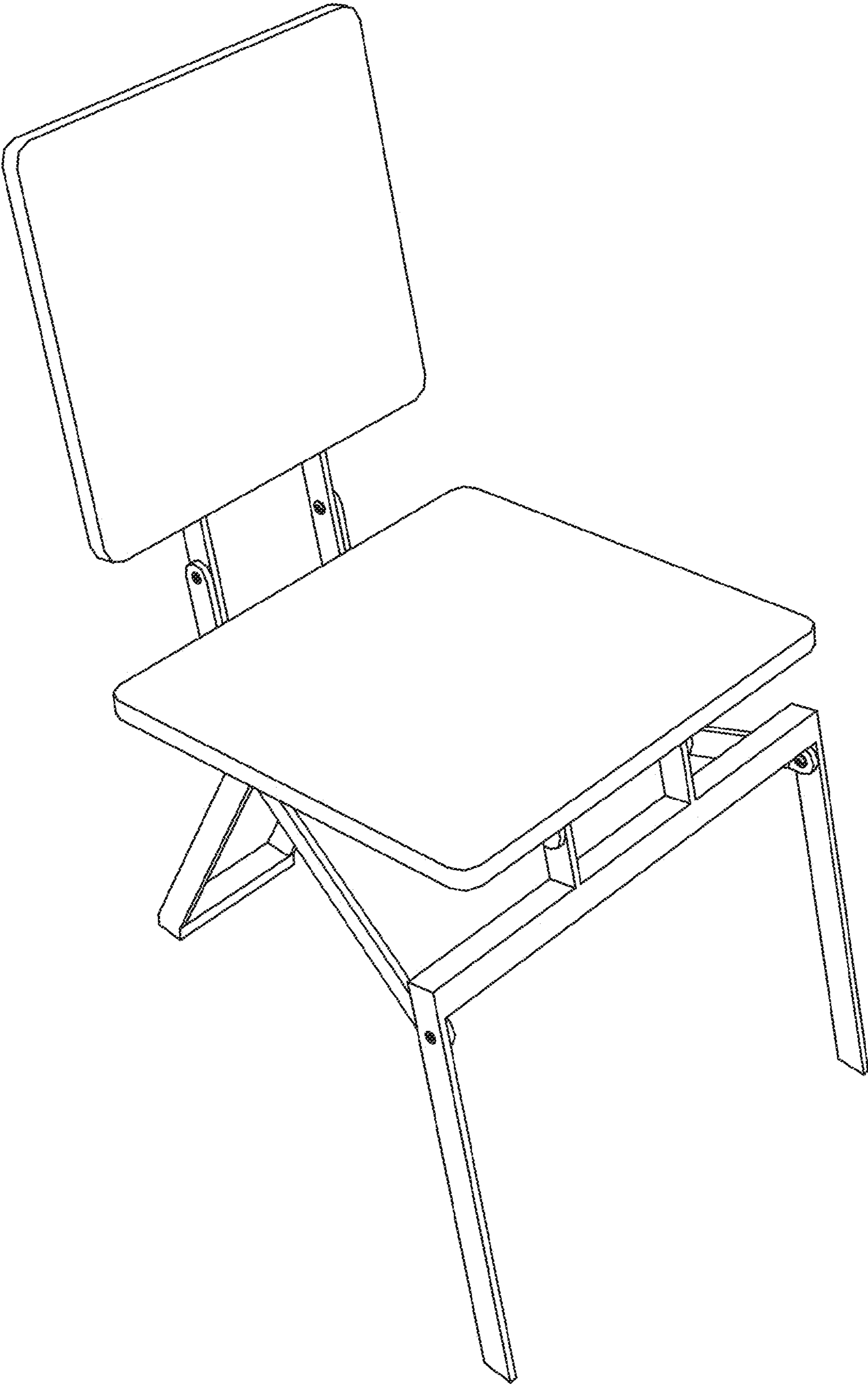


Fig. 1

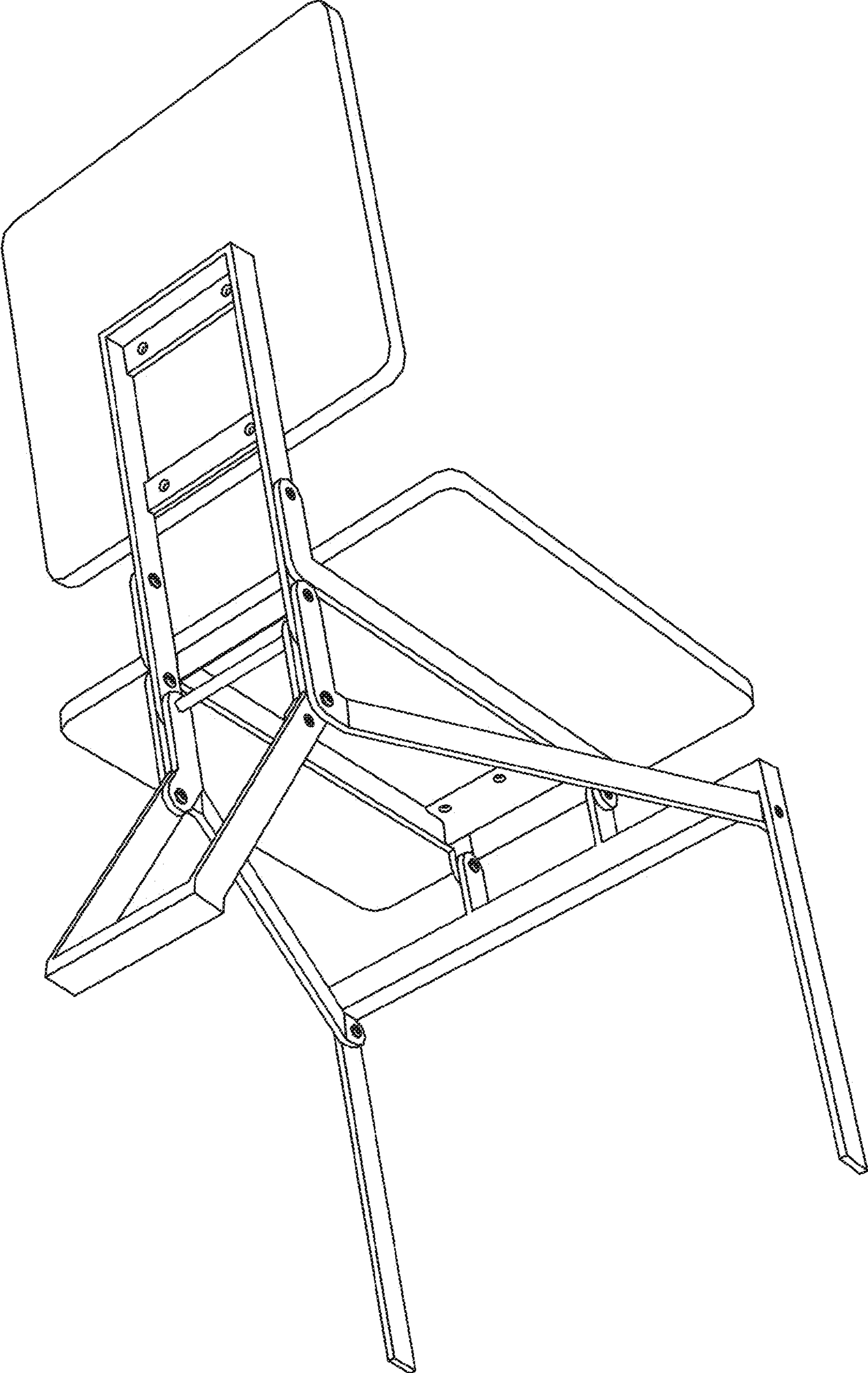


Fig. 2

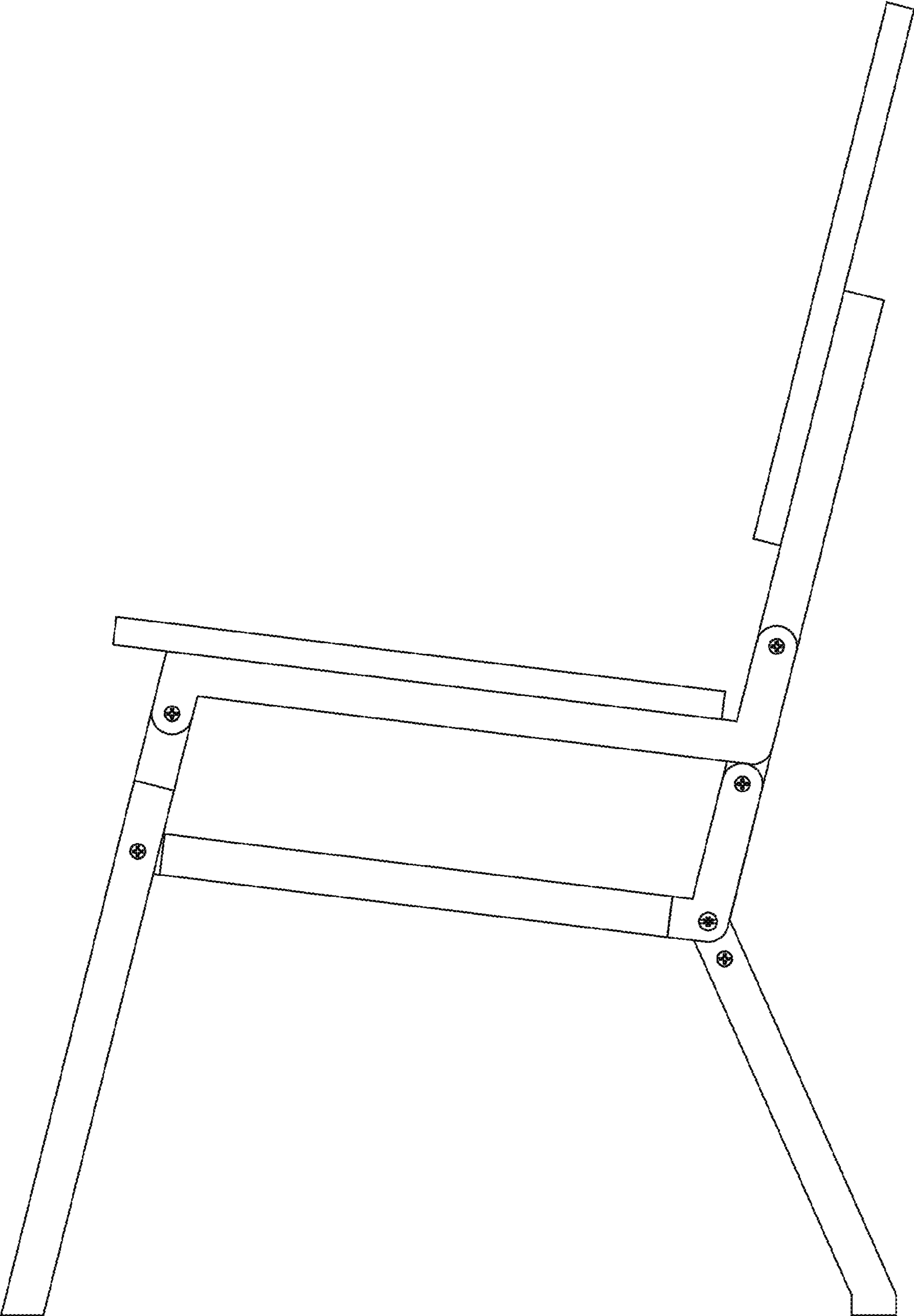


Fig. 3

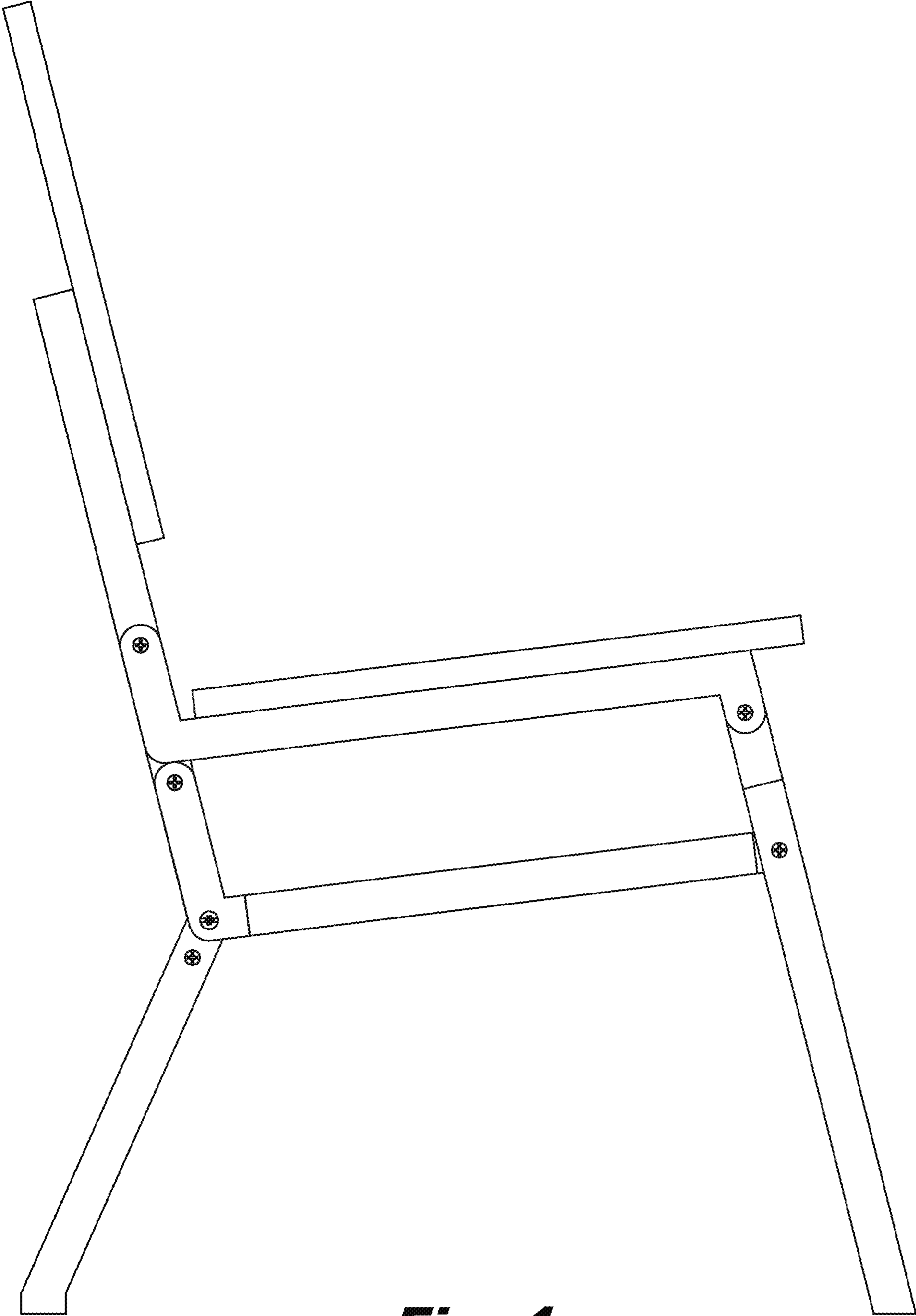


Fig. 4

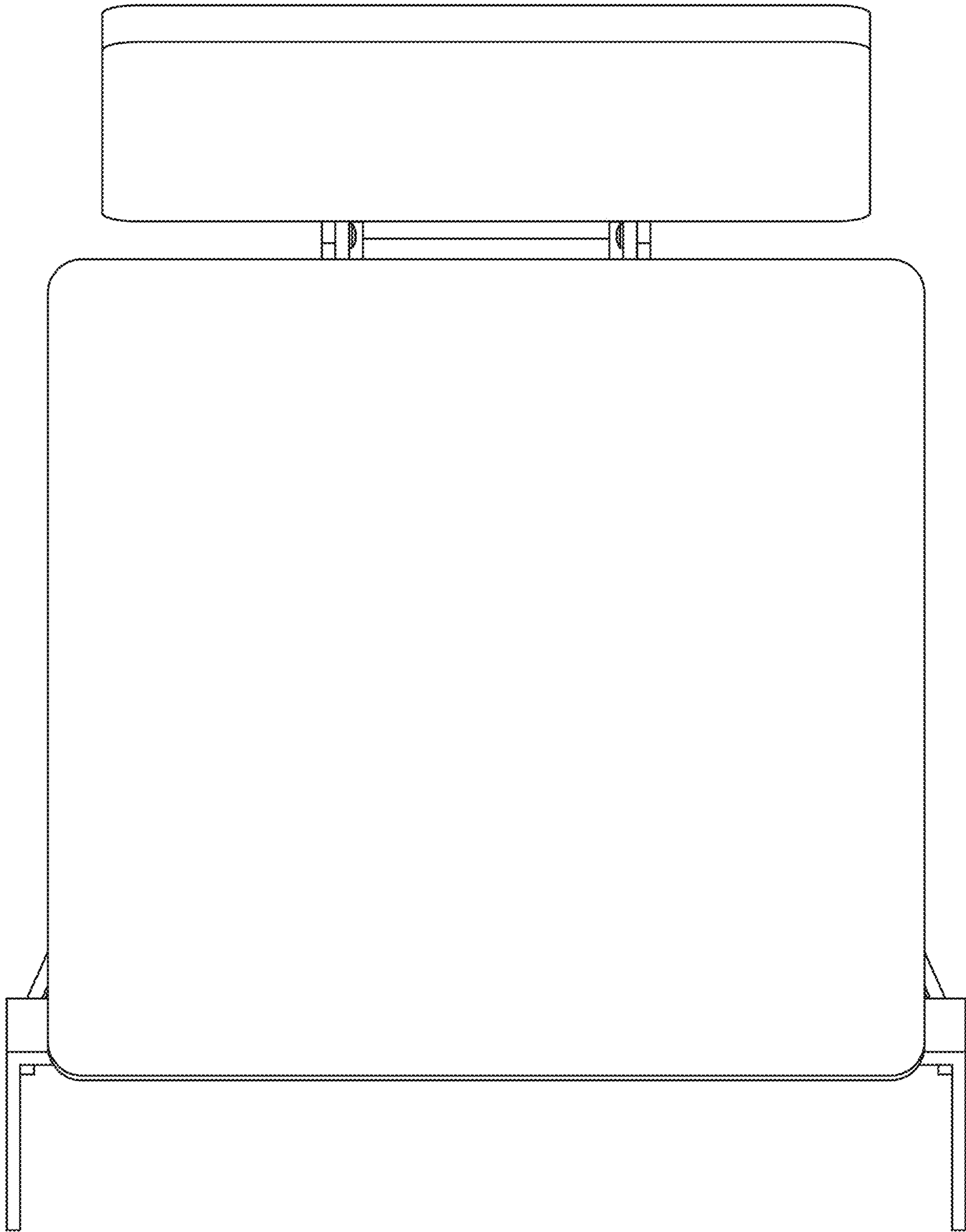


Fig. 5

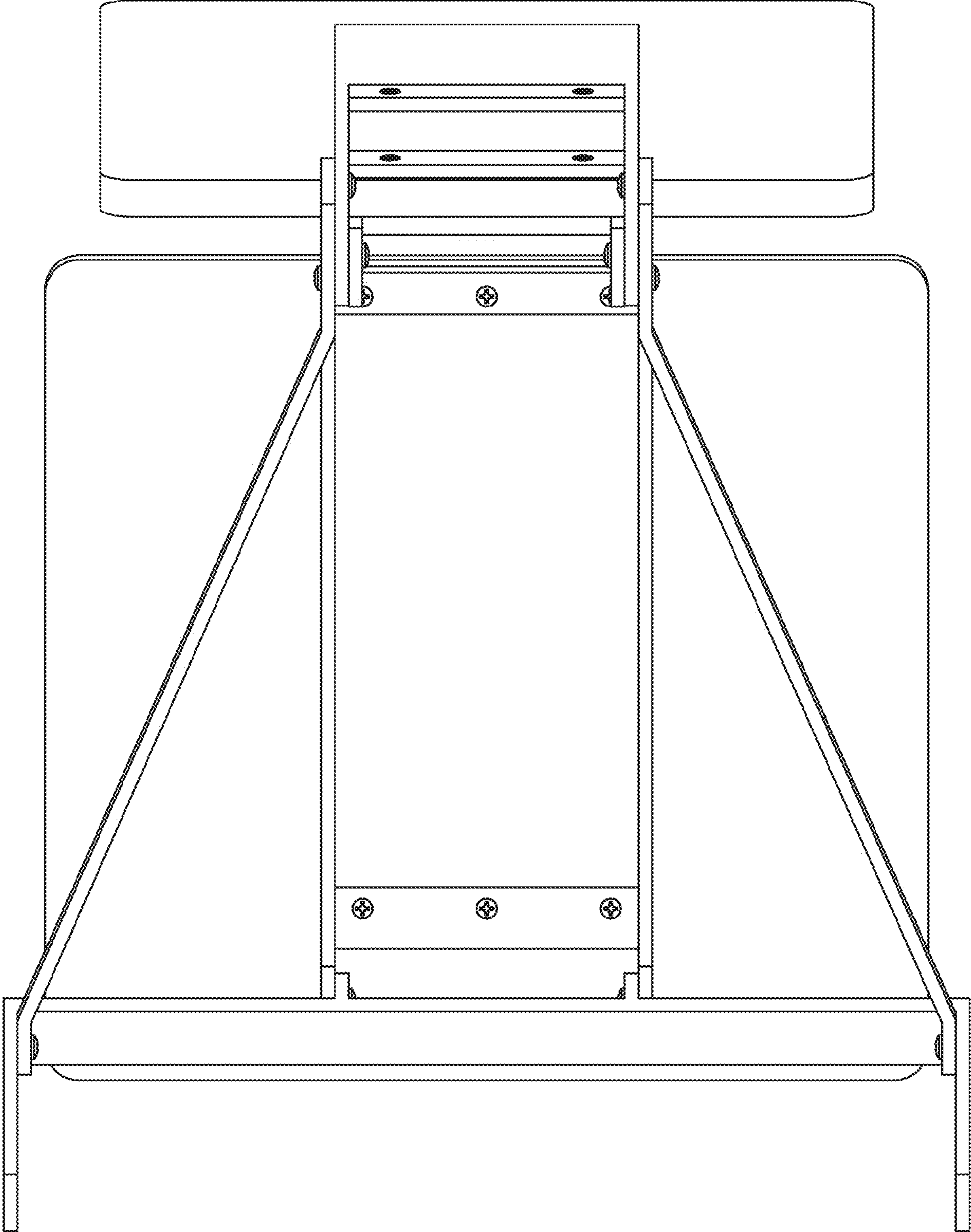


Fig. 6

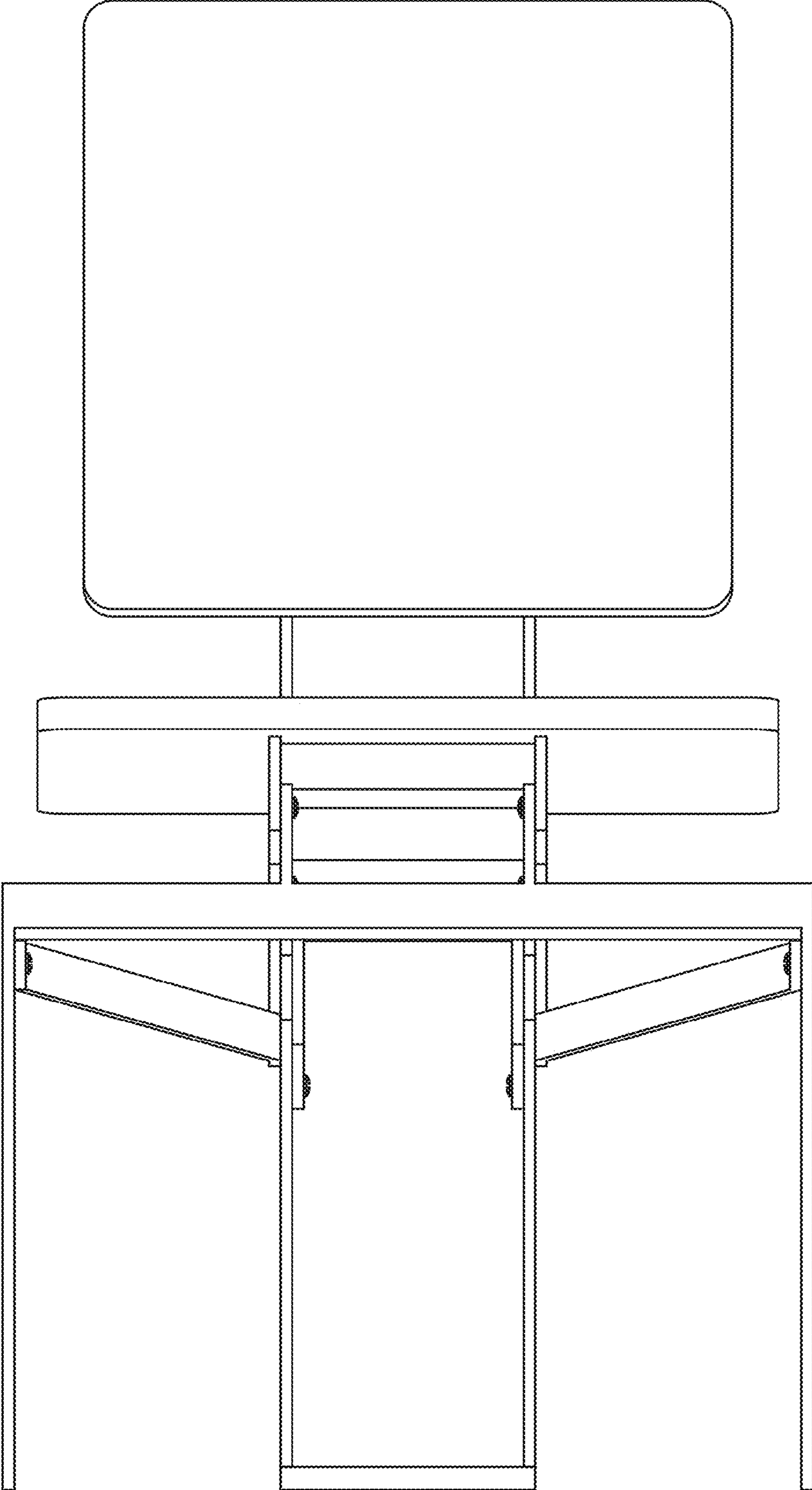


Fig. 7

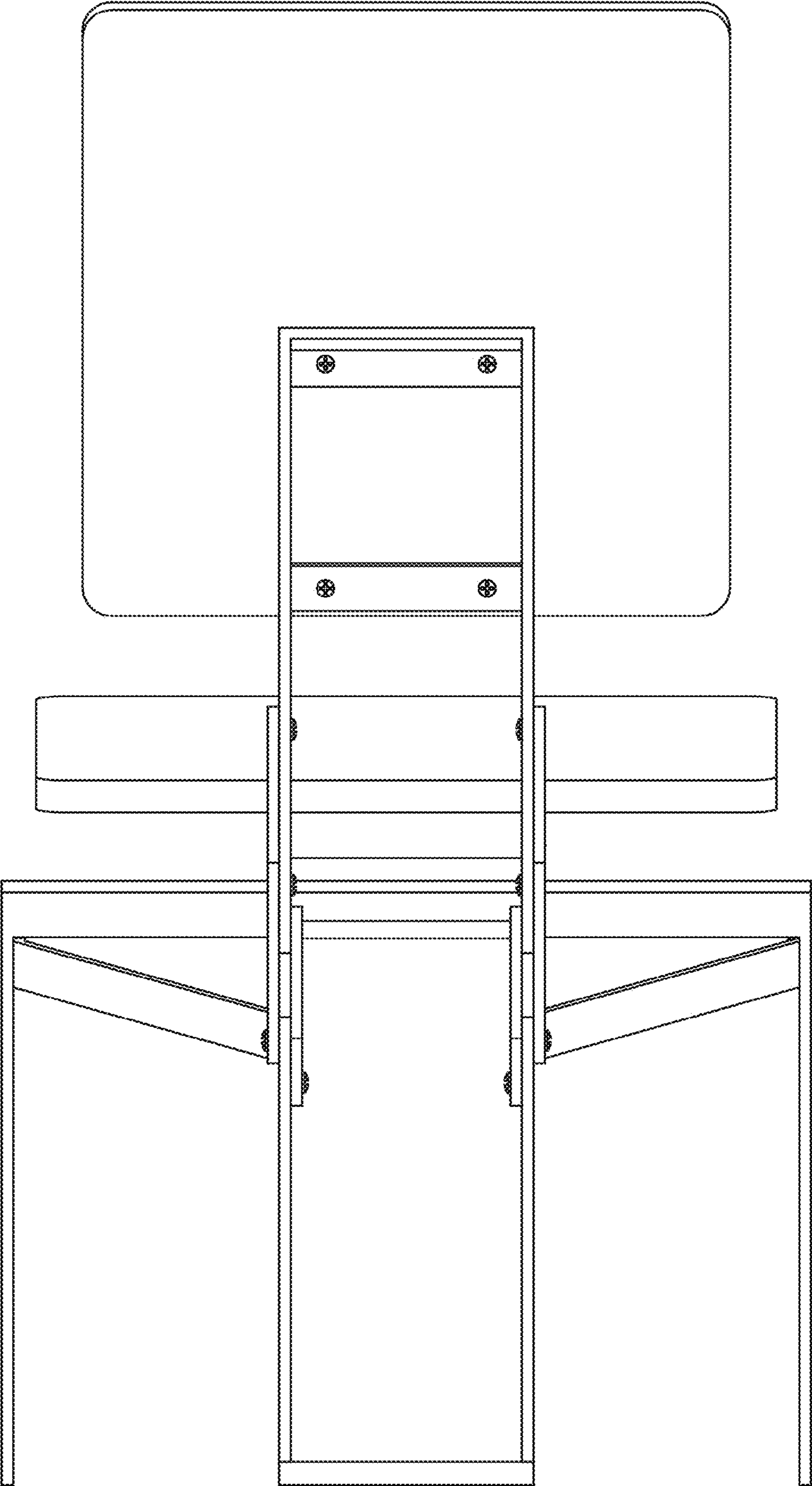


Fig. 8

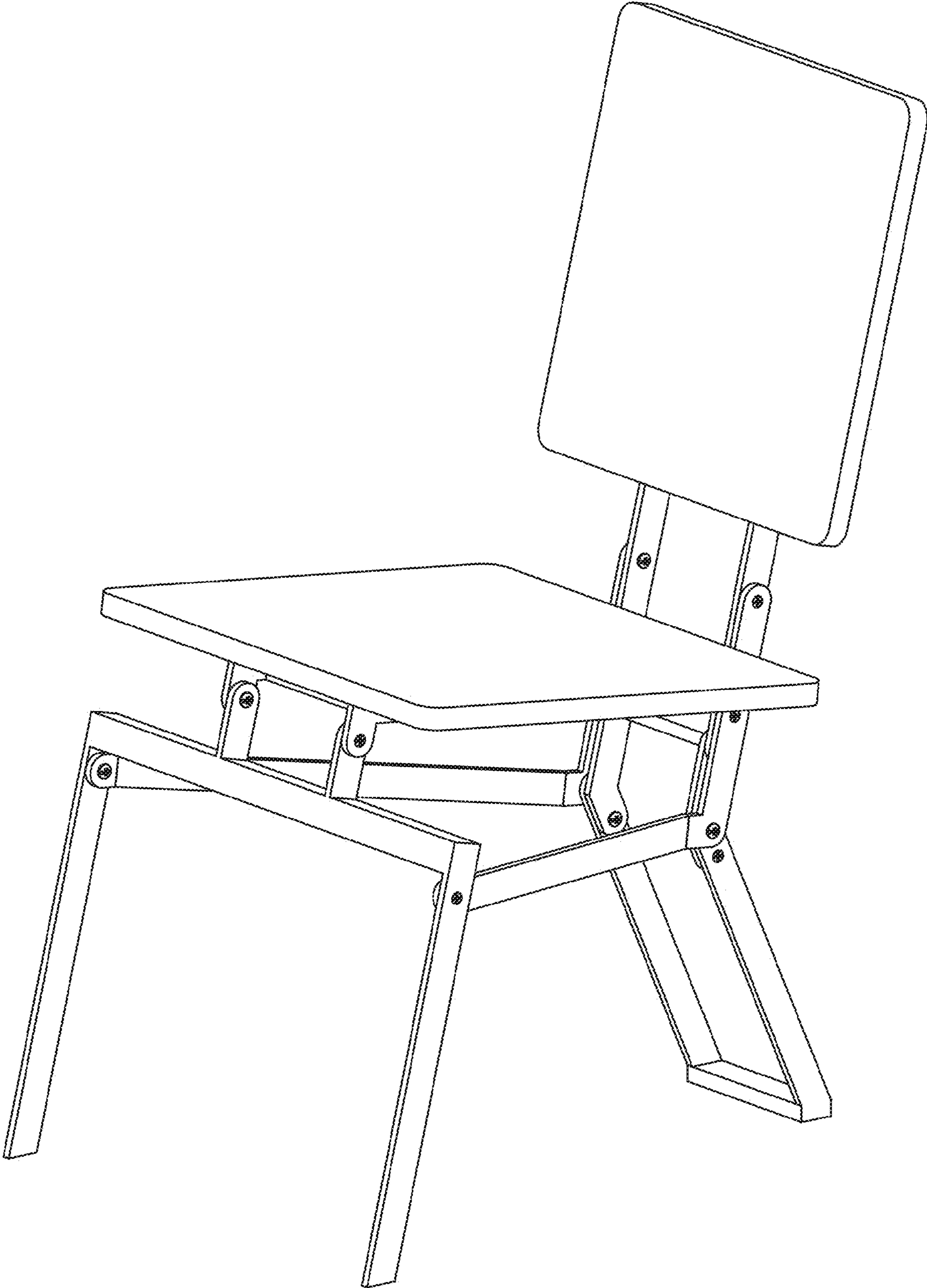


Fig. 9

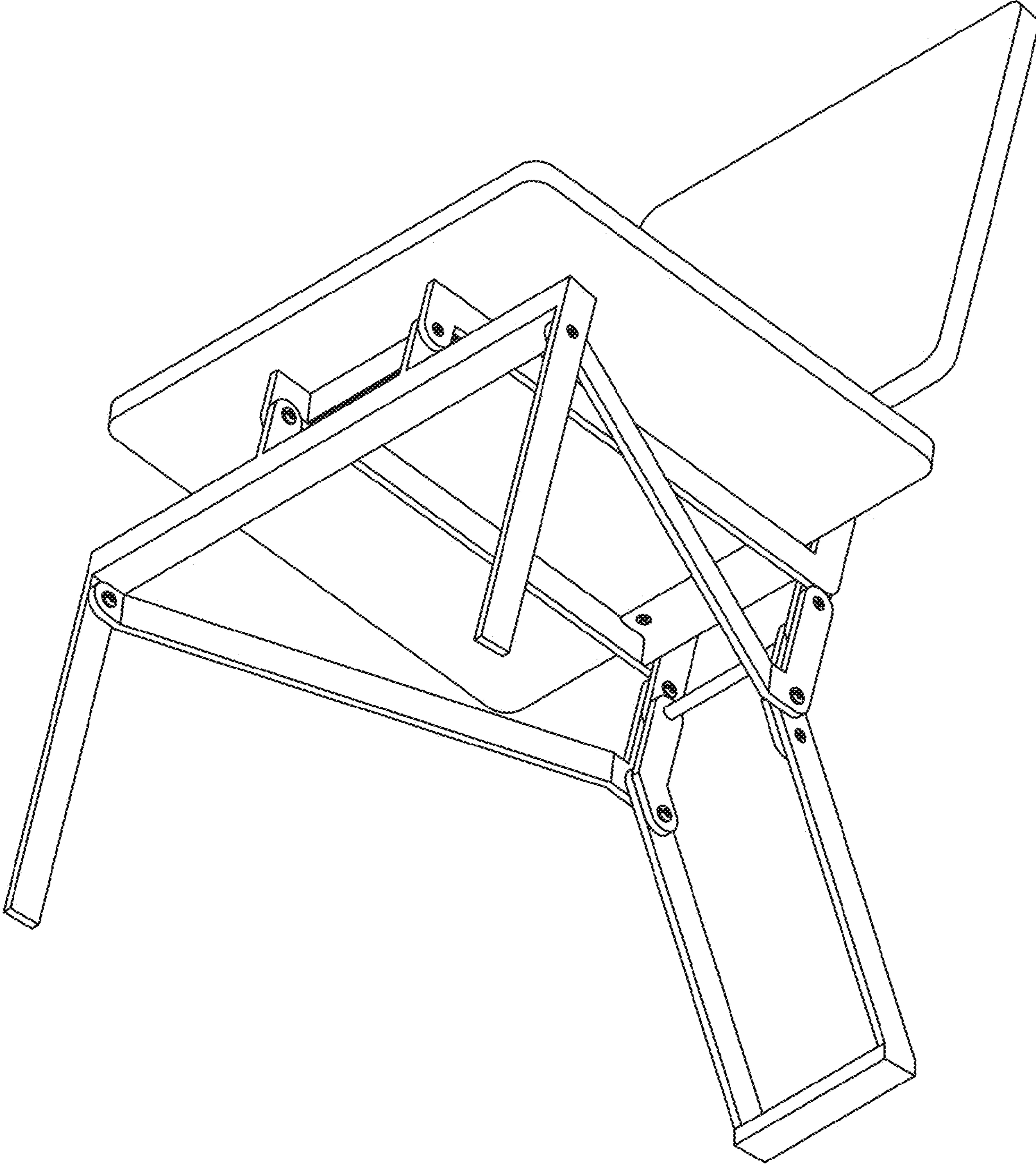


Fig. 10

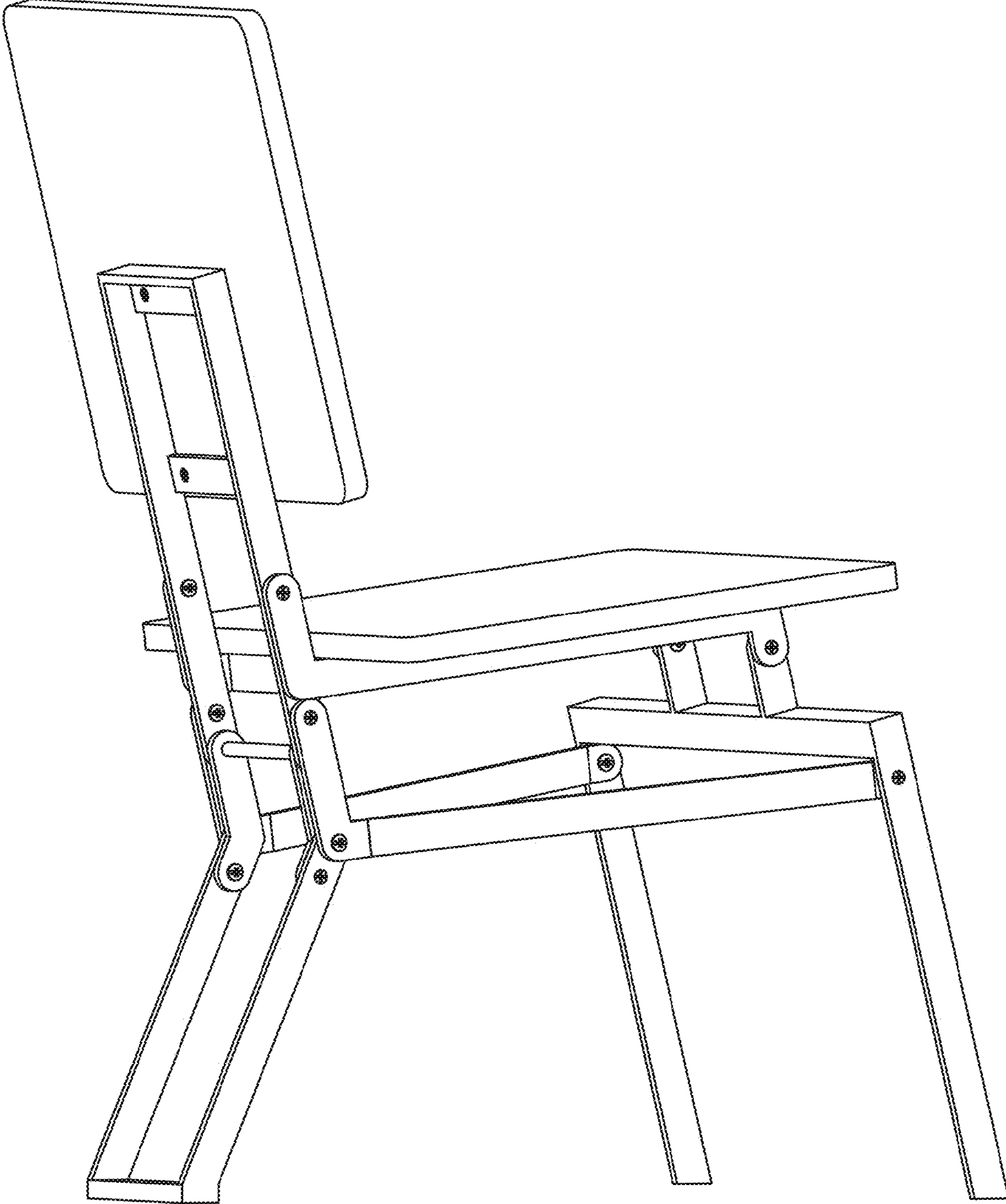


Fig. 11

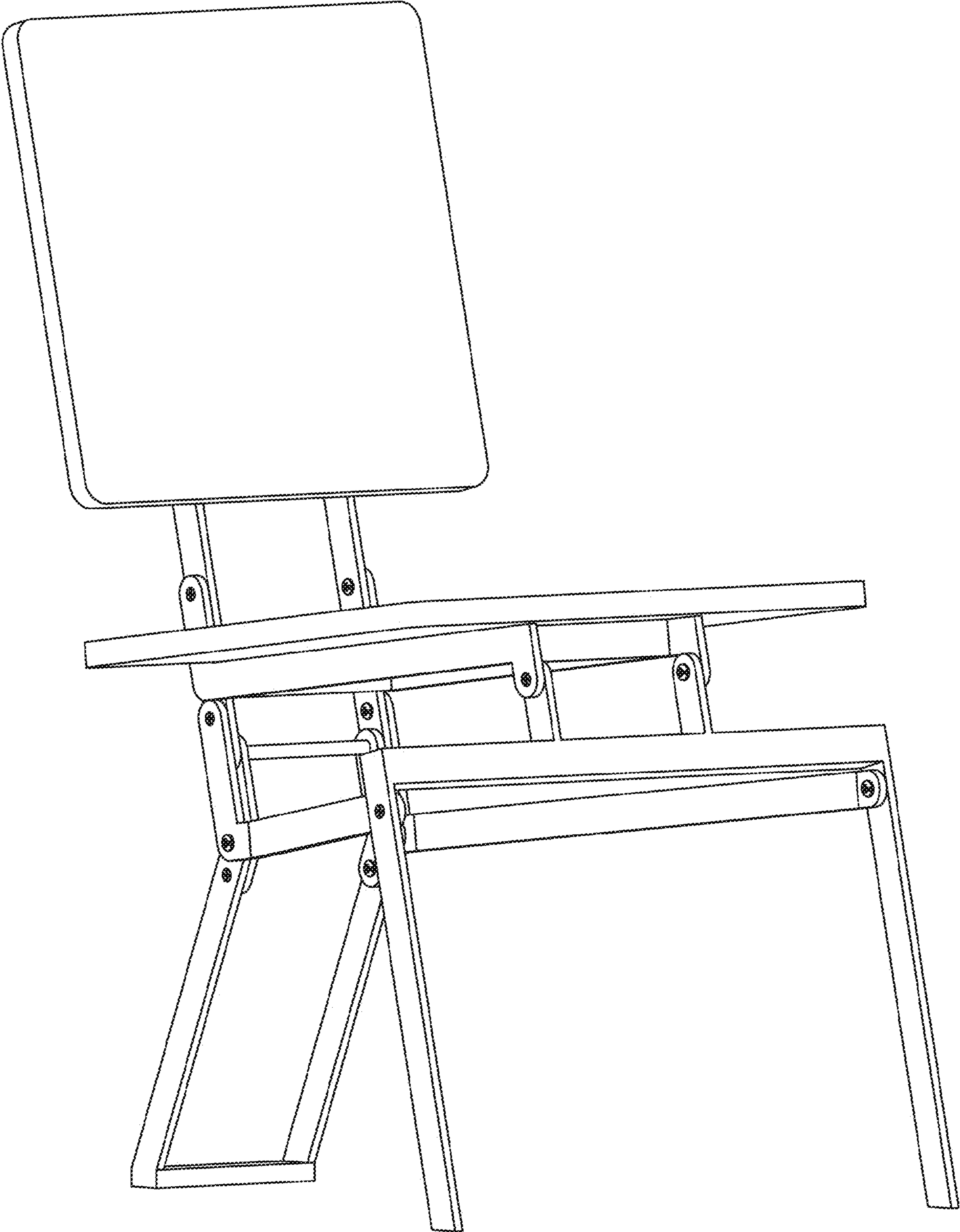


Fig. 12

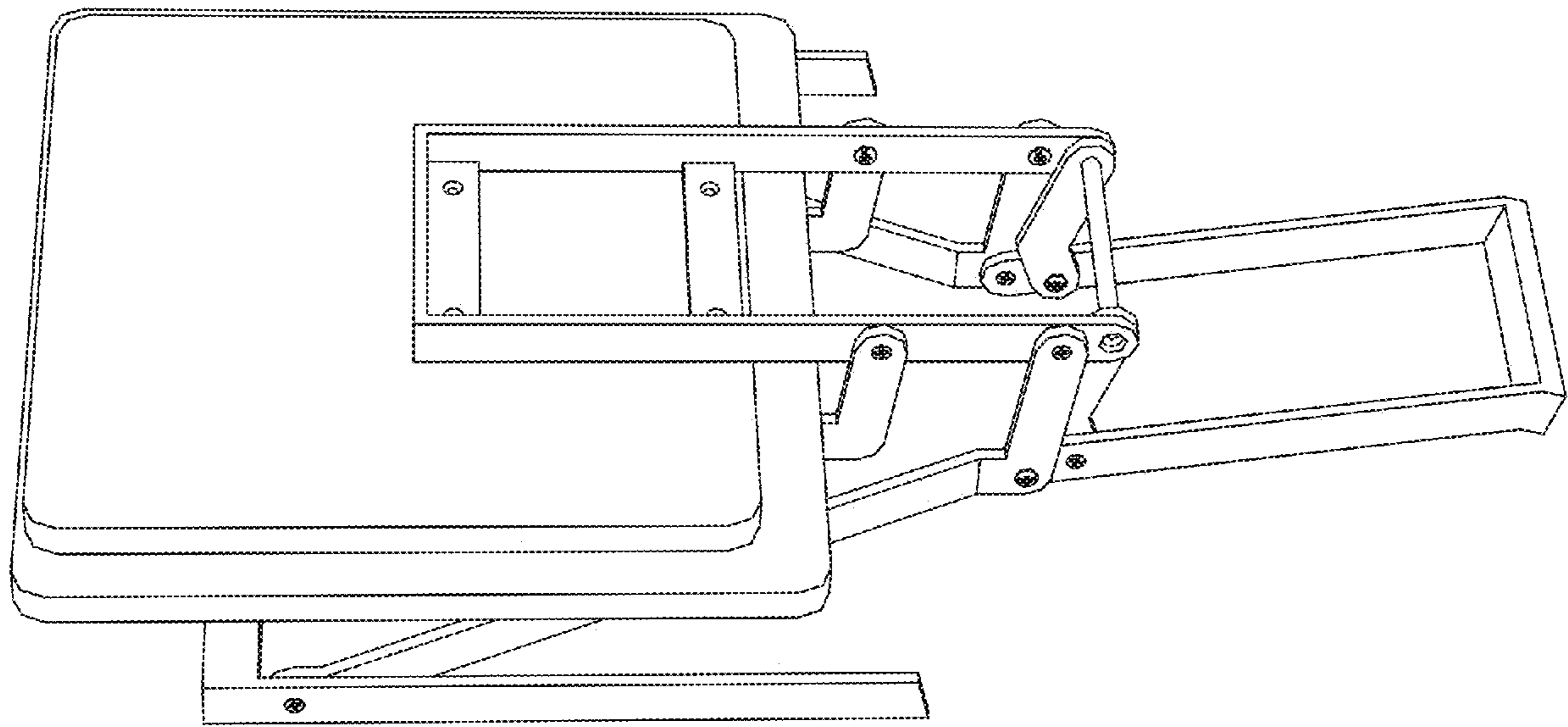


Fig. 13

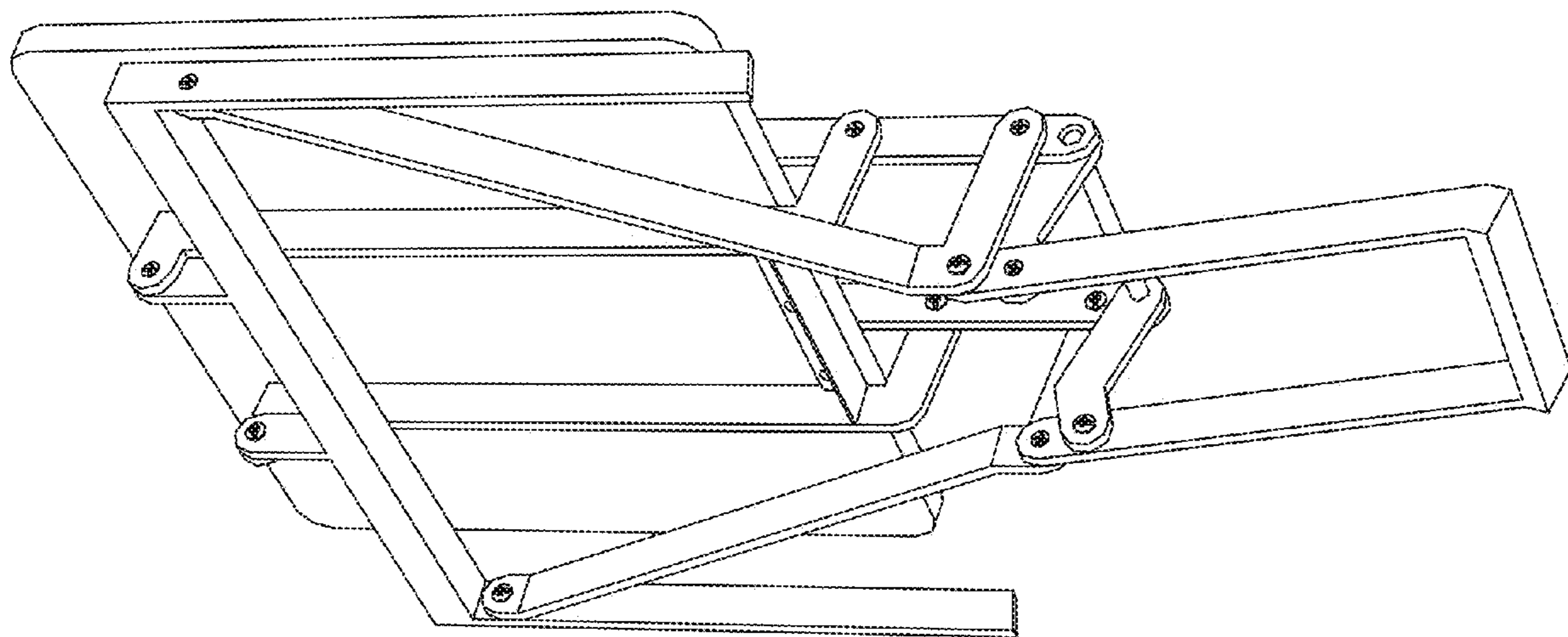


Fig. 14

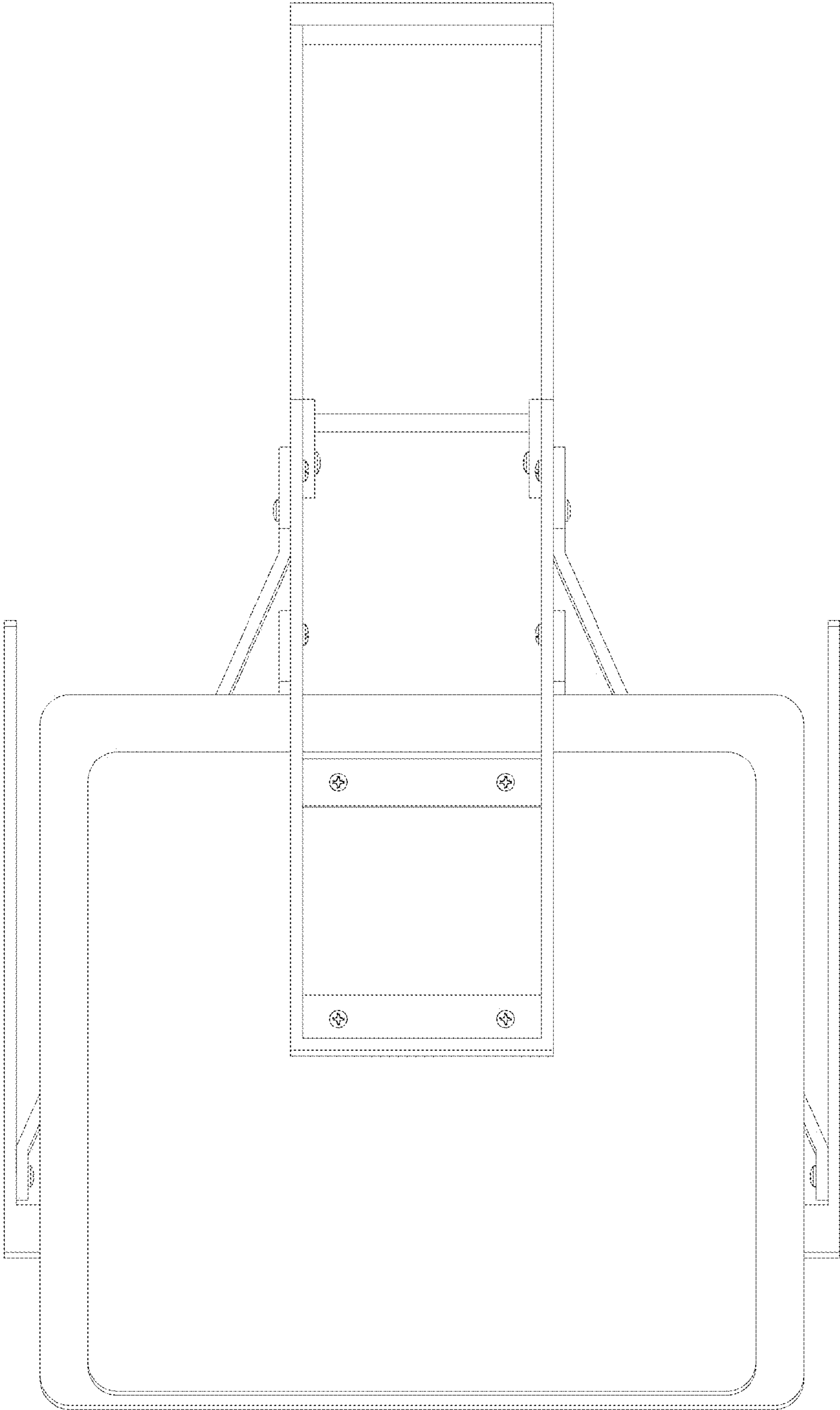


Fig. 15

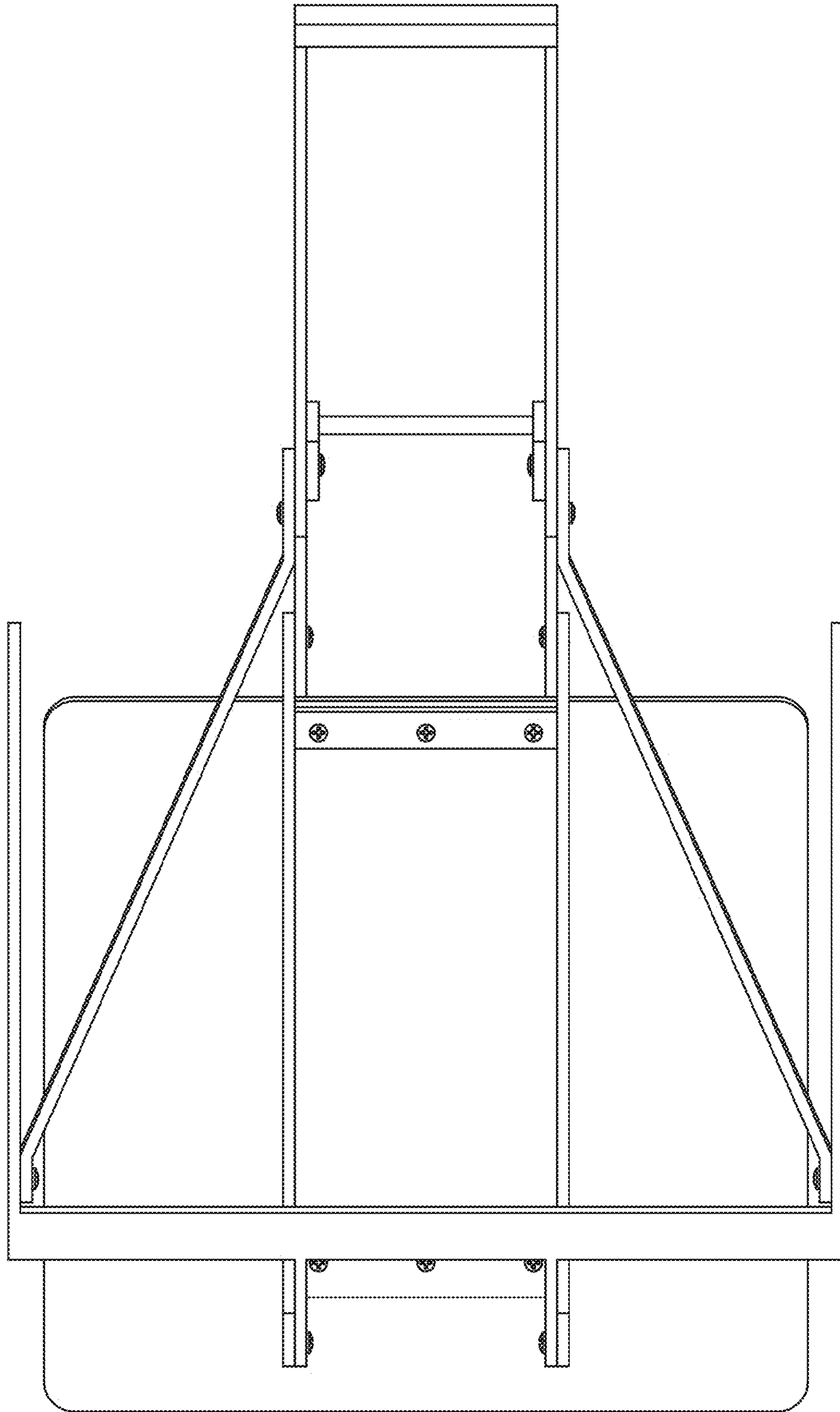


Fig. 16

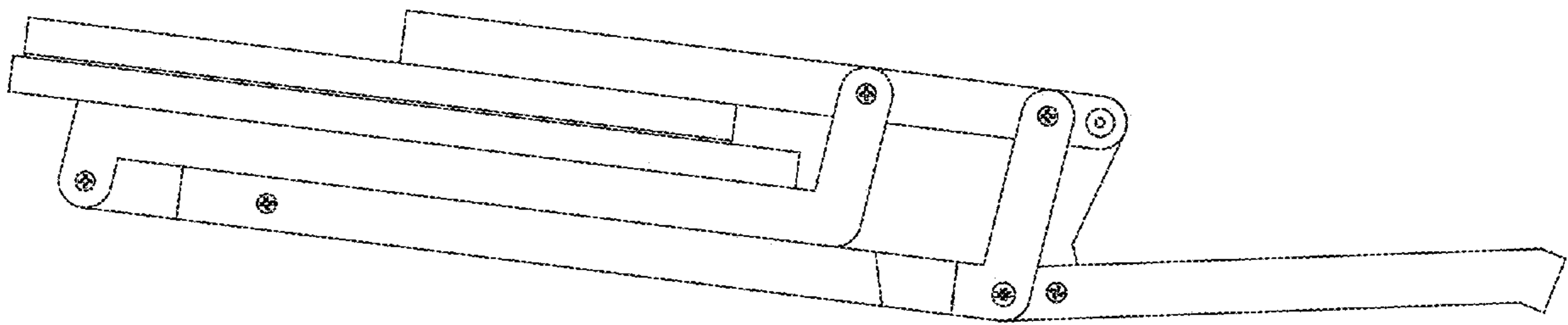


Fig. 17

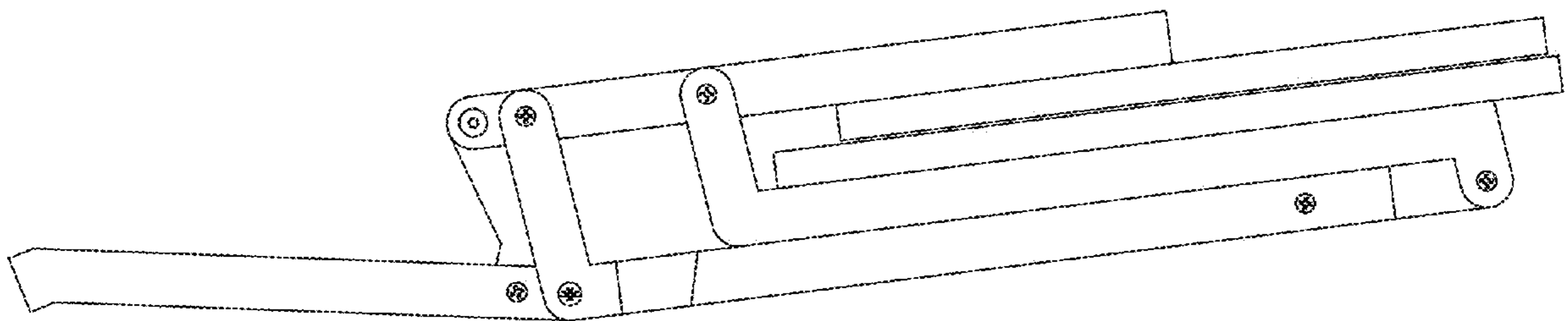


Fig. 18

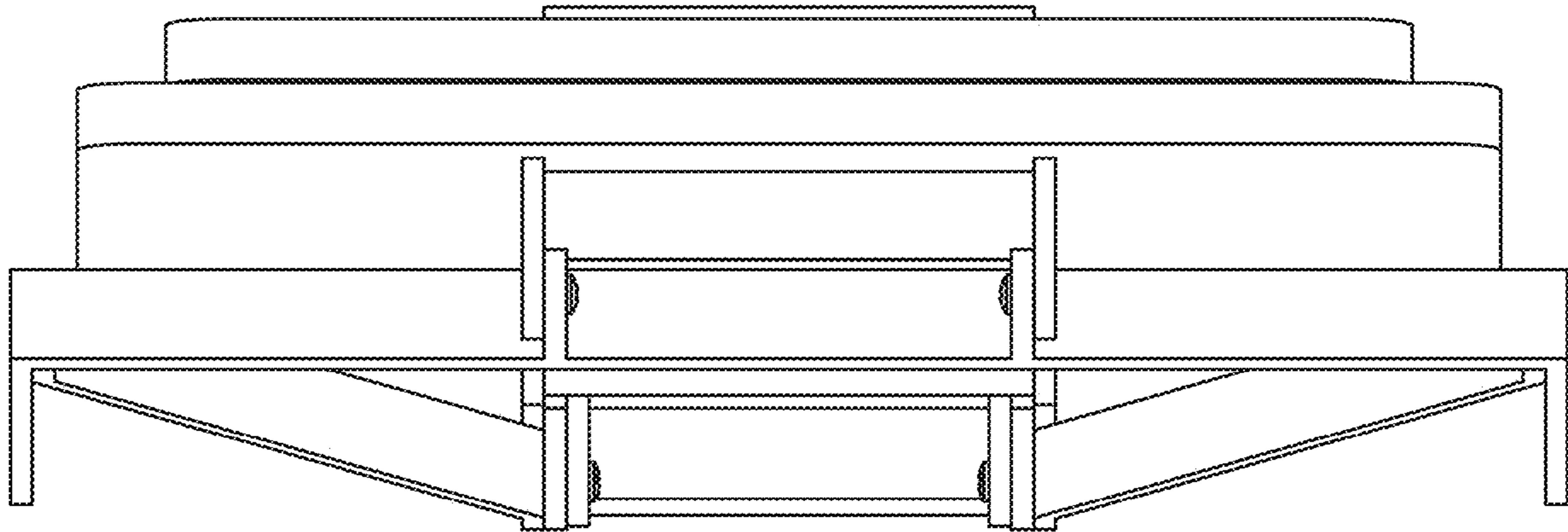


Fig. 19

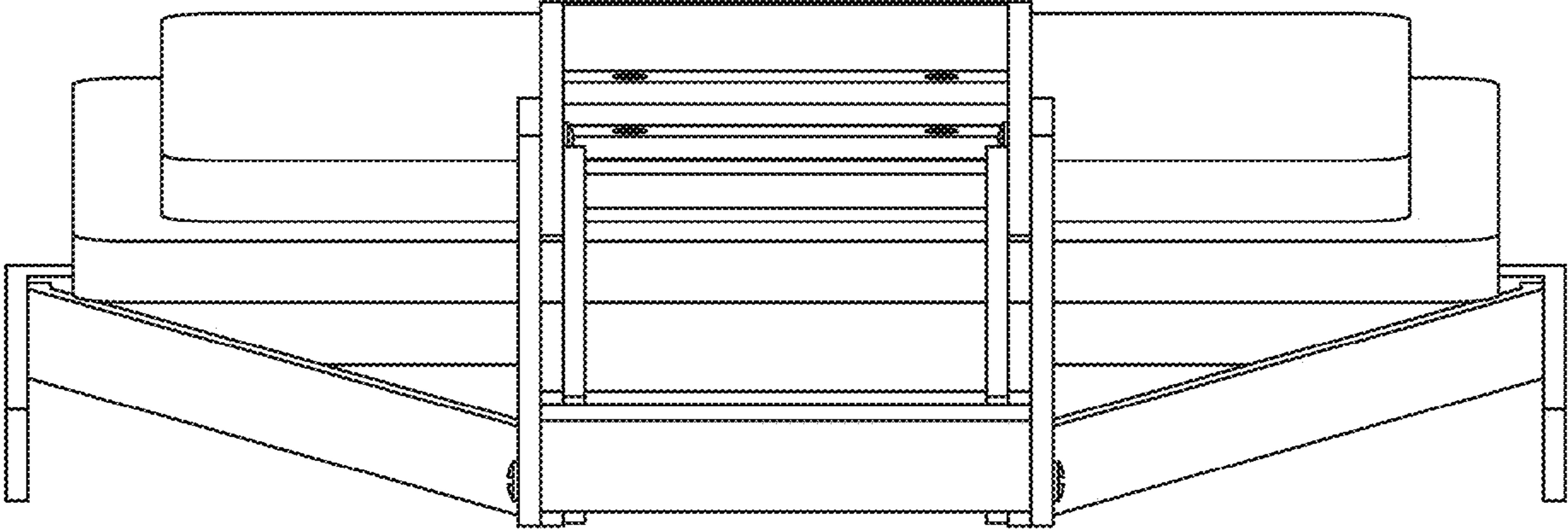


Fig. 20

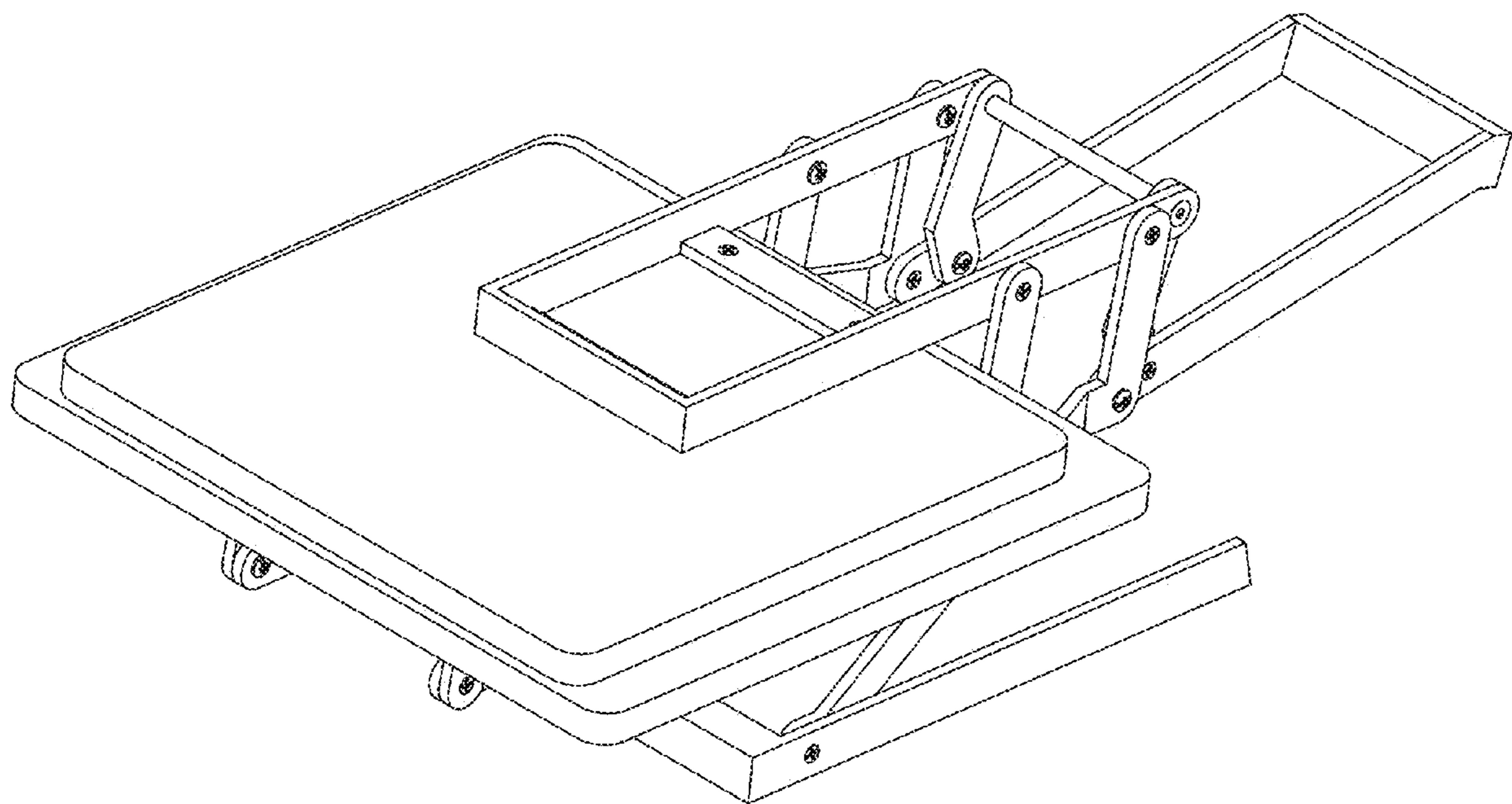


Fig. 21

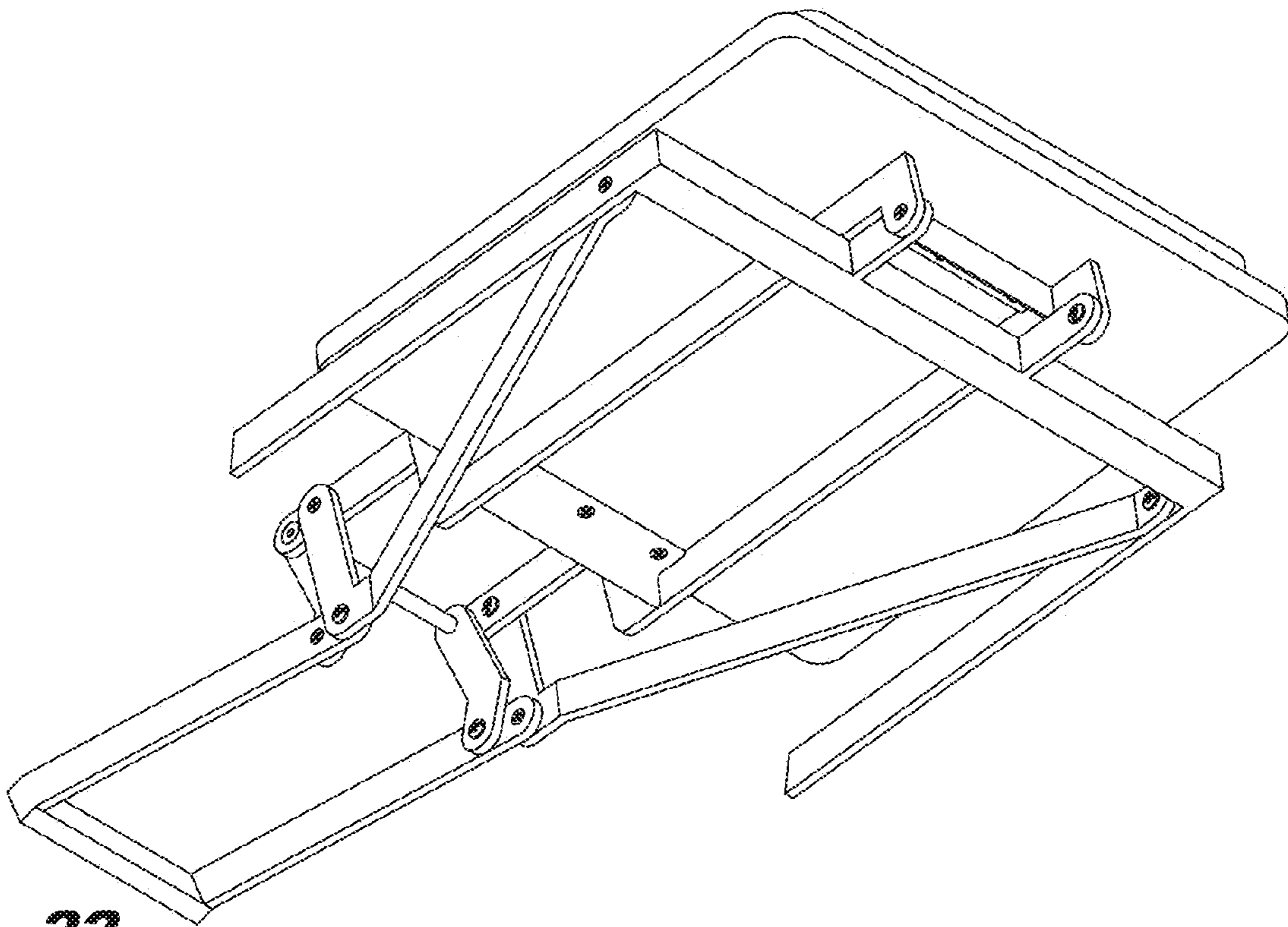


Fig. 22