



US00D882971S

(12) **United States Design Patent**
Izawa

(10) **Patent No.:** **US D882,971 S**
(45) **Date of Patent:** **** May 5, 2020**

(54) **CHAIR**

(71) Applicant: **Okamura Corporation**, Yokohama-shi,
Kanagawa (JP)

(72) Inventor: **Syouichi Izawa**, Yokohama (JP)

(73) Assignee: **Okamura Corporation**, Yokohama-shi,
Kanagawa (JP)

(**) Term: **15 Years**

(21) Appl. No.: **29/642,757**

(22) Filed: **Apr. 2, 2018**

(30) **Foreign Application Priority Data**

Oct. 2, 2017 (JP) 2017-021758

(51) **LOC (12) Cl.** **06-01**

(52) **U.S. Cl.**
USPC **D6/334**

(58) **Field of Classification Search**
USPC D6/334, 335, 336, 366, 367, 368, 369,
D6/370, 374, 375-381
CPC .. A47C 1/00; A47C 3/12; A47C 17/00; A47C
17/02; A47C 13/005
See application file for complete search history.

(56) **References Cited**

U.S. PATENT DOCUMENTS

D181,945 S *	1/1958	Saارين	D6/365
D187,525 S *	3/1960	Ihreborn	D6/334
D288,388 S *	2/1987	Ochsner	D6/366
D451,721 S *	12/2001	Grove	D6/366
D585,657 S *	2/2009	Massaud	D6/366

D708,466 S *	7/2014	Massaud	D6/716
D742,658 S *	11/2015	Bisman	D6/374
D766,640 S *	9/2016	Kubryk	D6/716
D798,068 S *	9/2017	Iqbal	D6/334
D798,069 S *	9/2017	Iqbal	D6/334
D799,846 S *	10/2017	Ono	D6/375
D811,757 S *	3/2018	Moscheri	D6/334
D819,990 S *	6/2018	Ono	D6/352
D820,625 S *	6/2018	Steinmeijer	D6/716
D821,777 S *	7/2018	Hale	D6/380
D824,689 S *	8/2018	Jongerius	D6/375
D825,216 S *	8/2018	Schaeffer	D6/375
D828,063 S *	9/2018	Yuglich	D6/716
D831,989 S *	10/2018	Gufler	D6/334
D836,360 S *	12/2018	Novak	D6/375
D857,409 S *	8/2019	Lopez	D6/334
D867,780 S *	11/2019	Krusin	D6/374

* cited by examiner

Primary Examiner — Deanna L Pratt

(74) *Attorney, Agent, or Firm* — Banner & Witcoff, Ltd.

(57) **CLAIM**

The ornamental design for a chair, as shown and described.

DESCRIPTION

FIG. 1 is a front perspective view of a chair showing my new design;
FIG. 2 is a rear perspective view thereof;
FIG. 3 is a front view thereof;
FIG. 4 is a rear view thereof;
FIG. 5 is a right side view thereof, the left side view being a mirror image thereof;
FIG. 6 is a top view thereof; and,
FIG. 7 is a bottom view thereof.

1 Claim, 7 Drawing Sheets

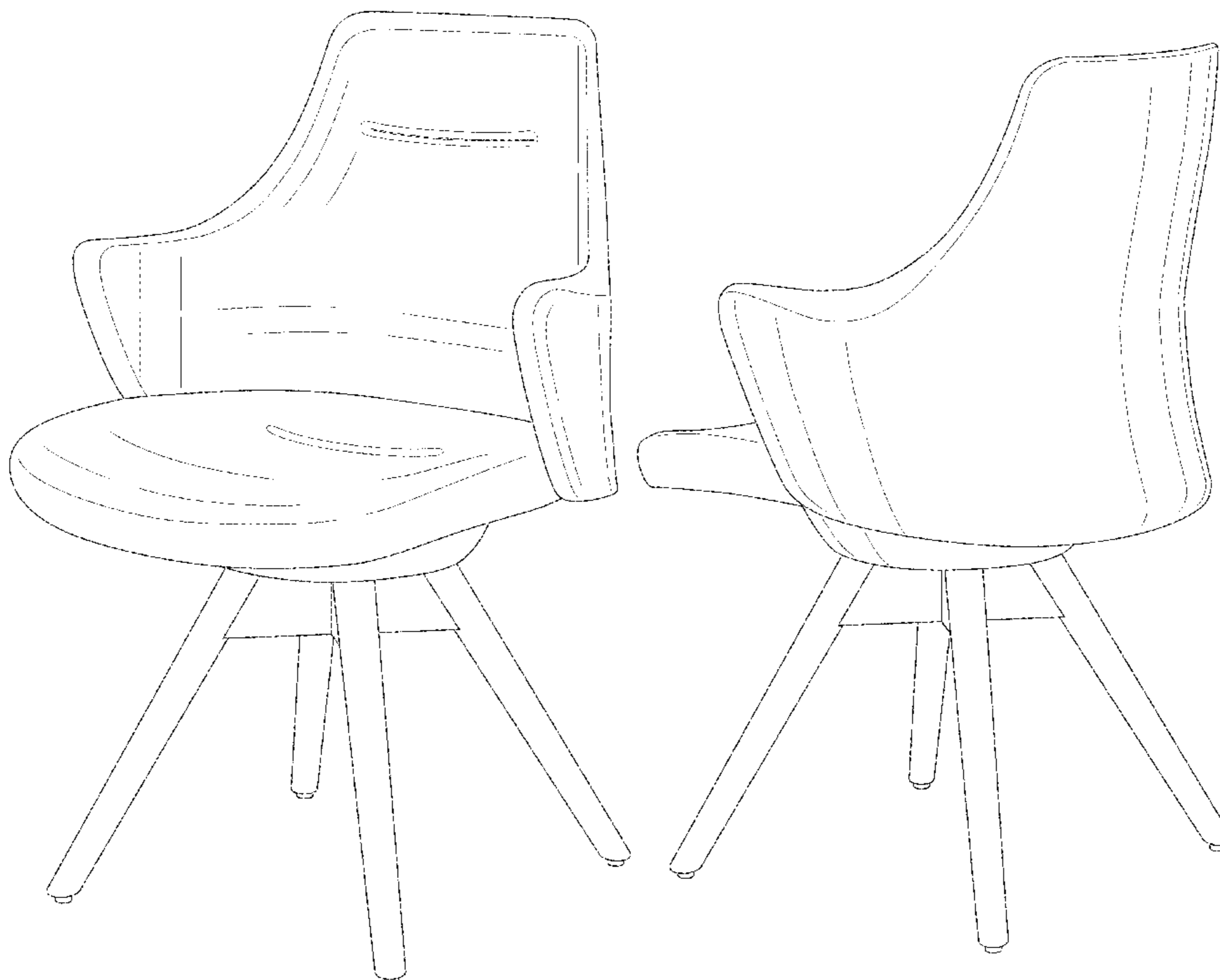


Fig. 1

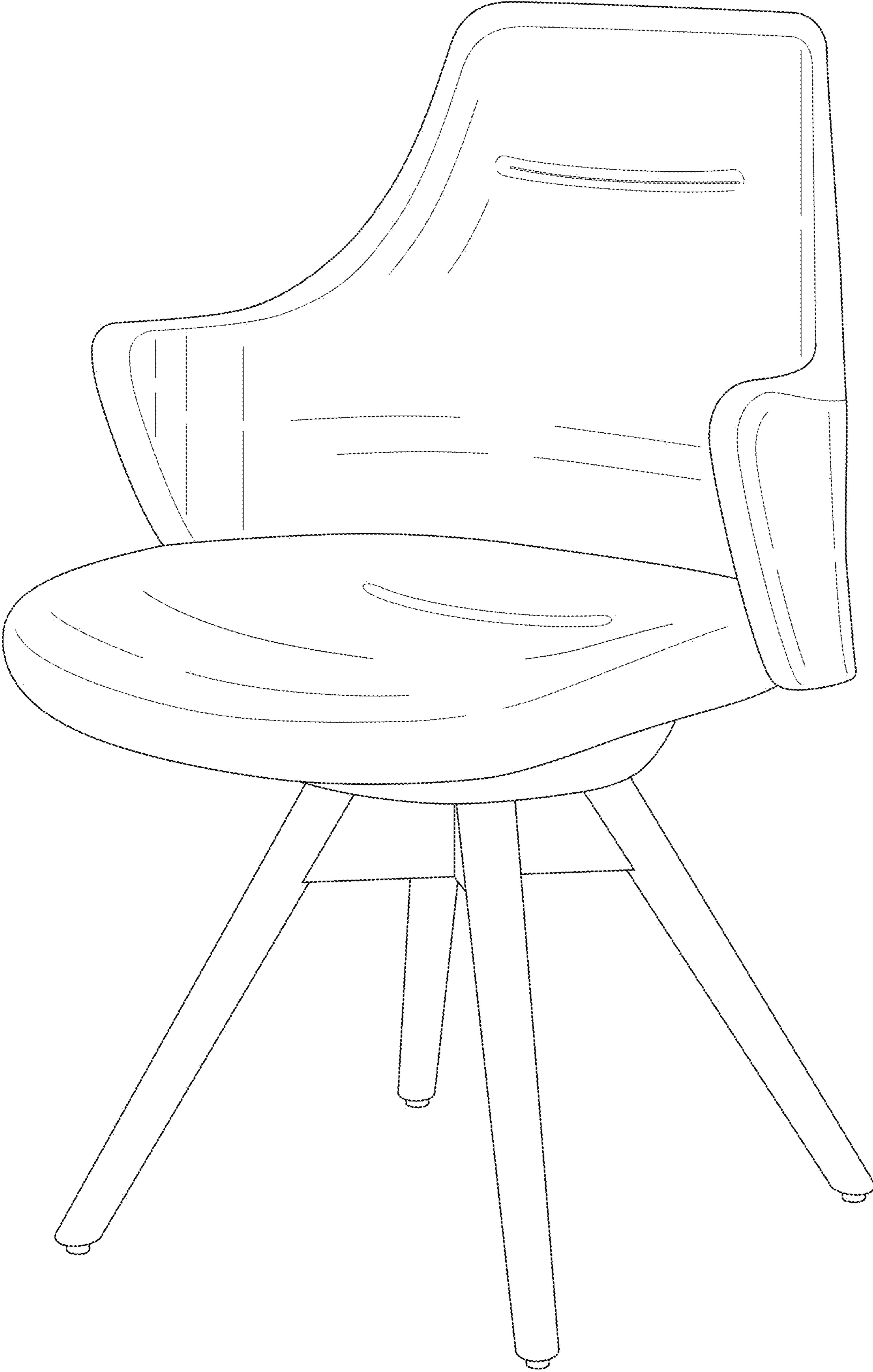


Fig. 2

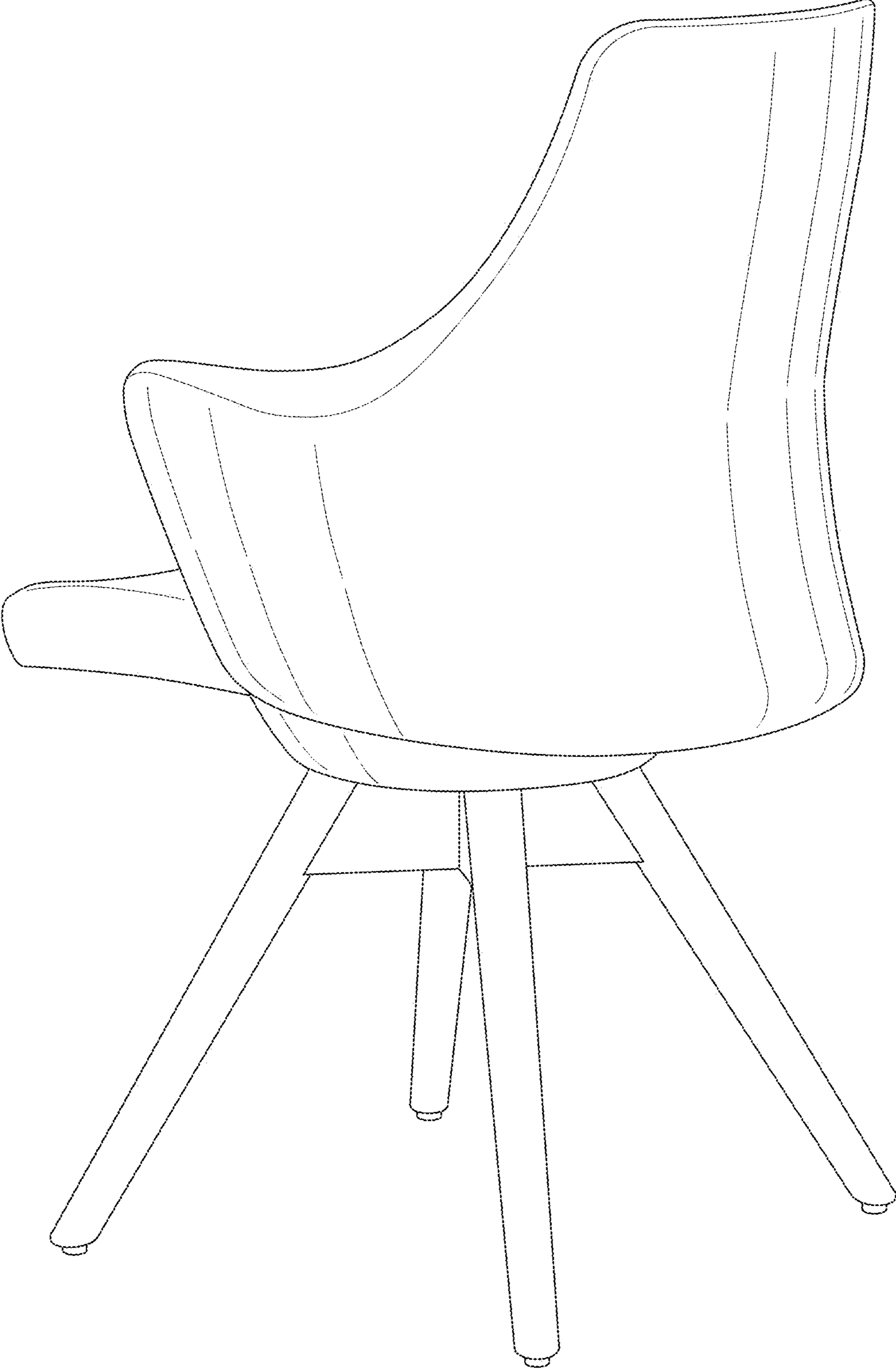


Fig. 3

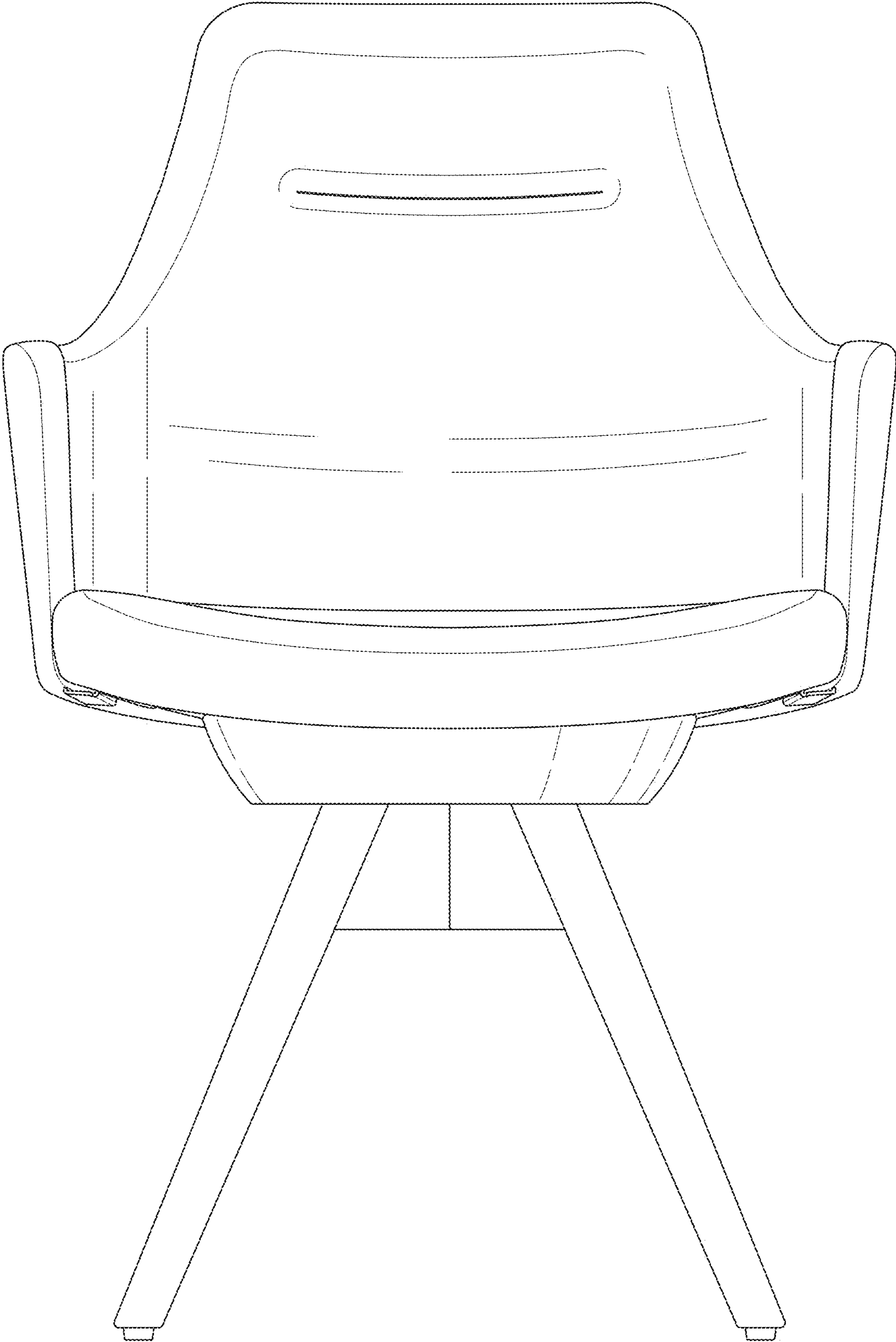


Fig. 4

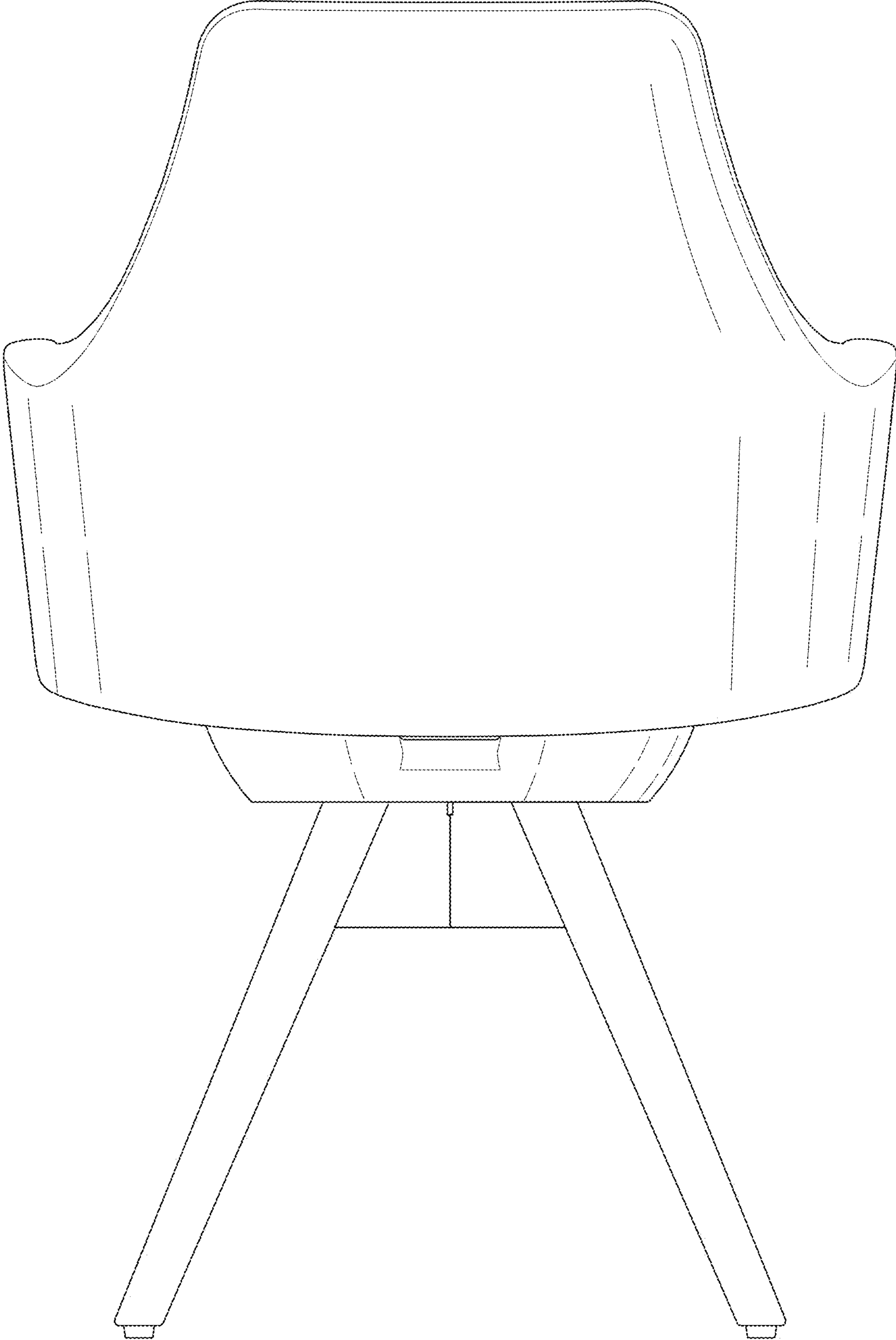


Fig. 5



Fig. 6

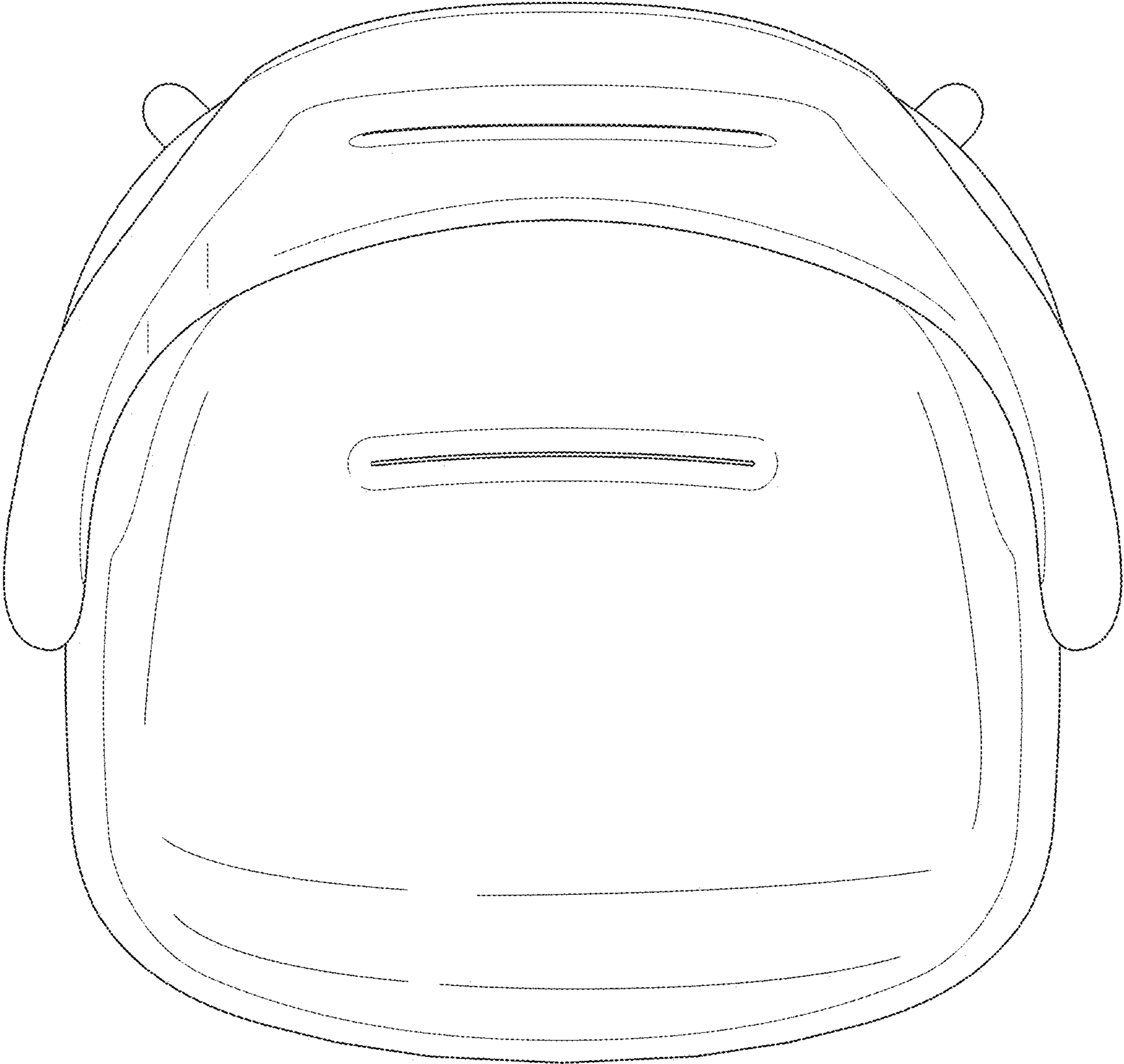


Fig. 7

