



US00D882970S

(12) **United States Design Patent** (10) **Patent No.:** **US D882,970 S**  
**Matsuyama** (45) **Date of Patent:** **\*\* May 5, 2020**

(54) **SHOPPING CART CHILD SEAT COVER**

(71) Applicant: **Tomokatsu Matsuyama**, Aptos, CA (US)

(72) Inventor: **Tomokatsu Matsuyama**, Aptos, CA (US)

(\*\*) Term: **15 Years**

(21) Appl. No.: **29/707,517**

(22) Filed: **Sep. 28, 2019**

(51) **LOC (12) Cl.** ..... **06-01**

(52) **U.S. Cl.**  
USPC ..... **D6/333**

(58) **Field of Classification Search**  
USPC ..... D6/333-336, 338-339, 611, 601, 596;  
D12/128-129; D34/18, 27; 297/255,  
297/256.15, 256.17, 219.12, 229, 33.992,  
297/228.11, 218.1, 485, 484, 466, 468  
CPC . A47D 1/00; A47D 1/10; A47D 1/103; A47D  
13/00; A47D 13/02; A47D 13/025; A47D  
15/00; A47D 15/005; A47D 15/006;  
A47C 31/00; B62B 3/00; B62B 3/1448;  
B62B 3/1444

See application file for complete search history.

(56) **References Cited**

U.S. PATENT DOCUMENTS

4,403,807 A	9/1983	Wilkinson et al.	
4,423,882 A	1/1984	Stover et al.	
4,805,937 A	2/1989	Boucher et al.	
5,238,293 A *	8/1993	Gibson .....	B62B 3/144 280/33.993
5,855,412 A	1/1999	Smith et al.	
D423,176 S *	4/2000	Cherry .....	D34/27
6,129,417 A *	10/2000	Cohen-Fyffe .....	B62B 3/144 297/219.12
6,237,998 B1	5/2001	Aprile	
D477,717 S *	7/2003	Gillenwater .....	D6/333

6,702,381 B2	3/2004	Endicott et al.	
D492,830 S *	7/2004	Rogers .....	D34/27
6,851,749 B2	2/2005	Norman	
6,948,725 B2	9/2005	Sampson et al.	
7,029,066 B1	4/2006	Myers-Jones	
7,100,982 B2 *	9/2006	Lundgren .....	B62B 3/144 280/33.992
7,367,621 B1	5/2008	Han-dressor et al.	
7,374,182 B2	5/2008	Gurley et al.	
7,644,937 B2	1/2010	Giampavolo et al.	
8,042,869 B2 *	10/2011	McClintock .....	B62B 3/1448 297/219.12
8,235,400 B2	8/2012	Gibson	
8,528,916 B2	9/2013	Giampavolo et al.	
8,632,080 B2	1/2014	Russell et al.	
8,696,400 B2	4/2014	Fair et al.	
D748,884 S	2/2016	Evans et al.	

(Continued)

Primary Examiner — Abraham Bahta

(74) Attorney, Agent, or Firm — Alexander Chen, Esq

(57) **CLAIM**

The ornamental design for a shopping cart child seat cover, as shown and described.

**DESCRIPTION**

FIG. 1 is a plan view of the outer side of the shopping cart child seat cover showing my new design; FIG. 2 is a plan view of the inner side thereof; FIG. 3 is a perspective view of the shopping cart child seat cover thereof; the seat cover being in a folded state; FIG. 4 is a perspective view of the shopping cart child seat cover, the seat cover being in unfolded state and shown in use; FIG. 5 is a front view thereof; and, FIG. 6 is another perspective view of FIG. 4. The broken line showing of portions of the shopping cart child seat cover is included for the purpose of illustrating environmental structure and forms no part of the claimed design.

**1 Claim, 6 Drawing Sheets**



(56)

**References Cited**

U.S. PATENT DOCUMENTS

9,688,299 B2 6/2017 Giampavolo et al.  
9,796,403 B2 10/2017 Fair et al.  
D852,451 S 6/2019 Falato

\* cited by examiner



FIG. 1



FIG. 2

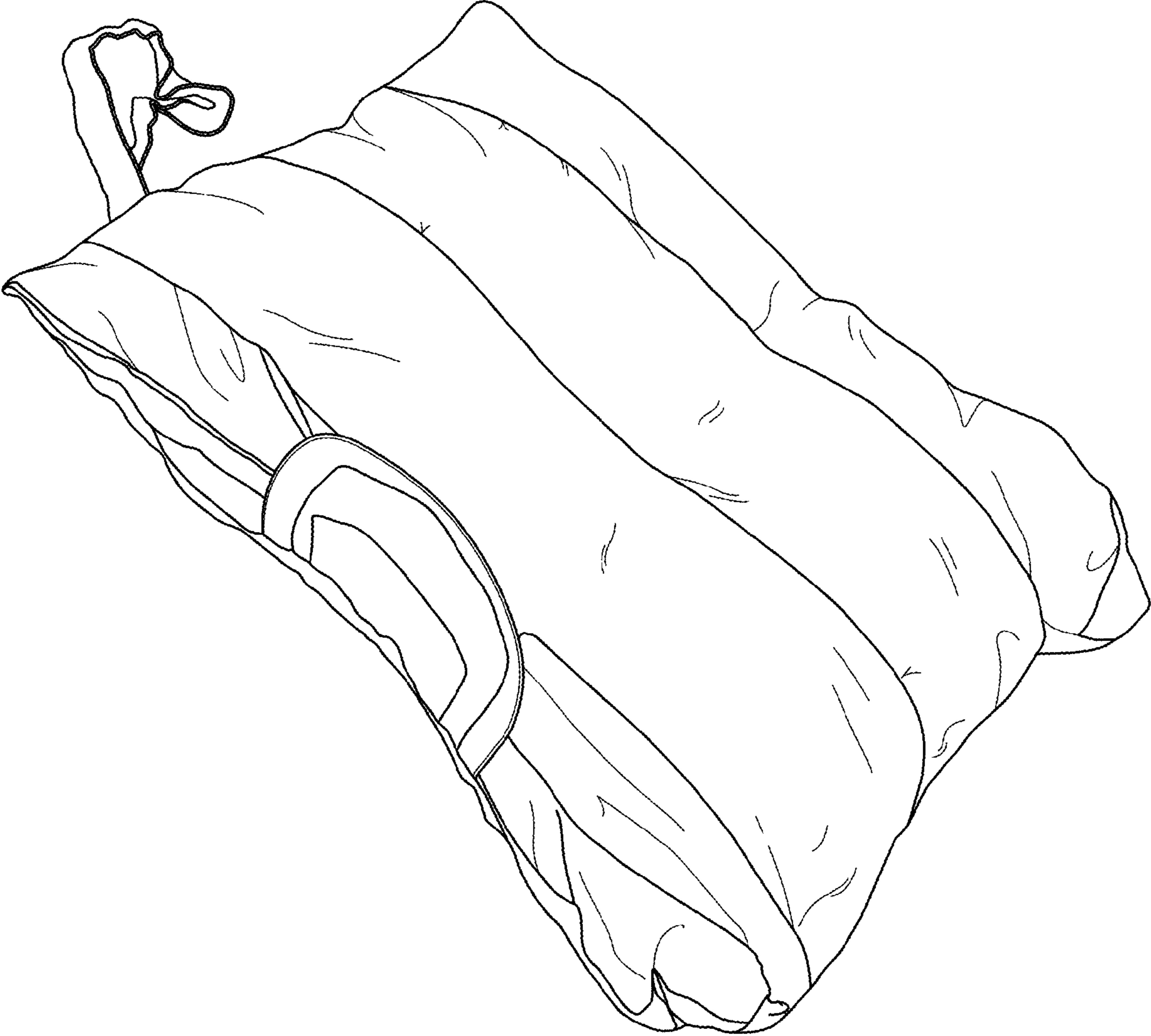


FIG. 3

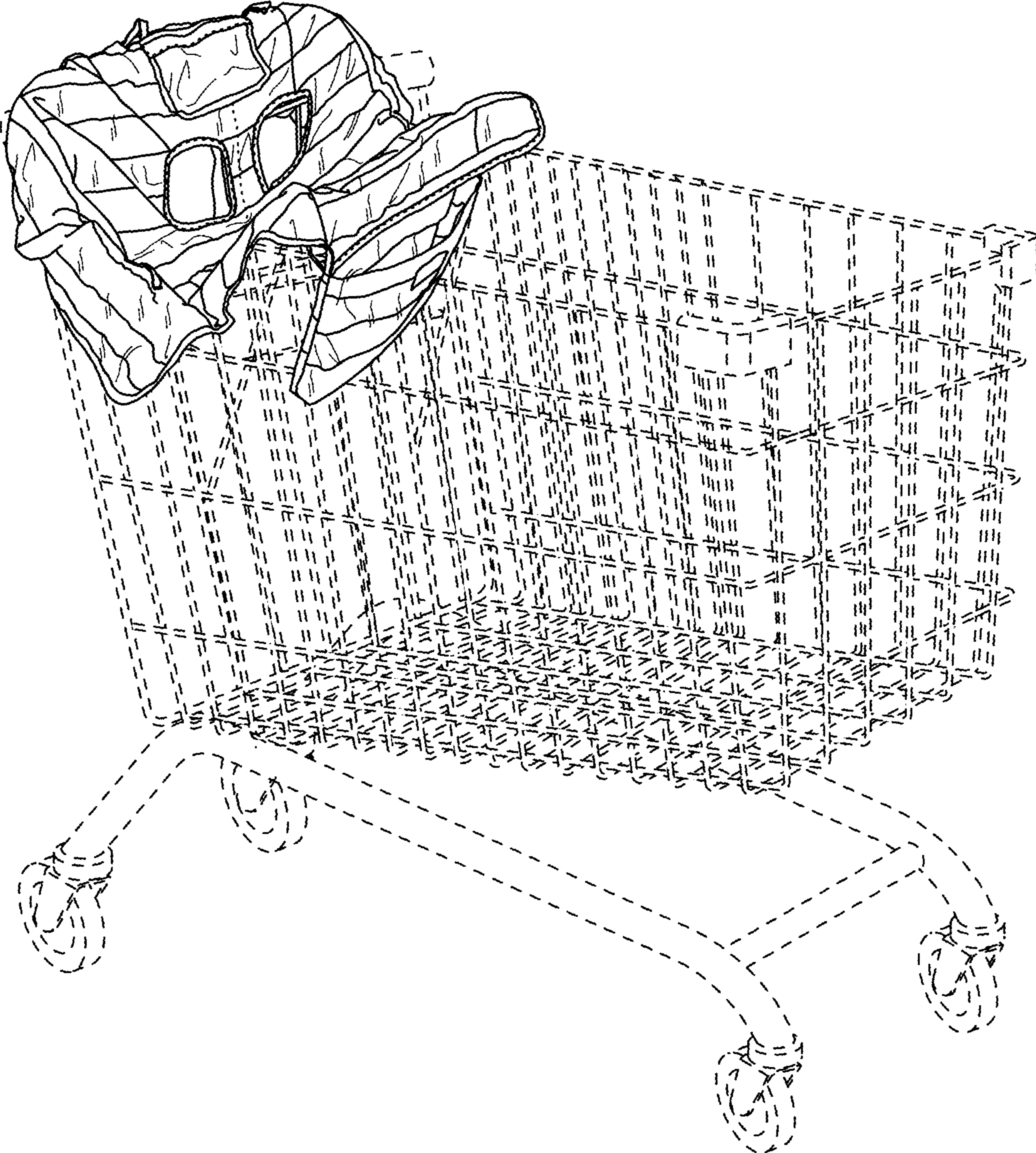


FIG. 4

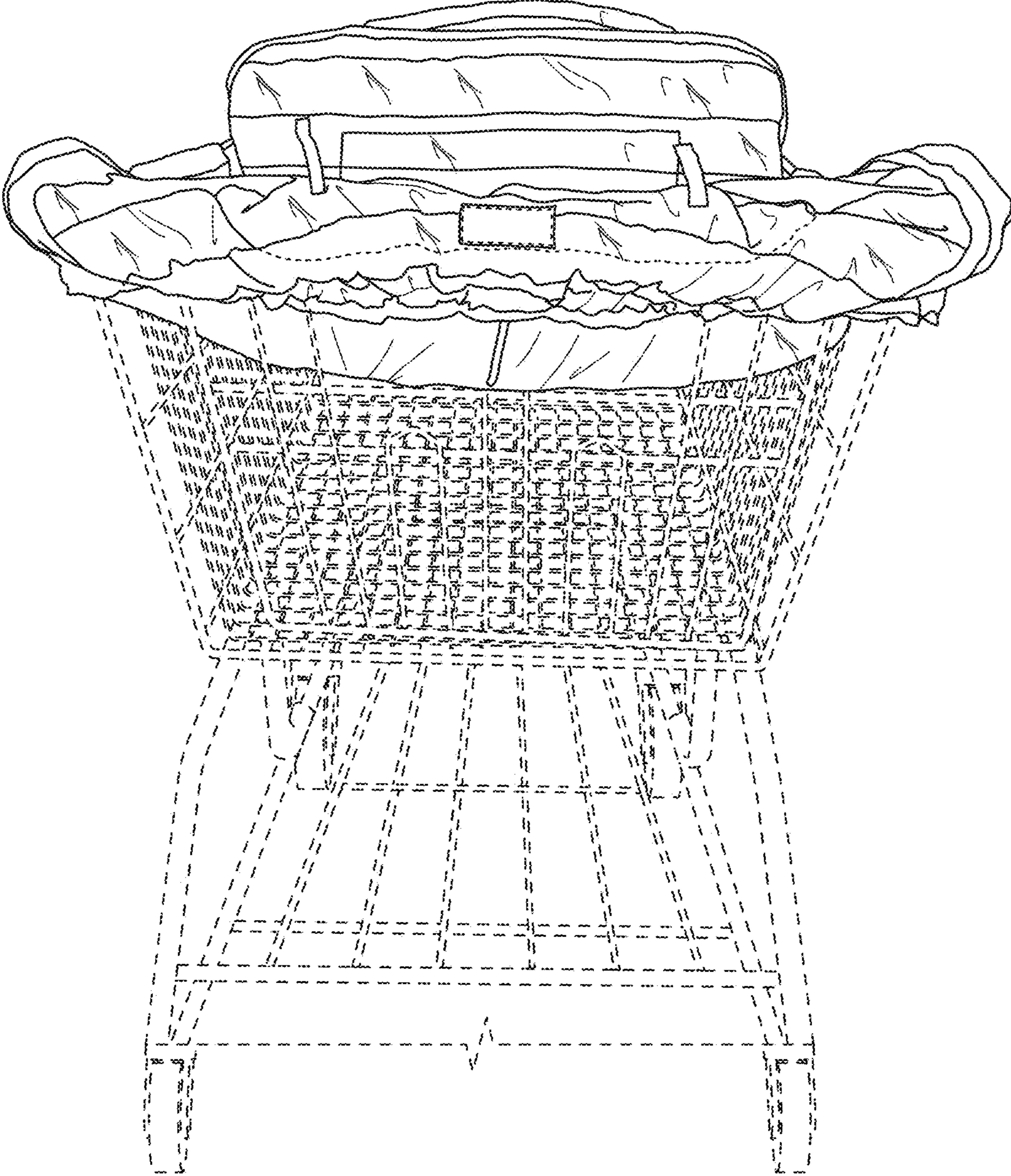


FIG. 5

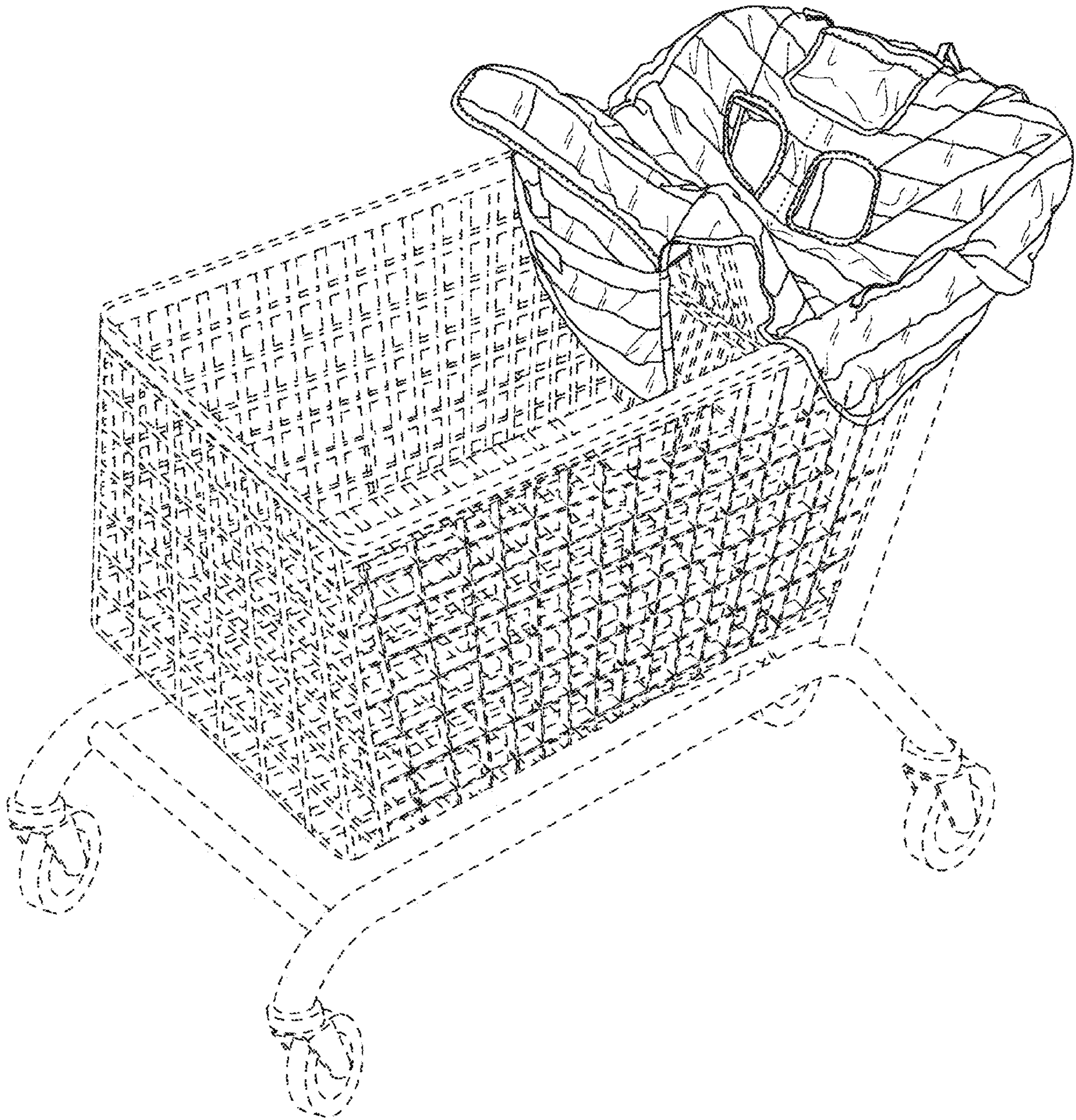


FIG. 6