



US00D882969S

(12) **United States Design Patent** (10) **Patent No.:** **US D882,969 S**
Clark et al. (45) **Date of Patent:** **** May 5, 2020**

(54) **HANGER**

(71) Applicant: **TARGET BRANDS, INC.**,
Minneapolis, MN (US)

(72) Inventors: **Jeremy A. Clark**, Minneapolis, MN
(US); **Richard P. Riedel**, Blaine, MN
(US); **Terrence J. Hornsby, Jr.**,
Minneapolis, MN (US); **Timothy**
James Martell, Minneapolis, MN (US)

(73) Assignee: **TARGET BRANDS, INC.**,
Minneapolis, MN (US)

D301,808 S	6/1989	Marshall	
D301,942 S	7/1989	Talbot-Titley	
5,029,739 A	7/1991	Blanchard et al.	
5,062,556 A	11/1991	Willputz	
5,082,153 A	1/1992	Duester et al.	
D323,588 S	2/1992	Pelosi	
D328,194 S	7/1992	Garrison	
D352,834 S	11/1994	Norman	
5,400,932 A	3/1995	Hollis	
5,516,014 A *	5/1996	Garrison A47G 25/485 223/91
5,603,438 A	2/1997	Jugan	
5,613,630 A	3/1997	Isenga et al.	

(Continued)

(**) Term: **15 Years**

(21) Appl. No.: **29/663,593**

(22) Filed: **Sep. 17, 2018**

(51) **LOC (12) Cl.** **06-08**

(52) **U.S. Cl.**
USPC **D6/326; D6/328**

(58) **Field of Classification Search**
USPC D6/315-328
CPC A47G 25/26; A47G 25/28; A47G 25/30;
A47G 25/32; A47G 25/34; A47G 25/36;
A47G 25/38; A47G 25/442; A47G
25/625; A47G 25/743; A47G 25/1407;
A47G 25/1457; A47G 2025/1492; A47F
7/18; A47F 7/19; A47F 7/22
See application file for complete search history.

(56) **References Cited**

U.S. PATENT DOCUMENTS

3,946,915 A *	3/1976	Crane A47G 25/485 223/96
D243,138 S	1/1977	Coon	
4,295,585 A *	10/1981	Garrison A47G 25/485 223/96
D271,649 S	12/1983	Batts et al.	
D301,661 S	6/1989	Wilson	

OTHER PUBLICATIONS

U.S. Appl. No. 29/665,330, filed Oct. 2, 2018 (9 pages).

Primary Examiner — Lauren R Calve

(74) *Attorney, Agent, or Firm* — JoAnn M. Seaton;
Griffiths & Seaton PLLC

(57) **CLAIM**

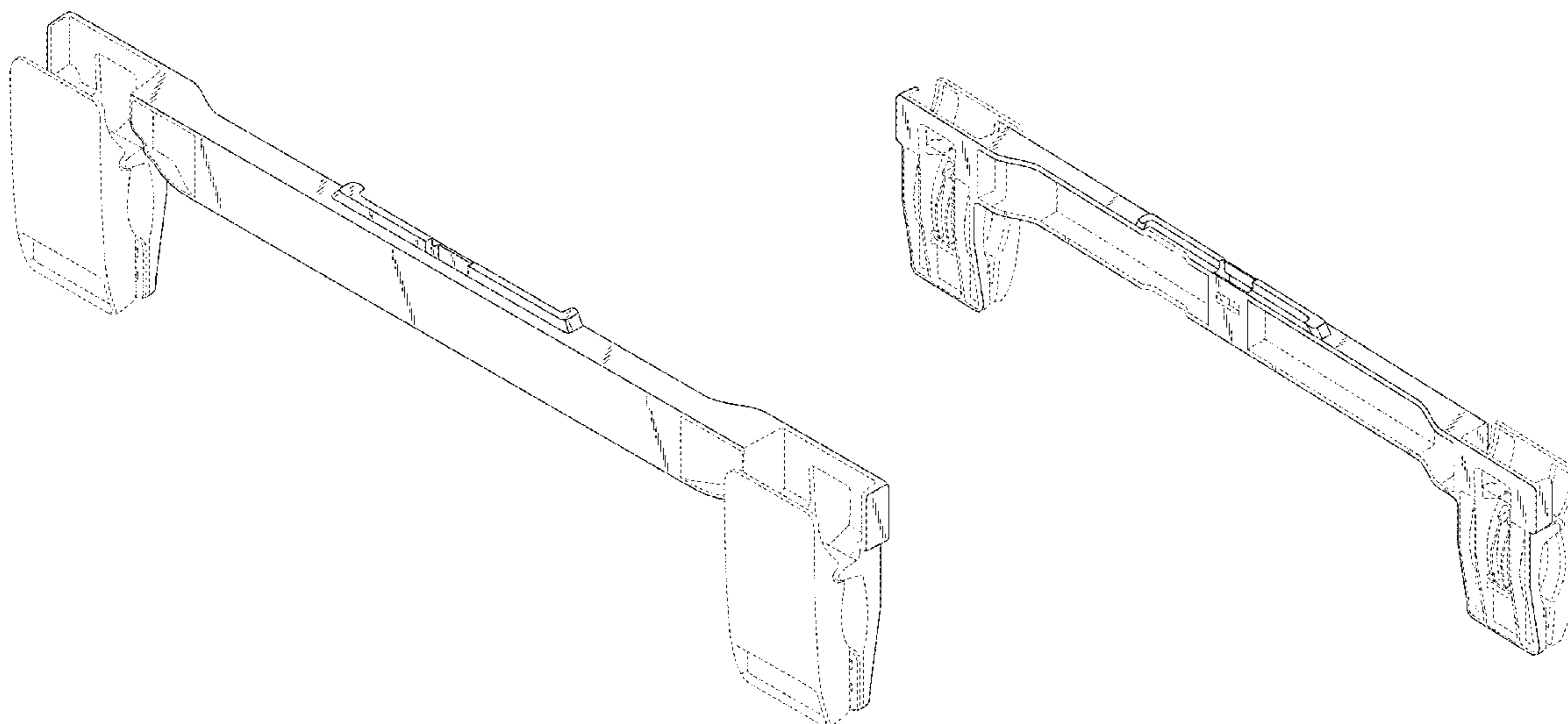
The ornamental design for a hanger, as shown and described.

DESCRIPTION

FIG. 1 is a front, top perspective view of a hanger showing a first embodiment of our new design;
 FIG. 2 is a rear, top perspective view thereof;
 FIG. 3 is a front view thereof;
 FIG. 4 is rear view thereof;
 FIG. 5 is left side view thereof;
 FIG. 6 is a right side view thereof;
 FIG. 7 is a top view thereof; and,
 FIG. 8 is a bottom view thereof.

The features shown in broken lines are portions of the hanger forming no part of the claimed design. The features shown in long dash-short dash bolded broken lines indicate the bounds of the claimed design and otherwise form no part of the claimed design.

1 Claim, 4 Drawing Sheets



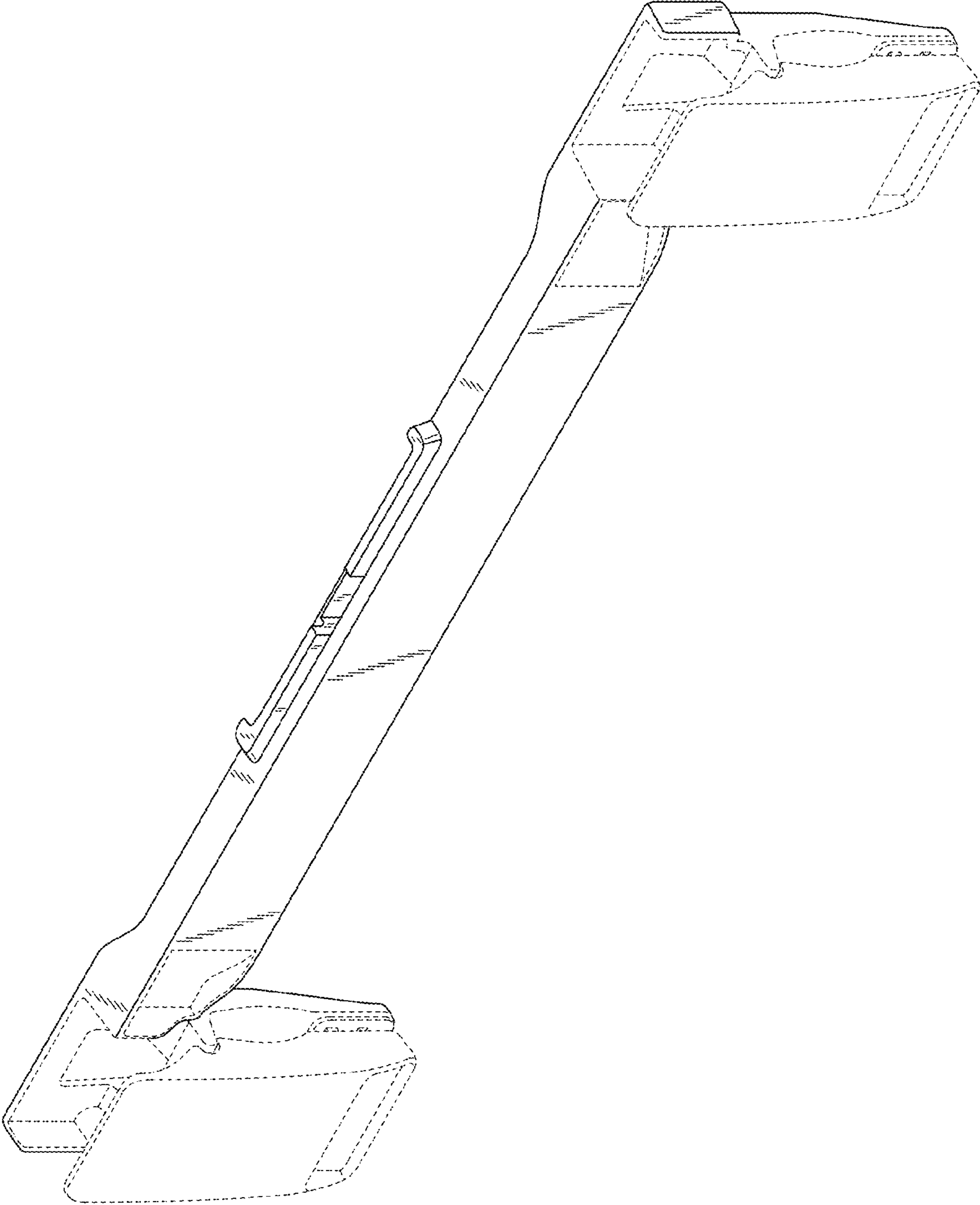


FIG. 1

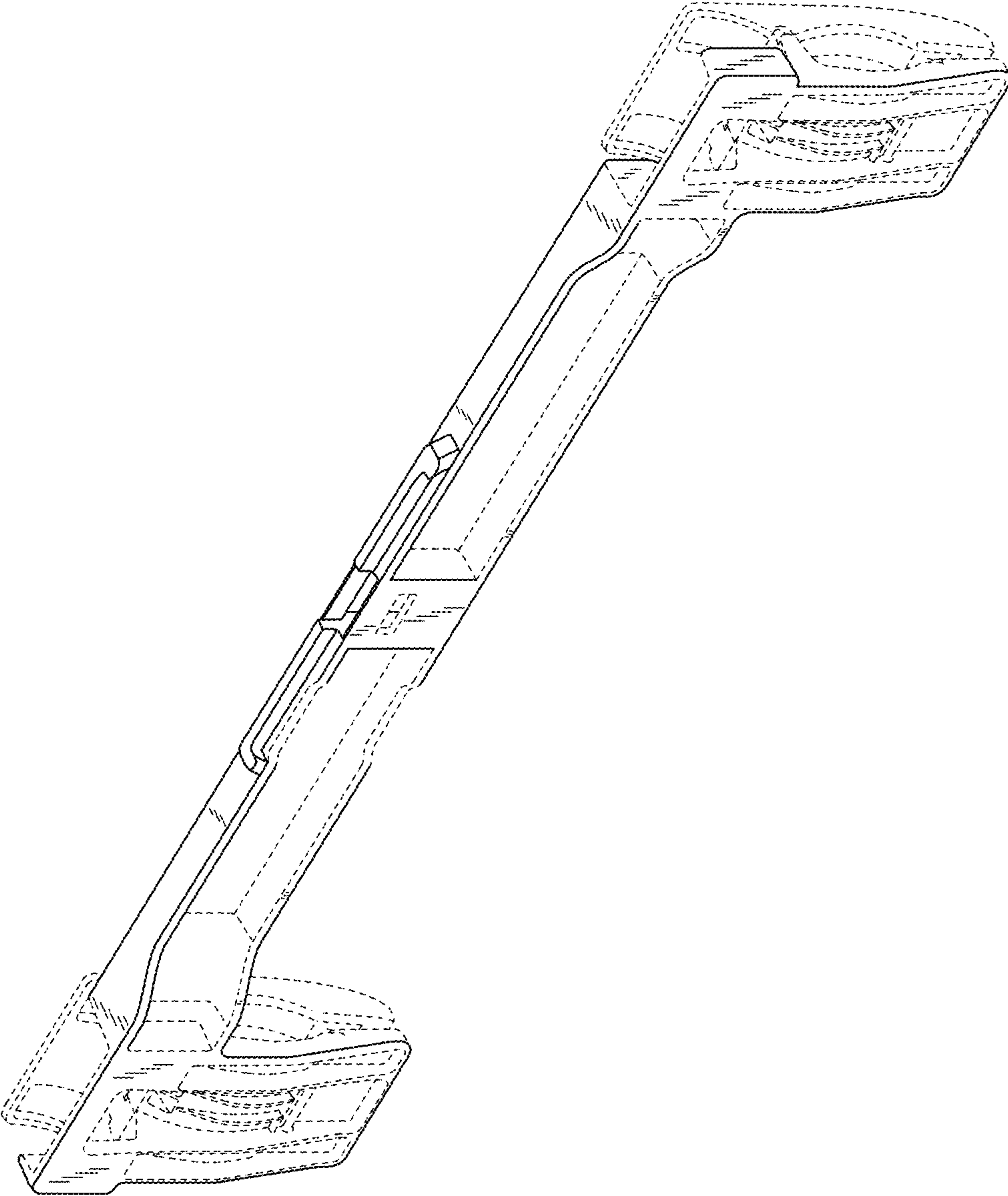


FIG. 2

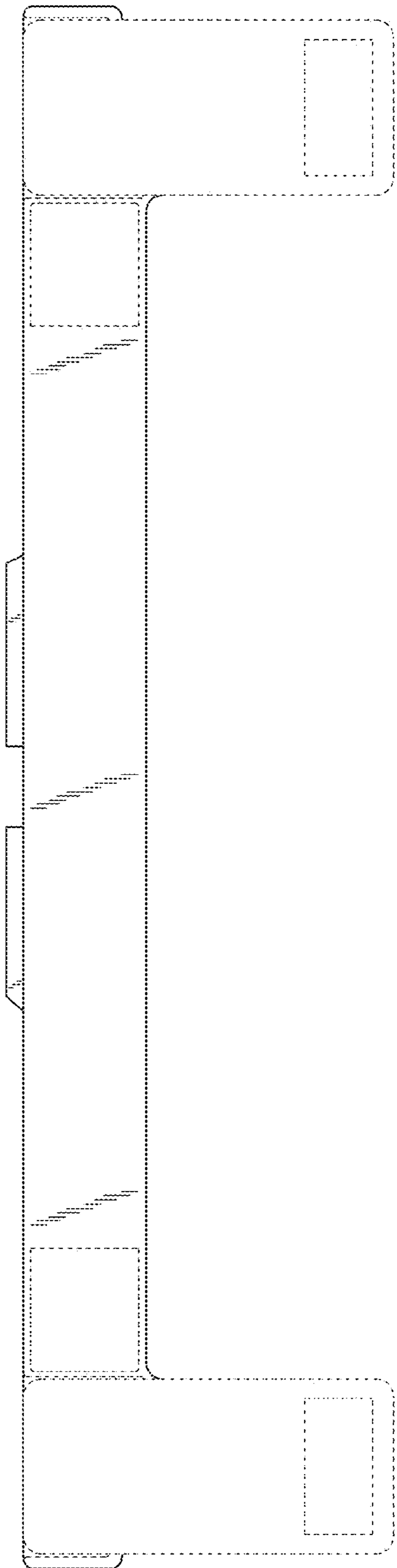


FIG. 3

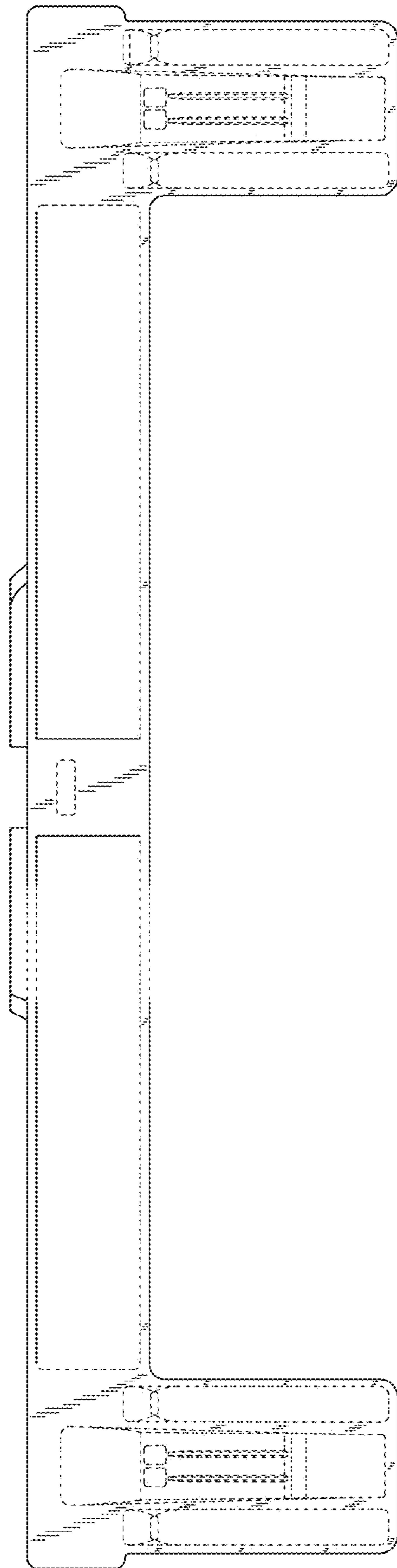


FIG. 4

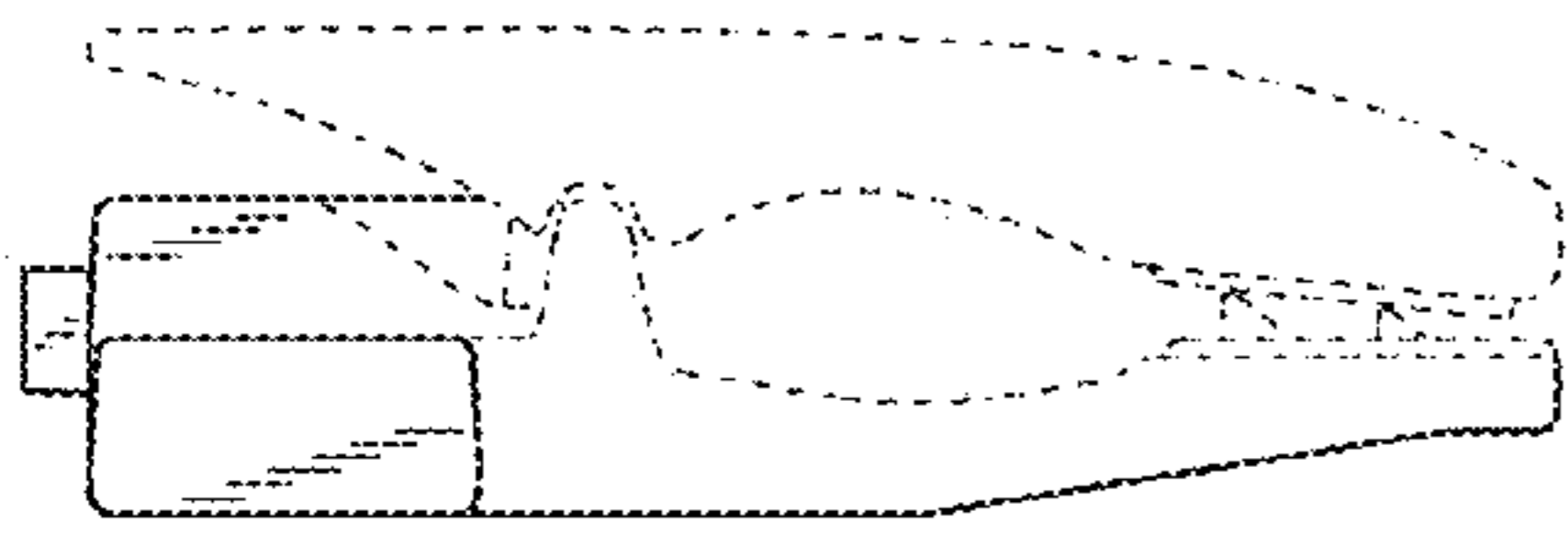


FIG. 5

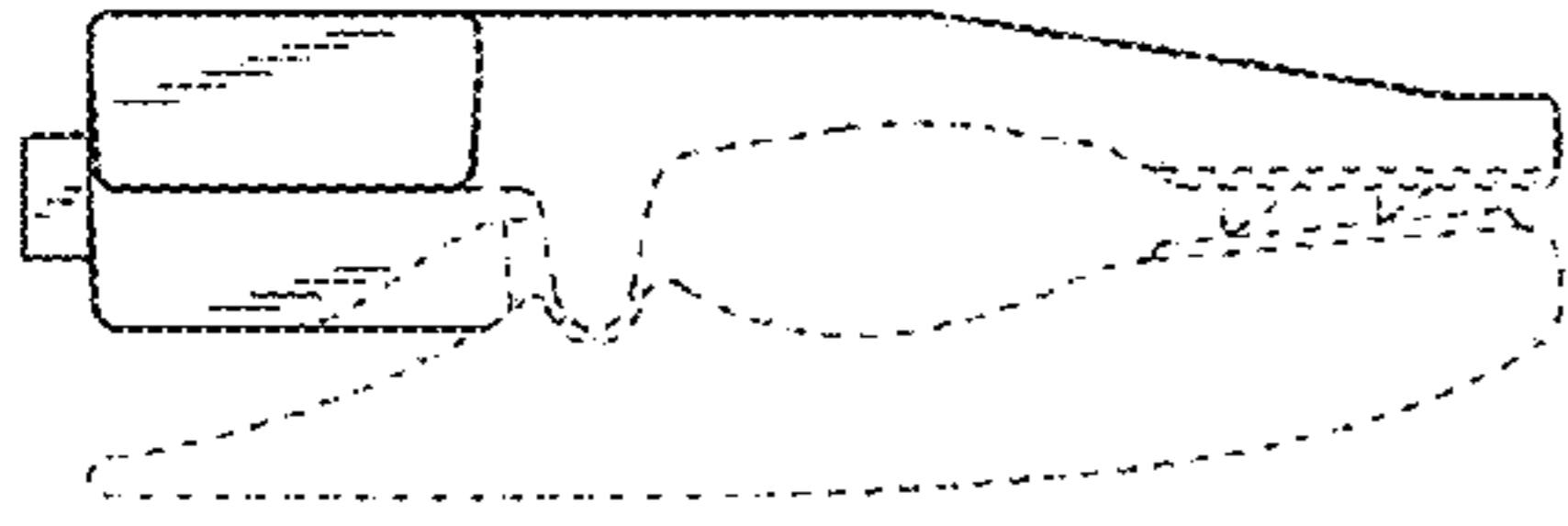


FIG. 6

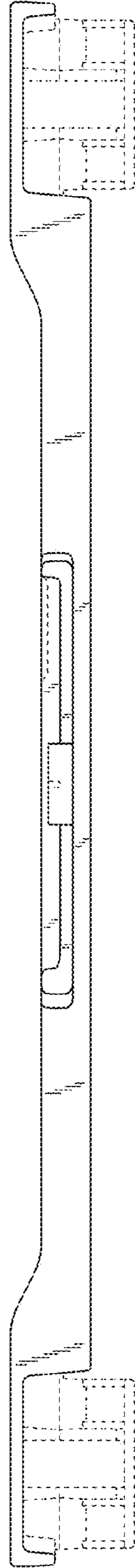


FIG. 7

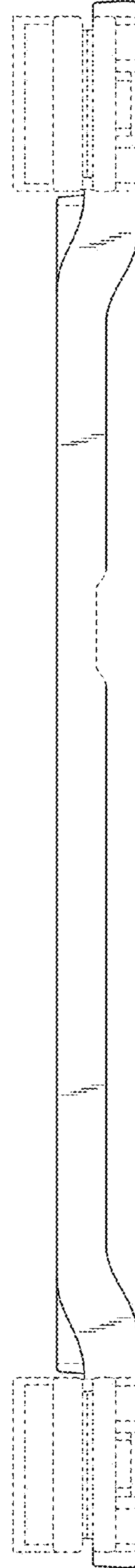


FIG. 8