



US00D882968S

(12) **United States Design Patent**
Avendano

(10) **Patent No.:** **US D882,968 S**

(45) **Date of Patent:** **** May 5, 2020**

- (54) **HAT SUPPORTING BRACKET**
- (71) Applicant: **Hector Avendano**, Morgan Hill, CA (US)
- (72) Inventor: **Hector Avendano**, Morgan Hill, CA (US)
- (**) Term: **15 Years**
- (21) Appl. No.: **29/680,974**
- (22) Filed: **Feb. 21, 2019**
- (51) **LOC (12) Cl.** **06-08**
- (52) **U.S. Cl.**
USPC **D6/320**
- (58) **Field of Classification Search**
USPC D6/315, 317, 318, 319, 320, 323, 324, D6/325, 326, 327, 512, 513, 552, 553, D6/556, 566, 567, 572; D8/367, 380, D8/381
CPC A47G 25/10; A47G 25/403; A47G 25/005; A47G 25/74
See application file for complete search history.

| | | | | |
|-------------------|--------|------------|-------|-------------------------|
| D408,637 S * | 4/1999 | Sparks | | D6/320 |
| 5,921,403 A | 7/1999 | Coffraro | | |
| 6,293,413 B1 * | 9/2001 | Patton | | A47G 25/10 211/181.1 |
| 6,422,401 B1 | 7/2002 | Roten | | |
| D462,254 S * | 9/2002 | Wright | | B65H 75/366 D8/356 |
| 6,454,105 B1 * | 9/2002 | Medina | | A63B 71/0045 211/14 |
| 6,840,411 B2 | 1/2005 | Fritz | | |
| 7,665,616 B1 * | 2/2010 | Hobbie | | A47F 7/06 211/31 |
| D798,131 S * | 9/2017 | Agneessens | | D8/373 |
| D845,653 S * | 4/2019 | Wu | | D6/320 |
| 10,264,896 B2 * | 4/2019 | Petner | | A47F 7/06 |
| 2020/0046153 A1 * | 2/2020 | Fotino | | A47G 25/10 |

* cited by examiner

Primary Examiner — Lauren R Calve

(57) **CLAIM**

The ornamental design for a hat supporting bracket, as shown and described.

DESCRIPTION

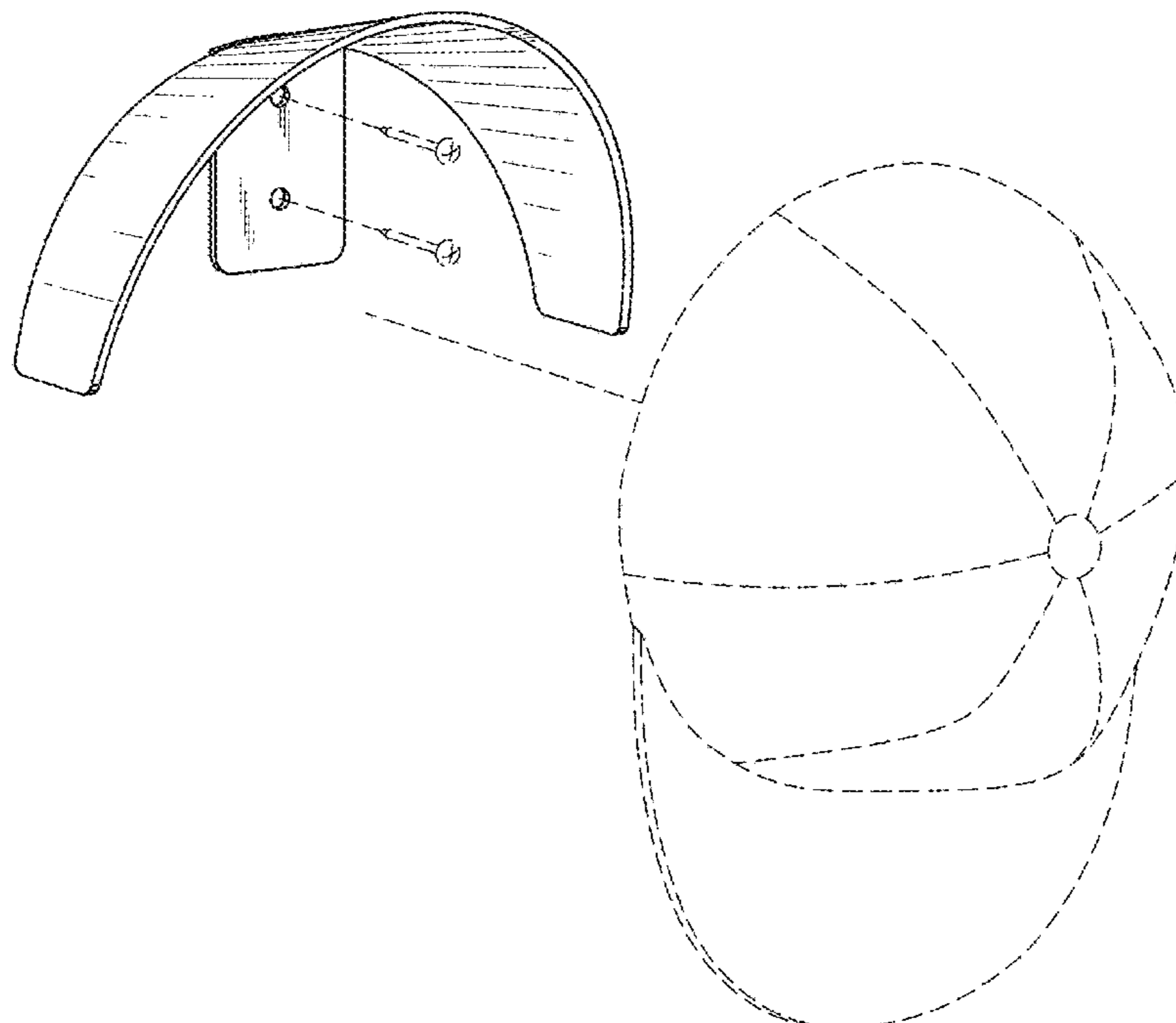
FIG. 1 is a front view of a hat supporting bracket showing my new design;
 FIG. 2 is a rear view of the hat supporting bracket;
 FIG. 3 is a right side view of the hat supporting bracket;
 FIG. 4 is a left side view of the hat supporting bracket;
 FIG. 5 is a top view of the hat supporting bracket;
 FIG. 6 is a bottom view of the hat supporting bracket; and,
 FIG. 7 is a top front side perspective view of the hat supporting bracket.
 The broken lines in FIG. 7 are illustrative of environmental structures forming no part of the claimed design.

1 Claim, 4 Drawing Sheets

(56) **References Cited**

U.S. PATENT DOCUMENTS

| | | | | |
|---------------|--------|----------|-------|----------------------|
| 650,998 A | 6/1900 | Tripp | | |
| 2,761,644 A | 9/1956 | Capocci | | |
| D184,994 S * | 4/1959 | Frohman | | D8/356 |
| 5,002,190 A | 3/1991 | Moreland | | |
| 5,086,931 A * | 2/1992 | Cobb | | A47F 7/06 211/32 |
| 5,240,123 A | 8/1993 | Hawk | | |
| 5,244,102 A | 9/1993 | Koenig | | |
| 5,480,073 A * | 1/1996 | LaManna | | A47F 7/06 206/303 |



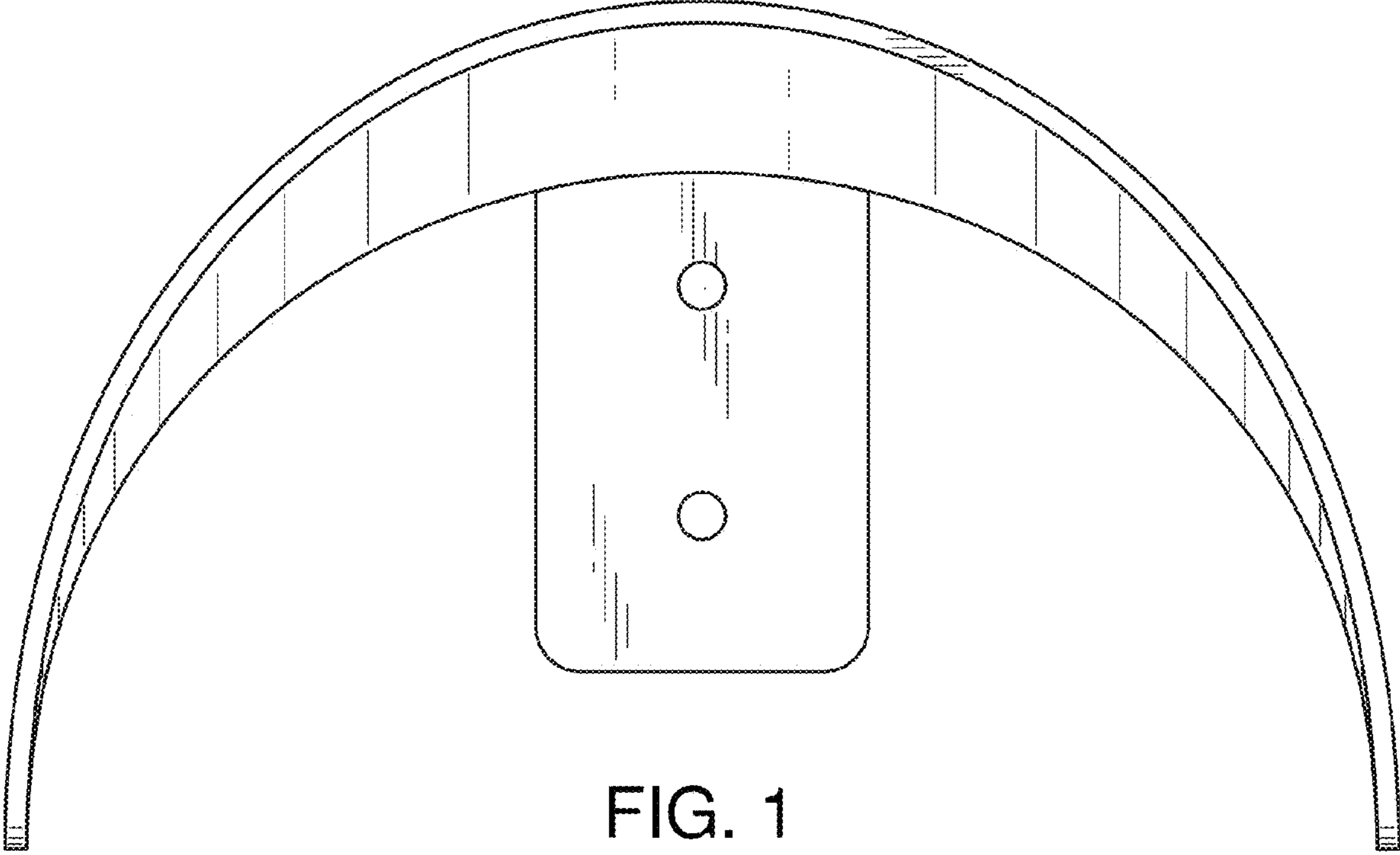


FIG. 1

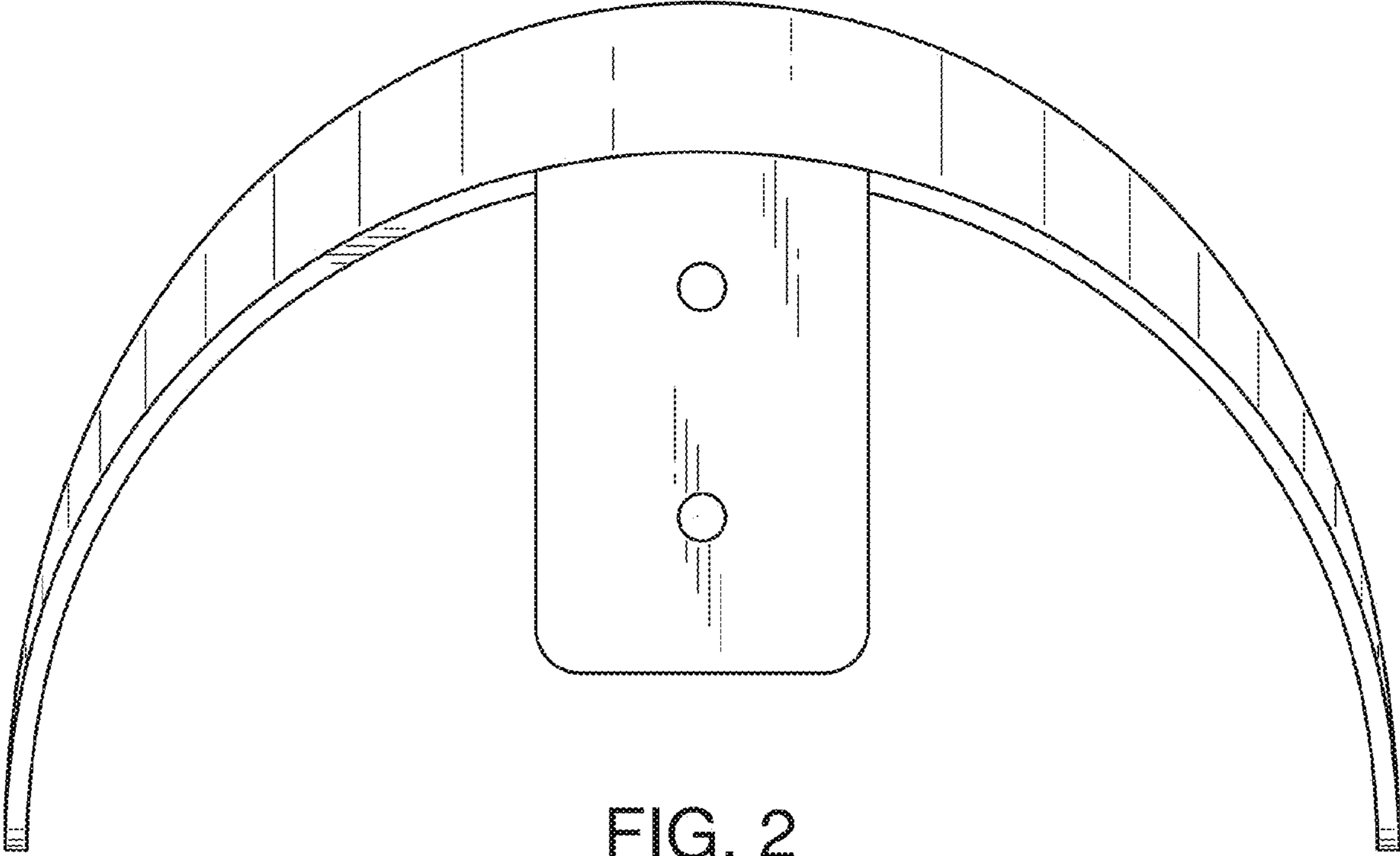


FIG. 2

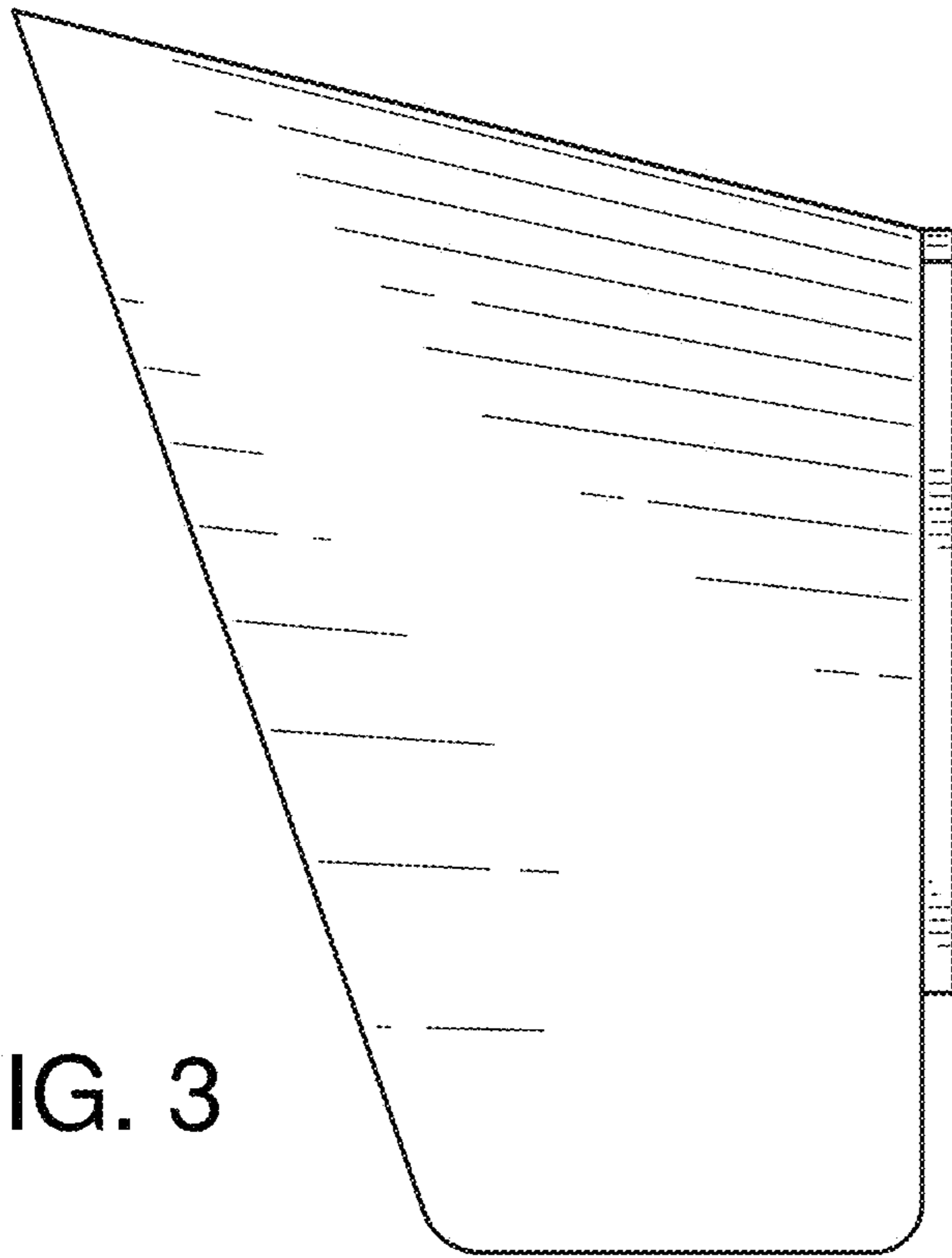


FIG. 3

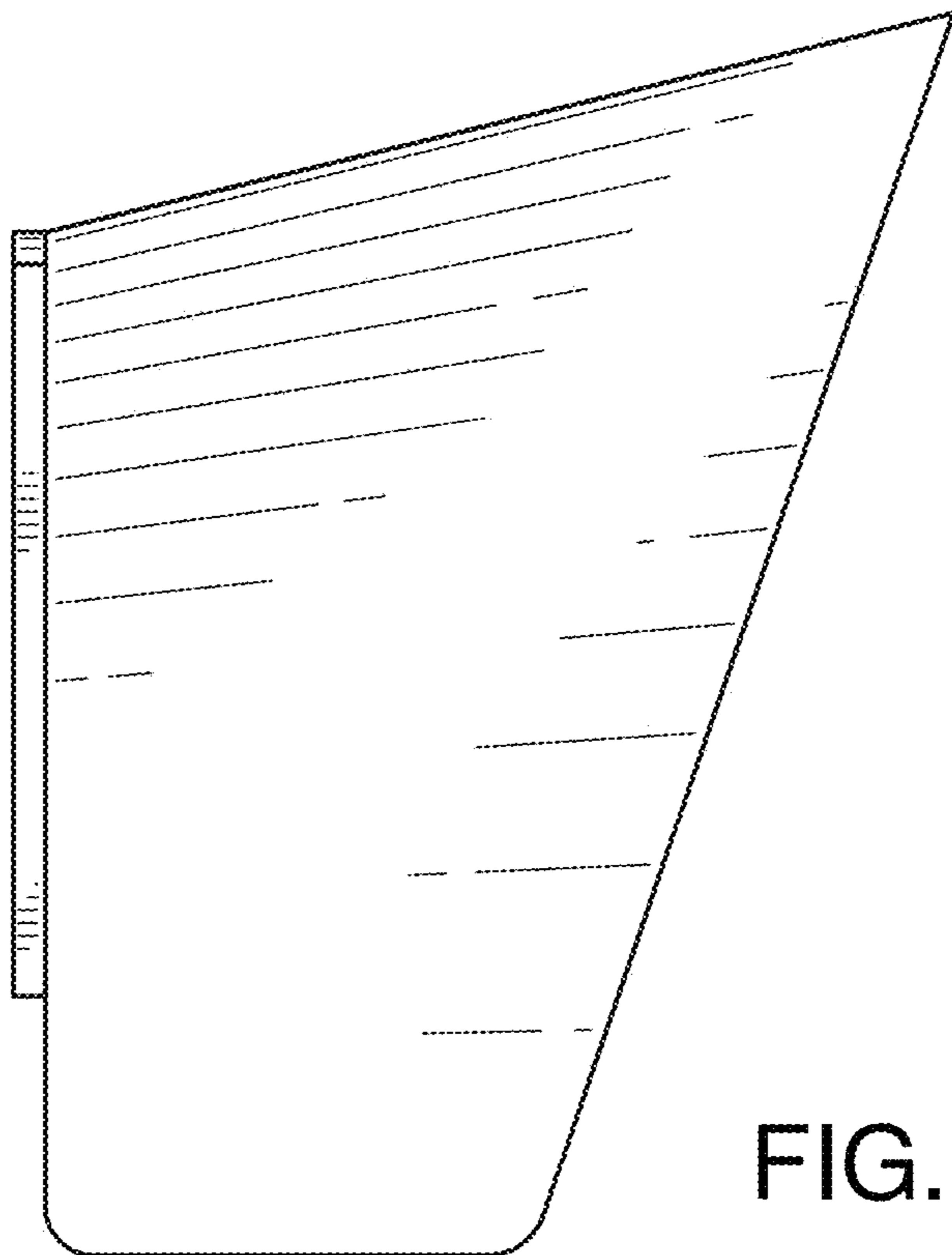


FIG. 4

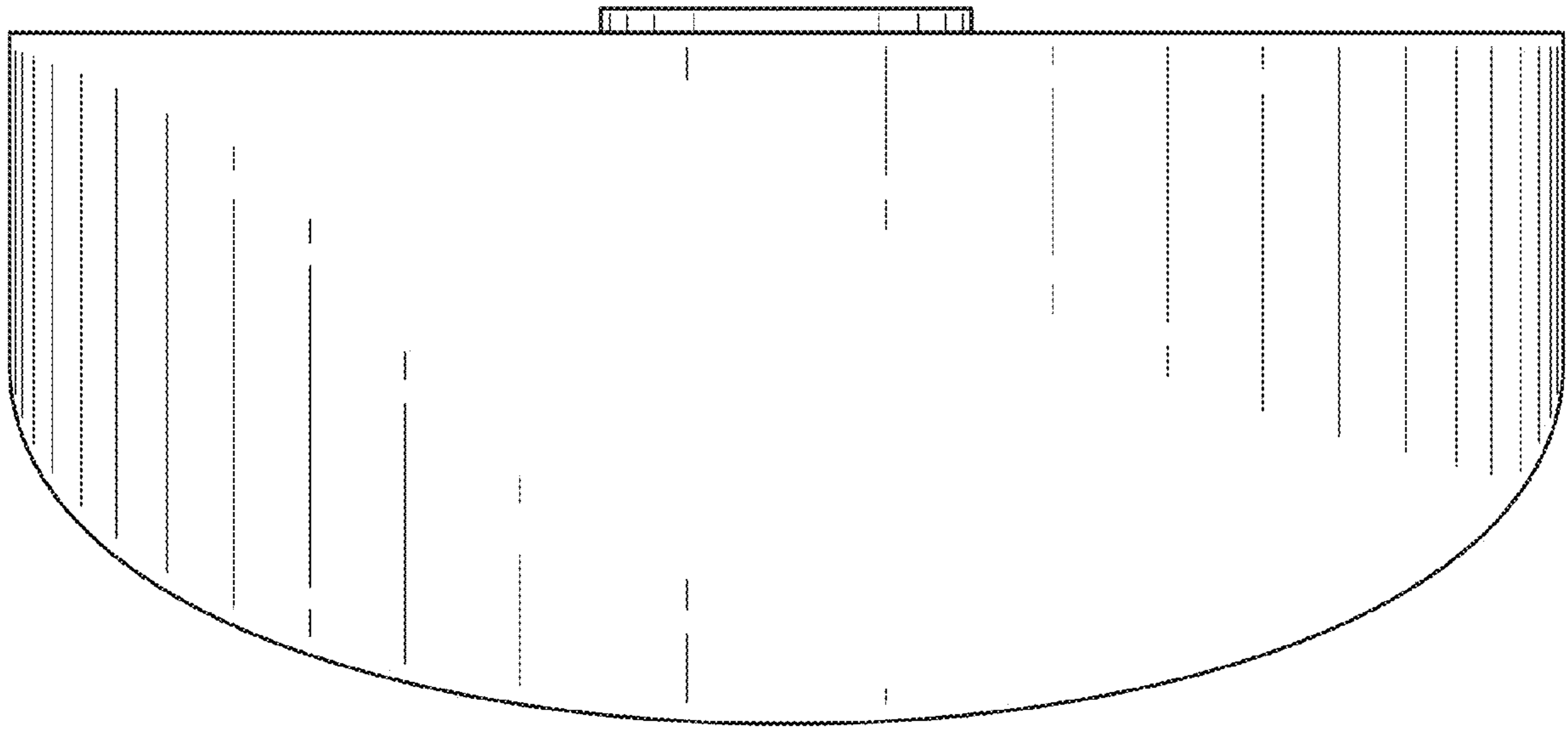


FIG. 5

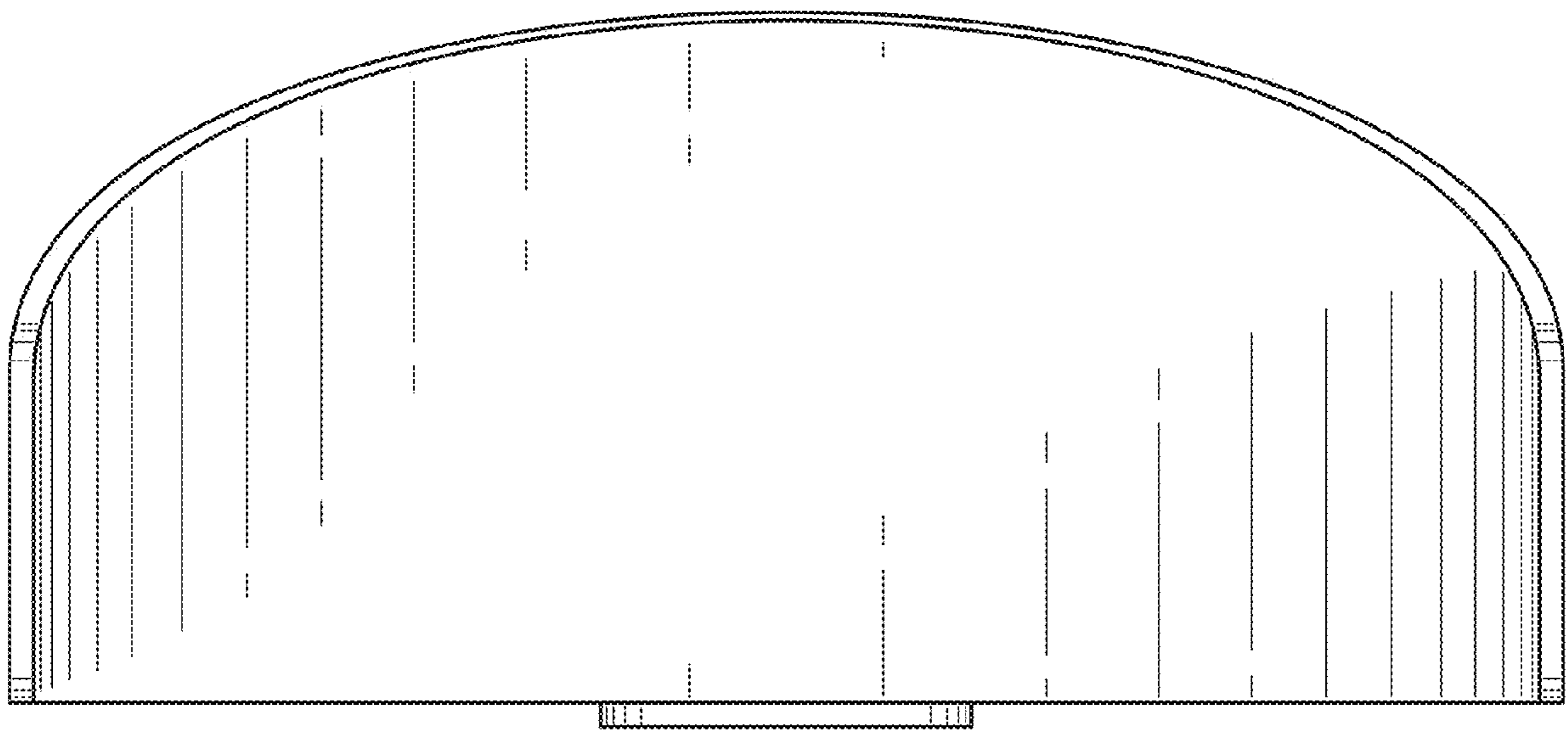


FIG. 6

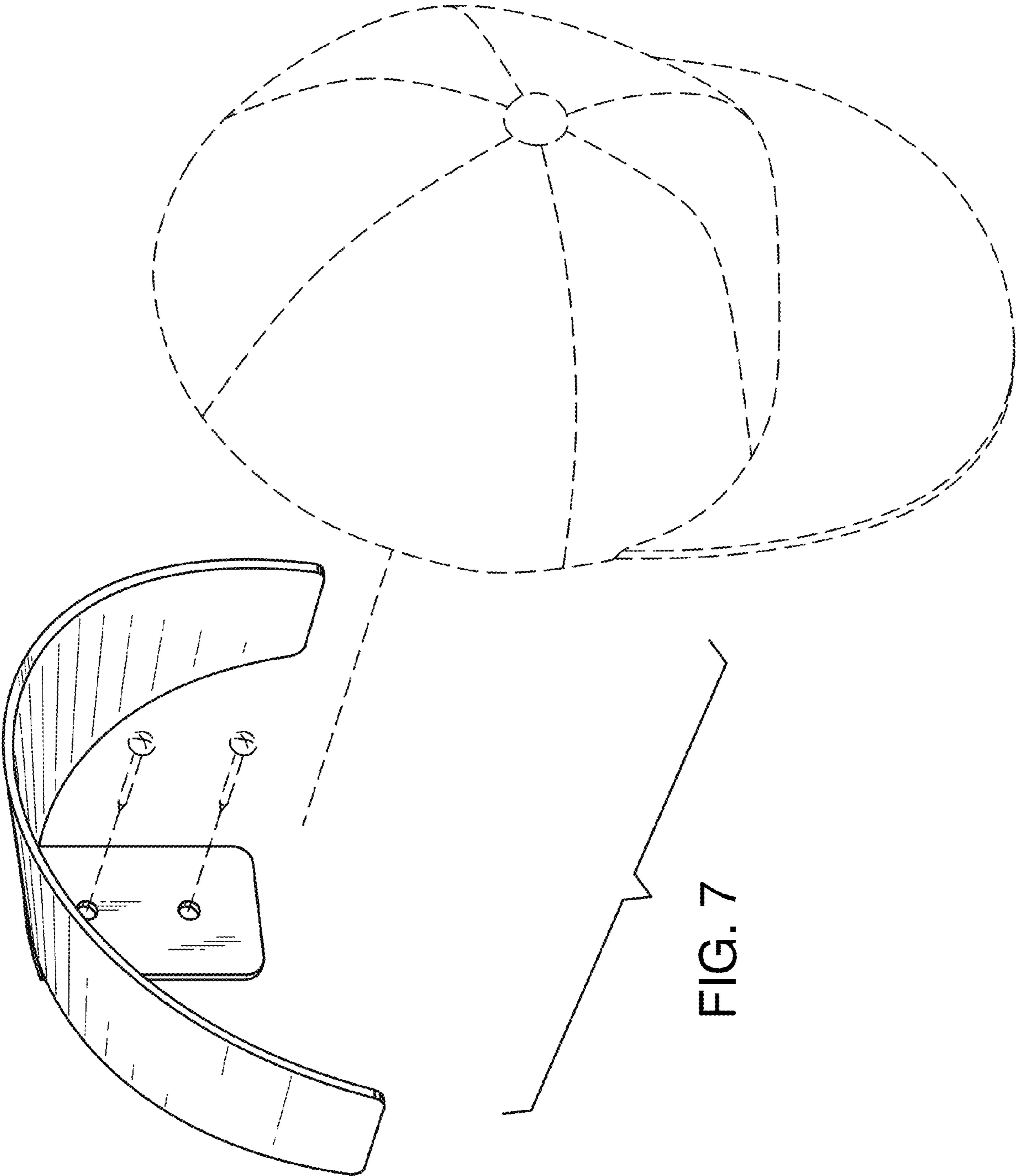


FIG. 7