



US00D882967S

(12) **United States Design Patent**
Jiang

(10) **Patent No.:** **US D882,967 S**

(45) **Date of Patent:** **** May 5, 2020**

- (54) **DIGITAL PHOTO FRAME**
- (71) Applicant: **Zini Jiang**, Shenzhen (CN)
- (72) Inventor: **Zini Jiang**, Shenzhen (CN)
- (73) Assignee: **SHENZHEN YOUYIDA DIGITAL CO., LTD.**, Shenzhen (CN)
- (**) Term: **15 Years**
- (21) Appl. No.: **29/667,991**
- (22) Filed: **Oct. 26, 2018**
- (51) **LOC (12) Cl.** **06-06**
- (52) **U.S. Cl.**
USPC **D6/308; D14/371**
- (58) **Field of Classification Search**
USPC D6/300-314; D10/15, 21, 24; D14/336,
D14/371, 374, 375
CPC G09G 2380/16
See application file for complete search history.

(56) **References Cited**

U.S. PATENT DOCUMENTS

D560,369 S *	1/2008	Chiang	D14/374
D560,371 S *	1/2008	Liu	D6/300
D570,610 S *	6/2008	Chuang	D14/371
D572,023 S *	7/2008	Park	D14/371
D572,025 S *	7/2008	Kwon	D14/371
D583,572 S *	12/2008	Zhai	D14/371
D601,814 S *	10/2009	Lissola	D6/308
D602,259 S *	10/2009	Finnegan	D14/371
D604,515 S *	11/2009	Tang	D6/308
D609,018 S *	2/2010	Tzeng	D14/371
D609,019 S *	2/2010	Zhang	D14/371
D610,355 S *	2/2010	Chigira	D14/374
D613,510 S *	4/2010	Tzeng	D14/371
D618,463 S *	6/2010	Nagase	D6/300
D622,514 S *	8/2010	Park	D6/308

D626,343 S *	11/2010	Lee	D14/371
D629,216 S *	12/2010	Stoddard	D6/308
D634,131 S *	3/2011	Utsunomiya	D6/308
D634,320 S *	3/2011	Bliven	D14/336
D635,784 S *	4/2011	Li	D6/308
D637,822 S *	5/2011	Utsunomiya	D6/308
D642,385 S *	8/2011	Lee	D6/308
D666,423 S *	9/2012	Liu	D6/308
D834,428 S *	11/2018	Jiang	D10/3
D834,429 S *	11/2018	Jiang	D10/3
D862,250 S *	10/2019	Xie	D10/24

* cited by examiner

Primary Examiner — Deanna L Pratt

(74) *Attorney, Agent, or Firm* — Law Offices of Steven W. Weinrieb

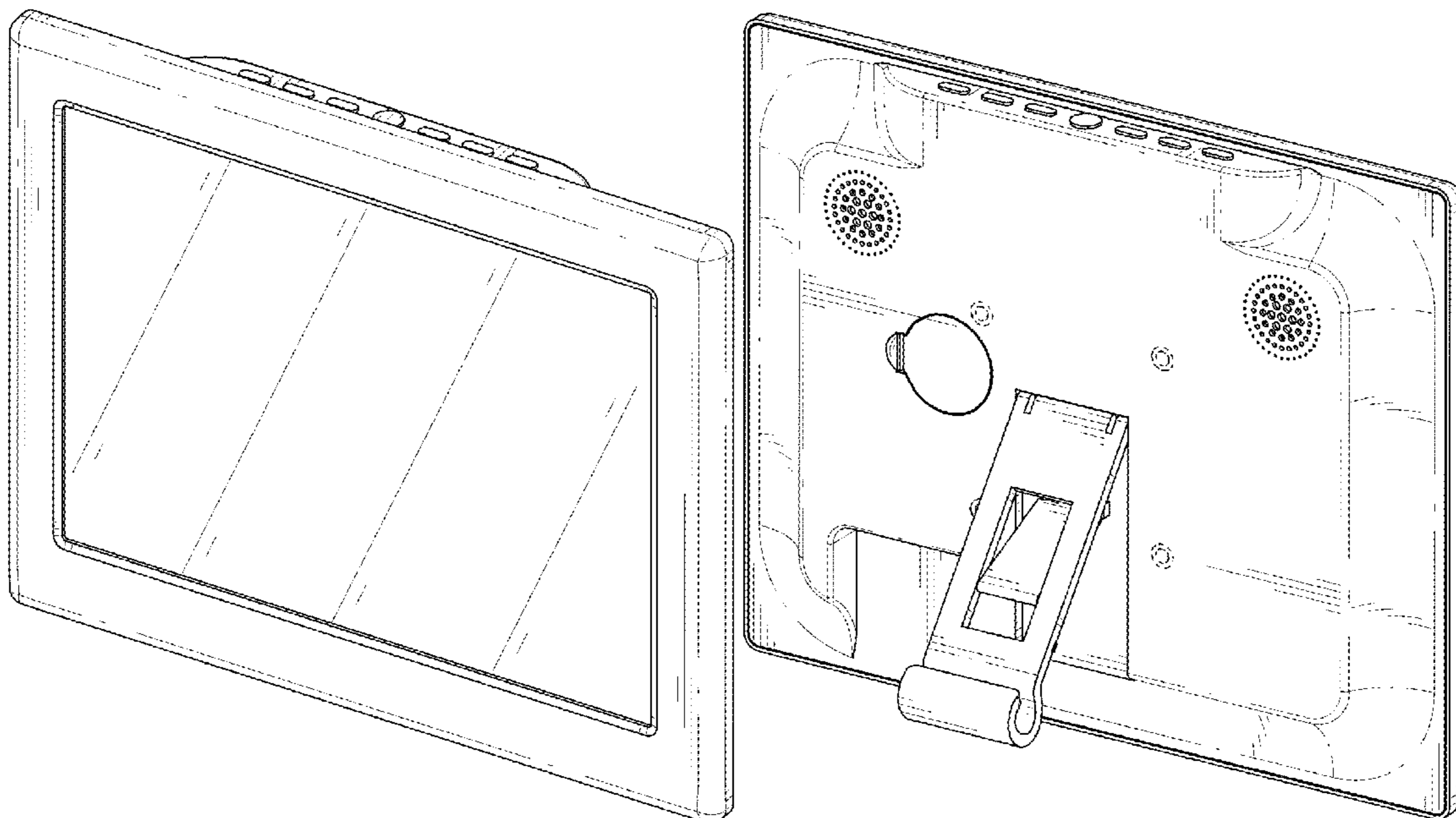
(57) **CLAIM**

The ornamental design for a digital photo frame, as shown and described.

DESCRIPTION

FIG. 1 is a front, right side top perspective view of the digital photo frame showing my new design;
 FIG. 2 is a rear, right side, top perspective view thereof;
 FIG. 3 is a front elevational view thereof;
 FIG. 4 is a rear elevational view thereof;
 FIG. 5 is a left side elevational view thereof;
 FIG. 6 is a right side elevational view thereof;
 FIG. 7 is a top plan view thereof;
 FIG. 8 is a bottom plan view thereof; and,
 FIG. 9 is a rear, right side, top perspective view thereof with the digital photo frame disposed in an operative position.
 The broken lines immediately adjacent to the claimed portions are boundaries, all other broken lines are environmental structures; all the broken lines form no part of the claimed design.

1 Claim, 9 Drawing Sheets



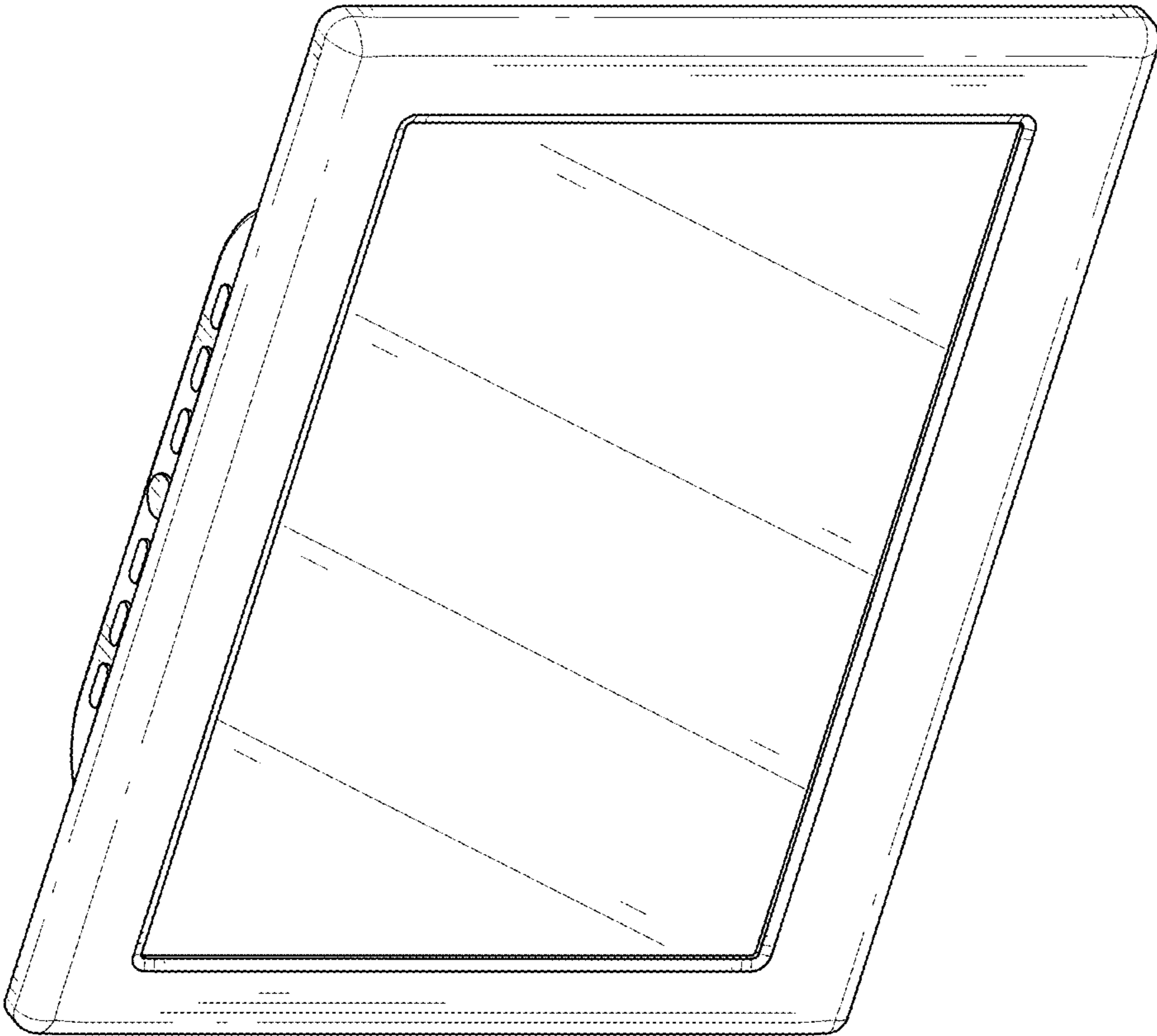


FIG. 1

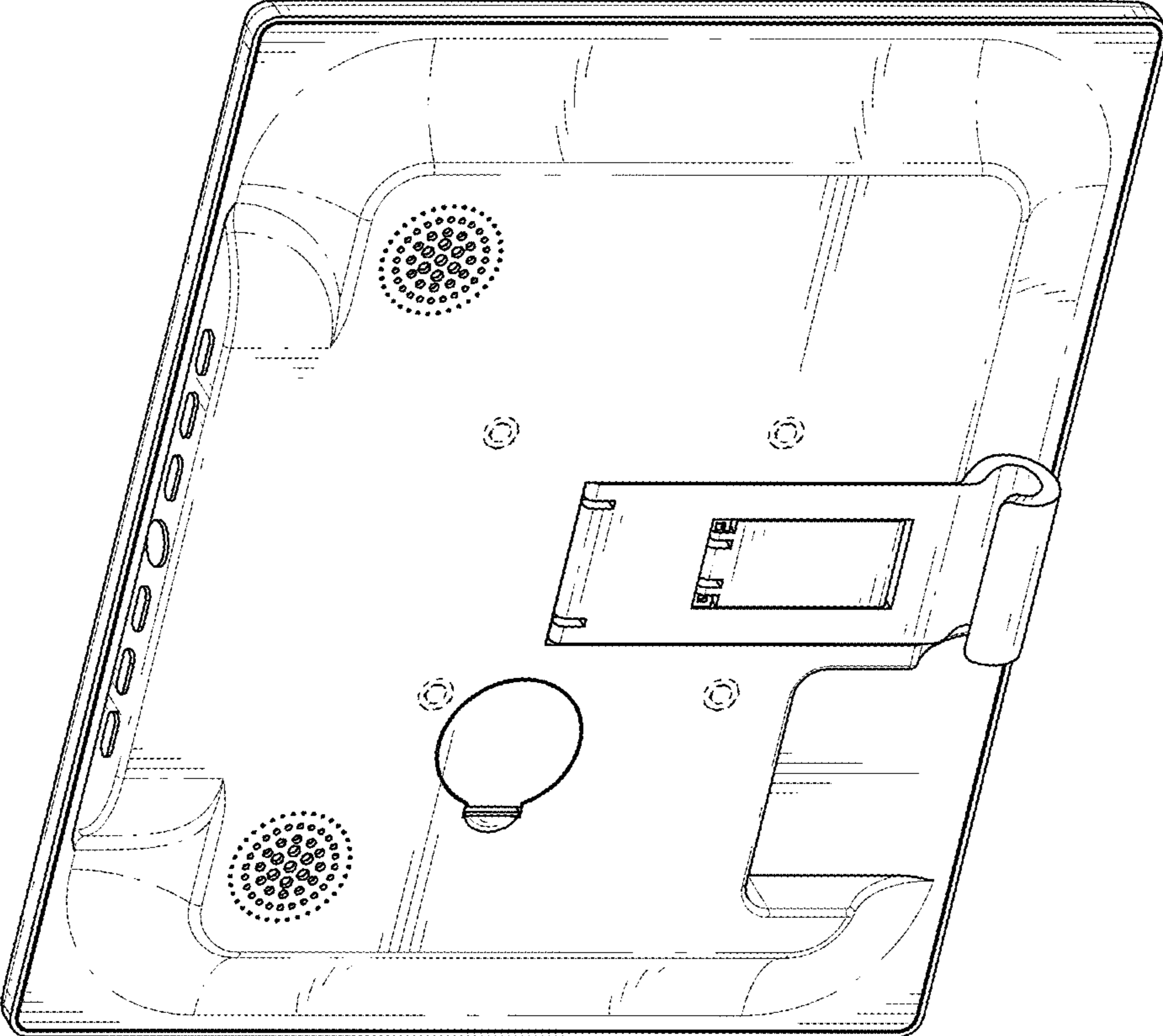


FIG. 2

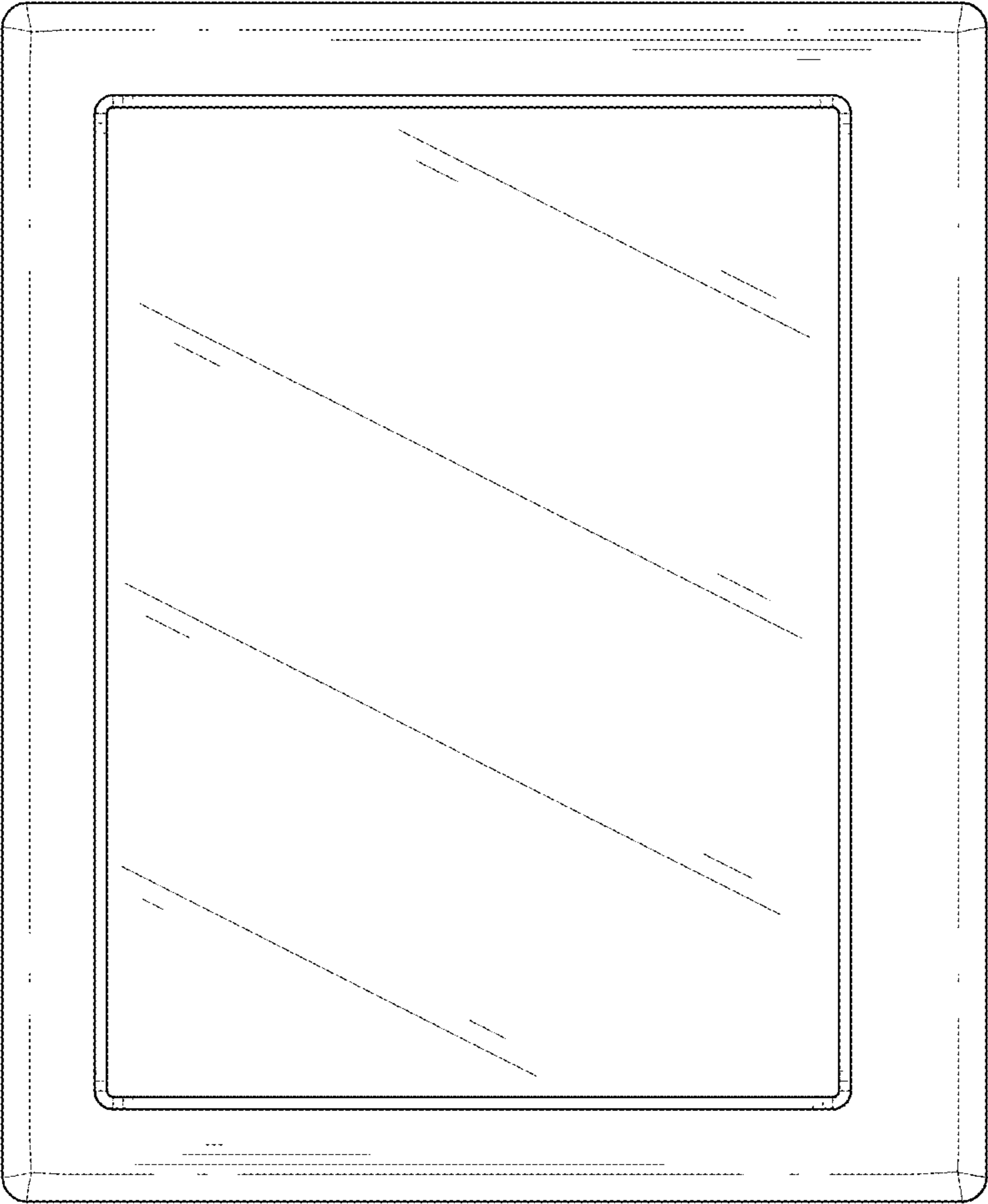


FIG. 3

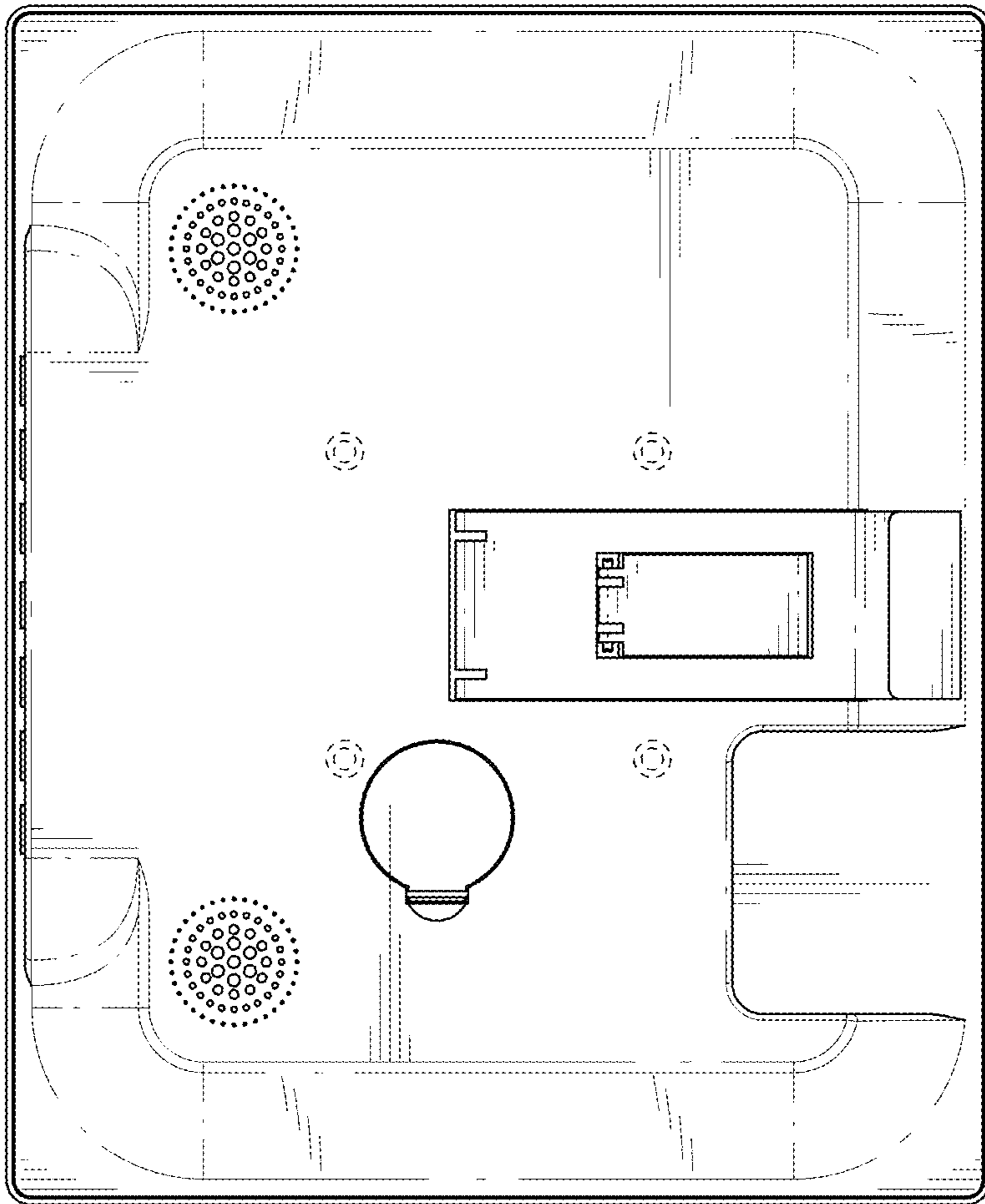


FIG. 4

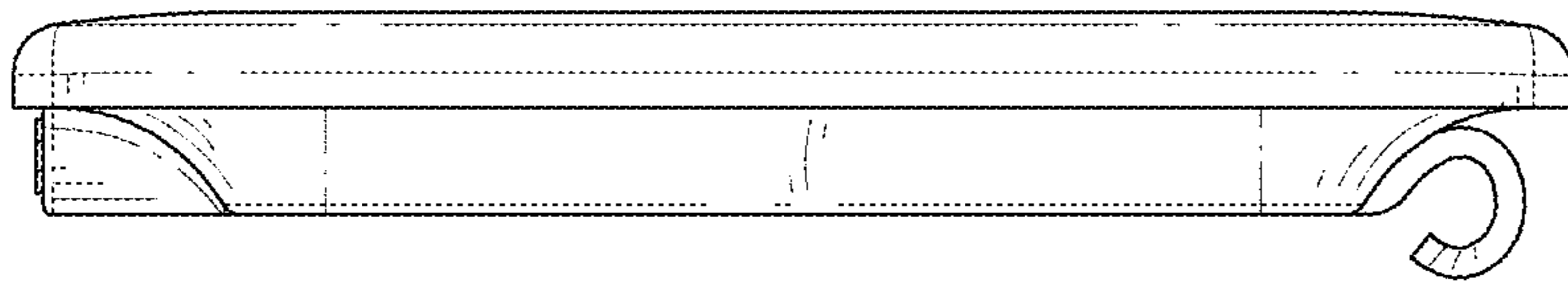


FIG. 5

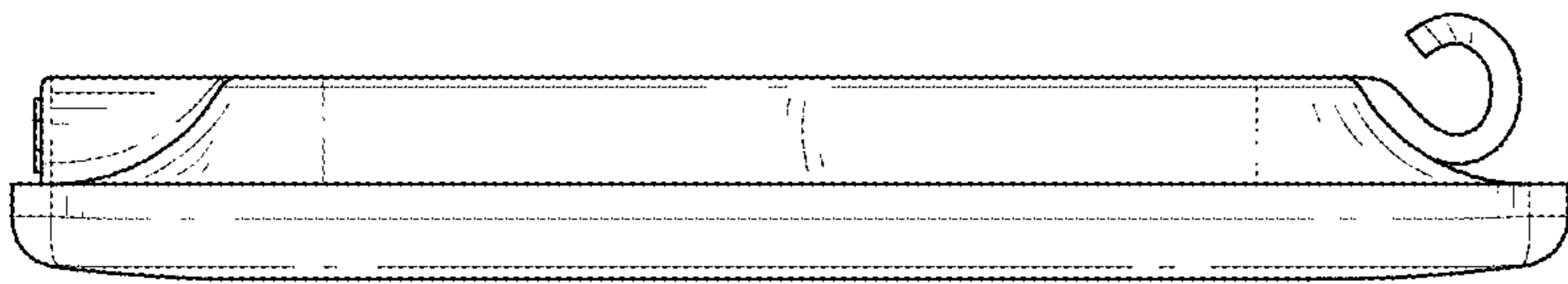


FIG. 6

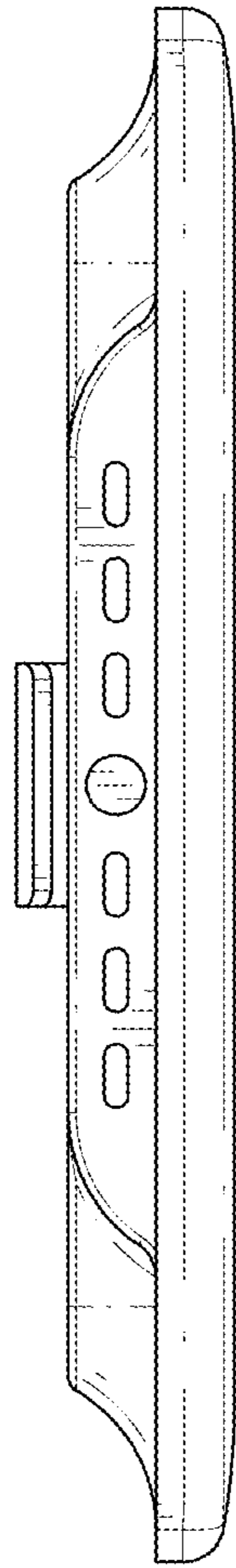


FIG. 7

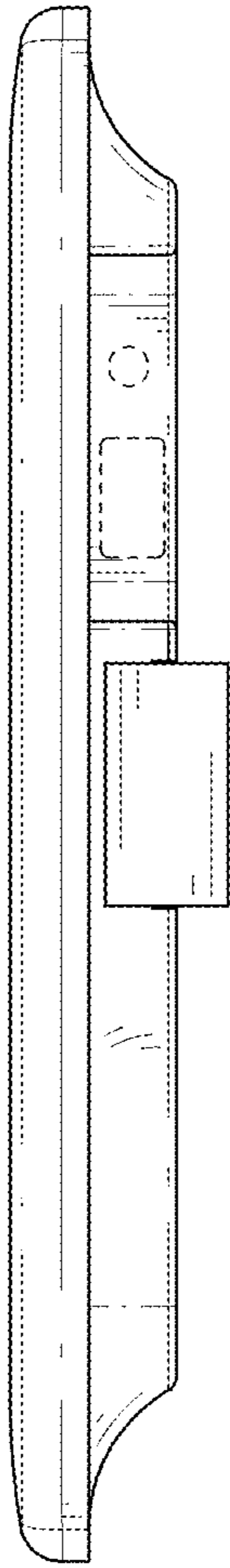


FIG. 8

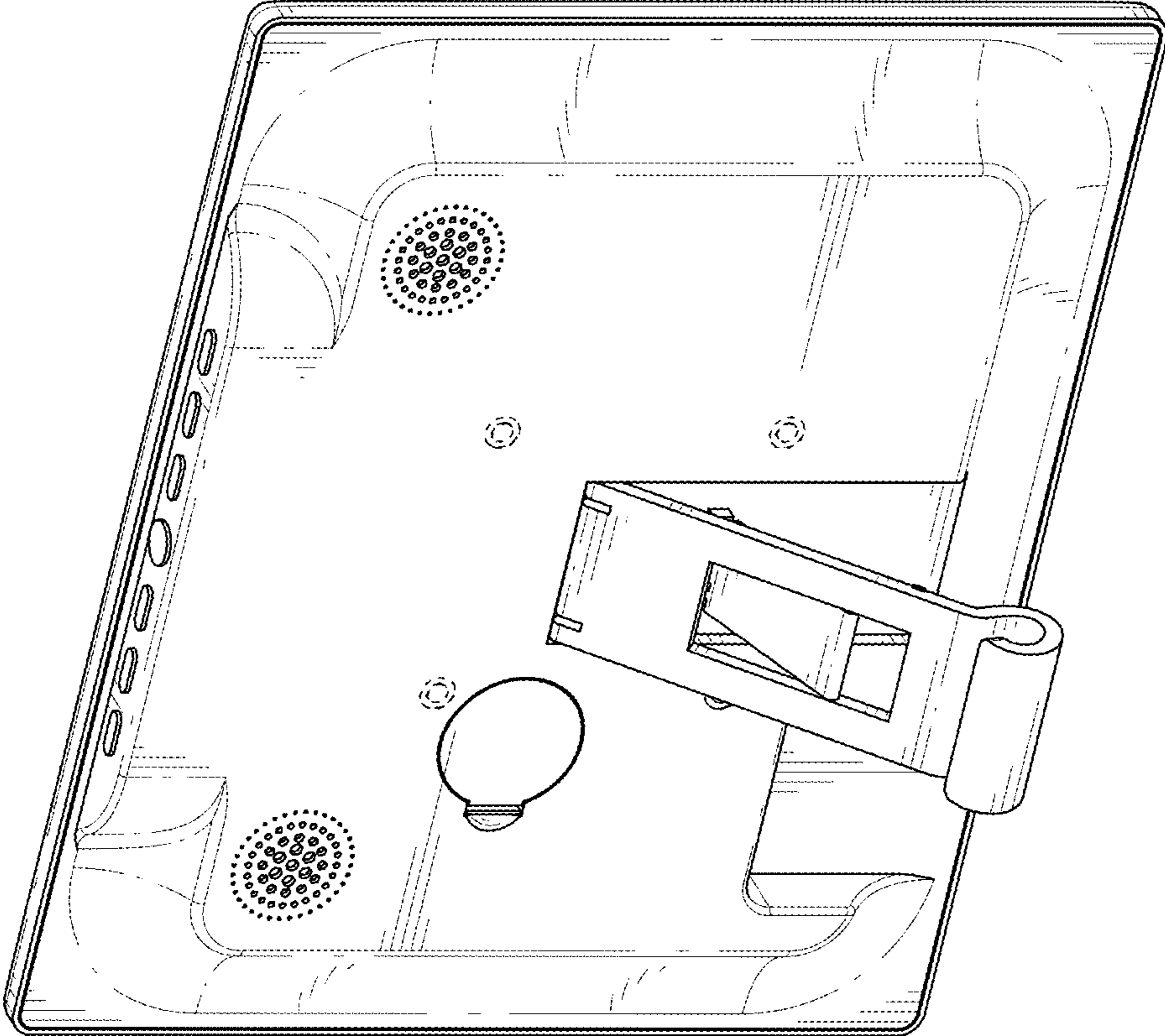


FIG. 9