



US00D882966S

(12) **United States Design Patent**  
**Jiang**

(10) **Patent No.:** **US D882,966 S**

(45) **Date of Patent:** **\*\* May 5, 2020**

(54) **DIGITAL PHOTO FRAME**

(71) Applicant: **Zini Jiang**, Hubei (CN)

(72) Inventor: **Zini Jiang**, Hubei (CN)

(\*\*) Term: **15 Years**

(21) Appl. No.: **29/627,637**

(22) Filed: **Nov. 29, 2017**

(51) **LOC (12) Cl.** ..... **06-06**

(52) **U.S. Cl.**  
USPC ..... **D6/308; D14/371**

(58) **Field of Classification Search**  
USPC ..... D6/300-314; D10/15, 21, 24; D14/336,  
D14/371, 374, 375

CPC ..... G09G 2380/16  
See application file for complete search history.

D634,131 S *	3/2011	Utsunomiya	.....	D6/308
D634,320 S *	3/2011	Bliven	.....	D14/336
D635,784 S *	4/2011	Li	.....	D6/308
D637,822 S *	5/2011	Utsunomiya	.....	D6/308
D642,385 S *	8/2011	Lee	.....	D6/308
D666,423 S *	9/2012	Liu	.....	D6/308
D834,428 S *	11/2018	Jiang	.....	D10/3
D834,429 S *	11/2018	Jiang	.....	D10/3
D862,250 S *	10/2019	Xie	.....	D10/24

\* cited by examiner

*Primary Examiner* — Deanna L Pratt

(74) *Attorney, Agent, or Firm* — Law Offices of Steven W. Weinrieb

(57) **CLAIM**

The ornamental design for a digital photo frame, as shown and described.

(56) **References Cited**

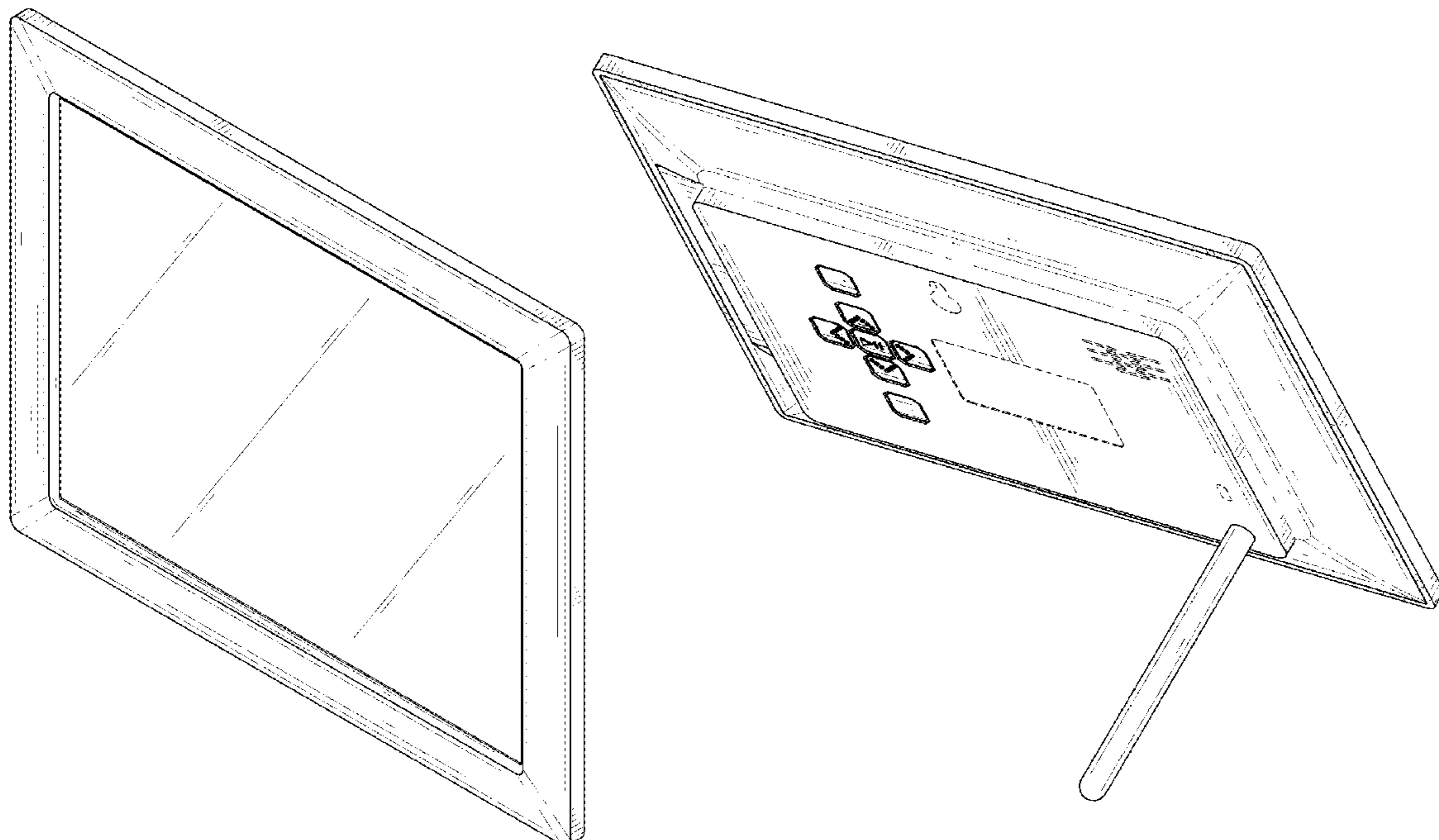
**U.S. PATENT DOCUMENTS**

D560,369 S *	1/2008	Chiang	.....	D14/374
D560,371 S *	1/2008	Liu	.....	D6/300
D570,610 S *	6/2008	Chuang	.....	D14/371
D572,023 S *	7/2008	Park	.....	D14/371
D572,025 S *	7/2008	Kwon	.....	D14/371
D583,572 S *	12/2008	Zhai	.....	D14/371
D601,814 S *	10/2009	Lissola	.....	D6/308
D602,259 S *	10/2009	Finnegan	.....	D14/371
D604,515 S *	11/2009	Tang	.....	D6/308
D609,018 S *	2/2010	Tzeng	.....	D14/371
D609,019 S *	2/2010	Zhang	.....	D14/371
D610,355 S *	2/2010	Chigira	.....	D14/374
D613,510 S *	4/2010	Tzeng	.....	D14/371
D618,463 S *	6/2010	Nagase	.....	D6/300
D622,514 S *	8/2010	Park	.....	D6/308
D626,343 S *	11/2010	Lee	.....	D14/371
D629,216 S *	12/2010	Stoddard	.....	D6/308

**DESCRIPTION**

FIG. 1 is a front right side top perspective view of the digital photo frame showing my new design;  
FIG. 2 is a rear right side top perspective view thereof;  
FIG. 3 is a front elevational view thereof;  
FIG. 4 is a rear elevational view thereof;  
FIG. 5 is a left side elevational view thereof;  
FIG. 6 is a right side elevational view thereof;  
FIG. 7 is a top plan view thereof;  
FIG. 8 is a bottom plan view thereof; and,  
FIG. 9 is a rear left side top perspective view thereof showing the use of a support rod projecting rearwardly from a rear surface portion of the digital photo frame so as to support the same in a tilted orientation for viewing.

**1 Claim, 9 Drawing Sheets**



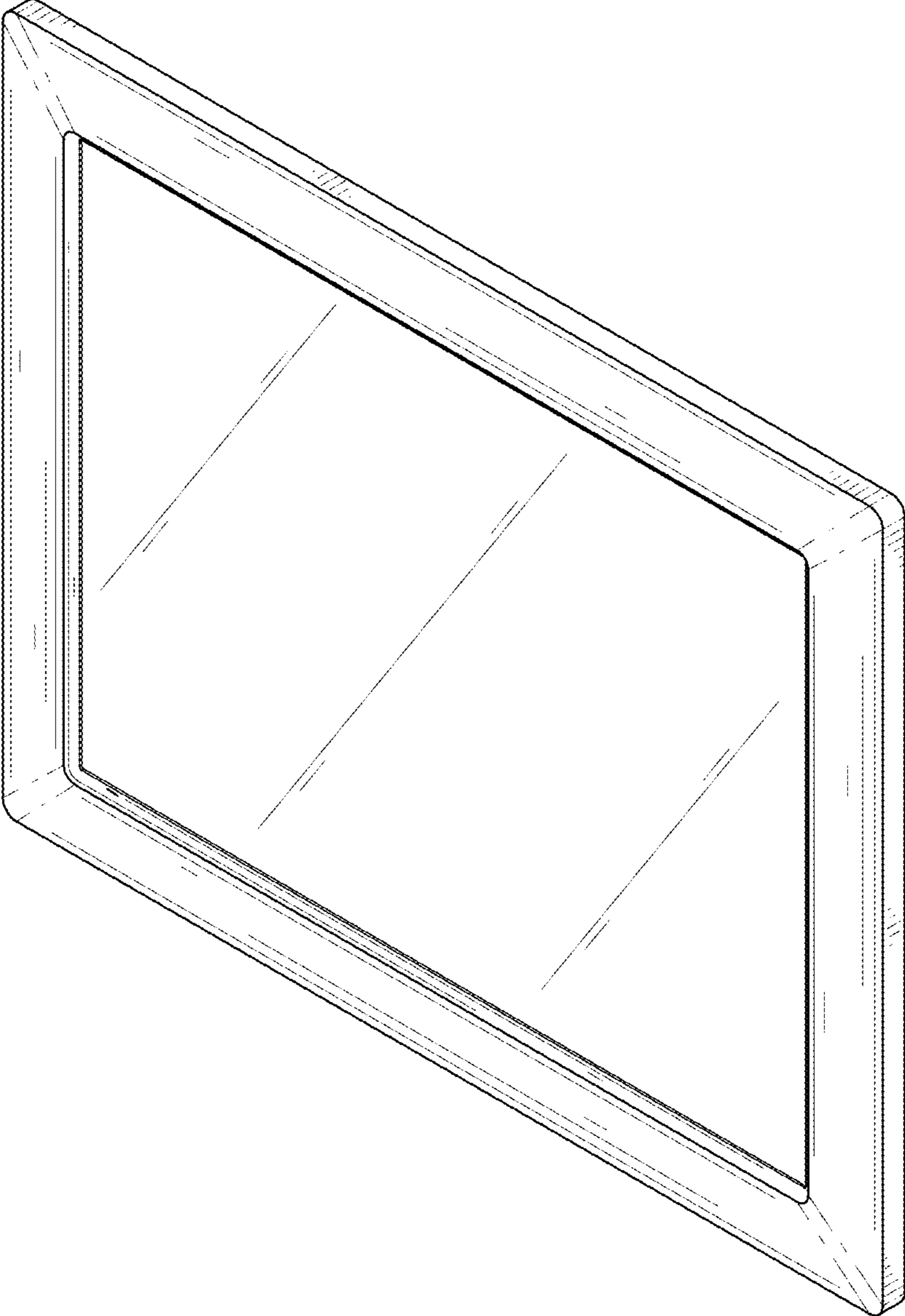


FIG. 1

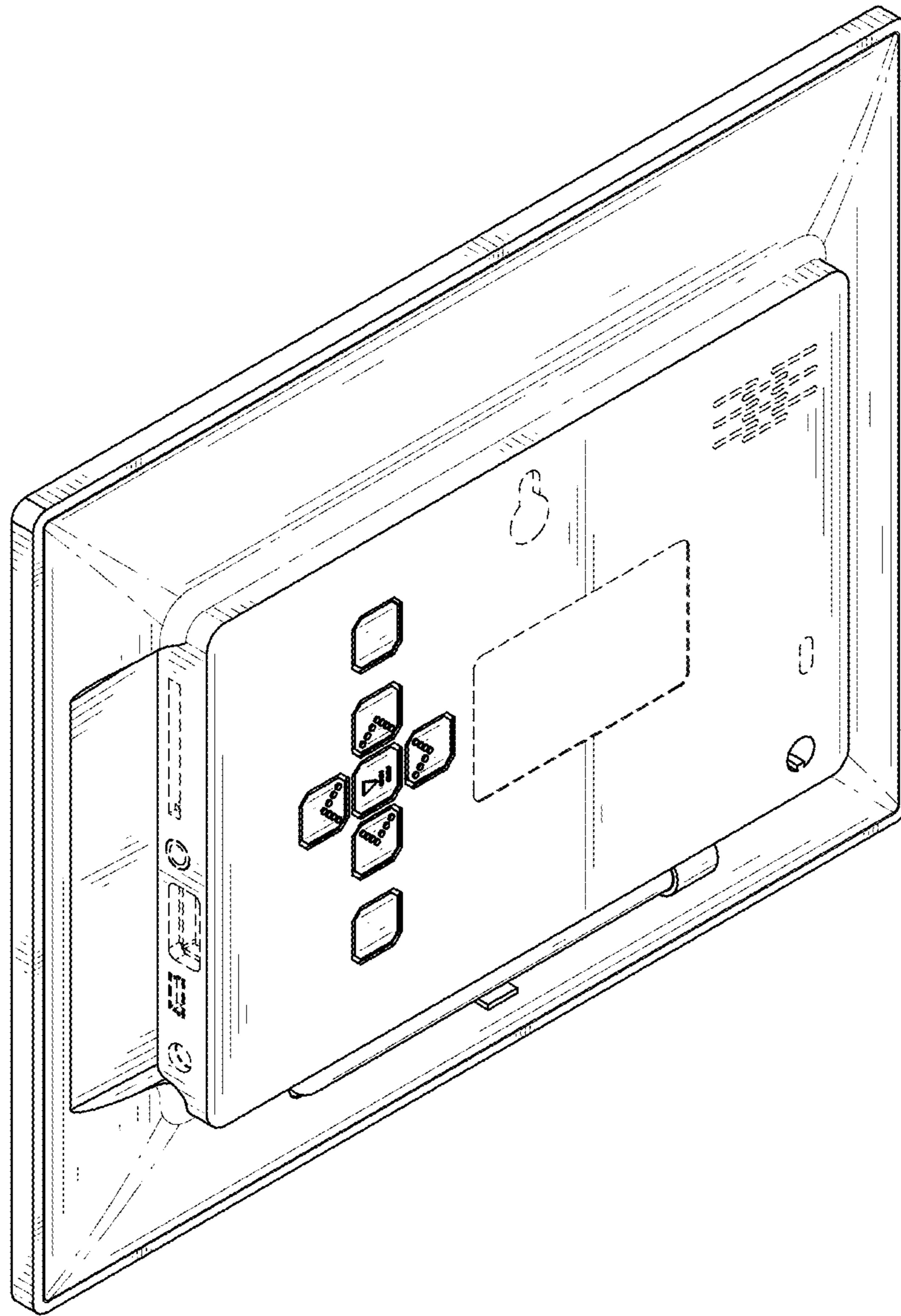


FIG. 2

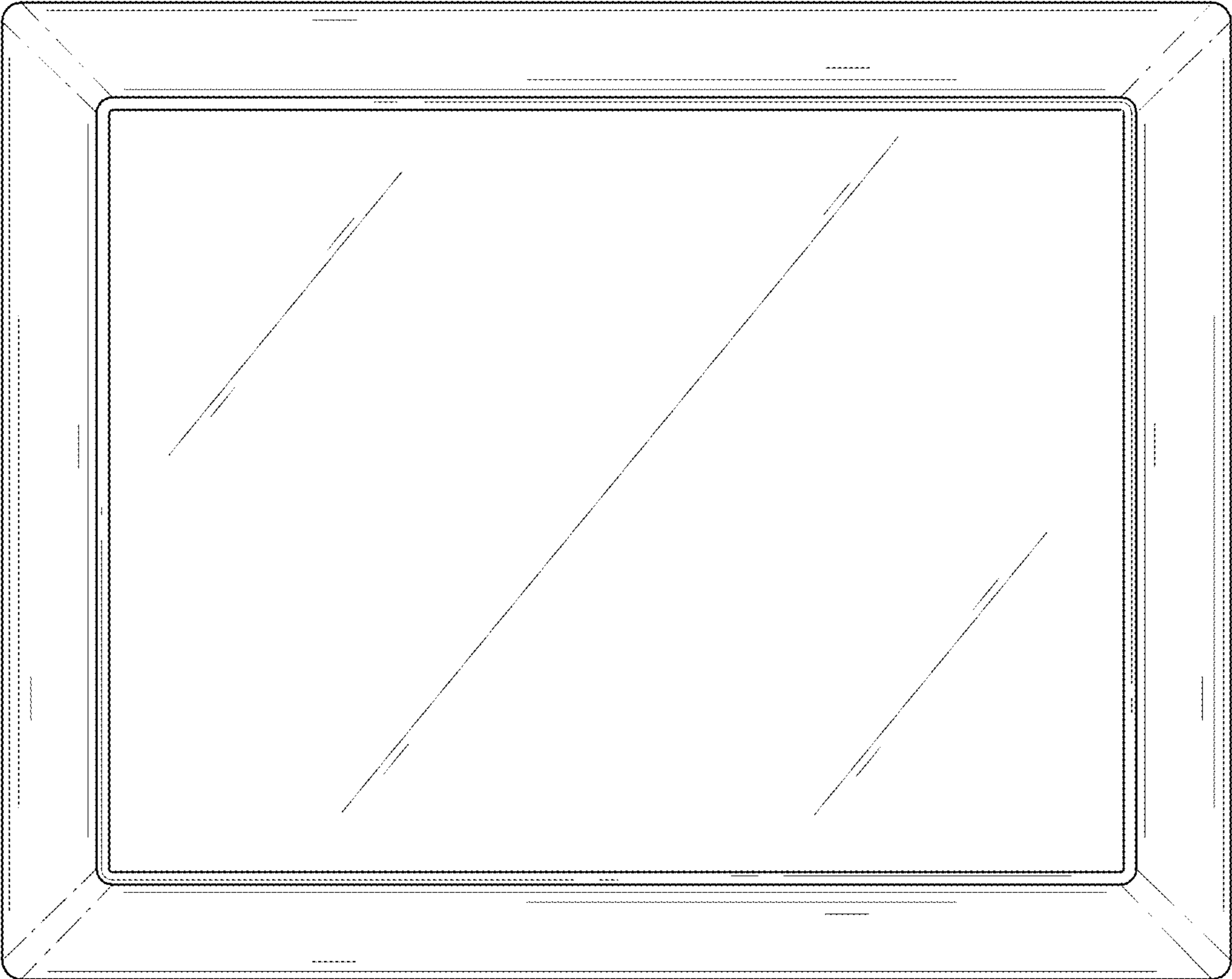


FIG. 3

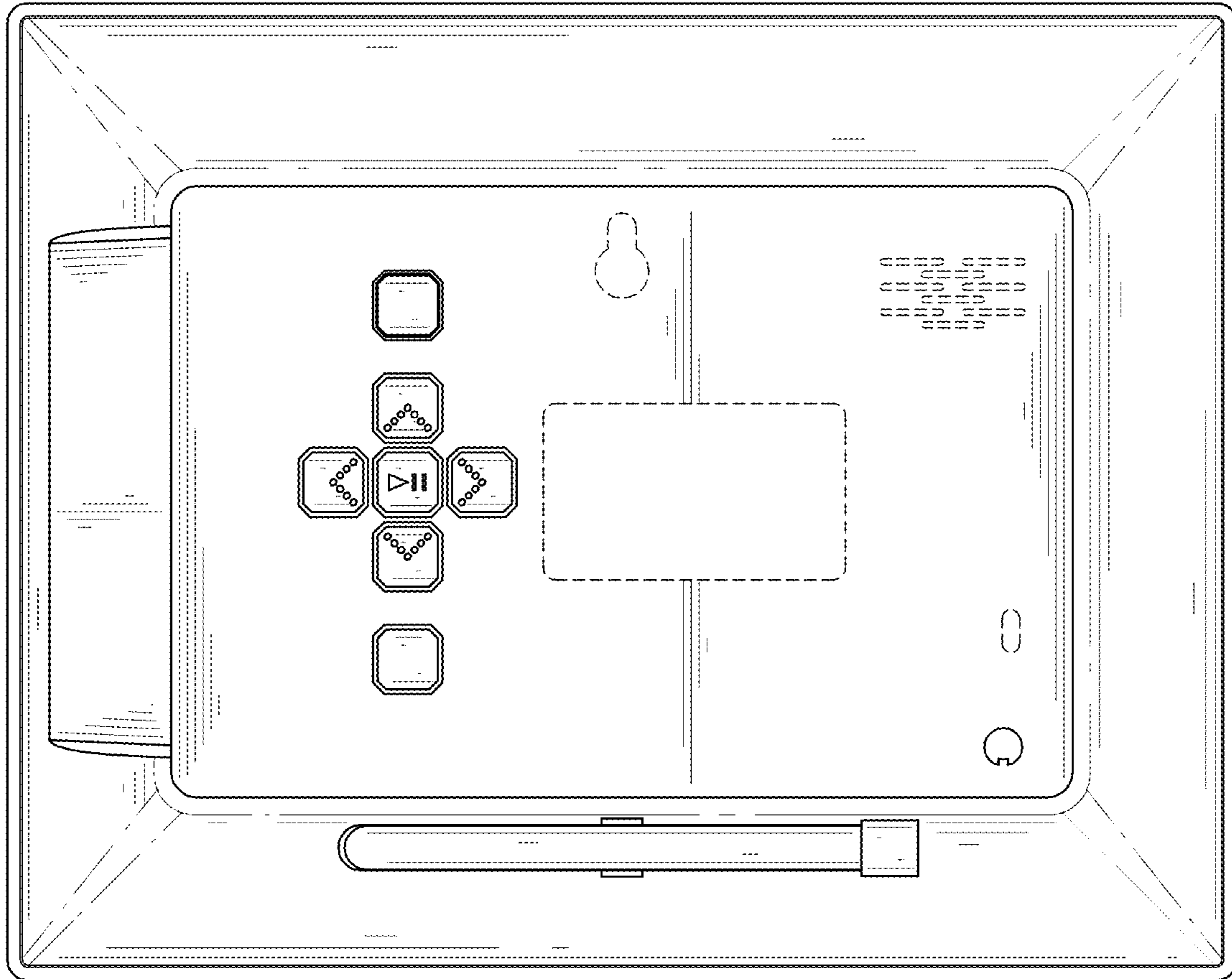


FIG. 4

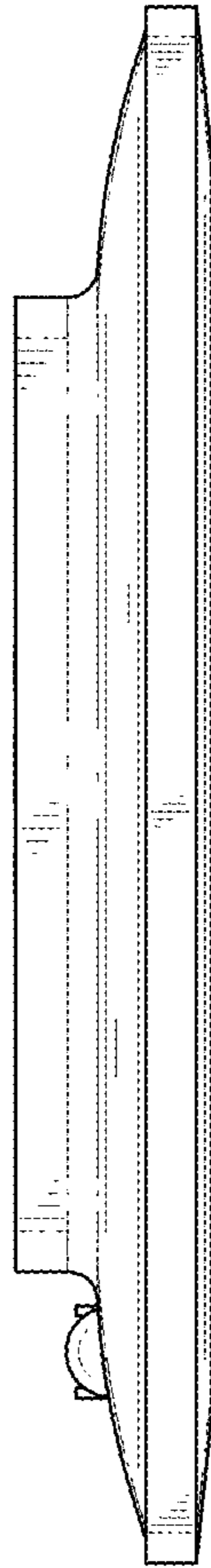


FIG. 5

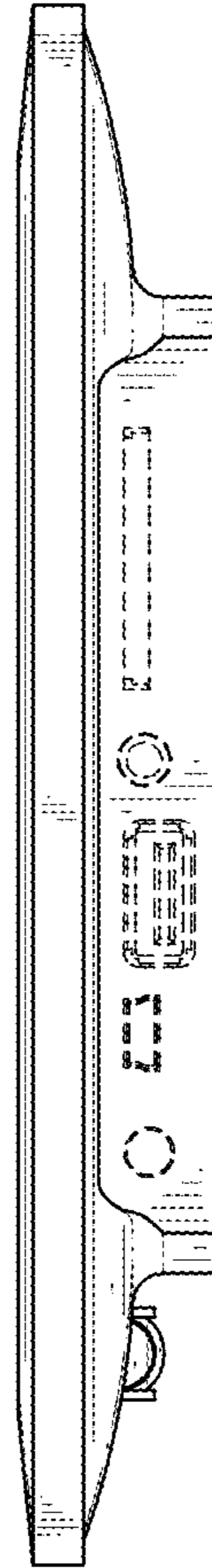


FIG. 6

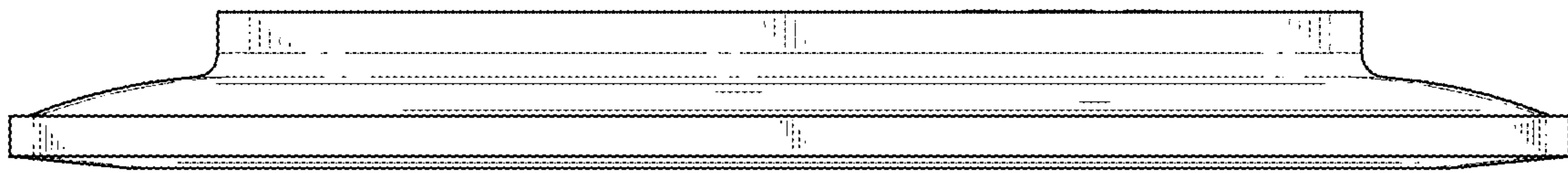


FIG. 7



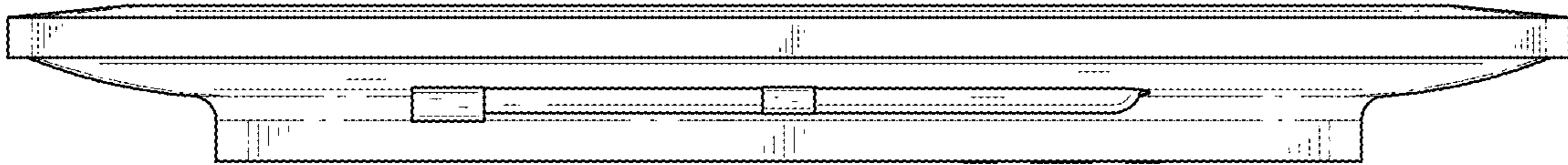


FIG. 8

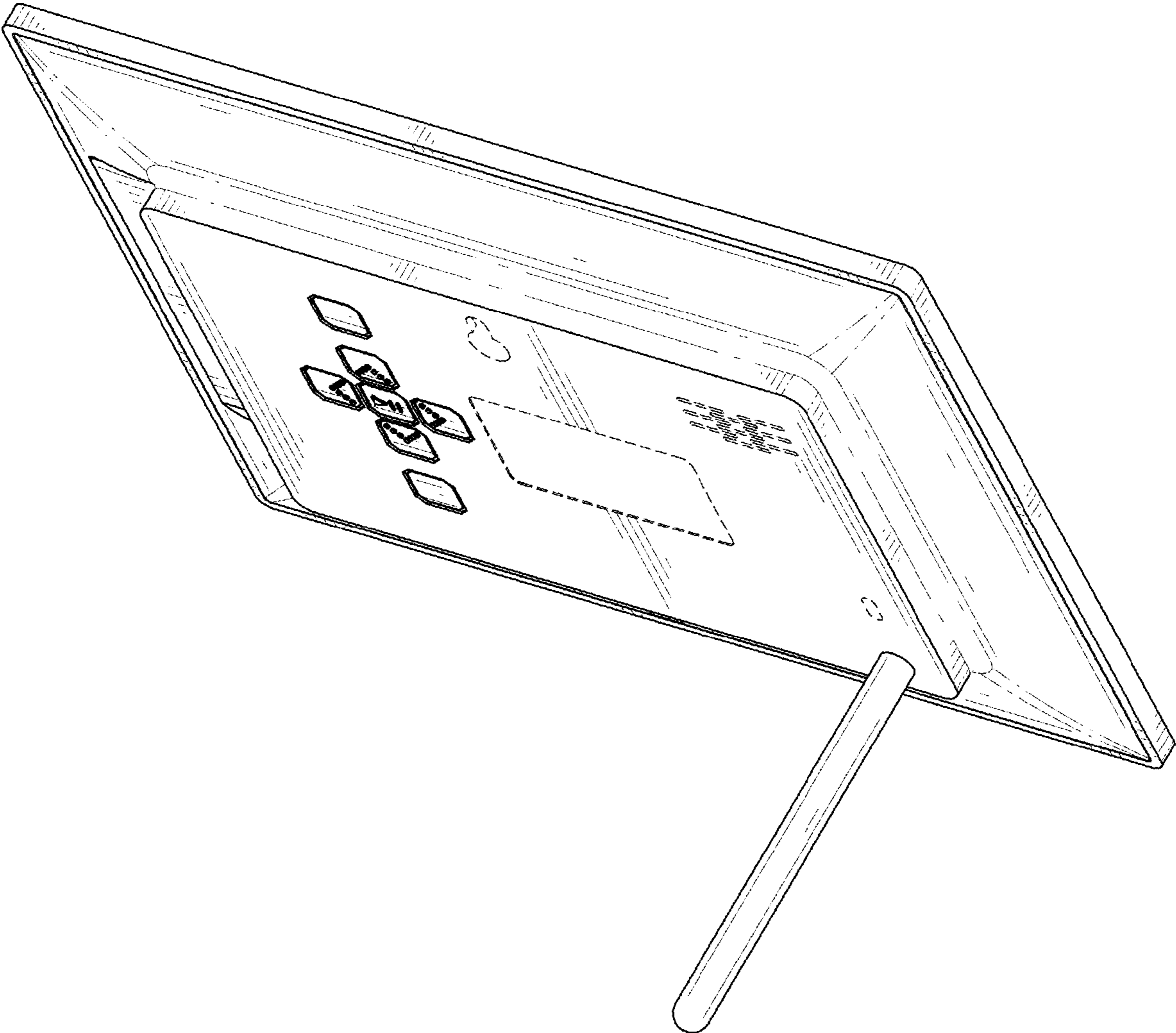


FIG. 9