



US00D882965S

(12) **United States Design Patent**
Liu

(10) **Patent No.:** **US D882,965 S**

(45) **Date of Patent:** **** May 5, 2020**

(54) **MIRROR**

(71) Applicant: **Jinfeng Liu**, Lianjiang (CN)

(72) Inventor: **Jinfeng Liu**, Lianjiang (CN)

(**) Term: **15 Years**

(21) Appl. No.: **29/720,483**

(22) Filed: **Jan. 14, 2020**

(51) **LOC (12) Cl.** **06-06**

(52) **U.S. Cl.**
USPC **D6/302; D6/310**

(58) **Field of Classification Search**
USPC **D6/300-314**
CPC .. **A47G 1/00; A47G 2001/002; F21V 33/004;**
A45D 42/10
See application file for complete search history.

(56) **References Cited**

U.S. PATENT DOCUMENTS

D241,800 S *	10/1976	Johnson	D6/301
D543,707 S *	6/2007	Chan	D6/312
D546,566 S	7/2007	Mischel, Jr.		
D785,345 S *	5/2017	Yang	D6/310
D807,649 S	1/2018	Zadro		
D825,205 S *	8/2018	Liu	D6/310
D829,007 S *	9/2018	Choi	D6/310
10,076,176 B2 *	9/2018	Yang	A45D 42/18
D833,762 S *	11/2018	Liu	D6/310

D834,751 S *	11/2018	Kaiser	D28/64.2
D835,348 S *	12/2018	Kaiser	D28/64.2
D846,805 S *	4/2019	Kaiser	D28/64.2
D859,011 S *	9/2019	Liu	D6/310
D861,356 S *	10/2019	Zhu	D6/310
D865,374 S *	11/2019	Yang	D6/310
D874,836 S *	2/2020	Li	D6/312
2014/0240964 A1 *	8/2014	Adachi	A45D 42/04 362/141

* cited by examiner

Primary Examiner — Deanna L Pratt

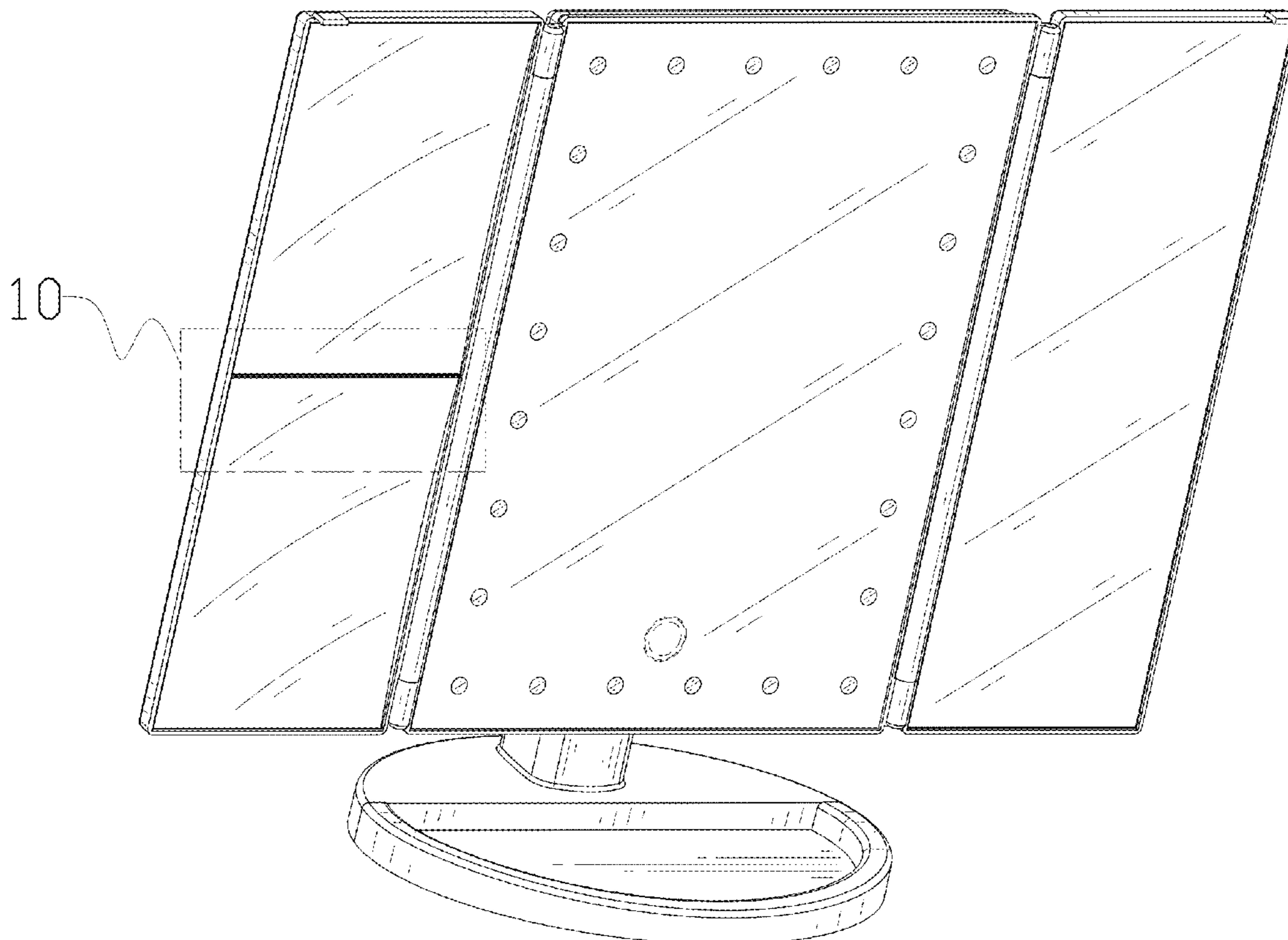
(57) **CLAIM**

The ornamental design for a mirror, as shown and described.

DESCRIPTION

FIG. 1 is a perspective view of a mirror showing my new design;
 FIG. 2 is another perspective view thereof;
 FIG. 3 is a front elevational view thereof;
 FIG. 4 is a rear elevational view thereof;
 FIG. 5 is a left side elevational view thereof;
 FIG. 6 is a right side elevational view thereof;
 FIG. 7 is a top plan view thereof;
 FIG. 8 is a bottom plan view thereof;
 FIG. 9 is a perspective view of the mirror where the mirror is in a folded state; and,
 FIG. 10 is an enlarged view of portion 10 shown in FIG. 1.
 The broken lines in the drawings depict portions of the mirror that form no part of the claimed design.

1 Claim, 10 Drawing Sheets



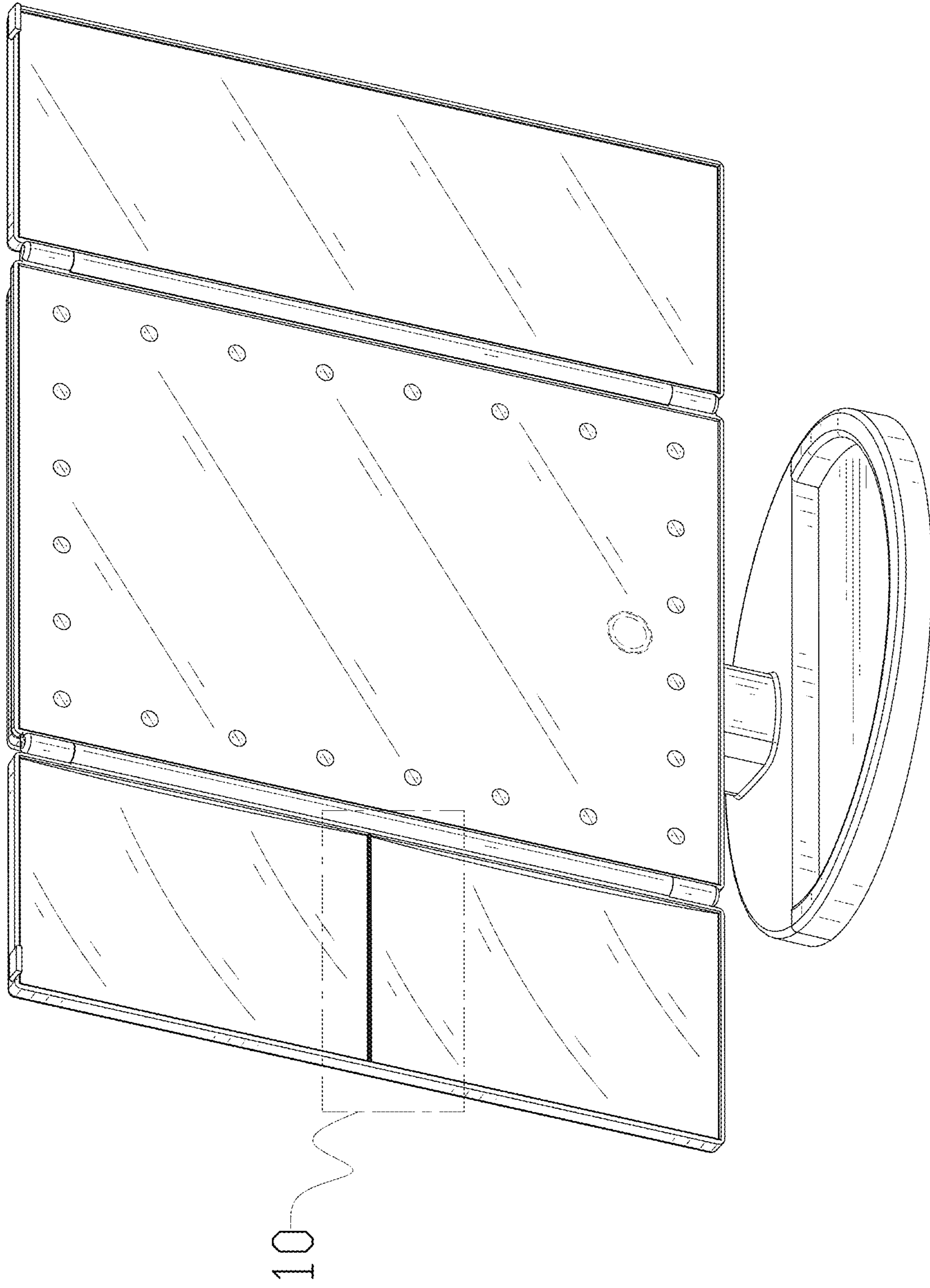


FIG. 1

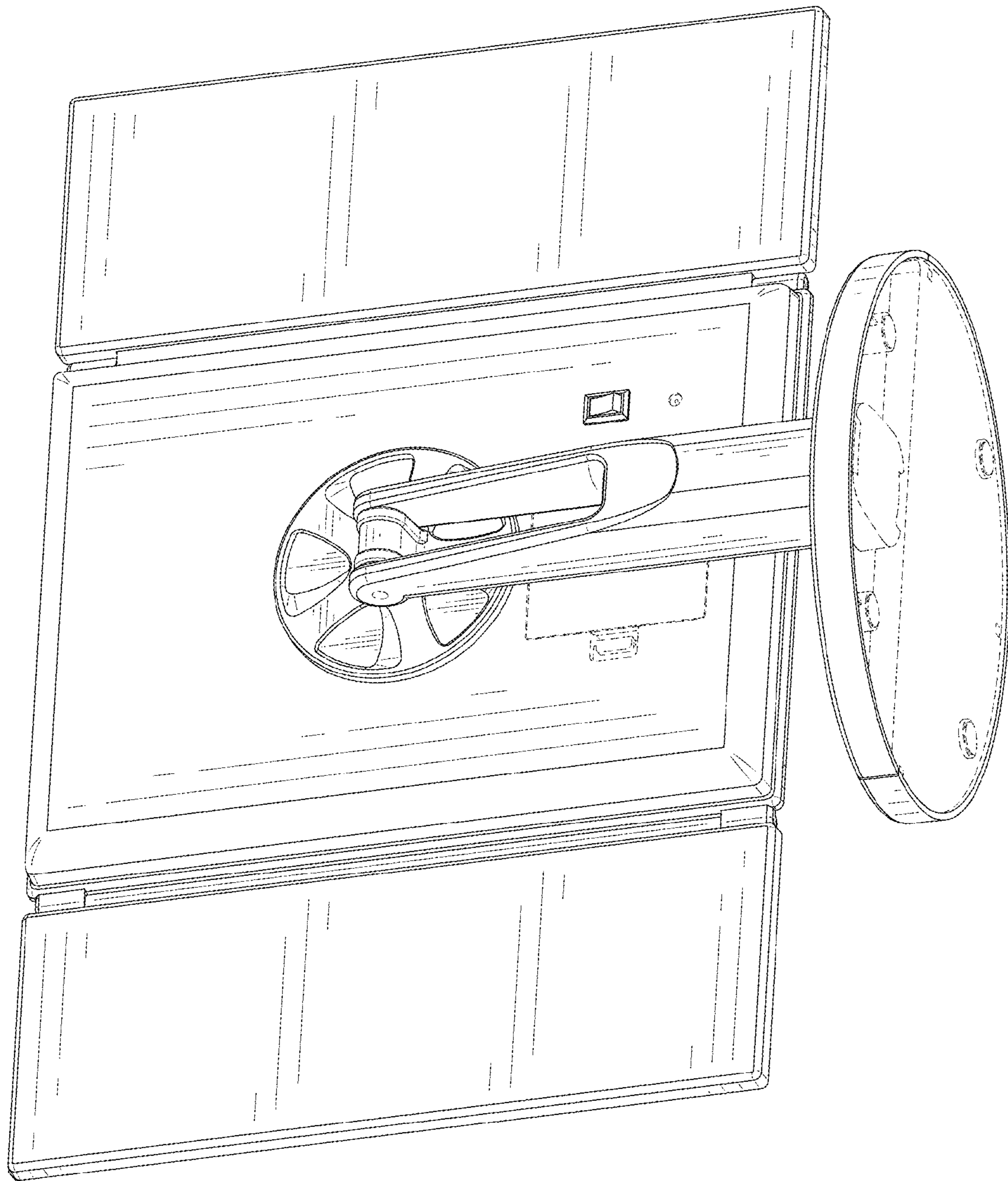


FIG. 2

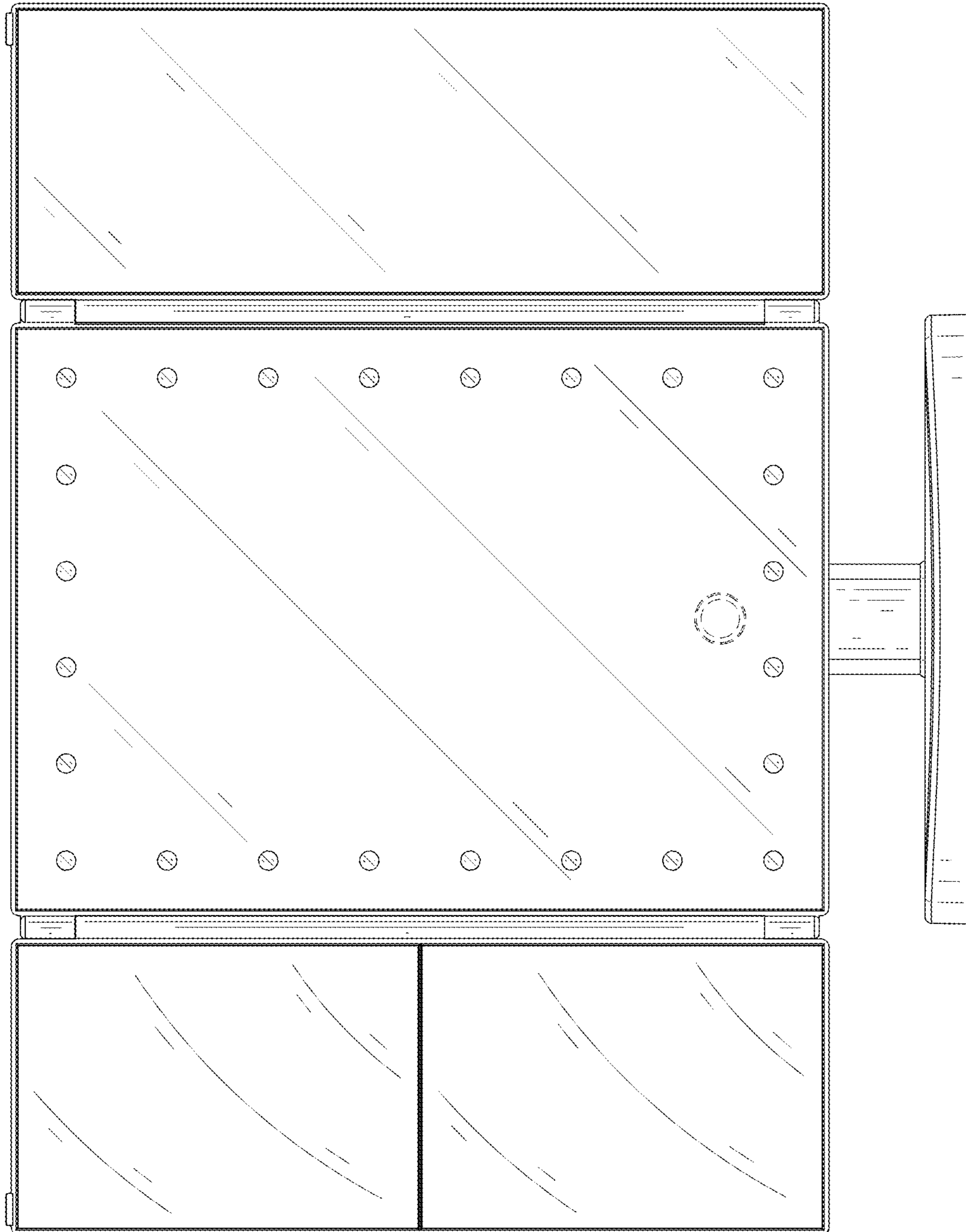


FIG. 3

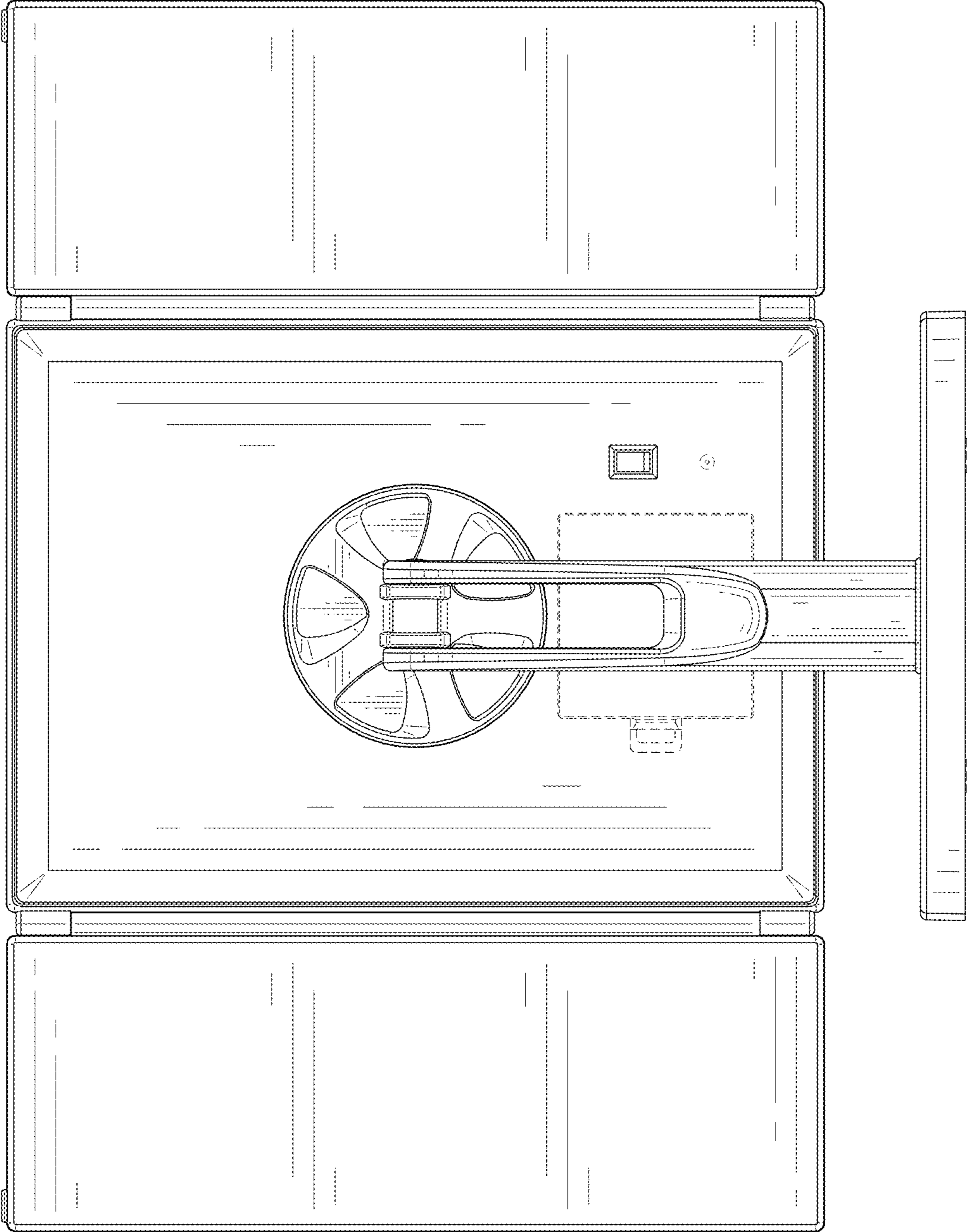


FIG. 4

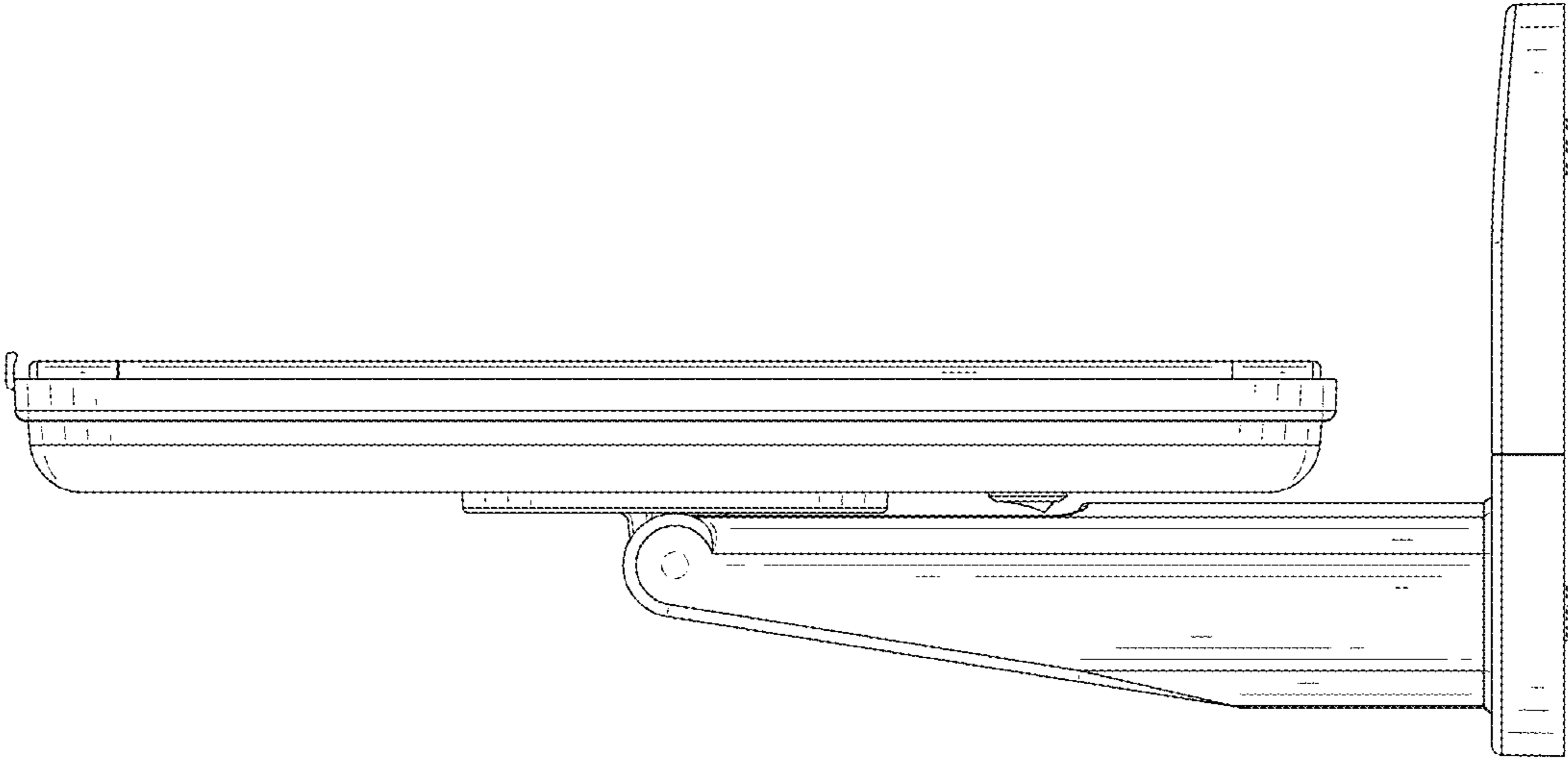


FIG. 5

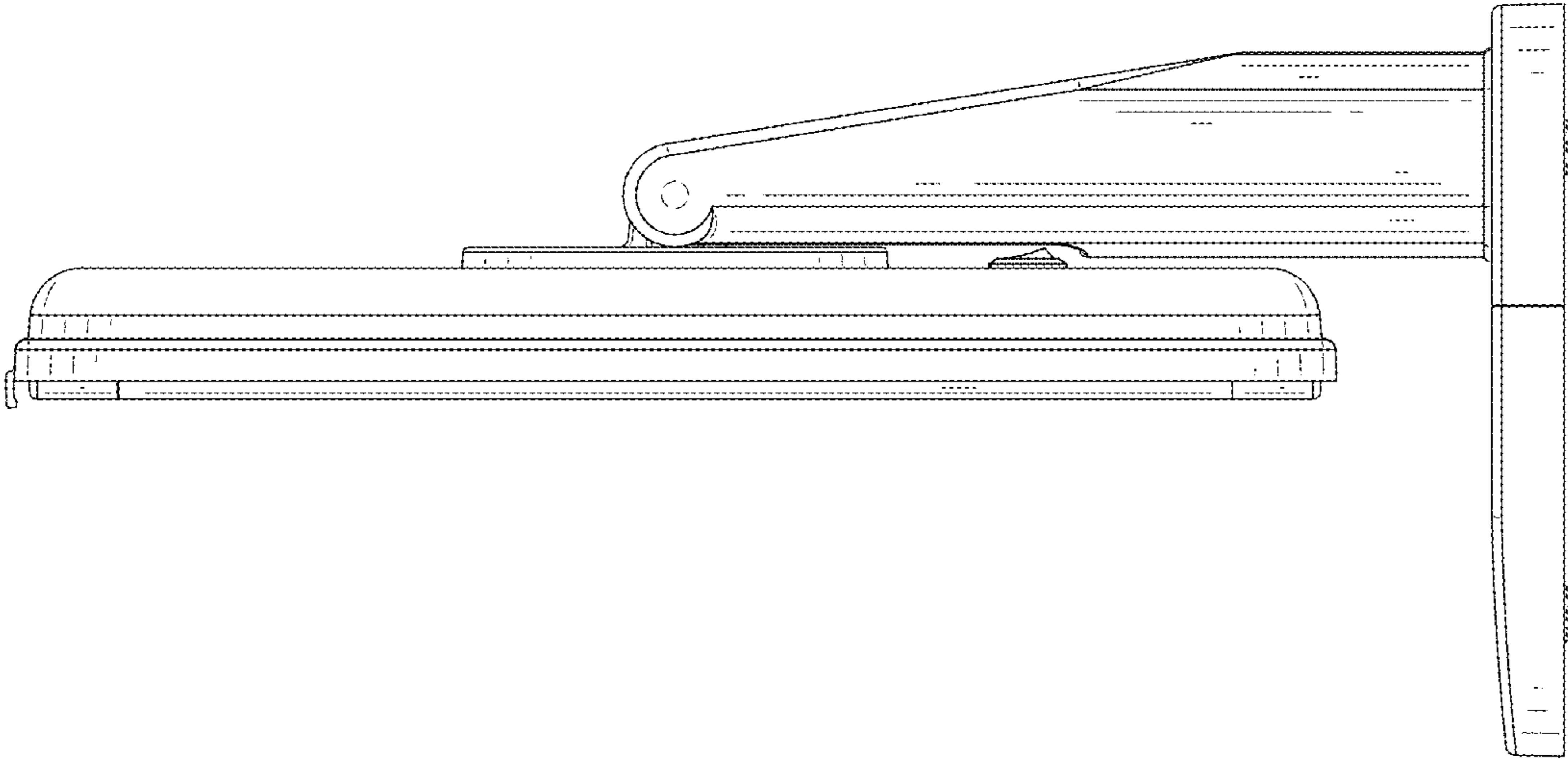


FIG. 6

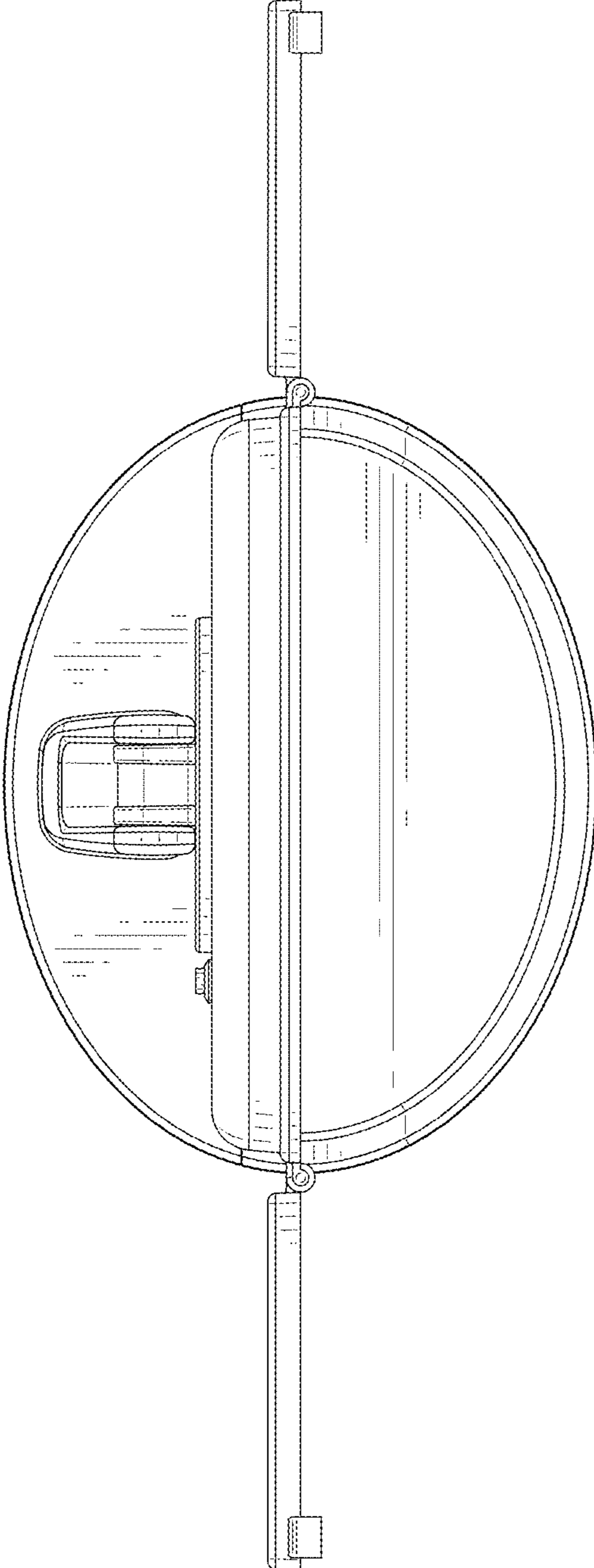


FIG. 7

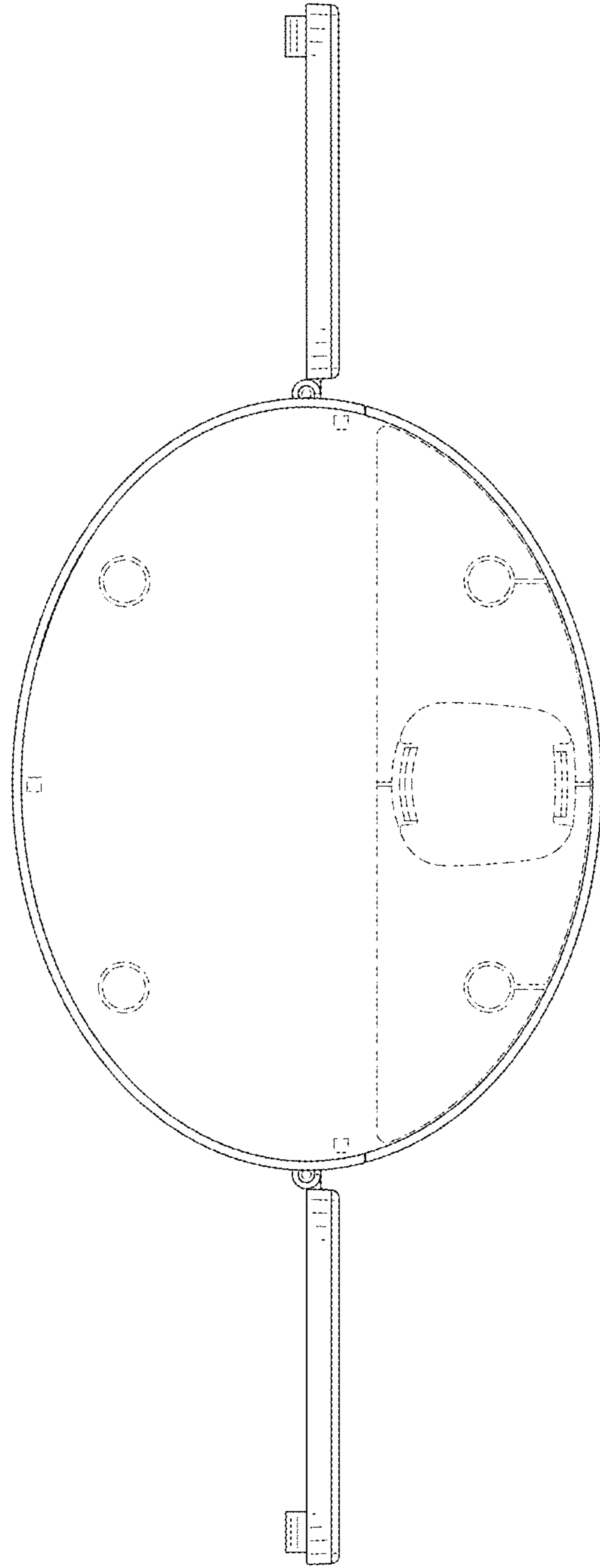


FIG. 8

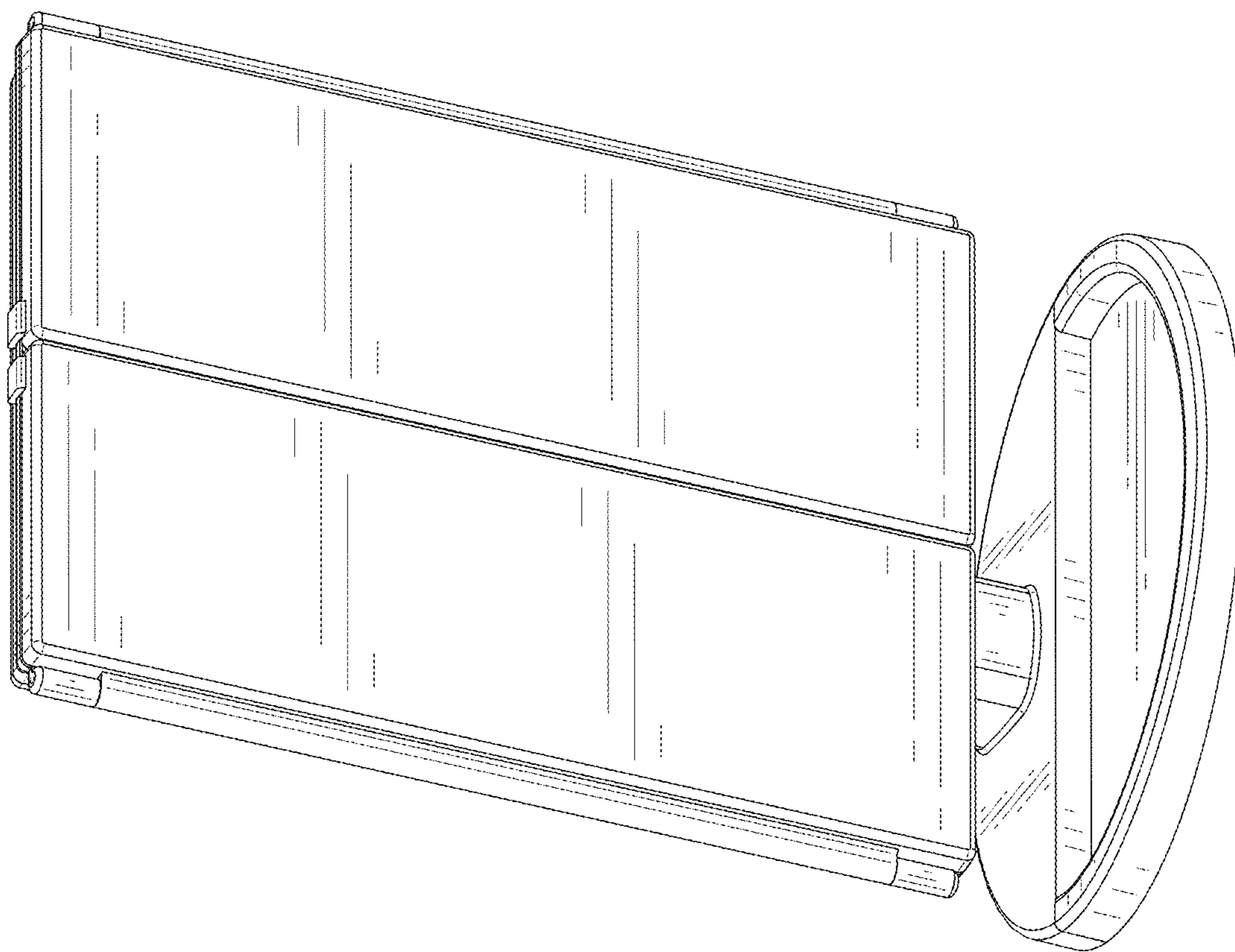


FIG. 9

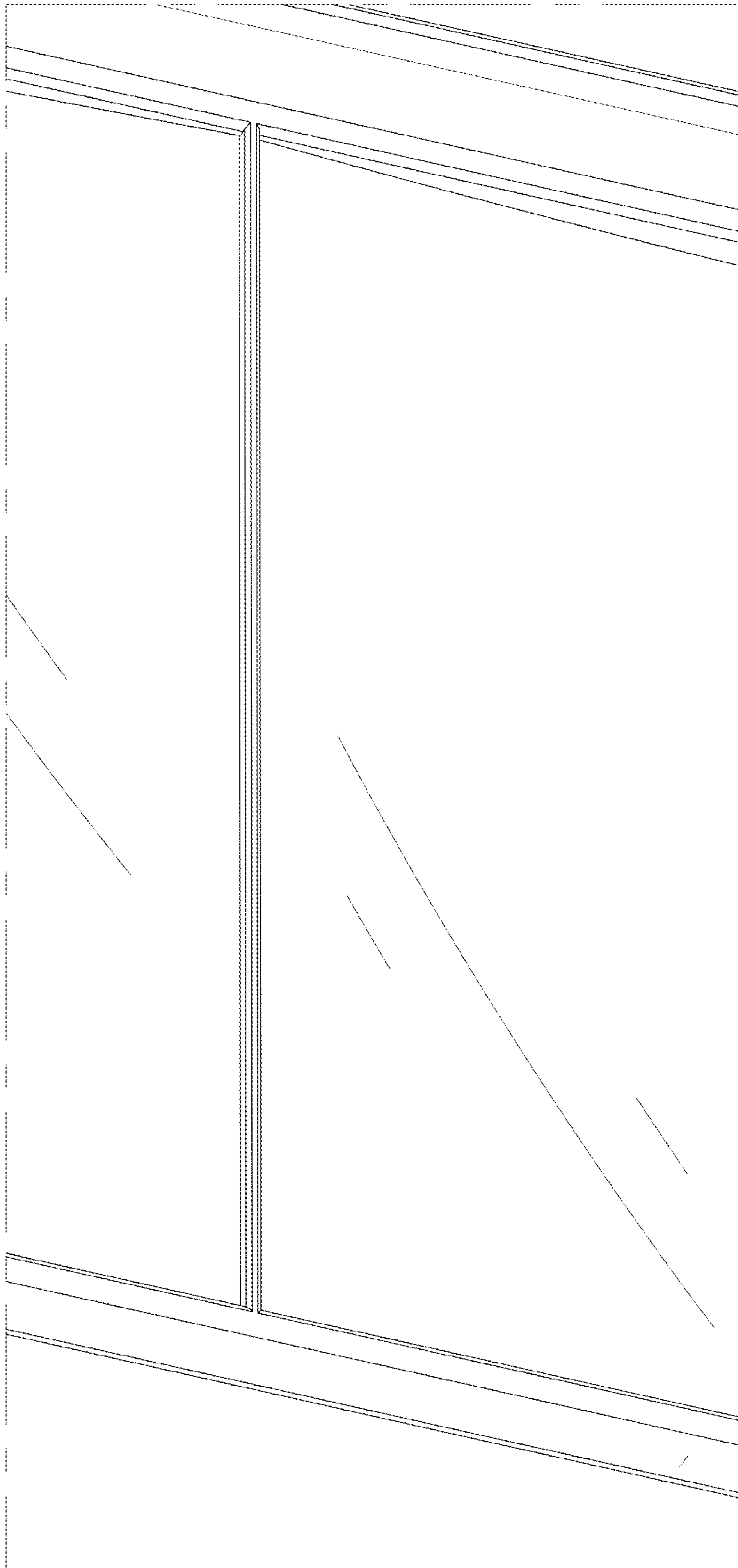


FIG. 10