



US00D882957S

(12) **United States Design Patent**
Huang

(10) **Patent No.:** **US D882,957 S**

(45) **Date of Patent:** **** May 5, 2020**

(54) **HAIR STRAIGHTENER**

(71) Applicant: **SHENZHEN MEXI TECHNOLOGY CO., LTD**, Shenzhen, Guangdong Province (CN)

(72) Inventor: **Geming Huang**, Shenzhen (CN)

(73) Assignee: **SHENZHEN MEXI TECHNOLOGY CO., LTD**, Shenzhen (CN)

(**) Term: **15 Years**

(21) Appl. No.: **29/650,950**

(22) Filed: **Jun. 11, 2018**

(30) **Foreign Application Priority Data**

Apr. 9, 2018 (CN) 2018 3 0140577

(51) **LOC (12) Cl.** **28-03**

(52) **U.S. Cl.**
USPC **D4/100; D28/35**

(58) **Field of Classification Search**
USPC D4/100, 116, 117, 120, 121, 130, 136, D4/199; D28/15, 24, 25, 35, 13; D30/158; 132/120
CPC A45D 2/001; A45D 2/002; A45D 7/02; A45D 20/48; A45D 20/50; A45D 20/52; A45D 24/16; A45D 24/007; A45D 20/10; A46B 9/023; A46B 15/003; A46B 15/0059
See application file for complete search history.

(56) **References Cited**

U.S. PATENT DOCUMENTS

D105,165 S * 6/1937 Dean D4/117
D253,849 S * 1/1980 Schroeder D28/24
D609,857 S * 2/2010 Schmitz D28/15

D645,664 S * 9/2011 Pires D4/133
8,267,098 B2 * 9/2012 Glucksman A45D 20/48
132/136
D765,911 S * 9/2016 Hollinger D28/15
D766,504 S * 9/2016 Hollinger D28/15
D771,310 S * 11/2016 He D28/15
D817,643 S * 5/2018 Valle D4/100
D821,648 S * 6/2018 Qiu D28/25
D846,885 S * 4/2019 Khoun D4/117
D858,875 S * 9/2019 Liu D28/15
2015/0122286 A1 * 5/2015 Valle A45D 1/04
132/229
2016/0360847 A1 * 12/2016 He A45D 2/002
(Continued)

FOREIGN PATENT DOCUMENTS

CN 303828949 * 8/2016
CN 304377088 * 11/2017
EM 004508166-0001 * 11/2017

Primary Examiner — Karen E Eldridge Powers
(74) *Attorney, Agent, or Firm* — Innovation Capital Law Group, LLP; Vic Lin

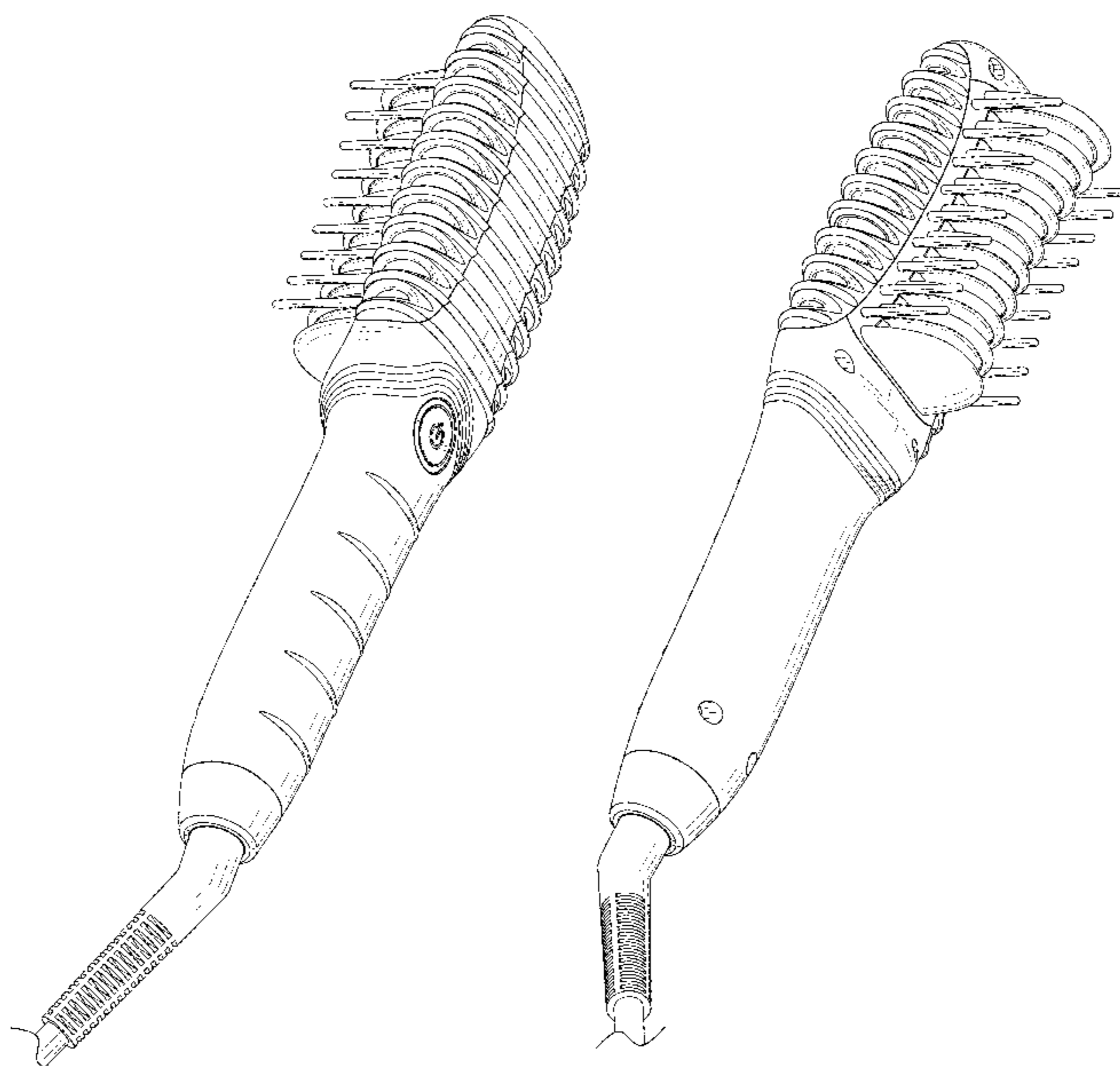
(57) **CLAIM**

The ornamental design for a hair straightener, as shown and described.

DESCRIPTION

FIG. 1 is a top plan view of the hair straightener;
FIG. 2 is a bottom plan view of the hair straightener;
FIG. 3 is a right side elevation view of the hair straightener;
FIG. 4 is a left side elevation view of the hair straightener;
FIG. 5 is an enlarged top perspective view of the hair straightener; and
FIG. 6 is an enlarged bottom perspective view of the hair straightener.
FIG. 7 is a top perspective view of the hair straightener; and,
FIG. 8 is a bottom perspective view of the hair straightener.

1 Claim, 8 Drawing Sheets



(56)

References Cited

U.S. PATENT DOCUMENTS

2017/0112271 A1* 4/2017 Gulamani A46B 9/023
2017/0238670 A1* 8/2017 Mercier A45D 20/525

* cited by examiner

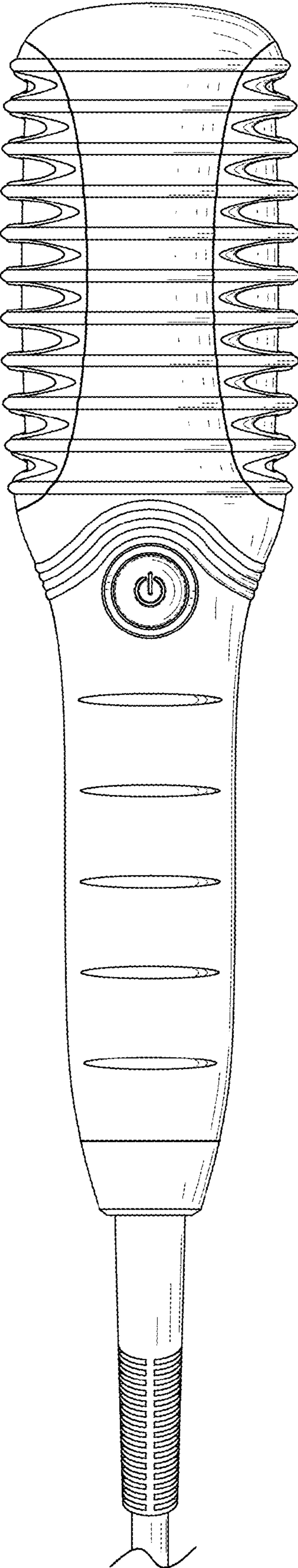


FIG. 1

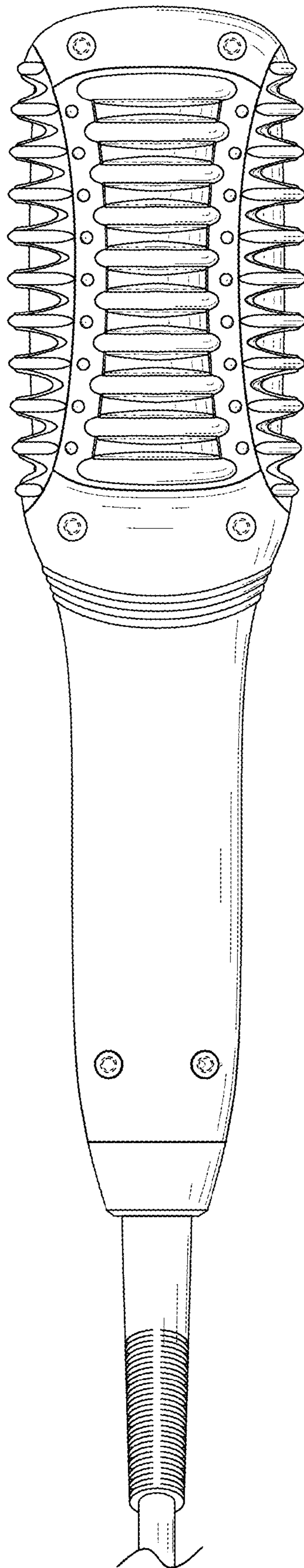


FIG. 2

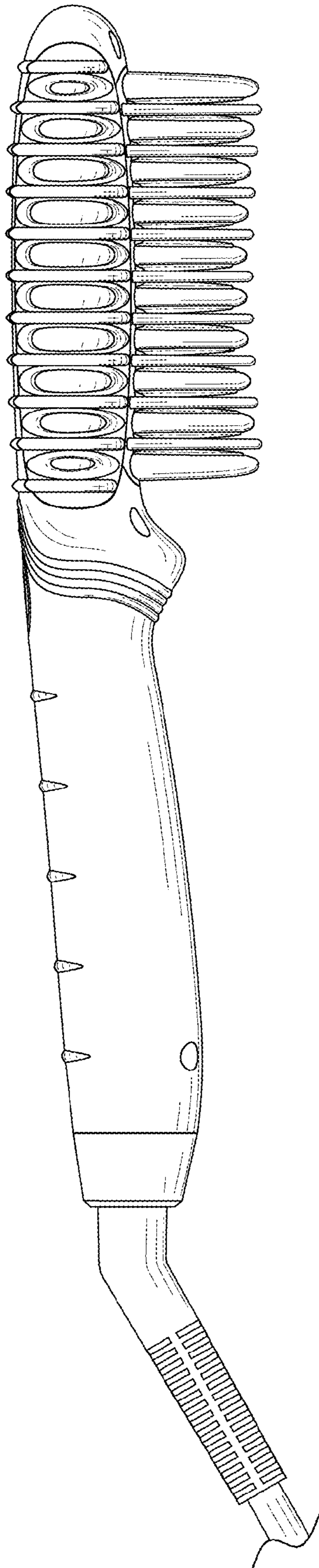


FIG. 3

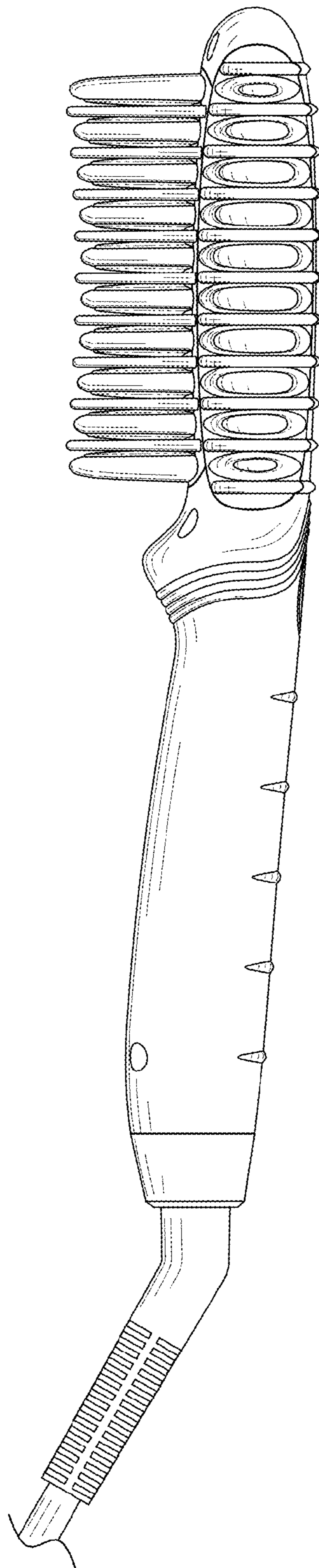


FIG. 4

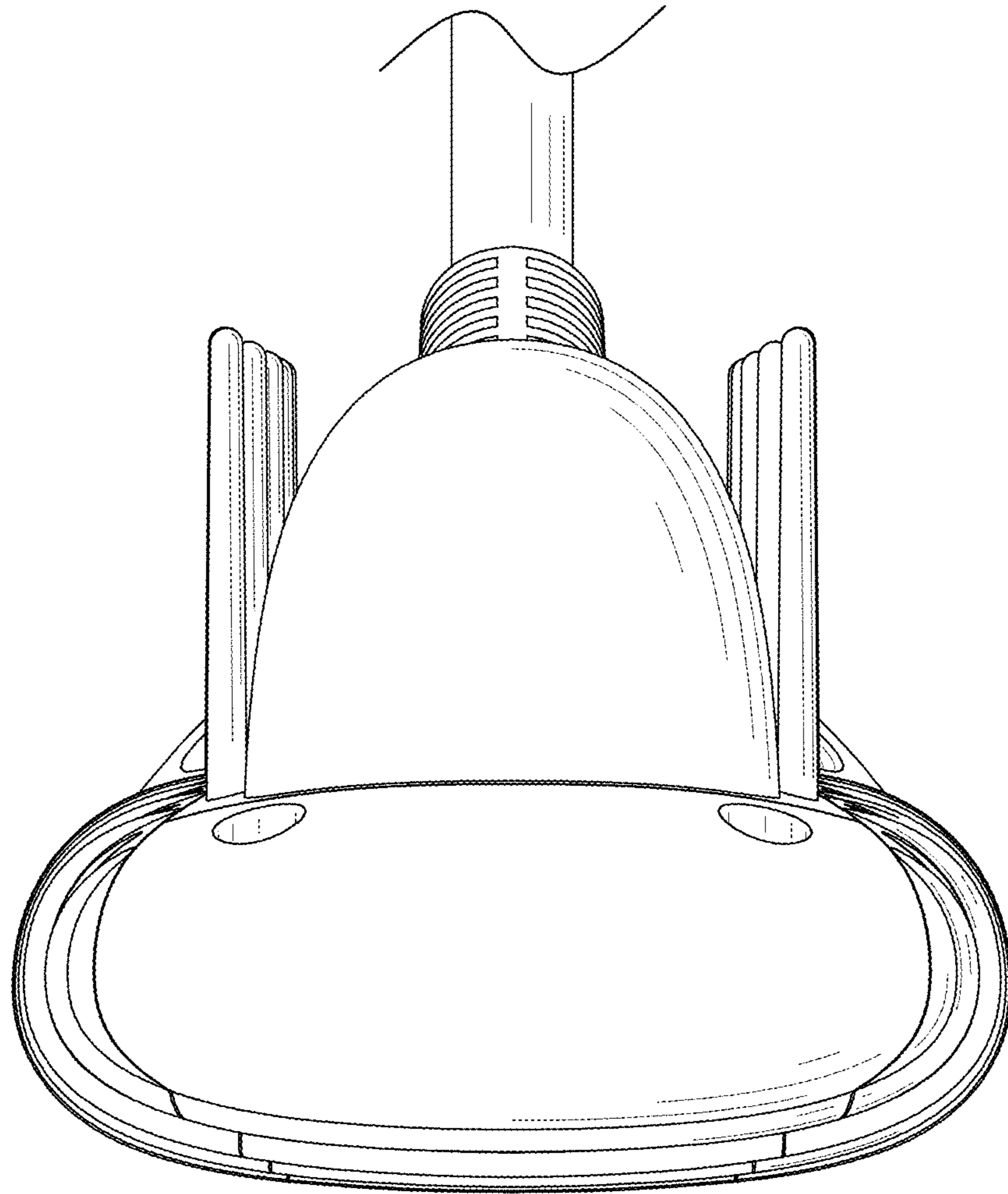


FIG. 5

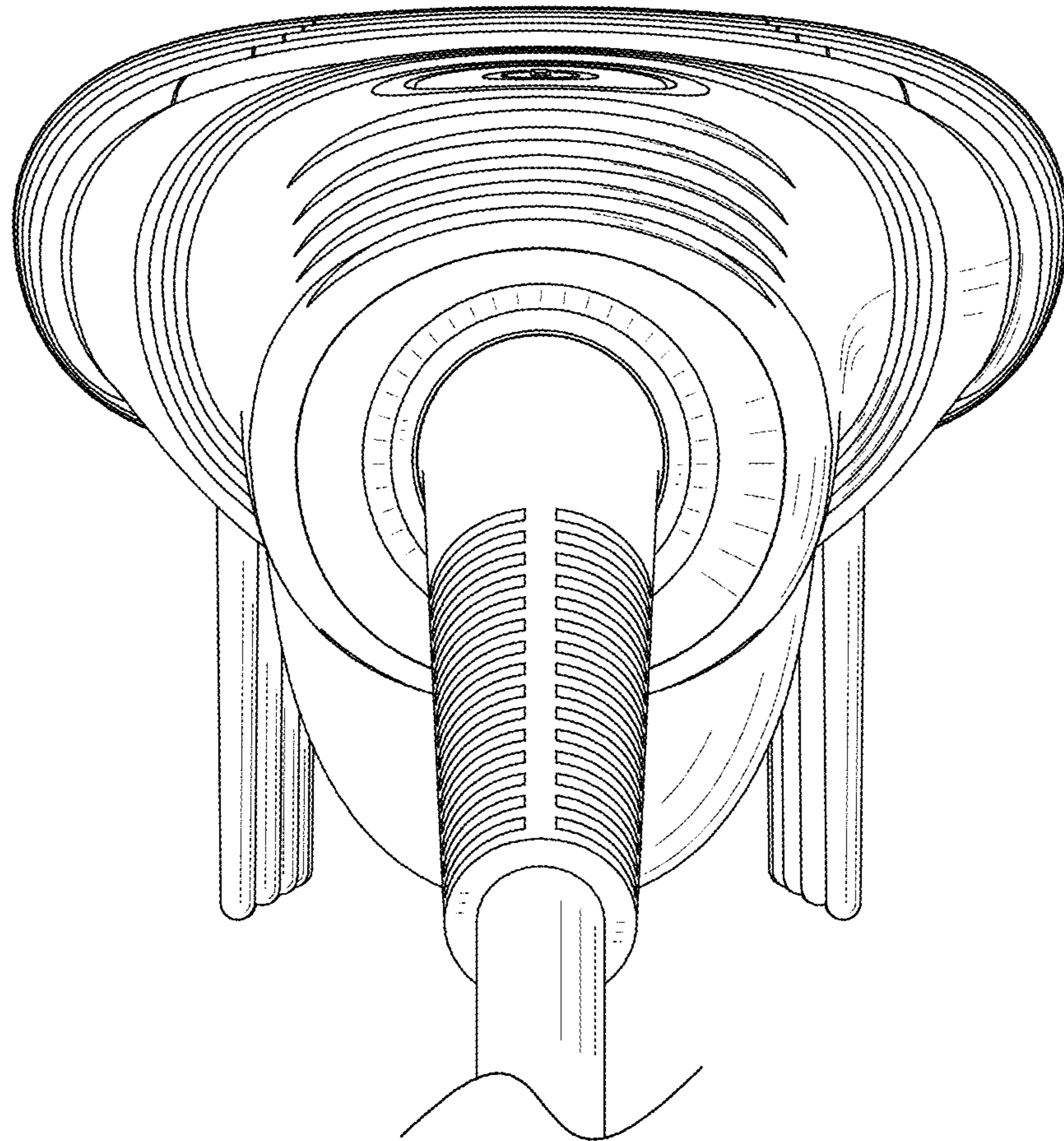


FIG. 6

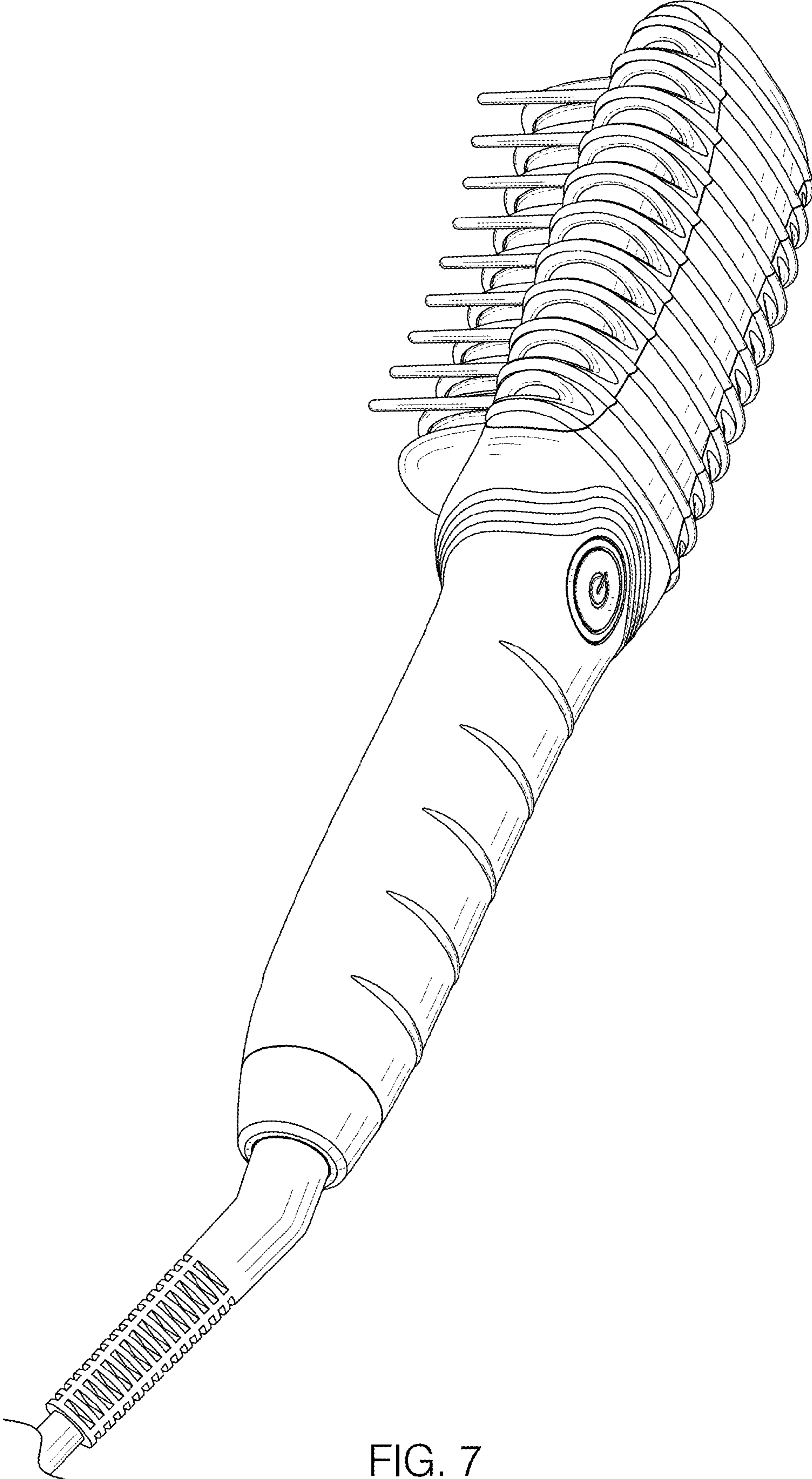


FIG. 7

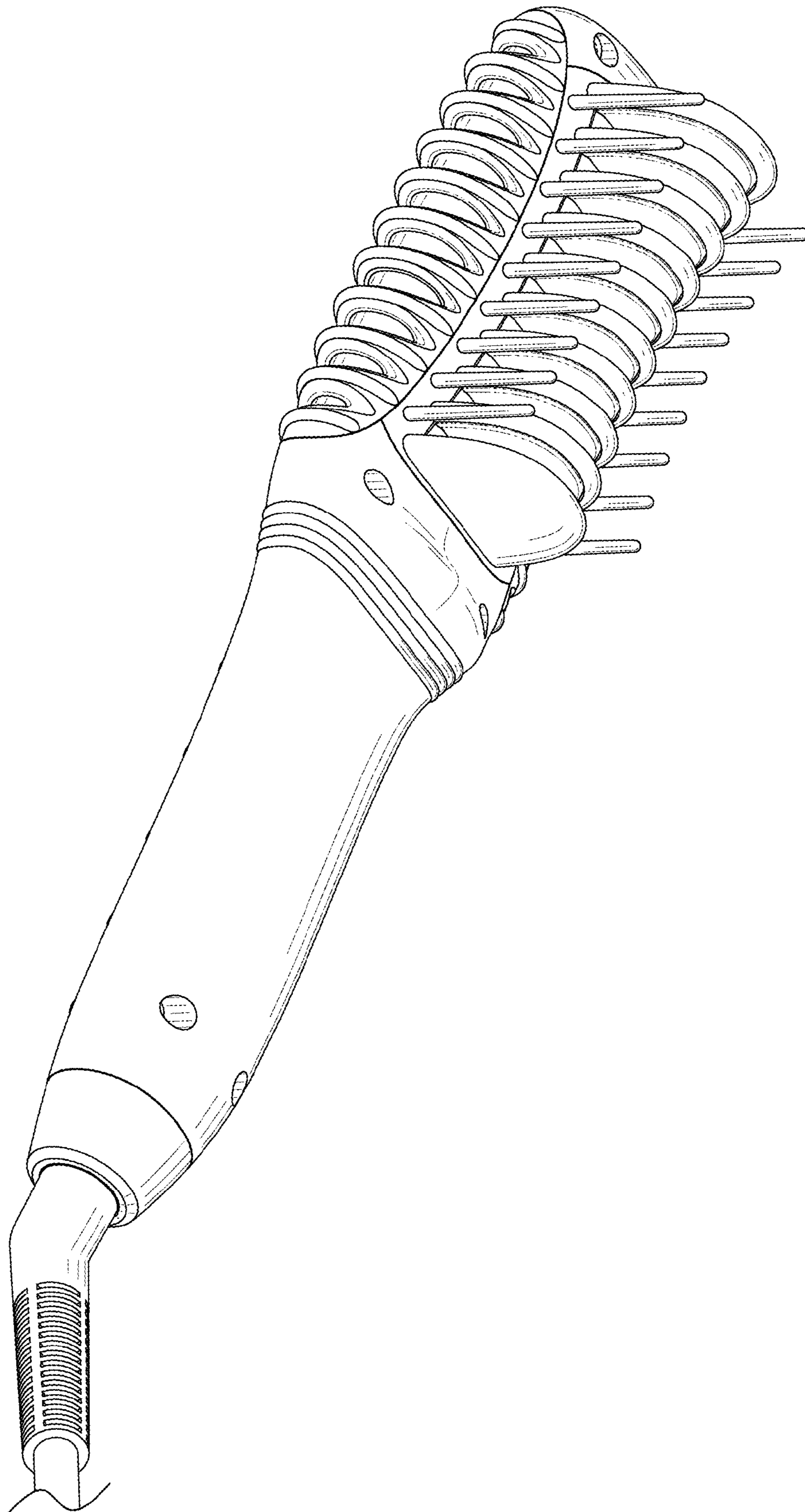


FIG. 8