



US00D882955S

(12) **United States Design Patent** (10) **Patent No.:** **US D882,955 S**  
**Pereira Lourinho et al.** (45) **Date of Patent:** **\*\* May 5, 2020**

(54) **SHOPPING BAG**  
(71) Applicant: **JOALPE INDUSTRIA DE EXPOSITORES S.A.**,  
Tortosendo-Covilha (PT)  
(72) Inventors: **Nuno Goncalo Pereira Lourinho**,  
Tortosendo-Covilha (PT); **Marco Joao Oliveira Pereira**,  
Tortosendo-Covilha (PT); **Kevin Mickael Lopes Batista**,  
Tortosendo-Covilha (PT)  
(73) Assignee: **JOALPE INDUSTRIA DE EXPOSITORES S.A.**,  
Tortosendo-Covilha (PT)  
(\*\*) Term: **15 Years**

D397,250 S \* 8/1998 Fink ..... D3/309  
D400,679 S \* 11/1998 Kern ..... D34/27  
D401,065 S \* 11/1998 Peltola ..... D3/304  
D421,336 S \* 3/2000 Demore ..... D3/201  
6,540,240 B2 \* 4/2003 Nadeau ..... B62B 3/144  
280/33.993  
D474,603 S \* 5/2003 Berenguer ..... D3/307  
D475,494 S \* 6/2003 Kotsias ..... D32/37  
D497,253 S \* 10/2004 Alves ..... D3/309  
D536,874 S \* 2/2007 Splain ..... D3/304  
D553,361 S \* 10/2007 Splain ..... D3/304  
D554,371 S \* 11/2007 Ahman ..... D3/304  
D564,229 S \* 3/2008 Splain ..... D3/304  
D564,758 S \* 3/2008 Drury ..... D3/304  
D634,501 S \* 3/2011 Overland ..... D34/19  
D665,848 S \* 8/2012 Lee ..... D19/92  
D755,520 S \* 5/2016 Alves ..... D3/304  
D794,959 S \* 8/2017 Takagaki ..... D3/307  
D794,960 S \* 8/2017 Takagaki ..... D3/307  
D804,181 S \* 12/2017 Takagaki ..... D3/307

(21) Appl. No.: **29/681,516**  
(22) Filed: **Feb. 26, 2019**

(30) **Foreign Application Priority Data**  
Aug. 27, 2018 (EM) ..... 005621661-001  
(51) **LOC (12) Cl.** ..... **09-04**  
(52) **U.S. Cl.**  
USPC ..... **D3/314**  
(58) **Field of Classification Search**  
USPC ..... D3/304, 306, 312, 314, 315; D5/47, 56;  
D7/667, 601; D8/356, 359  
CPC ..... A47J 37/1219  
See application file for complete search history.

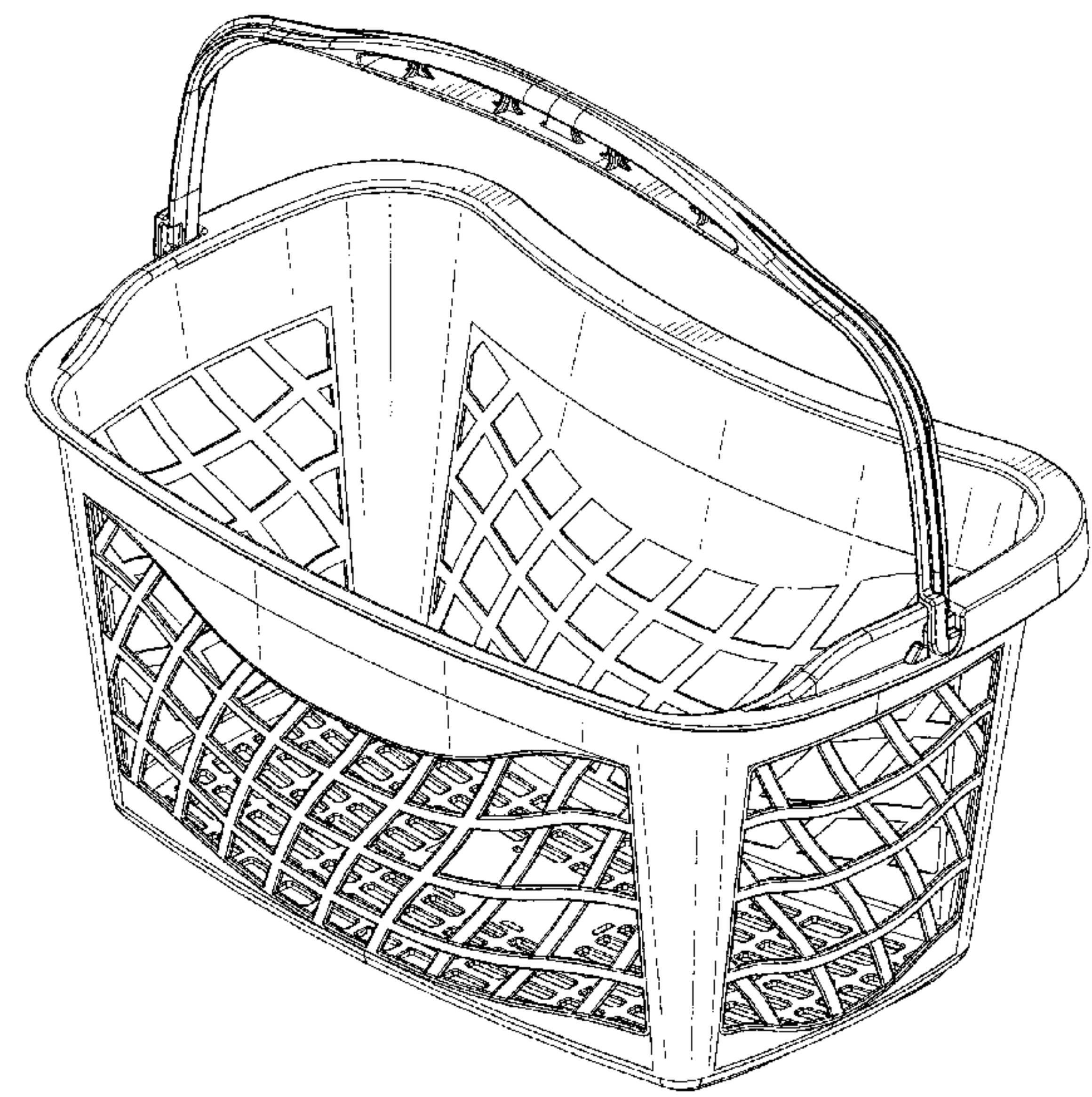
(56) **References Cited**  
U.S. PATENT DOCUMENTS  
D155,971 S \* 11/1949 Concklin ..... D34/17  
D377,255 S \* 1/1997 Rehrig ..... D34/27  
5,715,968 A \* 2/1998 Fink ..... A45C 3/04  
220/669  
D395,362 S \* 6/1998 Fink ..... D3/307

(Continued)  
*Primary Examiner* — Kevin K Rudzinski  
*Assistant Examiner* — Amber J Rabie  
(74) *Attorney, Agent, or Firm* — Lucas & Mercanti, LLP

(57) **CLAIM**  
The ornamental design for a shopping bag, as shown and described.

**DESCRIPTION**  
FIG. 1 is a top front perspective view thereof;  
FIG. 2 is a top back perspective view thereof;  
FIG. 3 is a top view thereof;  
FIG. 4 is a bottom view thereof;  
FIG. 5 is a front view thereof;  
FIG. 6 is a back view thereof;  
FIG. 7 is a left view thereof;  
FIG. 8 is a right view thereof; and,  
FIG. 9 is a perspective view thereof.

**1 Claim, 6 Drawing Sheets**



(56)

**References Cited**

U.S. PATENT DOCUMENTS

2007/0062960 A1\* 3/2007 Splain ..... A45C 3/04  
220/669

\* cited by examiner



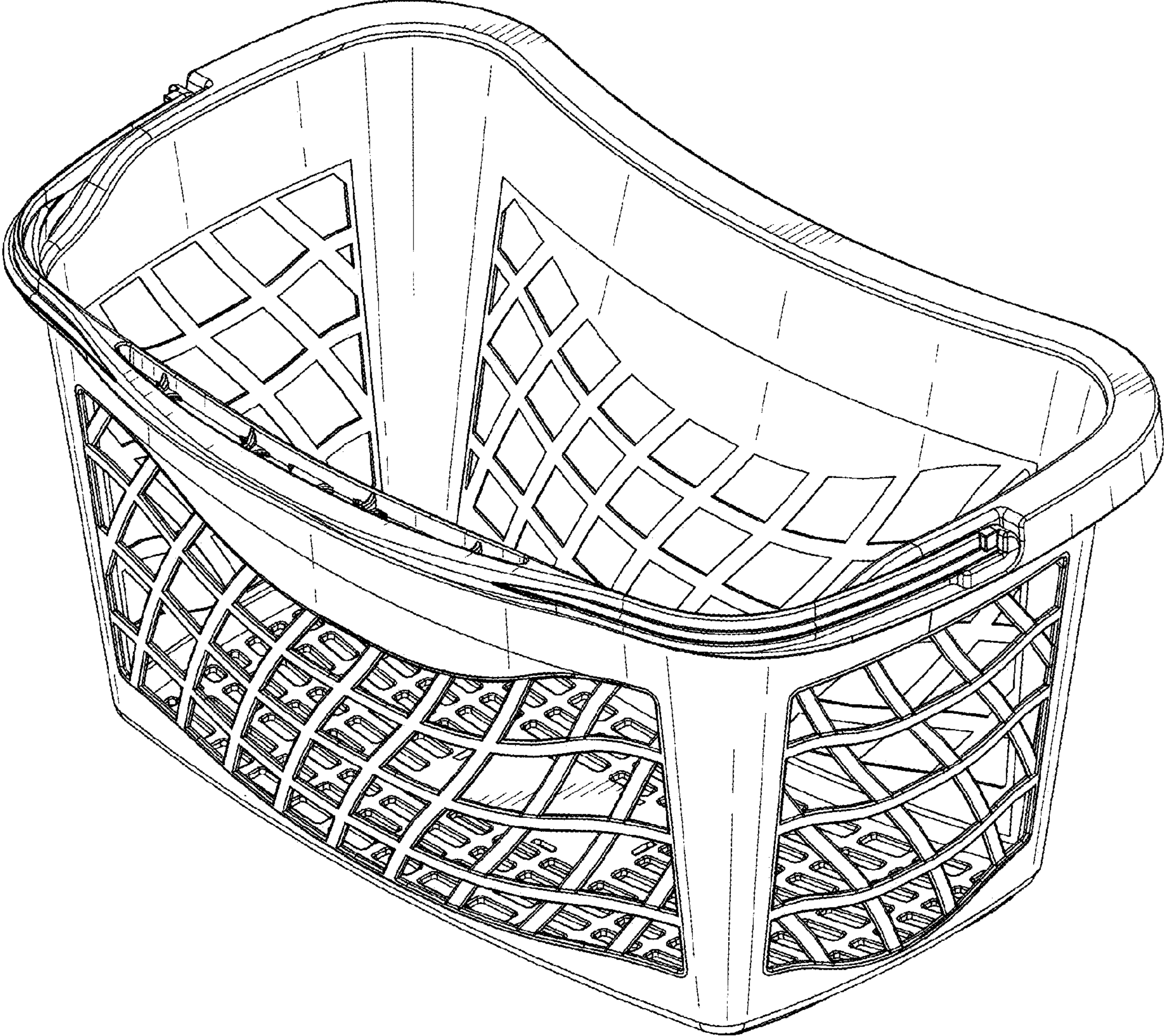


FIG. 1



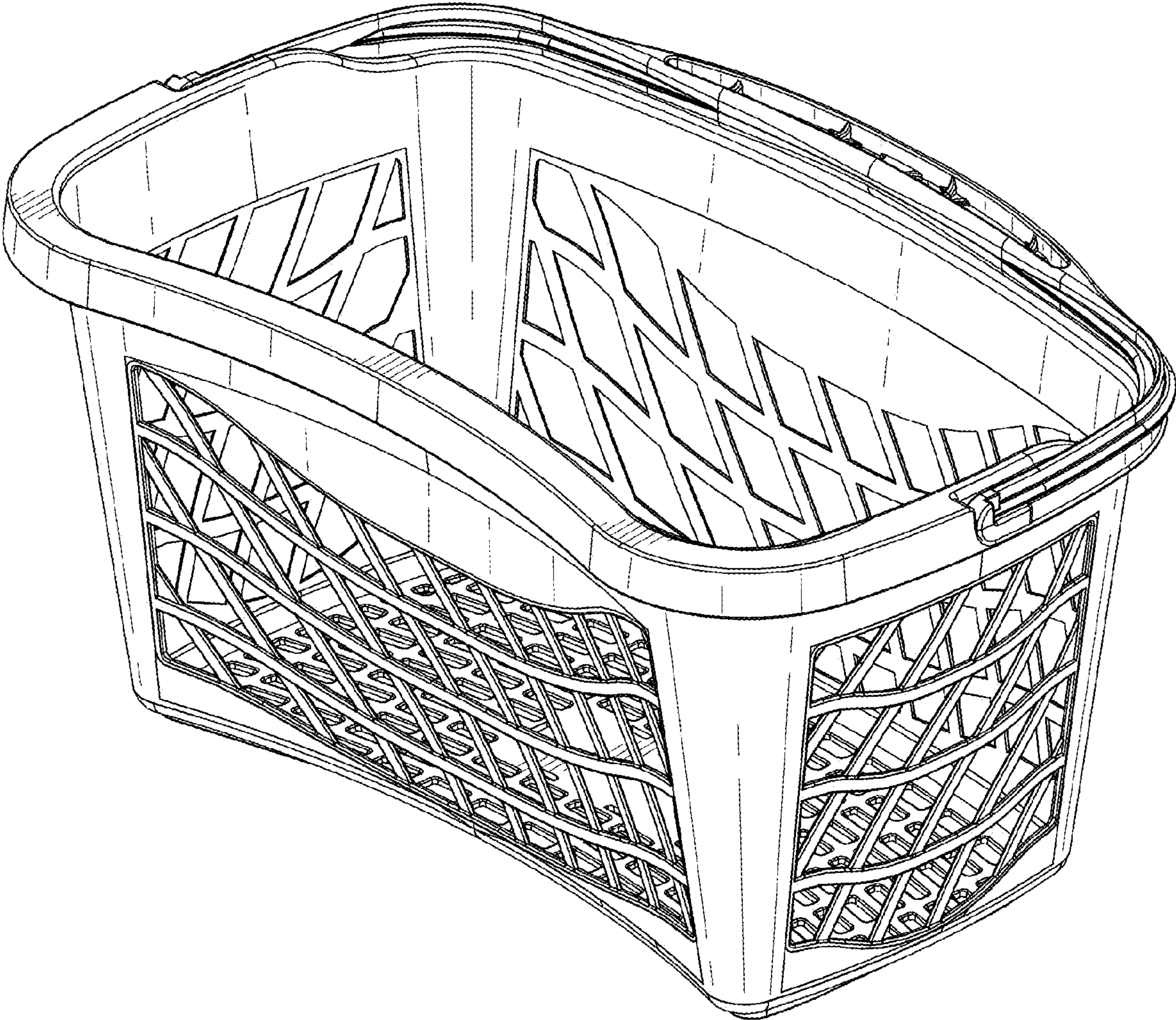


FIG. 2



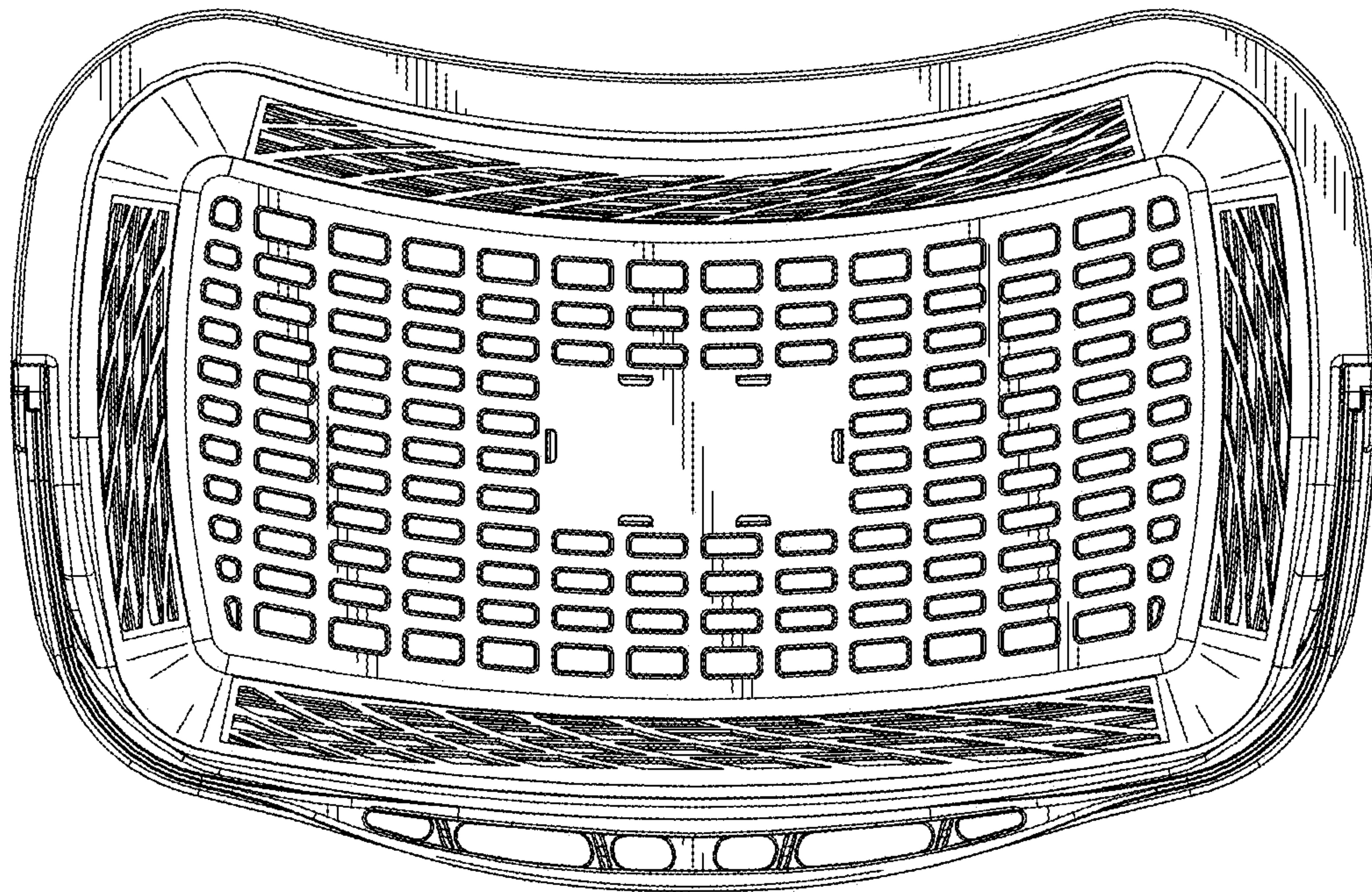


FIG. 3

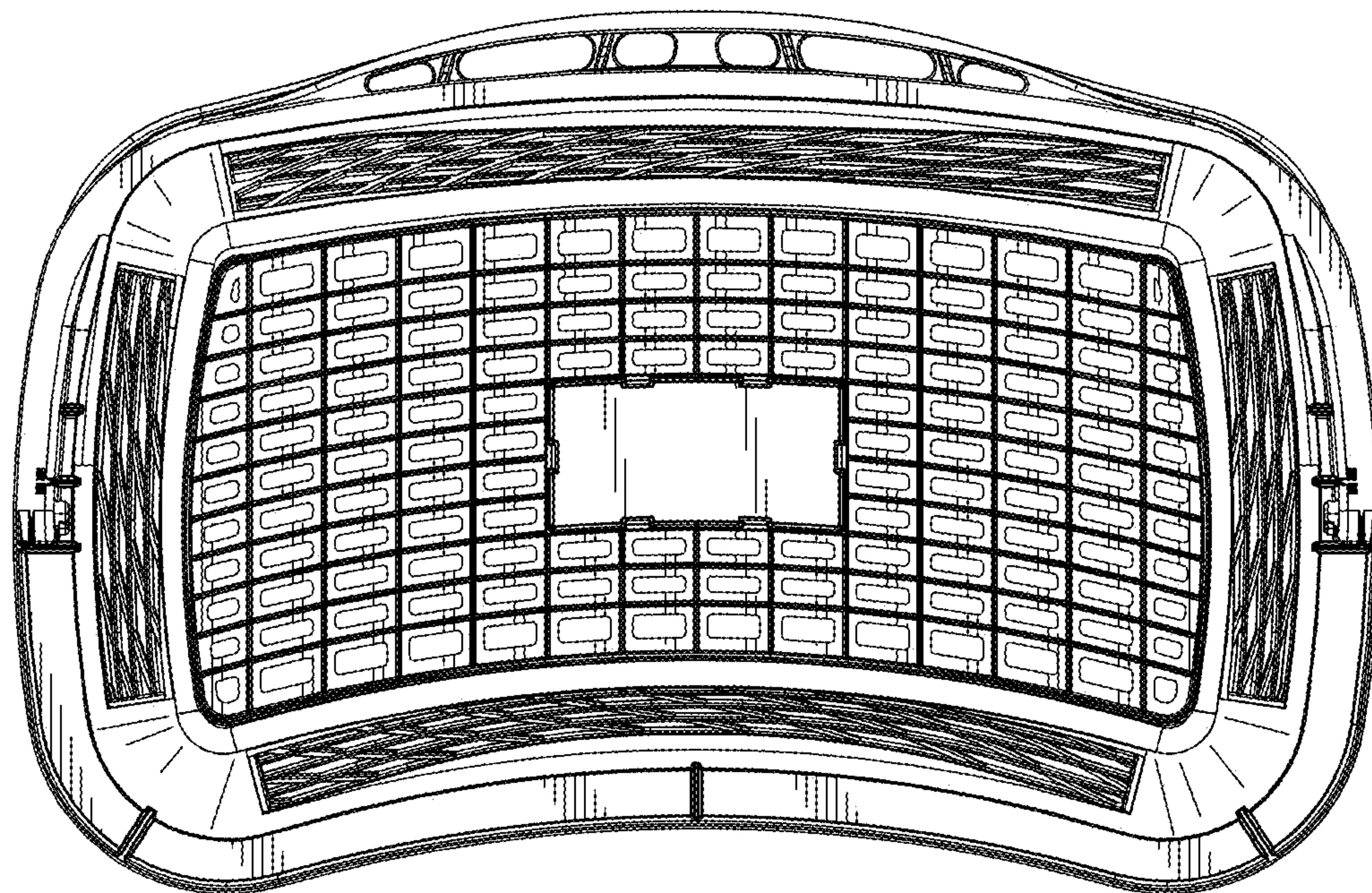


FIG. 4



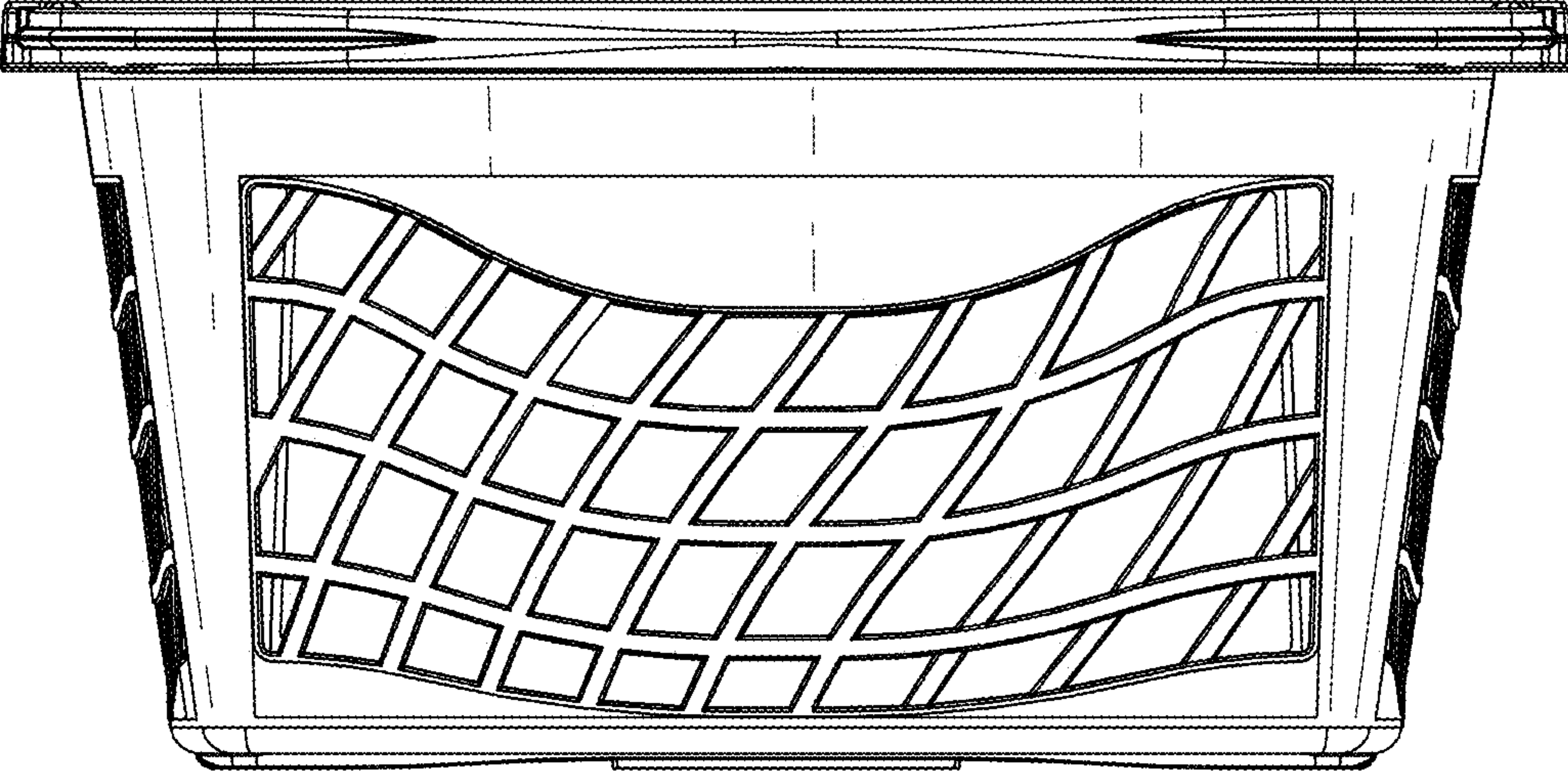


FIG. 5

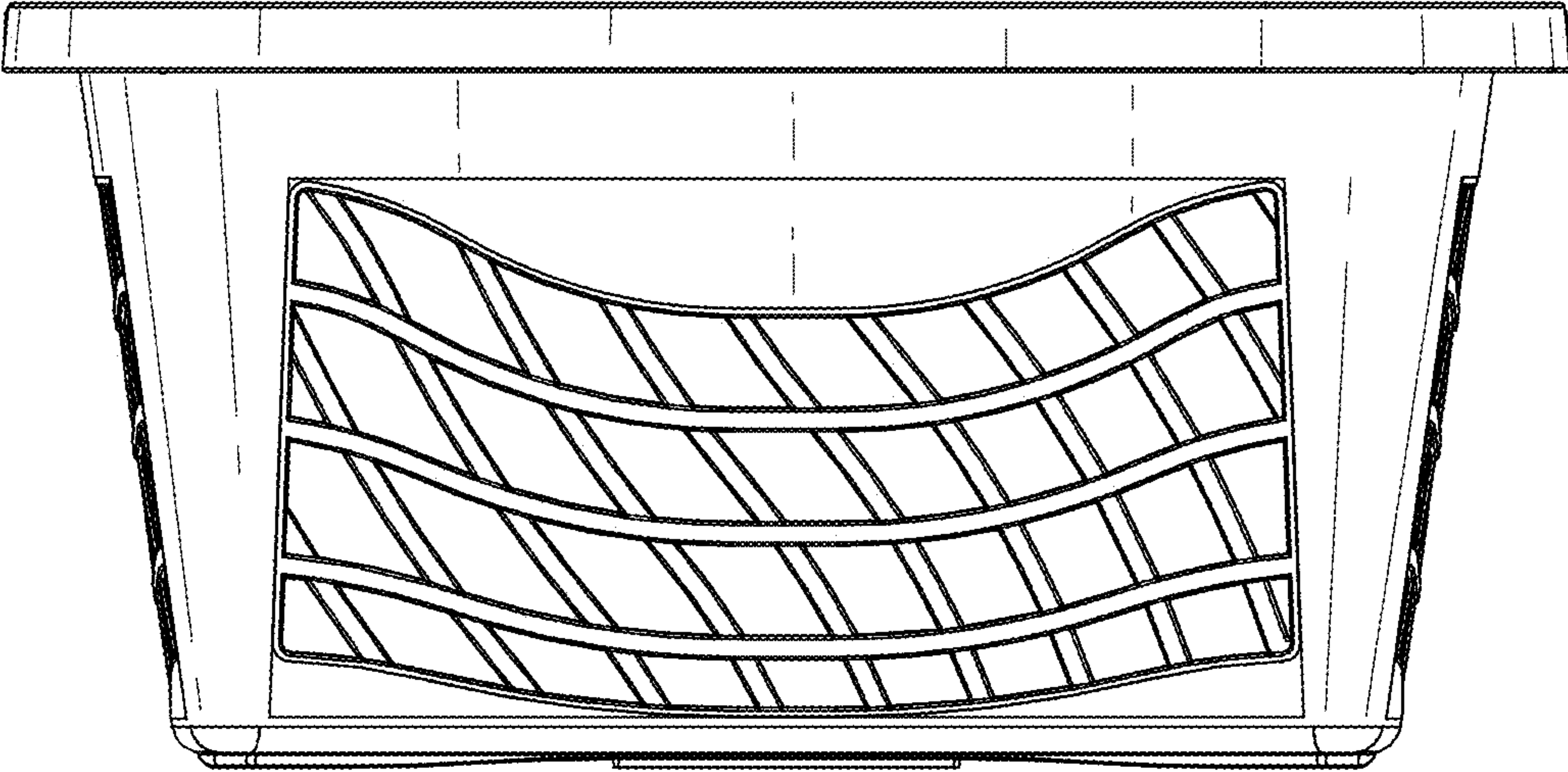


FIG. 6

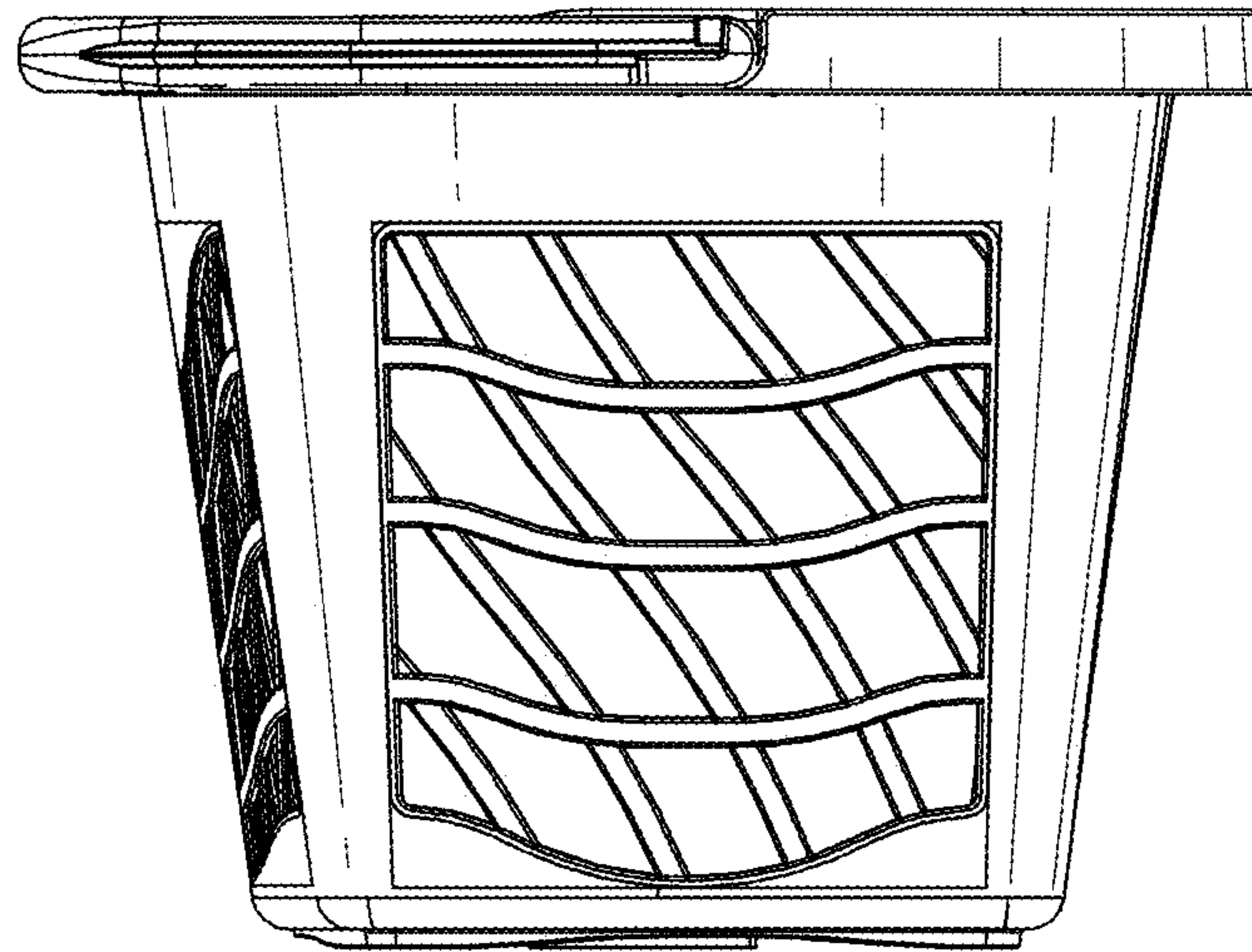


FIG. 7

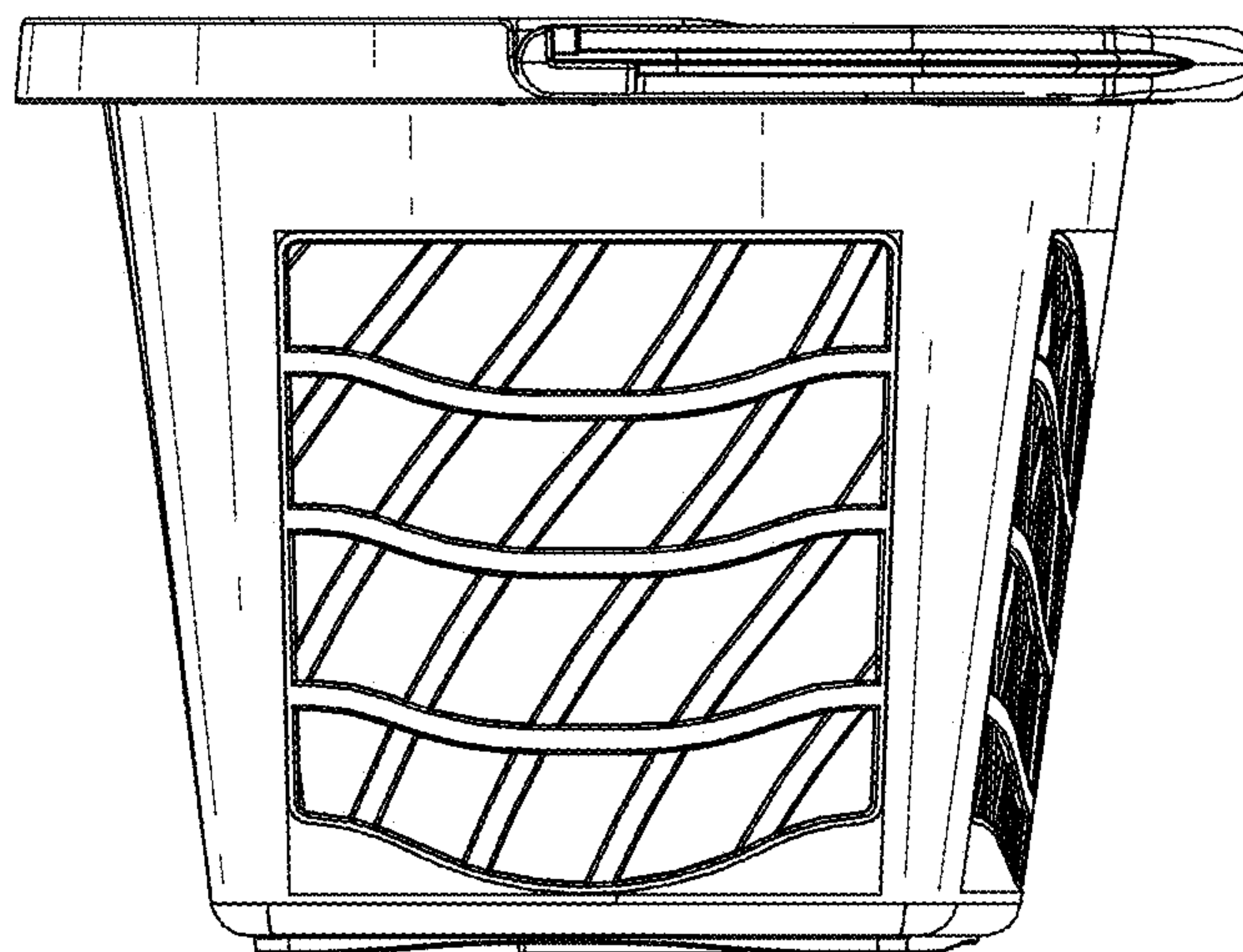


FIG. 8



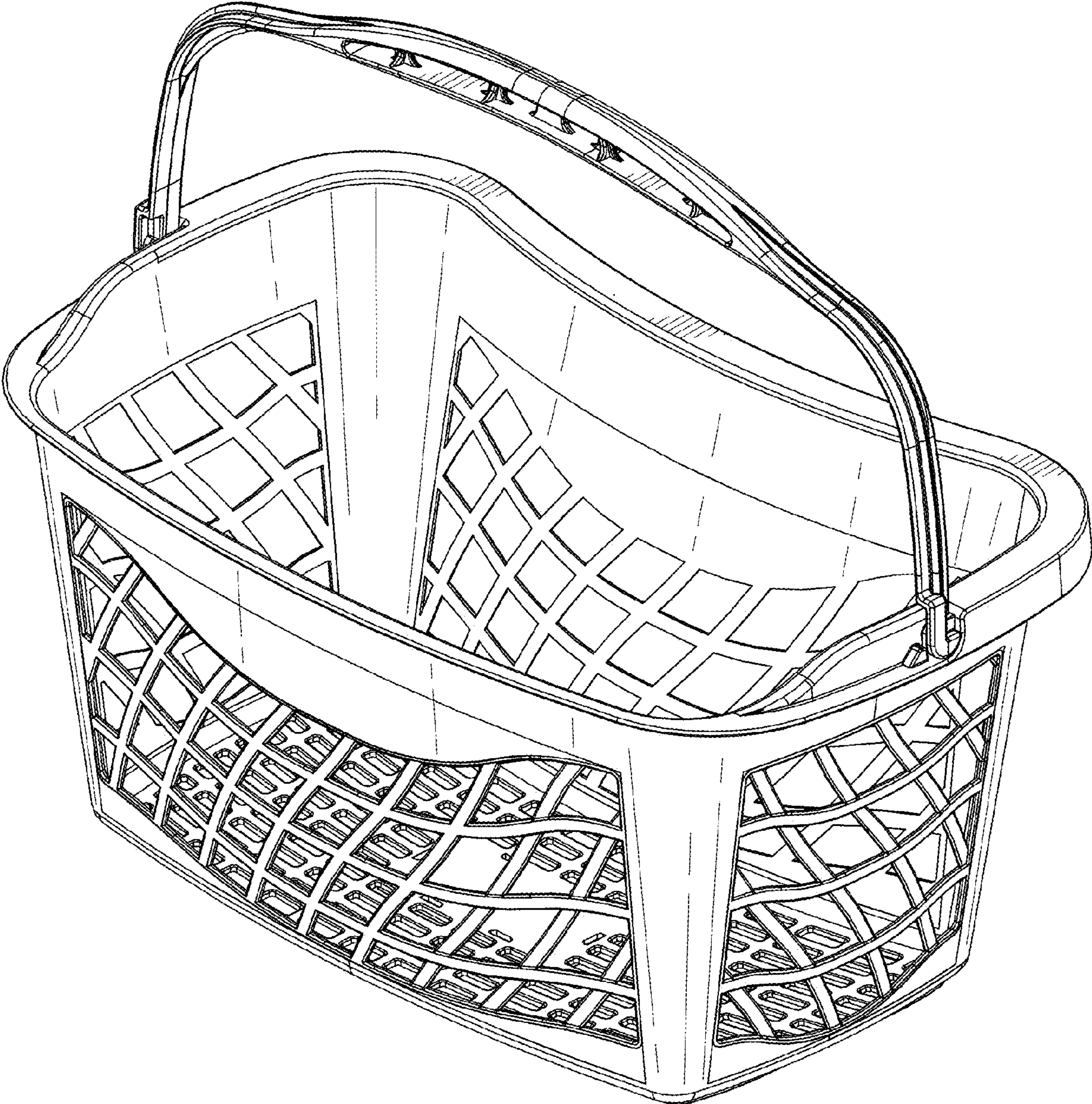


FIG. 9