



US00D882950S

(12) **United States Design Patent** (10) **Patent No.:** **US D882,950 S**
Austin et al. (45) **Date of Patent:** **** May 5, 2020**

- (54) **TOOL BIT CONTAINER**
- (71) Applicant: **BLACK & DECKER INC.**, New Britain, CT (US)
- (72) Inventors: **Lauren Austin**, Owings Mills, MD (US); **Marco Lourenco**, Baltimore, MD (US)
- (73) Assignee: **BLACK & DECKER INC.**, New Britain, CT (US)
- (**) Term: **15 Years**
- (21) Appl. No.: **29/628,267**
- (22) Filed: **Dec. 4, 2017**
- (51) **LOC (12) Cl.** **03-01**
- (52) **U.S. Cl.**
USPC **D3/294; D3/905**
- (58) **Field of Classification Search**
USPC D3/272, 273, 274, 275, 276, 281, 284, D3/292, 294, 306, 905; D9/414, 418, D9/420-423, 432
CPC .. A45C 5/00; A45C 5/04; A45C 11/00; A45C 11/16
See application file for complete search history.

5,934,466 A	8/1999	Loeffler	
6,082,539 A	7/2000	Lee	
6,271,320 B1	8/2001	Keller et al.	
6,349,827 B1	2/2002	Feder	
6,543,613 B2	4/2003	Belanger	
D477,714 S *	7/2003	Cunningham	D3/273
D481,868 S *	11/2003	Cunningham	D3/273
6,868,967 B2	3/2005	Lam	
D516,808 S *	3/2006	Brunson	D3/273
D527,523 S *	9/2006	Cornwell	D3/294
D528,793 S	9/2006	Cornwell et al.	
D530,092 S *	10/2006	Roesler	D3/294
7,219,969 B2	5/2007	Bezzubov	
7,237,673 B2	7/2007	Wikle et al.	
D552,352 S *	10/2007	Lin	D3/294
7,322,470 B2	1/2008	Brunson	
D563,102 S	3/2008	Cornwell et al.	

(Continued)

FOREIGN PATENT DOCUMENTS

DE	3517308 A1	9/1985
DE	202014105326 U1	12/2014
EP	1736416 A2	12/2006

Primary Examiner — Holly E Thurman
 (74) *Attorney, Agent, or Firm* — Scott B. Markow

(57) **CLAIM**

The ornamental design for a tool bit container, as shown and described.

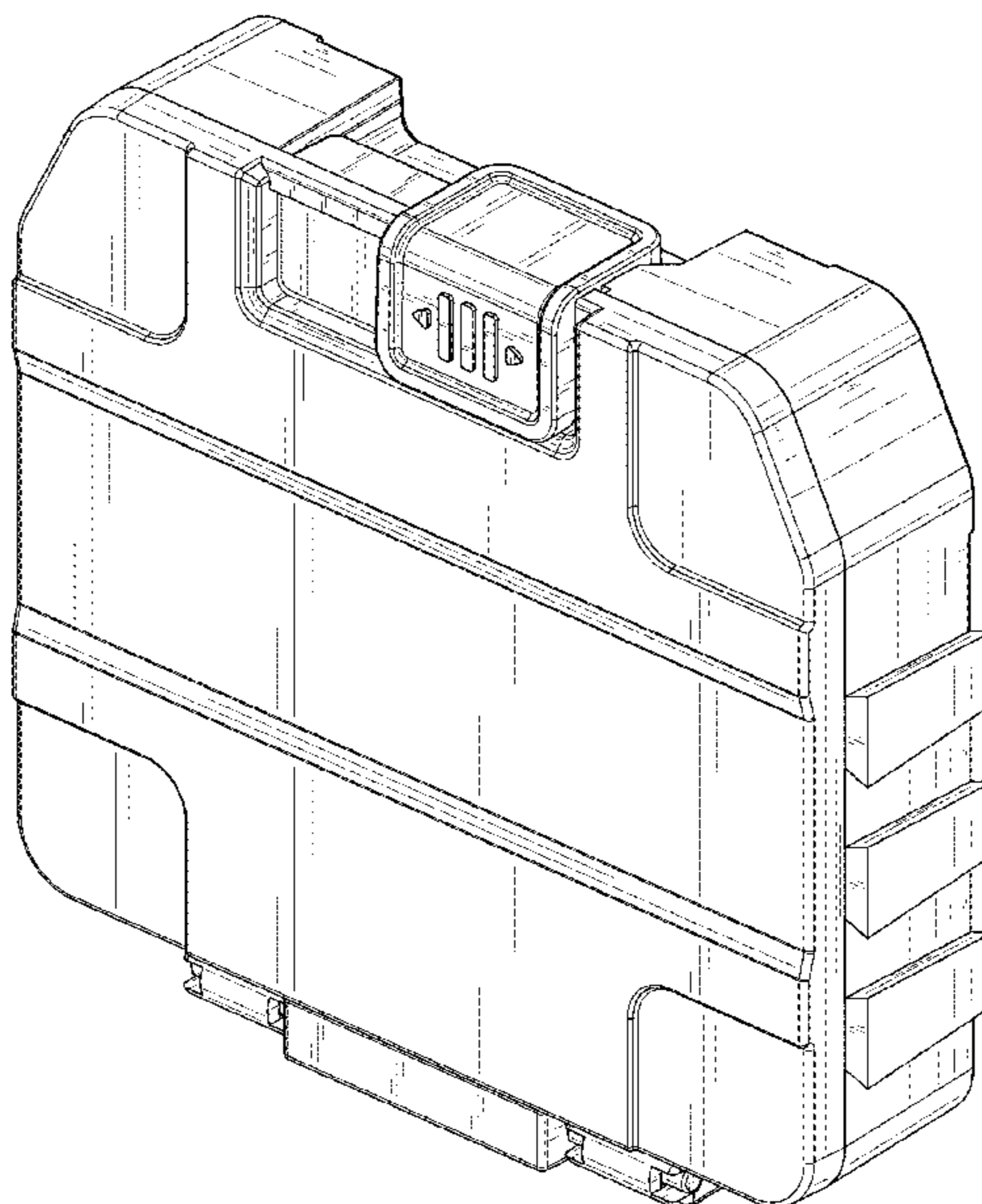
DESCRIPTION

FIG. 1 is a perspective view of a first embodiment of a tool bit container.
 FIG. 2 is a front view of the tool bit container of FIG. 1.
 FIG. 3 is a rear view of the tool bit container of FIG. 1.
 FIG. 4 is a left view of the tool bit container of FIG. 1.
 FIG. 5 is a right view of the tool bit container of FIG. 1.
 FIG. 6 is a top view of the tool bit container of FIG. 1; and,
 FIG. 7 is a bottom view of the tool bit container of FIG. 1.

1 Claim, 5 Drawing Sheets

(56) **References Cited**
 U.S. PATENT DOCUMENTS

263,561 A	8/1882	Mower	
4,619,363 A *	10/1986	Wolfseder	B65D 21/0224 206/372
4,643,494 A	2/1987	Marleau	
4,863,222 A	9/1989	Posso	
5,570,784 A	11/1996	Sidabras et al.	
5,617,953 A	4/1997	Cope	
5,803,254 A	9/1998	Vasudeva	
5,887,715 A	3/1999	Vasudeva	
5,890,613 A	4/1999	Williams	



(56)

References Cited

U.S. PATENT DOCUMENTS

D563,670 S	3/2008	Cornwell et al.		8,979,100 B2	3/2015	Bensman et al.	
D563,671 S	3/2008	Cornwell et al.		D733,429 S *	7/2015	Grenier	D3/294
D563,672 S *	3/2008	Cornwell	D3/294	D738,106 S *	9/2015	Shitrit	D3/276
D569,616 S *	5/2008	Lin	D3/273	9,469,024 B2	10/2016	Bensman et al.	
D569,617 S *	5/2008	Lin	D3/282	D773,184 S *	12/2016	Ko	D3/274
D572,479 S *	7/2008	Buck	D3/282	D781,584 S	3/2017	Kinsky	
D578,759 S *	10/2008	Grenier	D3/294	9,725,209 B1 *	8/2017	Ben-Gigi	B25H 3/02
D599,112 S *	9/2009	Wenchel	D3/294	D805,775 S *	12/2017	Tsai	D3/298
D600,015 S *	9/2009	Wenchel	D3/294	RE47,022 E *	9/2018	Sosnovsky	B25H 3/02
7,690,856 B2	4/2010	Mortensen		D858,103 S *	9/2019	Seibert	D3/294
D645,663 S	9/2011	Henley et al.		D872,479 S *	1/2020	Seibert	D3/294
D648,531 S	11/2011	Finnigan et al.		D873,019 S *	1/2020	Seibert	D3/294
8,322,354 B2	12/2012	Parker		D874,143 S *	2/2020	Seibert	D3/294
8,459,495 B2	6/2013	Koenig et al.		D874,823 S *	2/2020	Christen	D3/294
8,505,729 B2 *	8/2013	Sosnovsky	B25H 3/021 206/503	2002/0179473 A1	12/2002	Chao	
8,561,679 B2	10/2013	Andochick		2003/0094392 A1 *	5/2003	Meier	B25H 3/021 206/503
8,590,704 B2	11/2013	Koenig et al.		2004/0188322 A1	9/2004	Chen	
8,602,217 B2 *	12/2013	Sosnovsky	B25H 3/021 206/503	2011/0155613 A1 *	6/2011	Koenig	B65D 21/0223 206/503
8,714,355 B2	5/2014	Huang		2012/0152944 A1	6/2012	Vilkomirski et al.	
8,875,888 B2	11/2014	Koenig et al.		2015/0353231 A1	10/2015	Brunner	
				2016/0075010 A1	3/2016	Gonzalez et al.	
				2016/0194115 A1	7/2016	Stuart et al.	

* cited by examiner

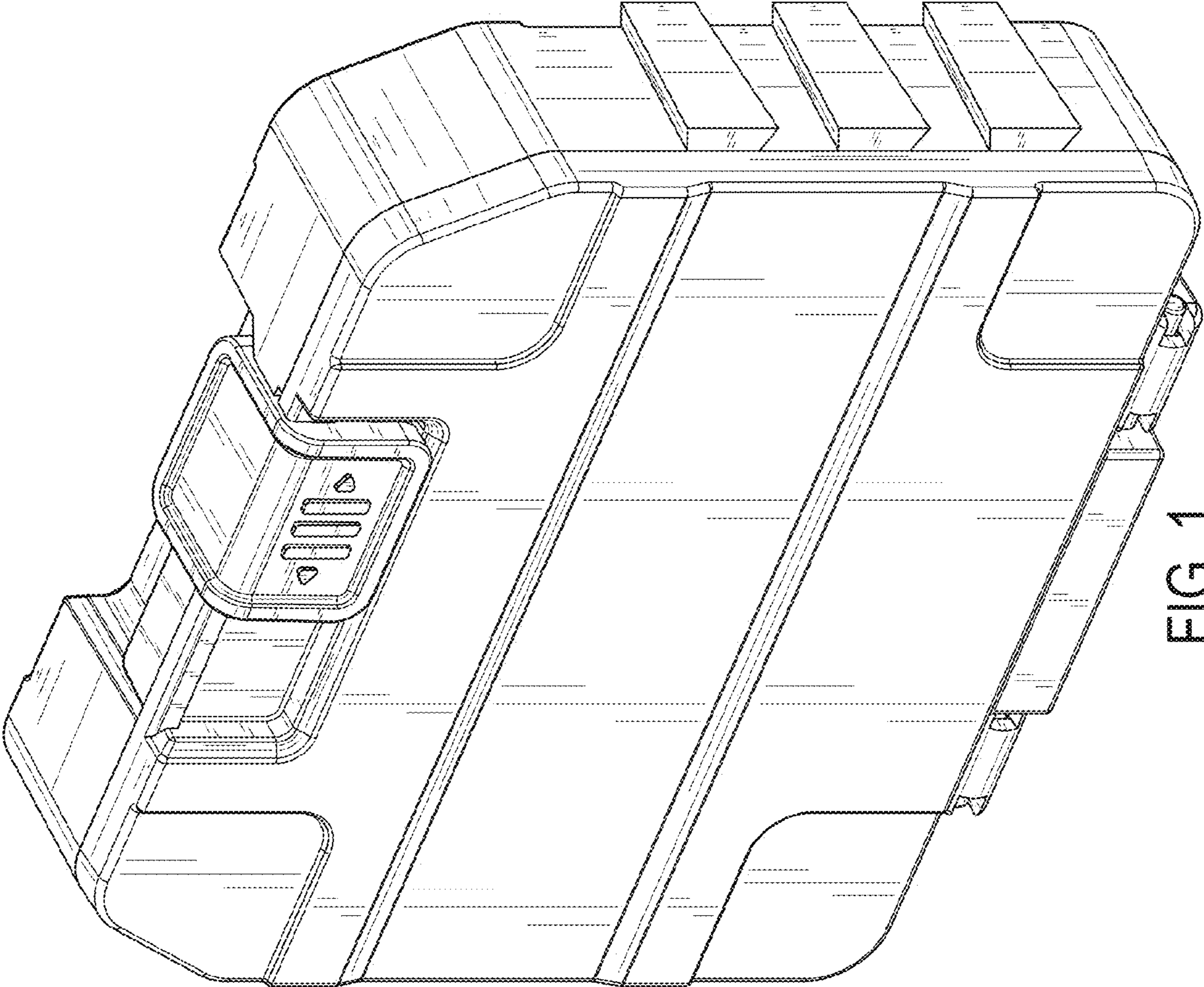


FIG. 1

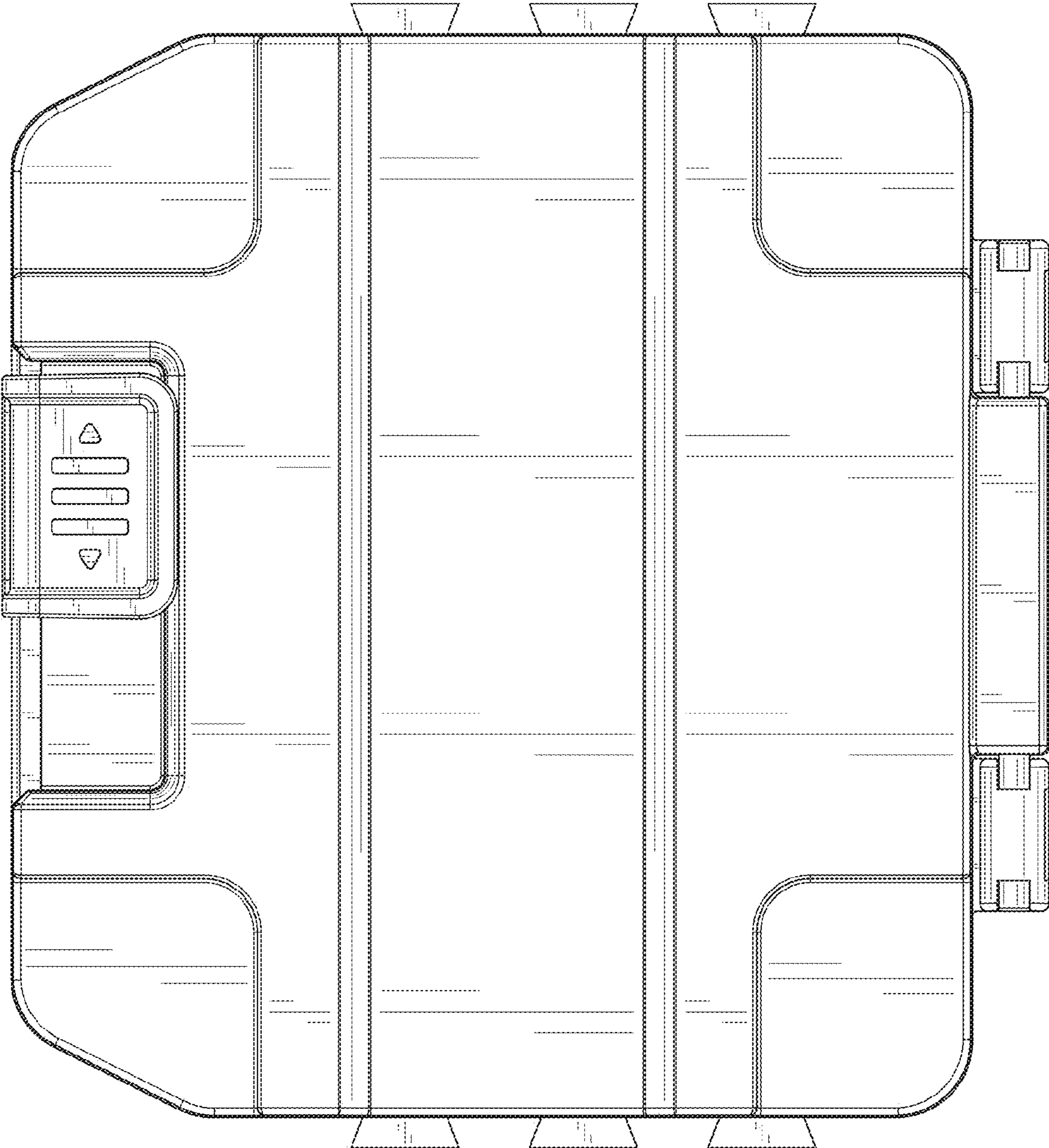


FIG. 2

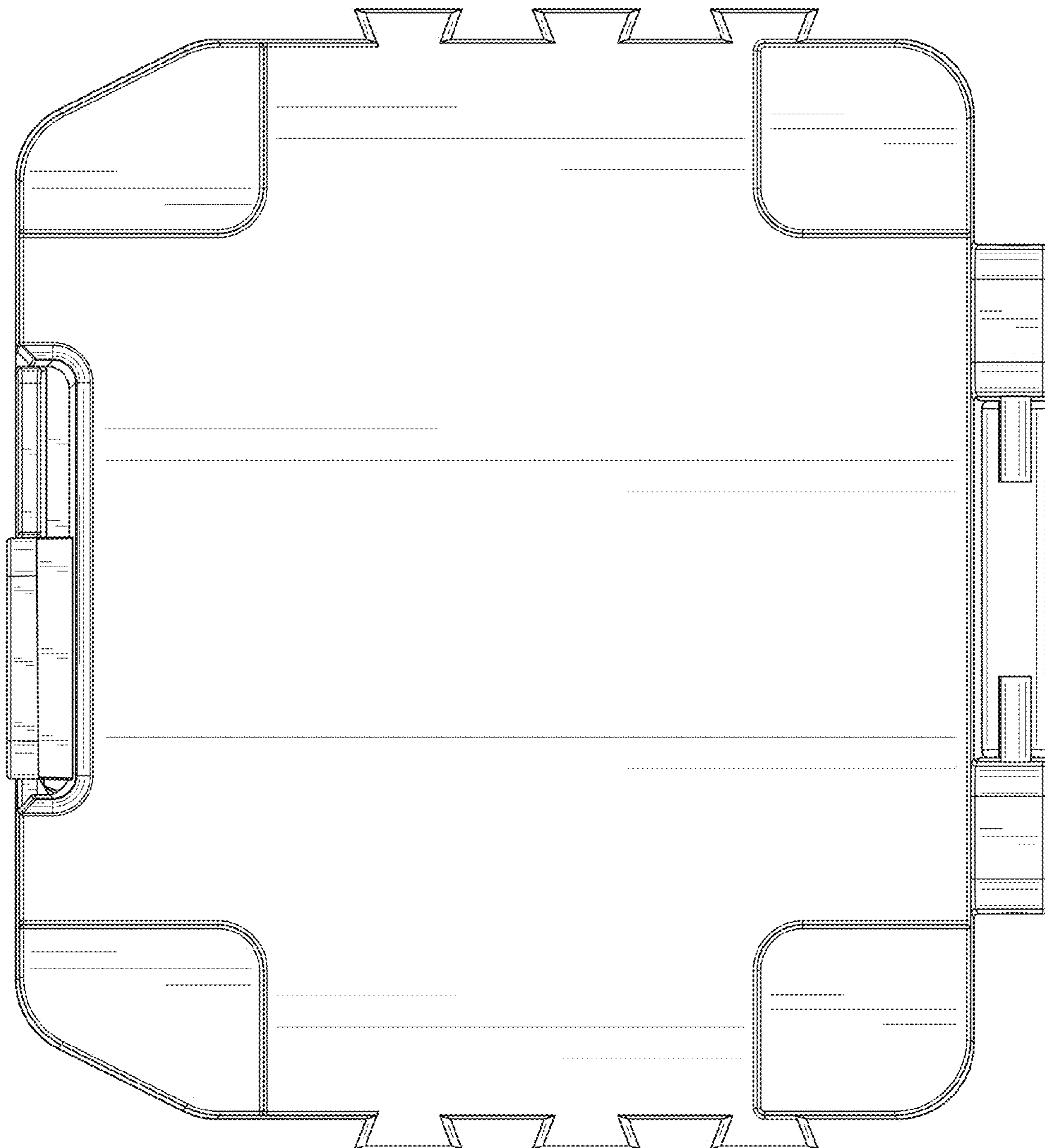


FIG. 3

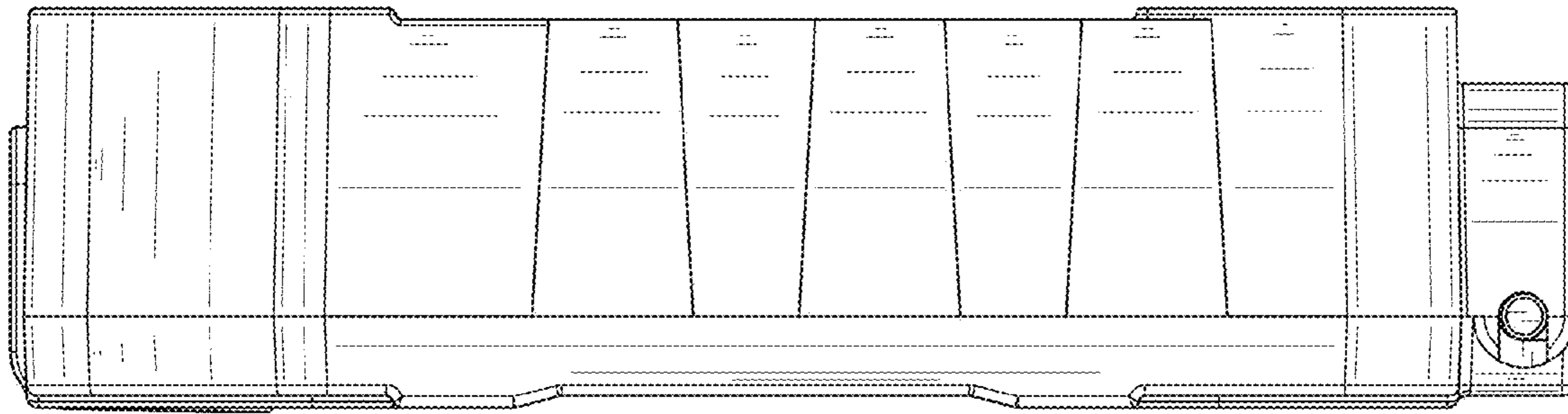


FIG. 5

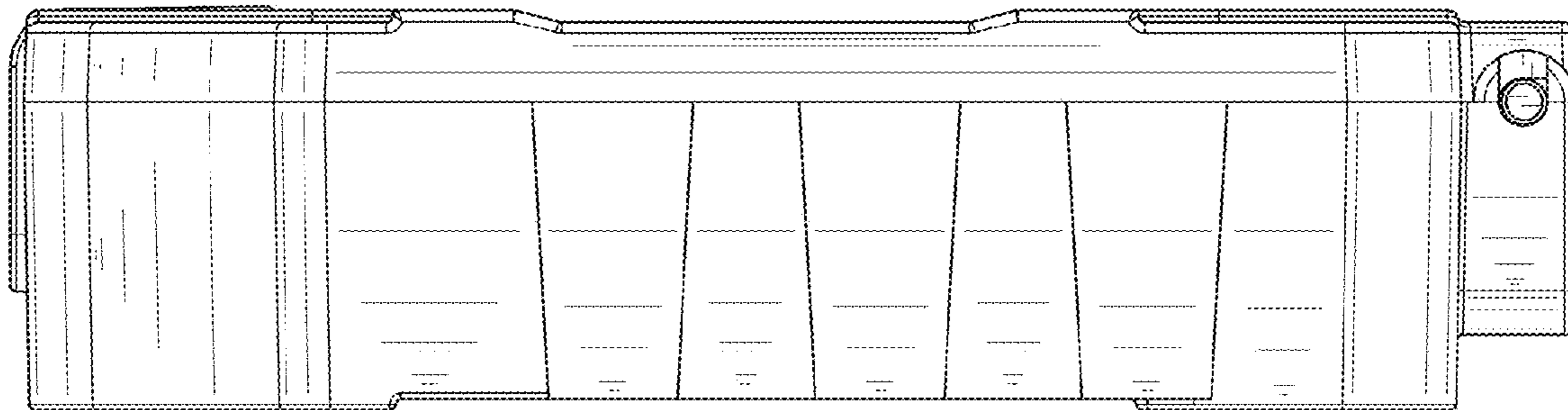


FIG. 4

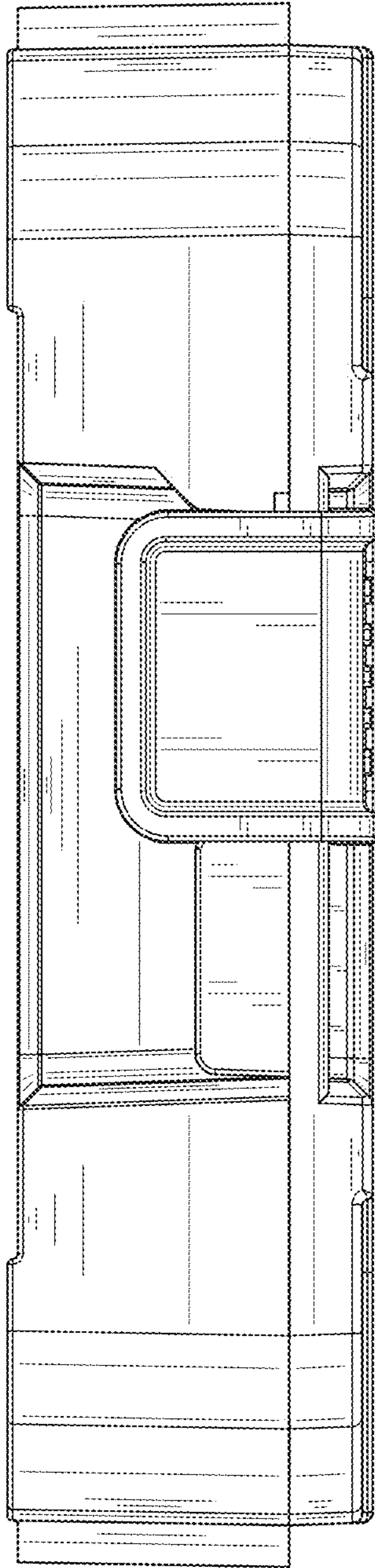


FIG. 6

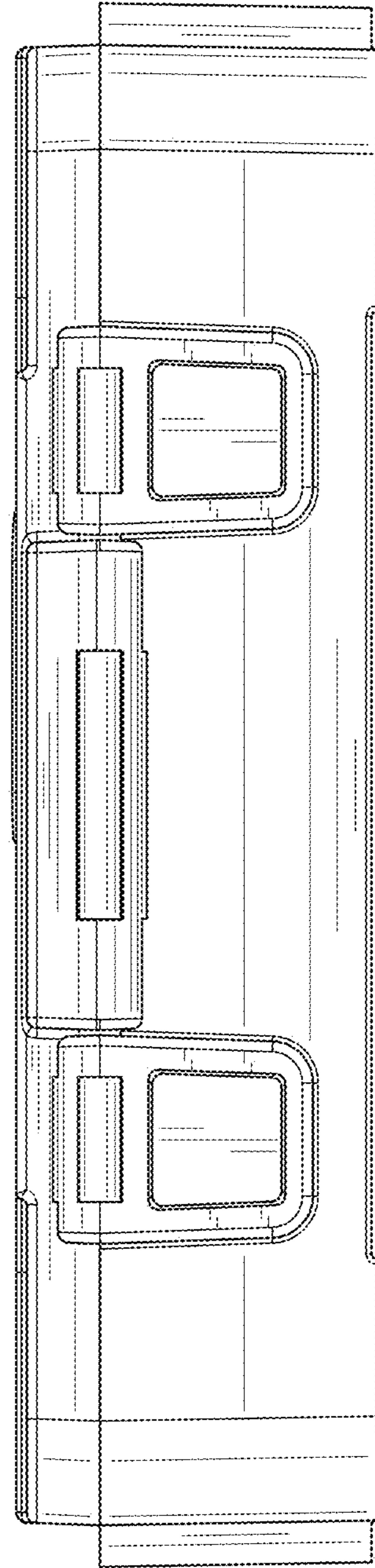


FIG. 7