



US00D882949S

(12) **United States Design Patent** (10) **Patent No.:** **US D882,949 S**
Wang (45) **Date of Patent:** **** May 5, 2020**

(54) **SEWING MACHINE CARRYING BAG**

D665,169 S * 8/2012 Filip D3/283
D776,921 S * 1/2017 Bennetts D3/232
D805,299 S * 12/2017 Zhang D3/283
D844,323 S * 4/2019 Shuai D3/274

(71) Applicant: **Jiben Wang**, Xiamen Fujian Province (CN)

(72) Inventor: **Jiben Wang**, Xiamen Fujian Province (CN)

(**) Term: **15 Years**

(21) Appl. No.: **29/694,899**

(22) Filed: **Jun. 14, 2019**

(51) **LOC (12) Cl.** **03-01**

(52) **U.S. Cl.**

USPC **D3/283**; D3/289

(58) **Field of Classification Search**

USPC D3/20, 201, 203.6, 206, 233, 267, 271.1, D3/273, 274, 276, 283, 284, 285, 287, D3/289, 295, 900, 901, 905, 301
CPC B25H 3/003; B25H 3/02; A45C 11/00; A45C 2013/025; A45C 11/38; A45C 11/34; A45C 5/005; A45C 2003/008; A45C 3/00

See application file for complete search history.

(56) **References Cited**

U.S. PATENT DOCUMENTS

D231,869 S * 6/1974 Ohyama D3/283
D257,906 S * 1/1981 Weinreb D3/268
D264,266 S * 5/1982 Cooper D3/287
D280,044 S * 8/1985 Allen D3/283
D314,276 S * 2/1991 Nordstrom D3/287
5,054,589 A * 10/1991 Bomes A45C 3/00
190/110
5,295,565 A * 3/1994 Latshaw A45C 5/14
190/102
D472,385 S 4/2003 Bauer
D500,594 S * 1/2005 Zapata D3/219
D526,484 S 8/2006 Flint
D543,027 S 5/2007 Wang

OTHER PUBLICATIONS

Amazon, "Kenley Sewing Machine Tote Bag . . . ", First reviewed Aug. 25, 2016. (<https://www.amazon.com/Kenley-Sewing-Machine-Tote-Bag/dp/B01H42DWEC>) (Year: 2016).*

Amazon, "HOMEST Sewing Machine Carrying Case . . . ", First reviewed Jul. 20, 2019. (<https://www.amazon.com/HOMEST-Carrying-Universal-Shoulder-Compatible/dp/B07Y8CSNC2>) (Year: 2019).*

Everything Mary, "Deluxe Sewing Machine Carrying Tote, 2019 Original", First reviewed Apr. 5, 2019. (<https://everythingmary.com/products/deluxe-sewing-machine-carrying-tote-2019-blue?variant=14077172875308>) (Year: 2019).*

* cited by examiner

Primary Examiner — April Rivas

(57) **CLAIM**

The ornamental design for a sewing machine carrying bag, as shown and described.

DESCRIPTION

FIG. 1 is a front perspective view of a sewing machine carrying bag showing my new design;

FIG. 2 is a front view thereof;

FIG. 3 is a back view thereof;

FIG. 4 is a left view thereof;

FIG. 5 is a right view thereof;

FIG. 6 is a top side view thereof; and,

FIG. 7 is a bottom side view thereof.

The broken lines illustrate portions of the sewing machine carrying bag and form no part of the claimed design.

1 Claim, 7 Drawing Sheets





FIG. 1

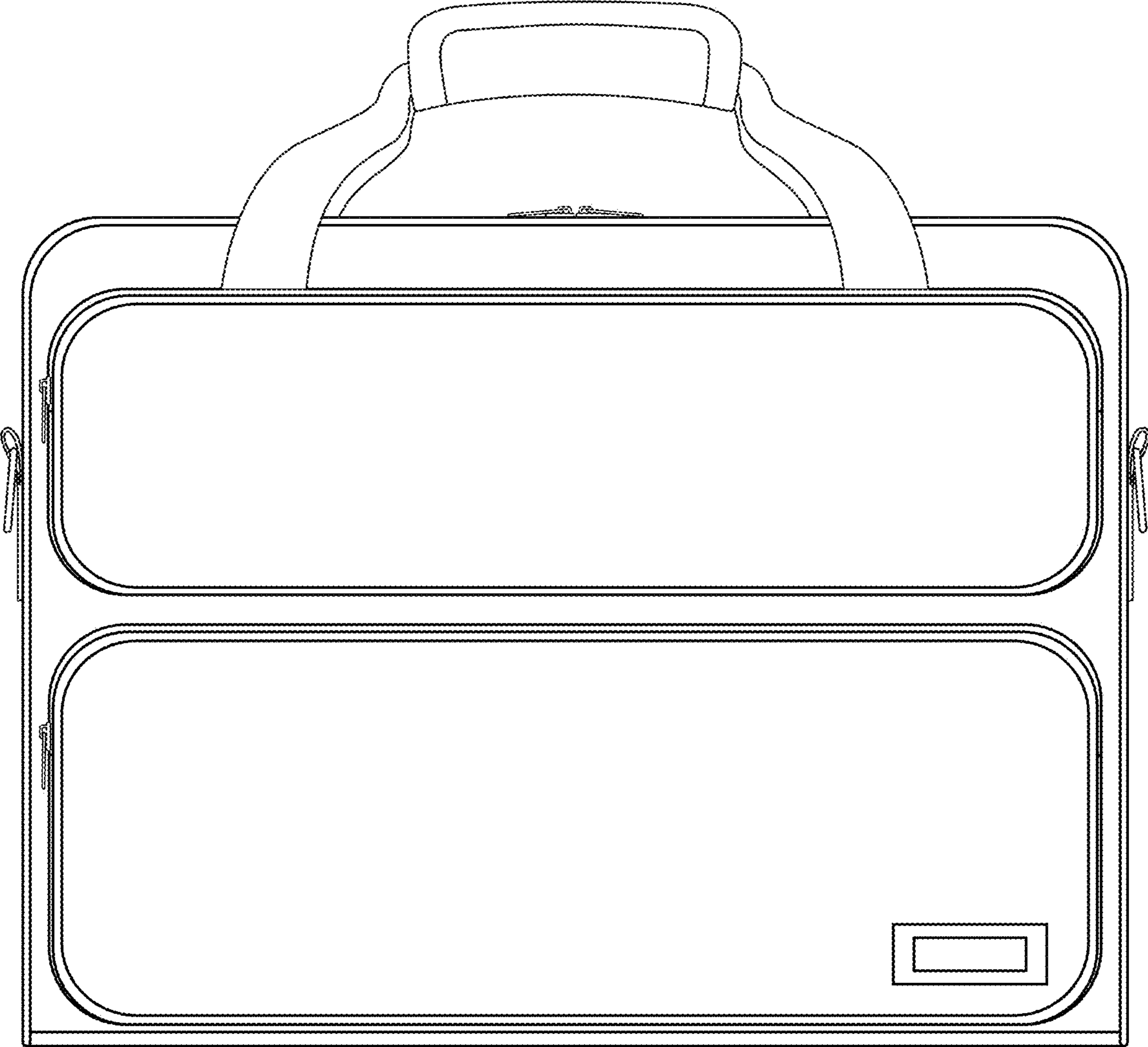


FIG. 2

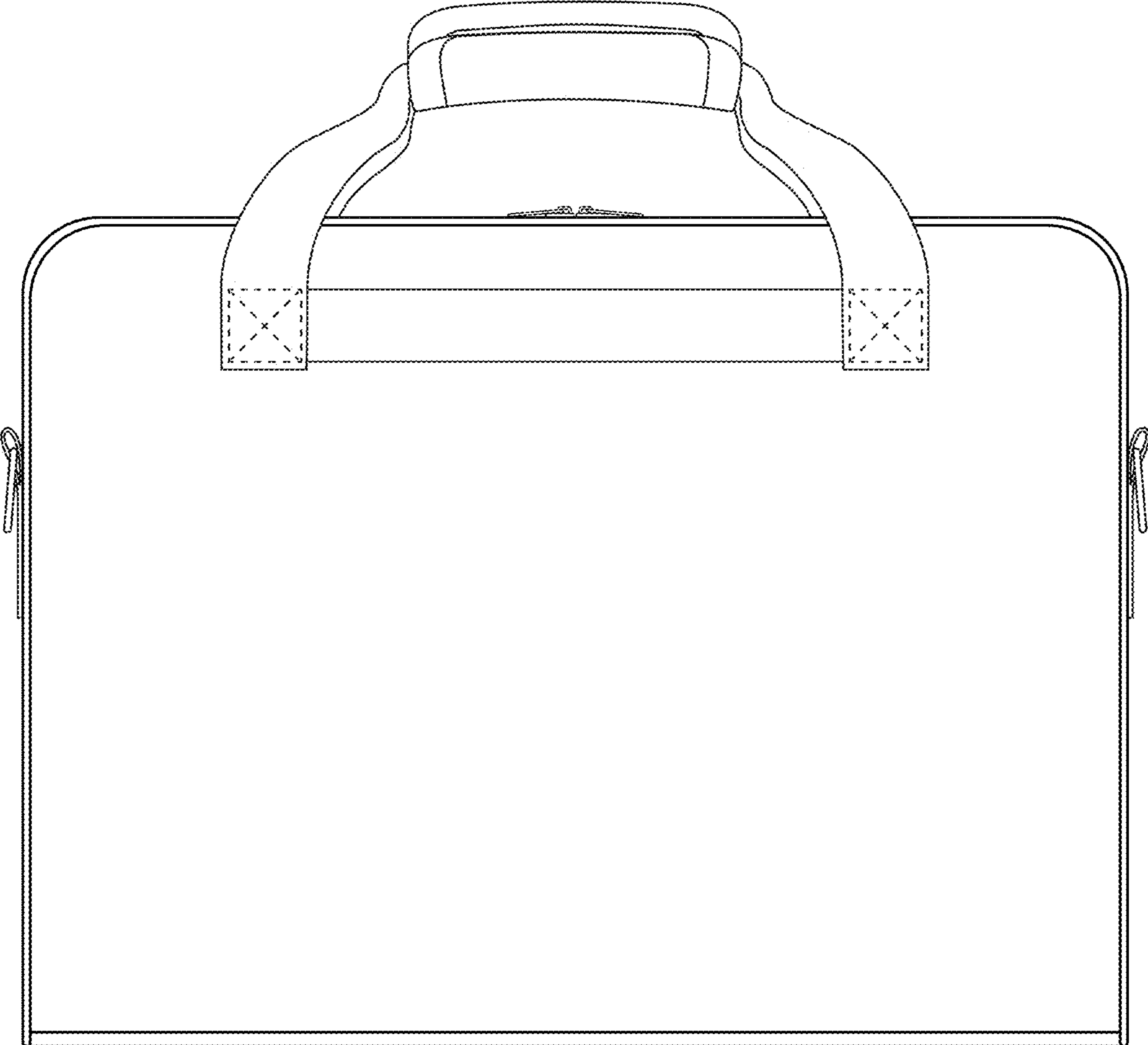


FIG. 3

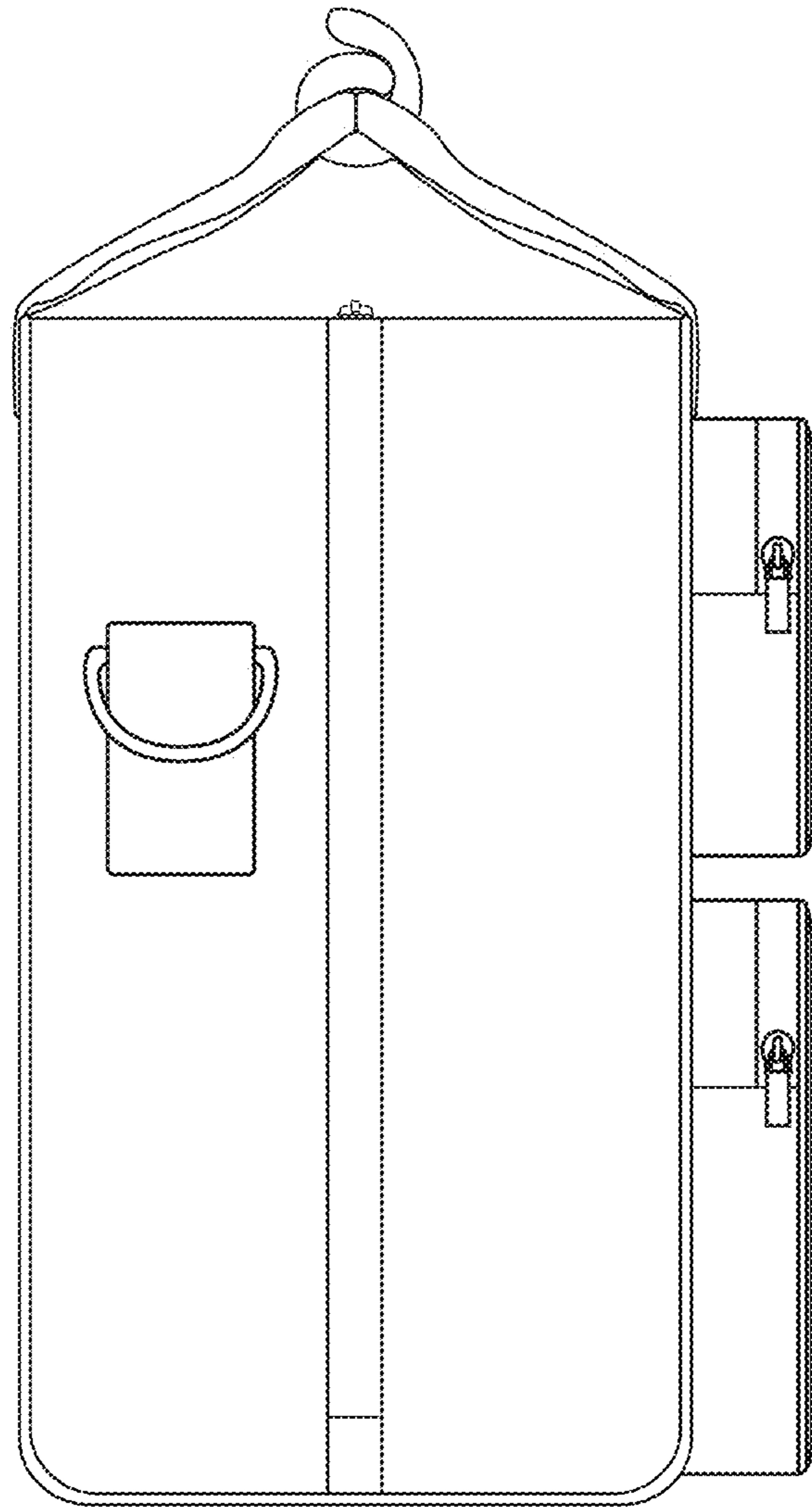


FIG. 4

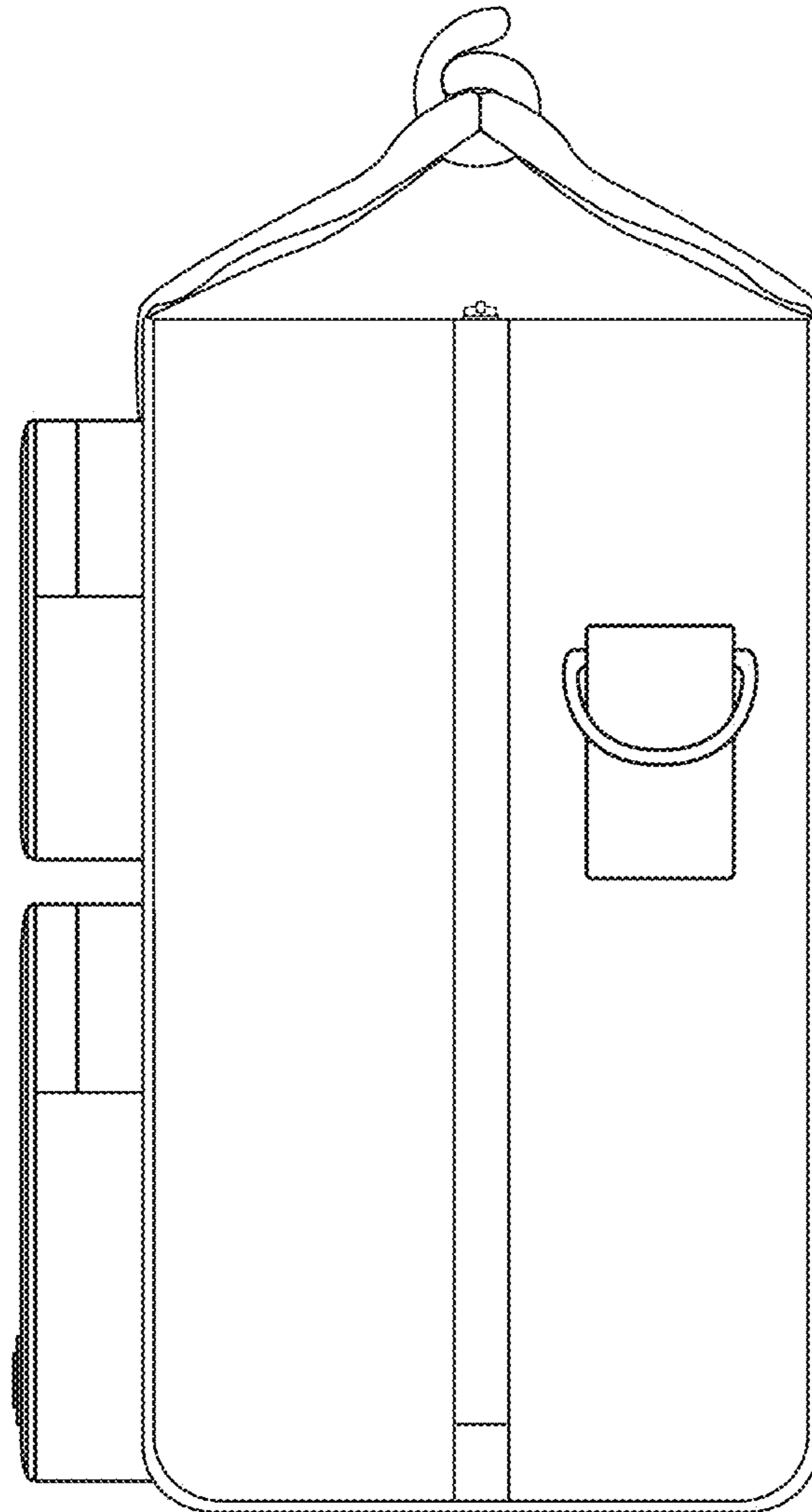


FIG. 5

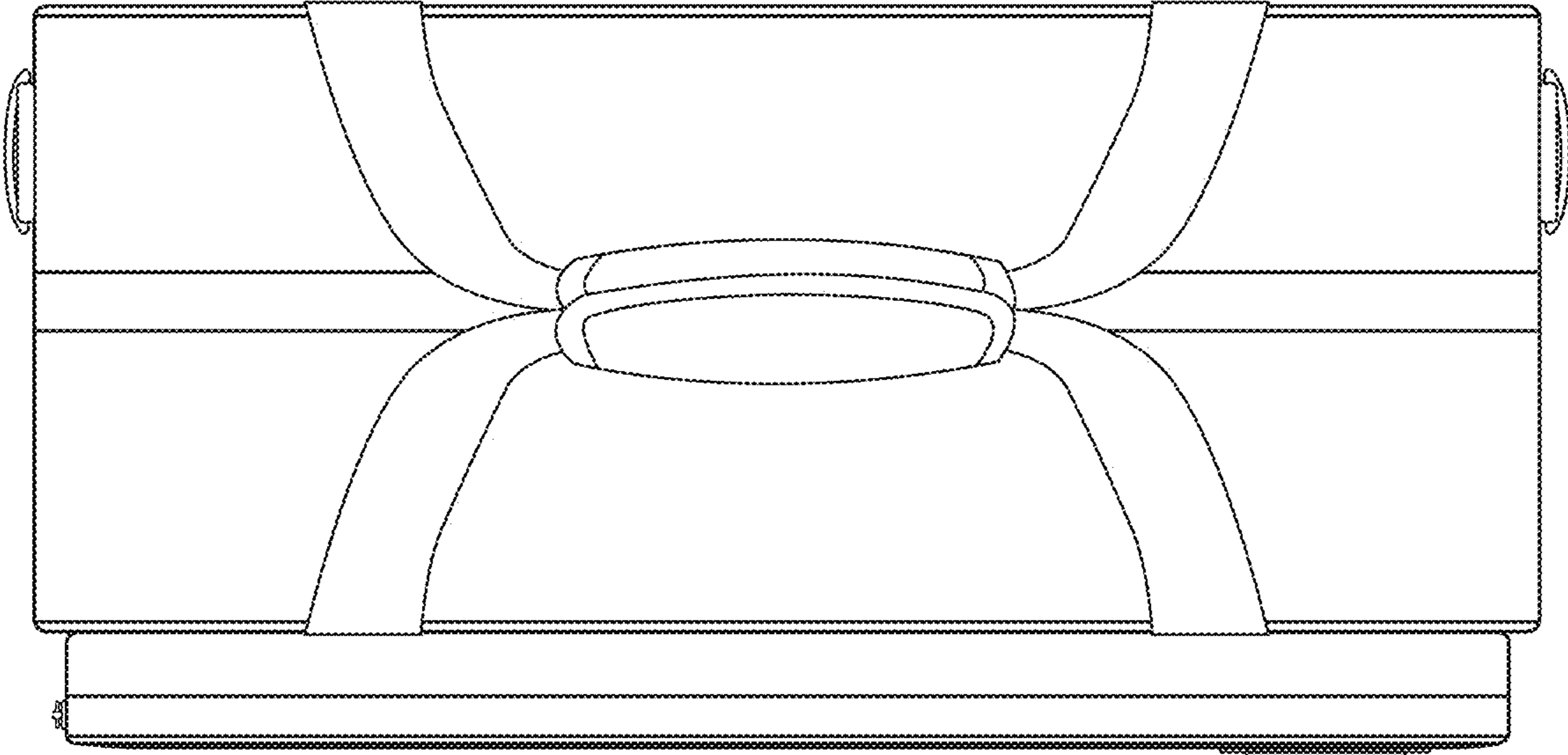


FIG. 6

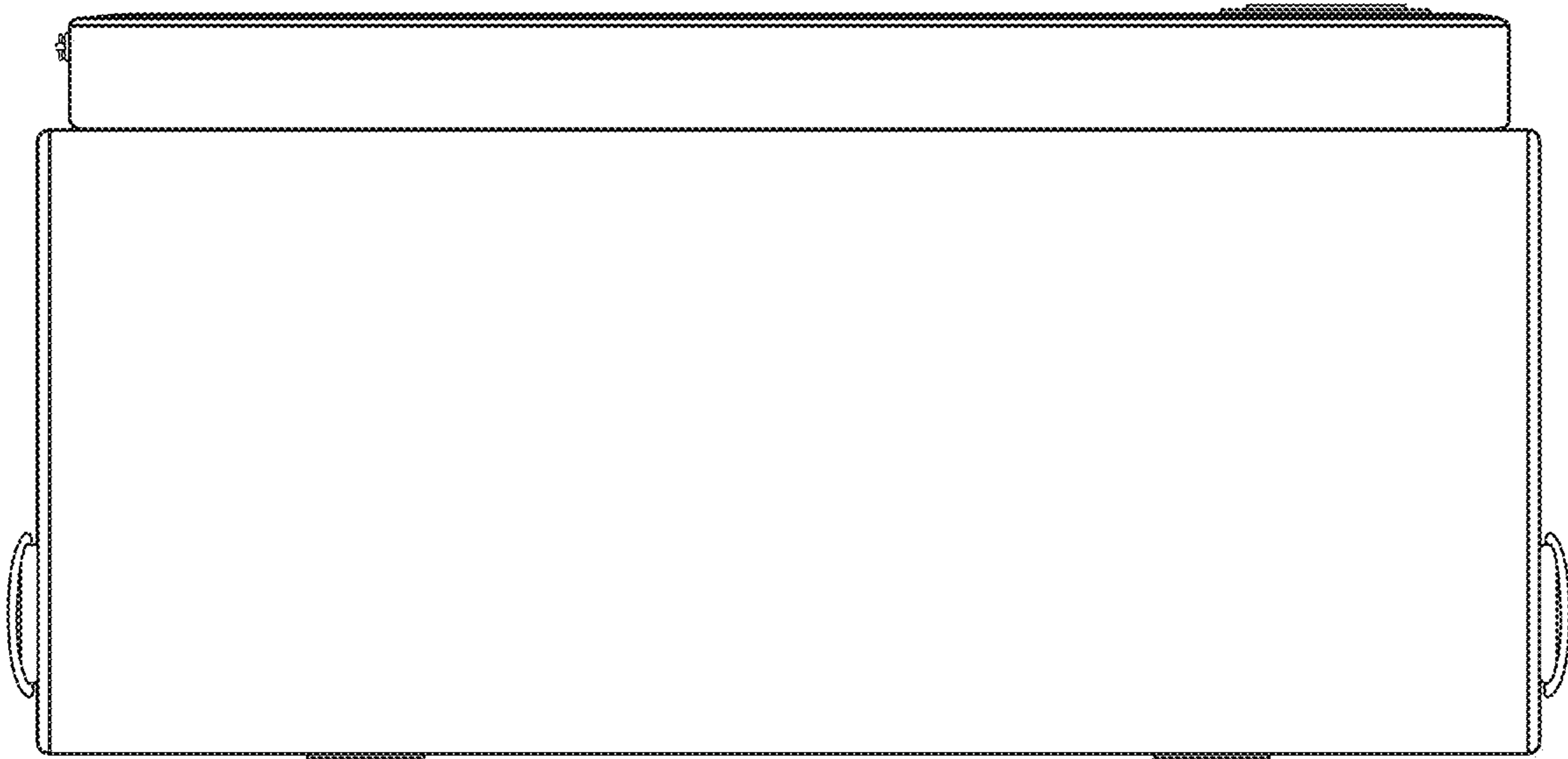


FIG. 7