



US00D882946S

(12) **United States Design Patent** (10) **Patent No.:** **US D882,946 S**  
**Gonzalez** (45) **Date of Patent:** **\*\* May 5, 2020**

(54) **SHOULDER BAG**

(71) Applicant: **Mulberry Company (Design) Ltd,**  
Bath (GB)

(72) Inventor: **Victoria Gonzalez,** London (GB)

(73) Assignee: **MULBERRY COMPANY (DESIGN)**  
**LTD.,** Somerset (GB)

(\*\*) Term: **15 Years**

(21) Appl. No.: **35/507,025**

(22) Filed: **Jan. 4, 2019**

(80) **Hague Agreement Data**

Int. Filing Date: **Jan. 4, 2019**  
Int. Reg. No.: **DM/201243**  
Int. Reg. Date: **Jan. 4, 2019**  
Int. Reg. Pub. Date: **Jul. 5, 2019**

(30) **Foreign Application Priority Data**

Jul. 6, 2018 (EM) ..... 005468063

(51) **LOC (12) Cl.** ..... **03-01**

(52) **U.S. Cl.**  
USPC ..... **D3/232**

(58) **Field of Classification Search**

USPC ..... D3/232-246  
CPC ..... A45C 11/00; A45C 13/08; A45C 13/26;  
A45C 1/06; A45C 2009/007; A45C  
2011/002; A45C 7/0063; A45C 11/08;  
A45C 11/182; A45C 11/32; A45C 11/321;  
A45C 11/325; A45C 11/326; A45C 11/38;  
A45C 13/008; A45C 13/02; A45C  
13/023; A45C 13/083; A45C 13/1046;  
A45C 13/262; A45C 13/28; A45C 13/36;  
A45C 15/00; A45C 1/02; A45C  
2001/026; A45C 2001/086; A45C  
2003/002; A45C 2005/037; A45C

2005/148; A45C 2011/003; A45C  
2013/1061; A45C 2013/267; A45C  
2200/20; A45C 3/00; A45C 3/001; A45C  
3/08; A45C 5/02; A45C 5/03; A45C 5/14;  
A45C 5/146; A45C 7/0045; A45C  
7/0068; A45C 9/00

See application file for complete search history.

(56) **References Cited**

U.S. PATENT DOCUMENTS

D715,540 S *	10/2014	Ghisellini	.....	D3/232
D757,430 S *	5/2016	Spaziani	.....	D3/243
D779,819 S *	2/2017	Maier	.....	D3/243
D803,554 S *	11/2017	Maier	.....	D3/243
D803,555 S *	11/2017	Maier	.....	D3/243
D818,706 S *	5/2018	Maier	.....	D3/232
D850,786 S *	6/2019	Maier	.....	D3/232
D864,561 S *	10/2019	Sassi	.....	D3/232
D877,500 S *	3/2020	Bettari	.....	D3/232

\* cited by examiner

*Primary Examiner* — Khawaja Anwar

(74) *Attorney, Agent, or Firm* — Shumaker, Loop &  
Kendrick, LLP; Patrick B. Horne

(57) **CLAIM**

The ornamental design for a shoulder bag, as shown and described.

**DESCRIPTION**

1. Shoulder bag  
FIG. 1.1 is a perspective view of a clutch bag, showing my new design;  
FIG. 1.2 is a front elevation view thereof;  
FIG. 1.3 is a rear elevation view thereof;  
FIG. 1.4 is a side elevation view thereof;  
FIG. 1.5 is another side elevation view thereof;  
FIG. 1.6 is a top plan view thereof; and  
FIG. 1.7 is bottom plan view thereof.

**1 Claim, 7 Drawing Sheets**



1.1



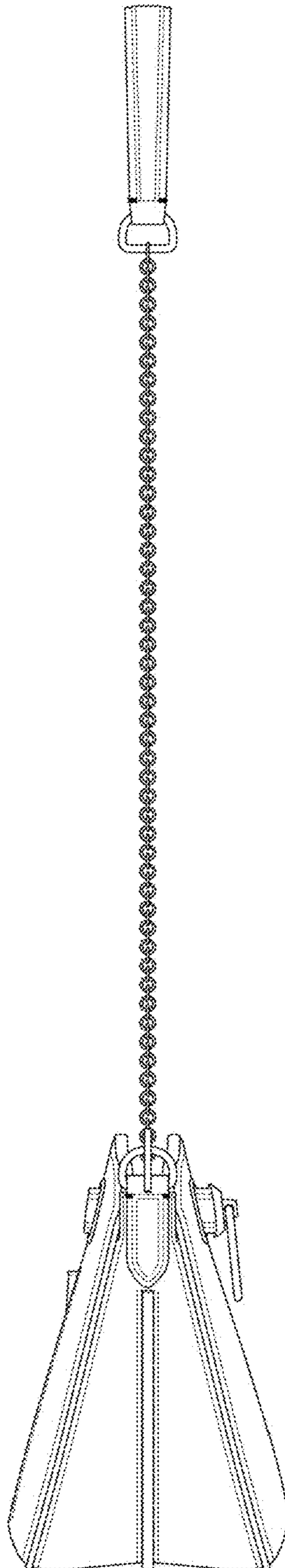
1.2



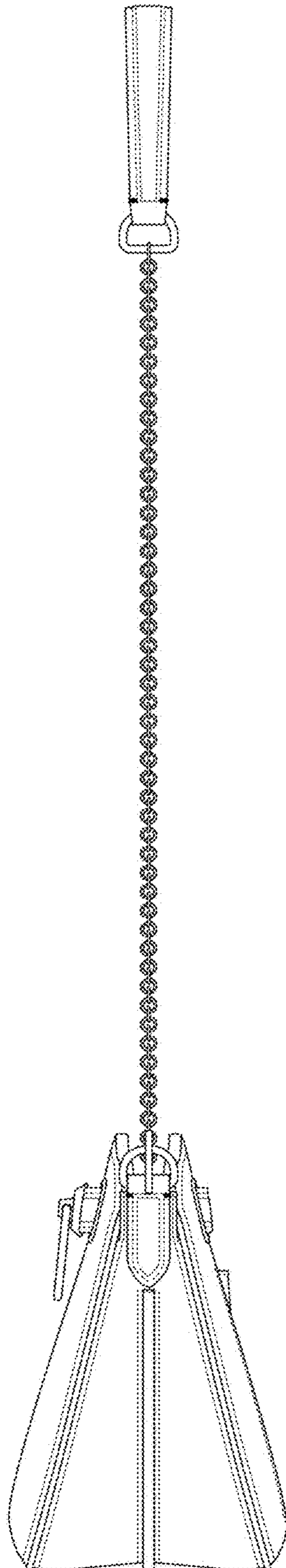
1.3



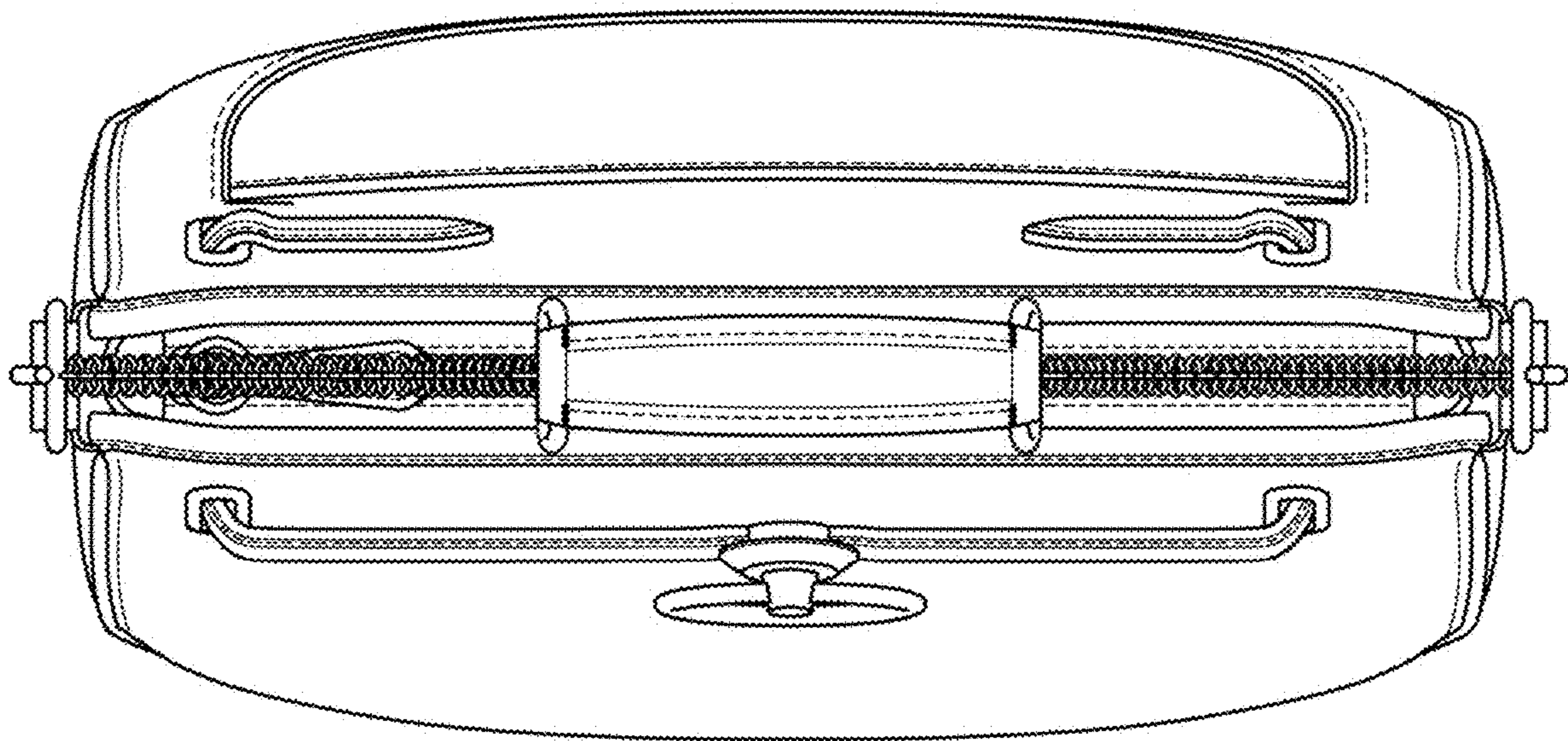
1.4



1.5



1.6



1.7

