



US00D882945S

(12) **United States Design Patent**
Dai

(10) **Patent No.:** **US D882,945 S**

(45) **Date of Patent:** **** May 5, 2020**

(54) **MESH BAG**

(71) Applicant: **ShenZhen YiHong Technology Co., LTD**, ShenZhen, Guangdong (CN)

(72) Inventor: **Yi Dai**, ShenZhen (CN)

(73) Assignee: **ShenZhen YIHONG Technology Co., LTD**, ShenZhen, Guangdong Province (CN)

(**) Term: **15 Years**

(21) Appl. No.: **29/711,913**

(22) Filed: **Nov. 4, 2019**

(51) **LOC (12) Cl.** **03-01**

(52) **U.S. Cl.**
USPC **D3/232**

(58) **Field of Classification Search**
USPC D3/232–233, 240–243, 245–246
CPC A45C 1/024; A45C 3/06; B65D 33/22
See application file for complete search history.

(56) **References Cited**

U.S. PATENT DOCUMENTS

2,078,414 A *	4/1937	Sackner	D03D 3/00
				139/389
D360,797 S	8/1995	Evans		
D394,604 S	5/1998	Cammack		
6,371,645 B1 *	4/2002	Rusert	B65D 29/04
				383/107
6,506,429 B1 *	1/2003	Recchia, Jr.	B29C 65/18
				426/106
D505,009 S *	5/2005	Rambow	D3/244
6,932,510 B2 *	8/2005	Sway	B65D 29/00
				383/102

D511,402 S *	11/2005	McEvoy Sherman	D28/76
D592,074 S	5/2009	Johnson		
D671,738 S	12/2012	Hargens		
D712,136 S	9/2014	Ciptak		
D826,554 S	8/2018	Larian		
D831,339 S *	10/2018	Villebro	D3/226

* cited by examiner

Primary Examiner — Holly H Baynham

(74) *Attorney, Agent, or Firm* — iPA & iPM

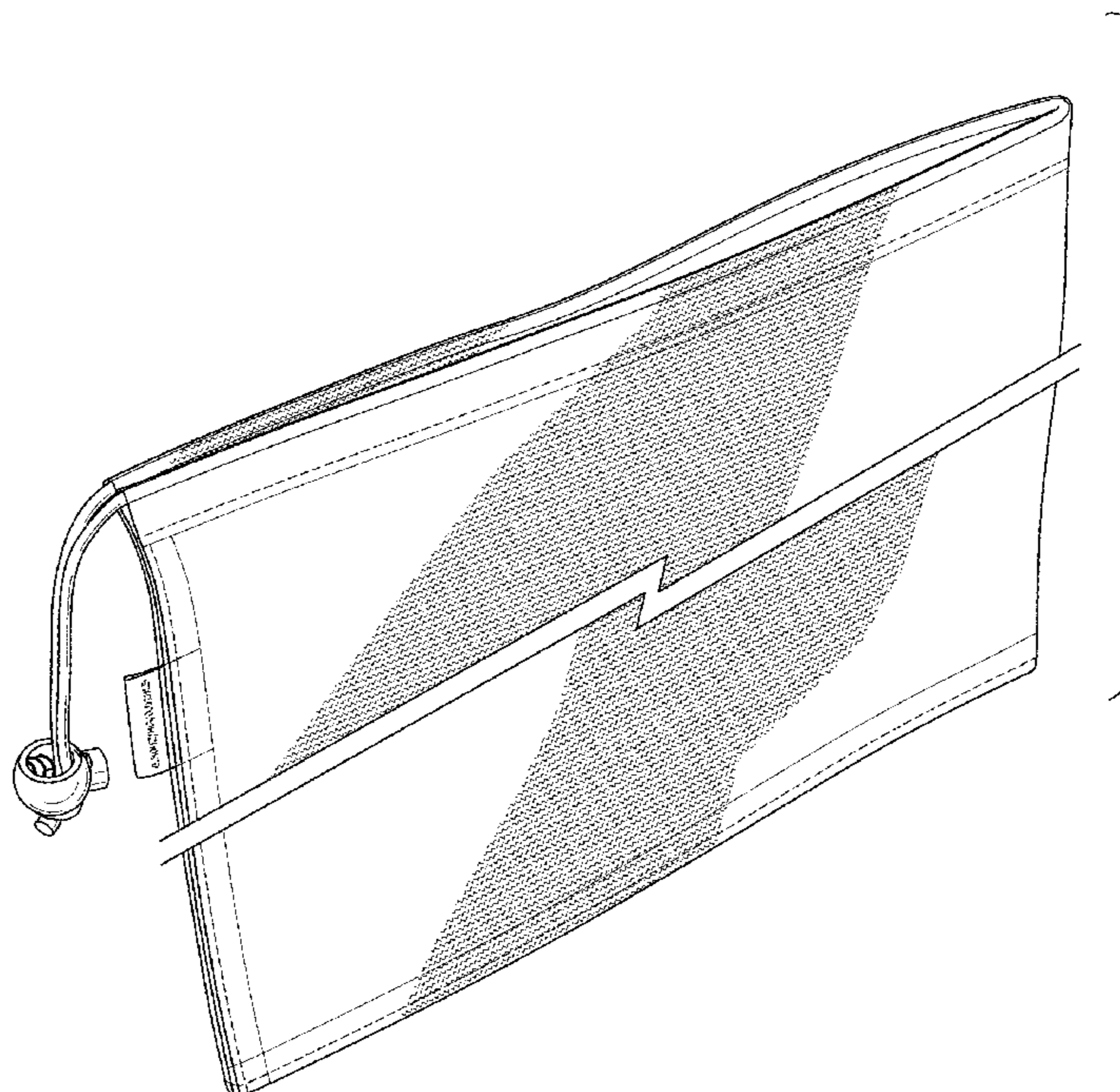
(57) **CLAIM**

The ornamental design for a mesh bag, as shown and described.

DESCRIPTION

FIG. 1 is a front perspective view of a mesh bag showing my new design;
 FIG. 2 is a front view thereof;
 FIG. 3 is a top view thereof;
 FIG. 4 is a bottom view thereof;
 FIG. 5 is a left side view thereof;
 FIG. 6 is a right side view thereof; and,
 FIG. 7 is a back view thereof.
 Broken lines in FIGS. 1, 2, and 7 are for the purpose of illustrating stitching, and form no part of the claimed design. Z shaped double solid lines in FIGS. 1, 2, and 5-7 depict abbreviated length of the mesh bag. Two portions on each side of the Z shaped double solid lines are bracketed to illustrate the mesh bag as a whole piece.

1 Claim, 3 Drawing Sheets



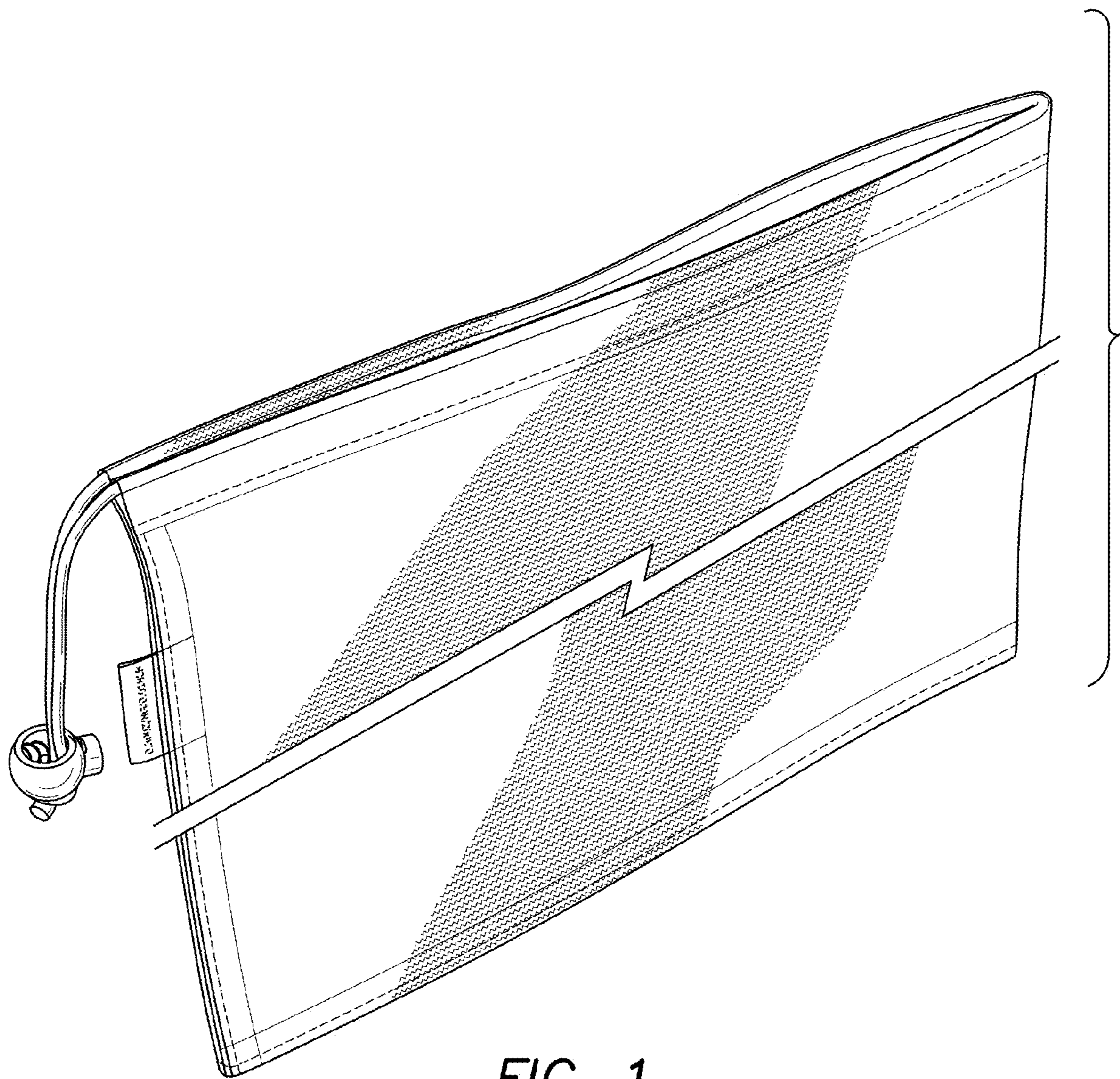


FIG. 1

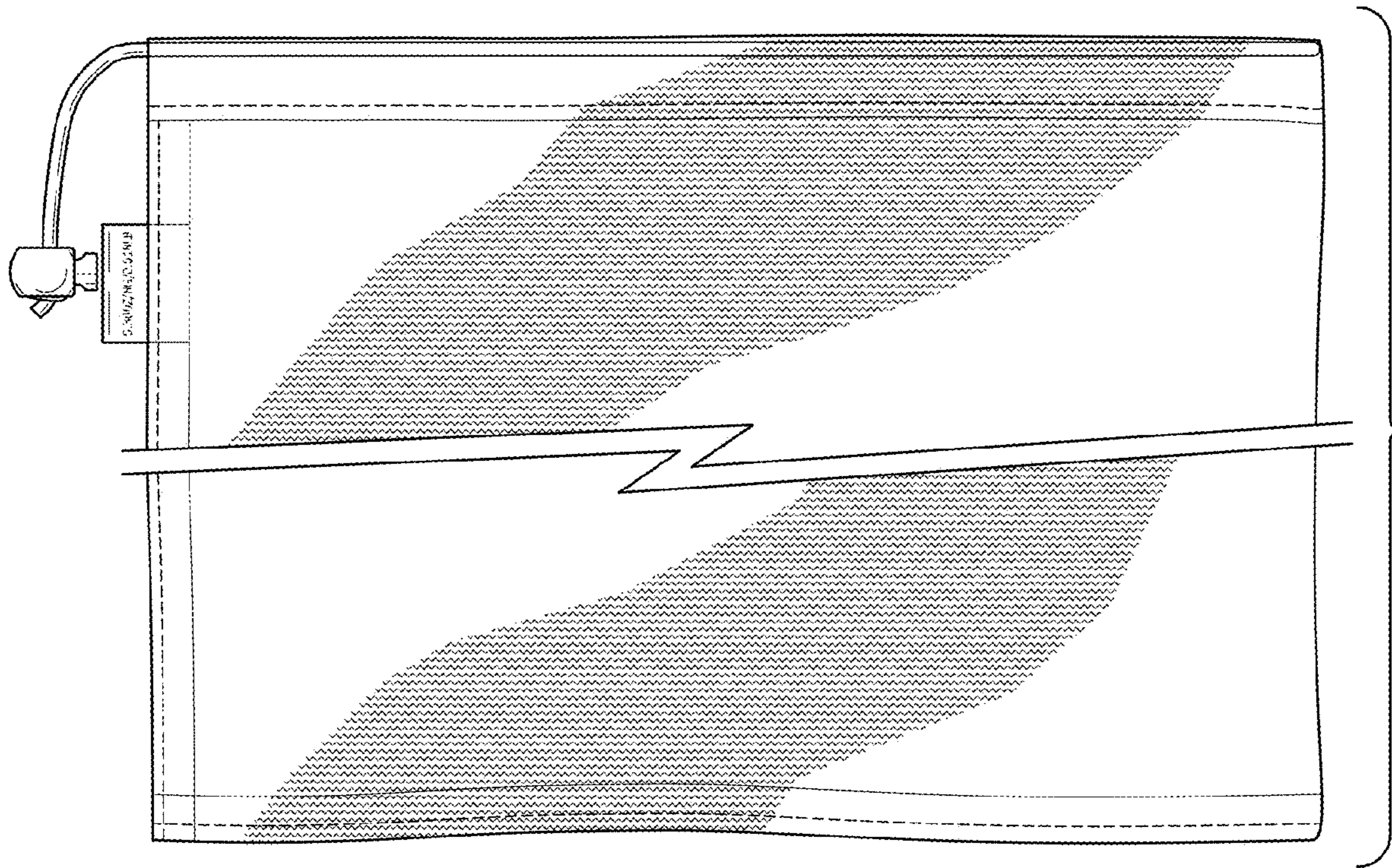


FIG. 2

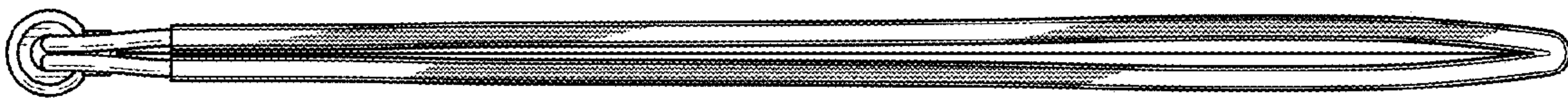


FIG. 3



FIG. 4

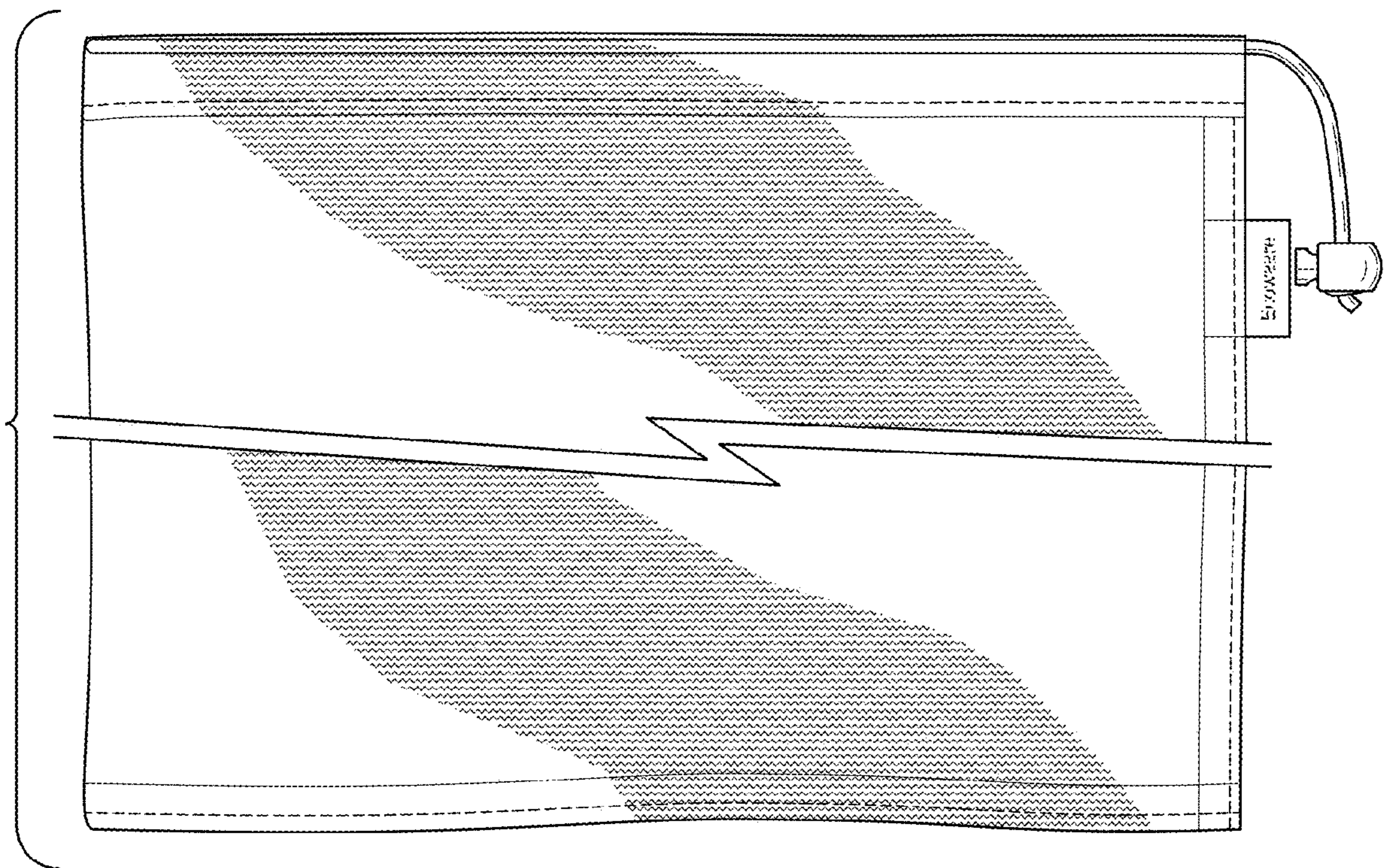
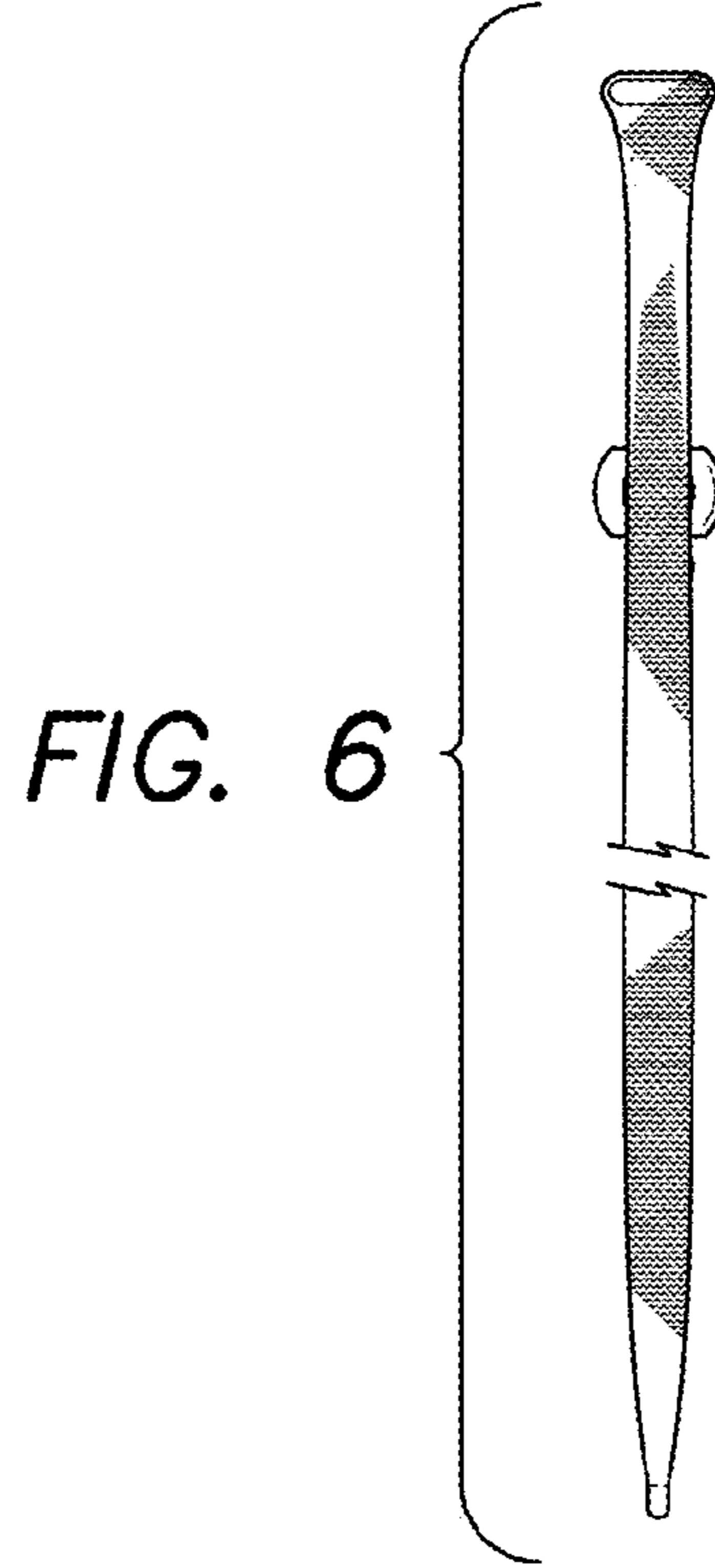
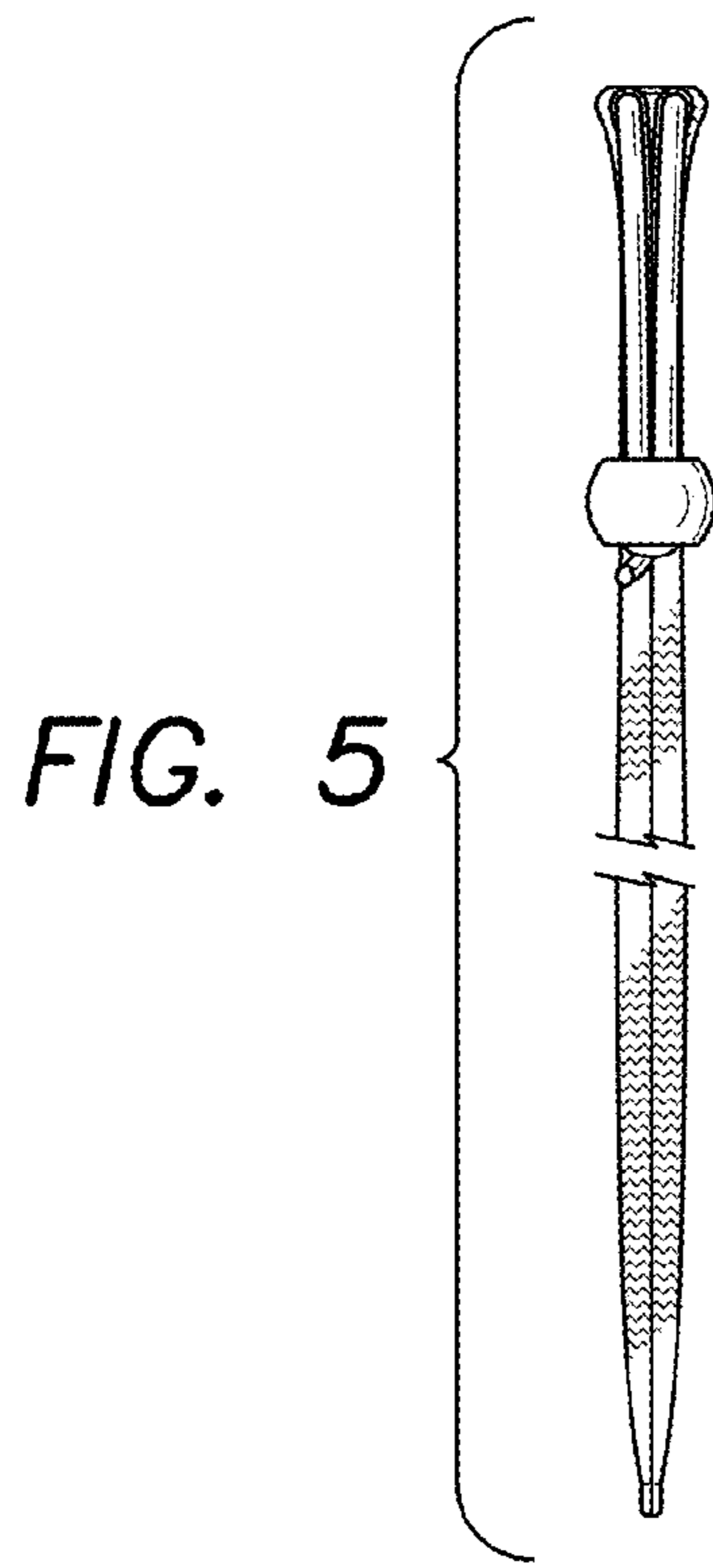


FIG. 7