



US00D882944S

(12) **United States Design Patent**
Habibi

(10) **Patent No.:** **US D882,944 S**

(45) **Date of Patent:** **** May 5, 2020**

(54) **WRAPAROUND POUCH AND POCKET FOR BOTTLES**

(71) Applicant: **Sherli Habibi**, Trabuco Canyon, CA (US)

(72) Inventor: **Sherli Habibi**, Trabuco Canyon, CA (US)

(**) Term: **15 Years**

(21) Appl. No.: **29/680,388**

(22) Filed: **Feb. 15, 2019**

(51) **LOC (12) Cl.** **03-01**

(52) **U.S. Cl.**
USPC **D3/226**

(58) **Field of Classification Search**
USPC D3/224, 226, 229, 215; 224/148.6, 224/148.5, 148.3, 148.7, 219, 222, 267, 224/269, 223, 250, 664, 682, 240-241, 224/245, 665-666; 206/427, 217
CPC ... A45C 3/001; A45F 3/04; A45F 3/14; A45F 3/16; A45F 5/02; A45F 2003/001; A45F 2003/008; A45F 2003/144; A45F 2200/0566

See application file for complete search history.

(56) **References Cited**

U.S. PATENT DOCUMENTS

3,732,999	A	5/1973	Rounkles	
4,401,245	A	8/1983	Zills	
5,060,835	A	10/1991	Payne	
5,240,158	A *	8/1993	Walsh	A45F 3/14 224/148.6
5,722,574	A *	3/1998	Pratt	A45F 3/16 224/148.1
D410,770	S *	6/1999	Bergara	D3/202
5,938,089	A	8/1999	Abreu-Marston	
5,954,238	A	9/1999	Rausch	
6,004,033	A	12/1999	Cirone	

6,182,872	B1 *	2/2001	Six	A45F 3/16 224/148.3
6,286,709	B1	9/2001	Hudson	
6,401,993	B1	6/2002	Andrino	
6,533,150	B1	3/2003	Margo et al.	
D505,008	S *	5/2005	Malik	D3/224
D531,858	S	11/2006	Johnson	
7,252,213	B1	8/2007	DeSanto	
D601,794	S *	10/2009	Jarvio	D3/229
D616,644	S *	6/2010	Ramon	D3/224
7,845,506	B2	12/2010	Willows et al.	
D668,861	S *	10/2012	Pomerantz	D3/224
D706,028	S *	6/2014	Willows	D3/224
D831,332	S *	10/2018	St. John	D3/215
2005/0224442	A1	10/2005	White	
2005/0279751	A1	12/2005	Dempsey	
2007/0068944	A1	3/2007	McKinney et al.	
2008/0047986	A1	2/2008	Will et al.	
2008/0149589	A1	6/2008	Lach	

(Continued)

Primary Examiner — Catherine R Oliver-Garcia
(74) *Attorney, Agent, or Firm* — Dunlap Bennett & Ludwig PLLC

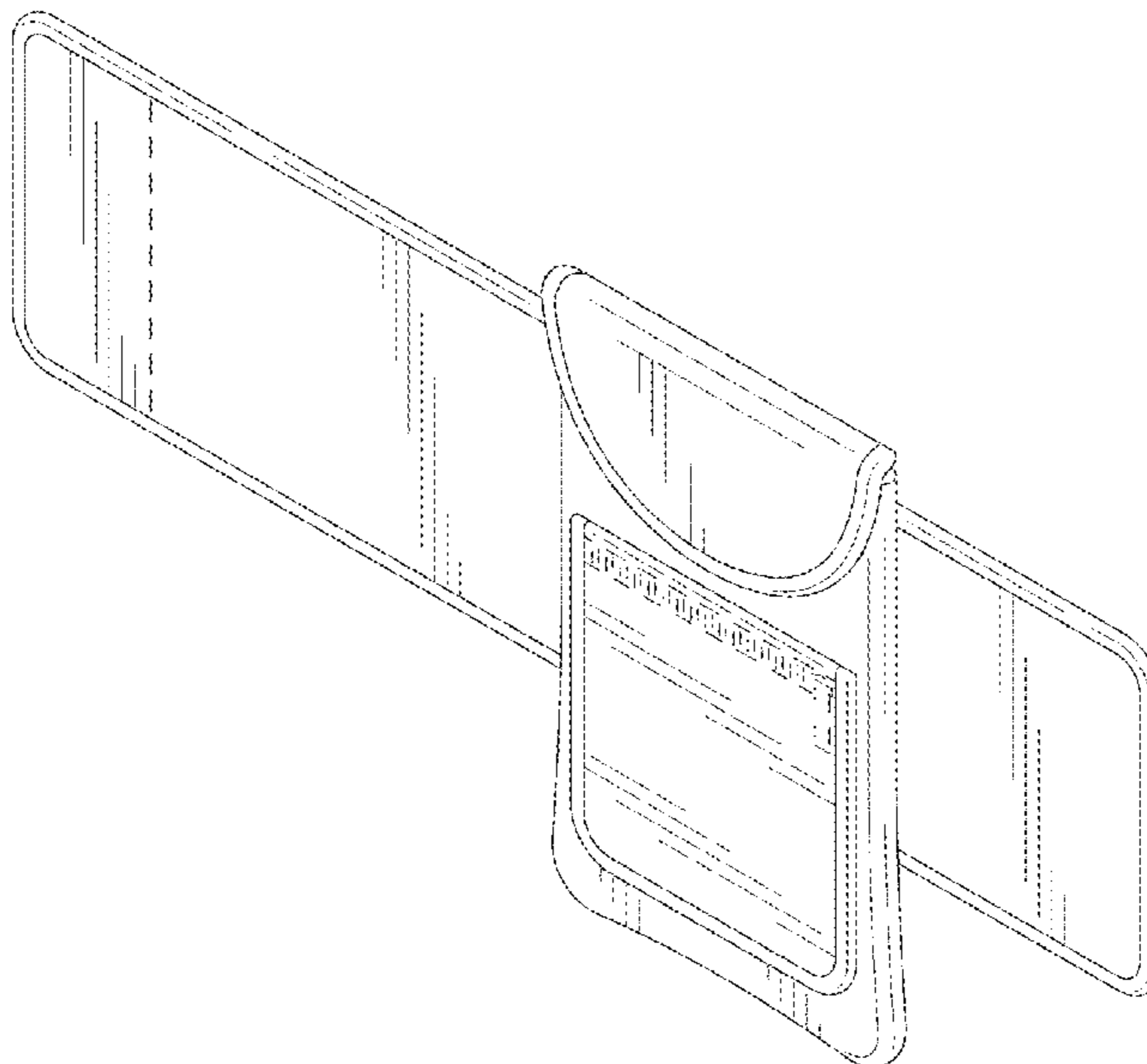
(57) **CLAIM**

The ornamental design for a wraparound pouch and pocket for bottles, as shown and described.

DESCRIPTION

FIG. 1 is a top front perspective view of a wraparound pouch and pocket for bottles;
FIG. 2 is a front elevation view thereof;
FIG. 3 is a rear elevation view thereof;
FIG. 4 is a right side elevation view thereof;
FIG. 5 is a left side elevation view thereof;
FIG. 6 is a top elevation view thereof; and,
FIG. 7 is a bottom elevation view thereof.
The broken lines shown in the drawings depict portions of the wraparound pouch and pocket for bottles that form no part of the claimed invention.

1 Claim, 3 Drawing Sheets



(56)

References Cited

U.S. PATENT DOCUMENTS

2008/0251655	A1	10/2008	Housley	
2008/0296325	A1	12/2008	Tepper	
2008/0308589	A1	12/2008	Graham	
2009/0057257	A1	3/2009	Marcus et al.	
2009/0095779	A1	4/2009	Alvarez	
2010/0243687	A1 *	9/2010	Liang	A45C 3/001 224/148.6
2011/0132507	A1	6/2011	Reyes	
2011/0303708	A1	12/2011	Dudley et al.	
2012/0091156	A1	4/2012	Lee	
2013/0098954	A1	4/2013	Inglis	
2014/0263487	A1	9/2014	Conwell	
2014/0374370	A1	12/2014	Nowzari	
2015/0014990	A1	1/2015	Bodet et al.	
2015/0069096	A1	3/2015	Kampas	
2015/0108182	A1	4/2015	Bruce	

* cited by examiner

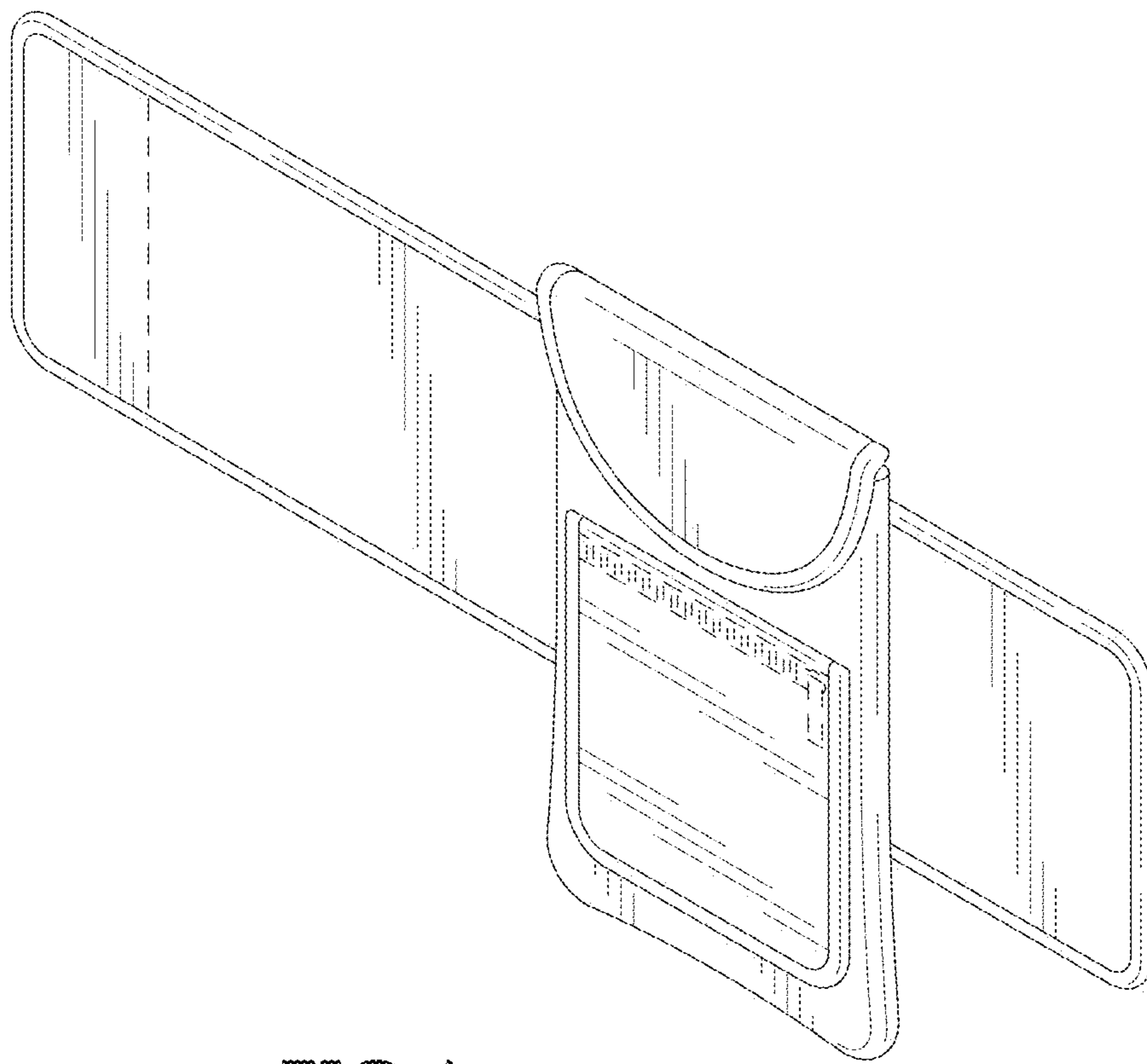


FIG. 1

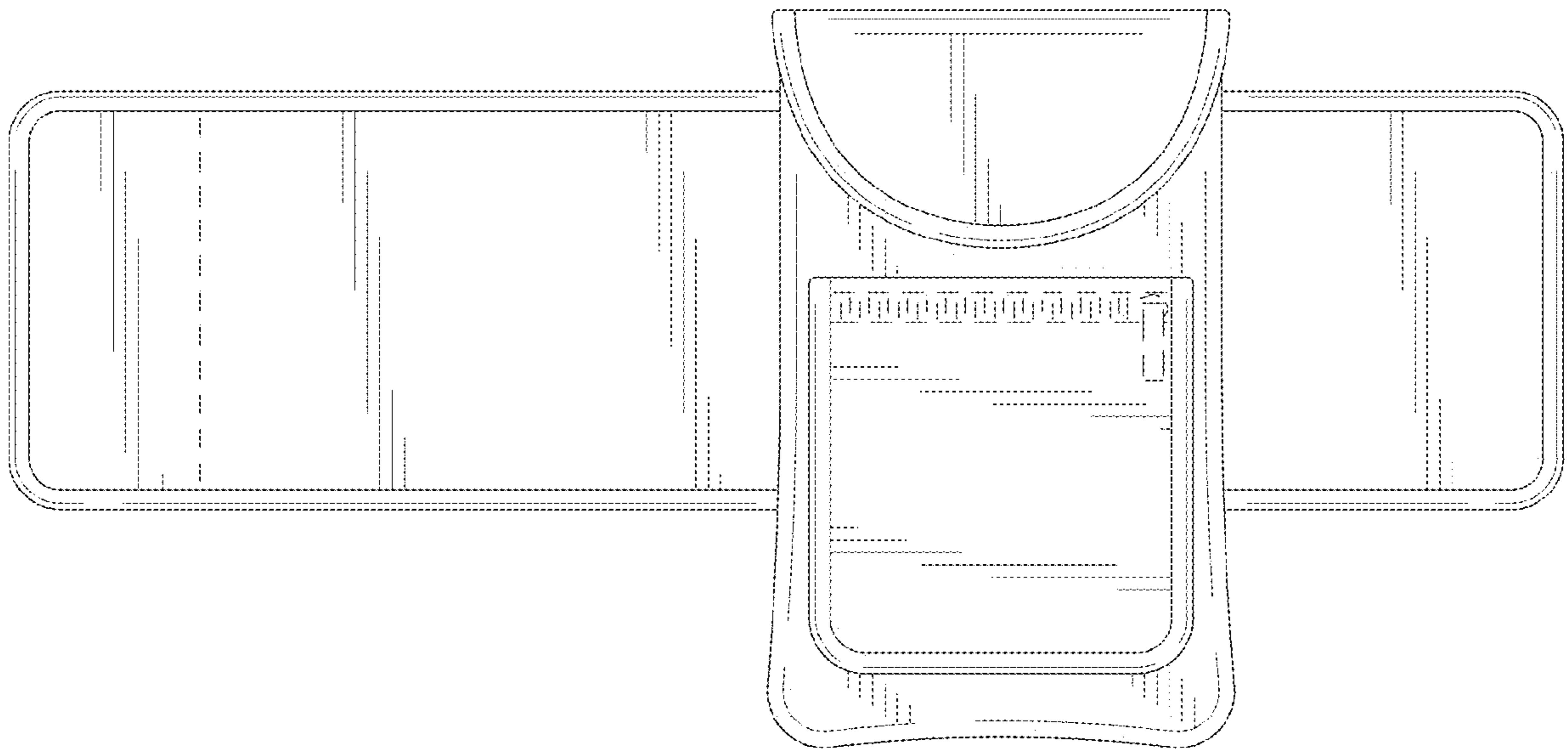


FIG. 2

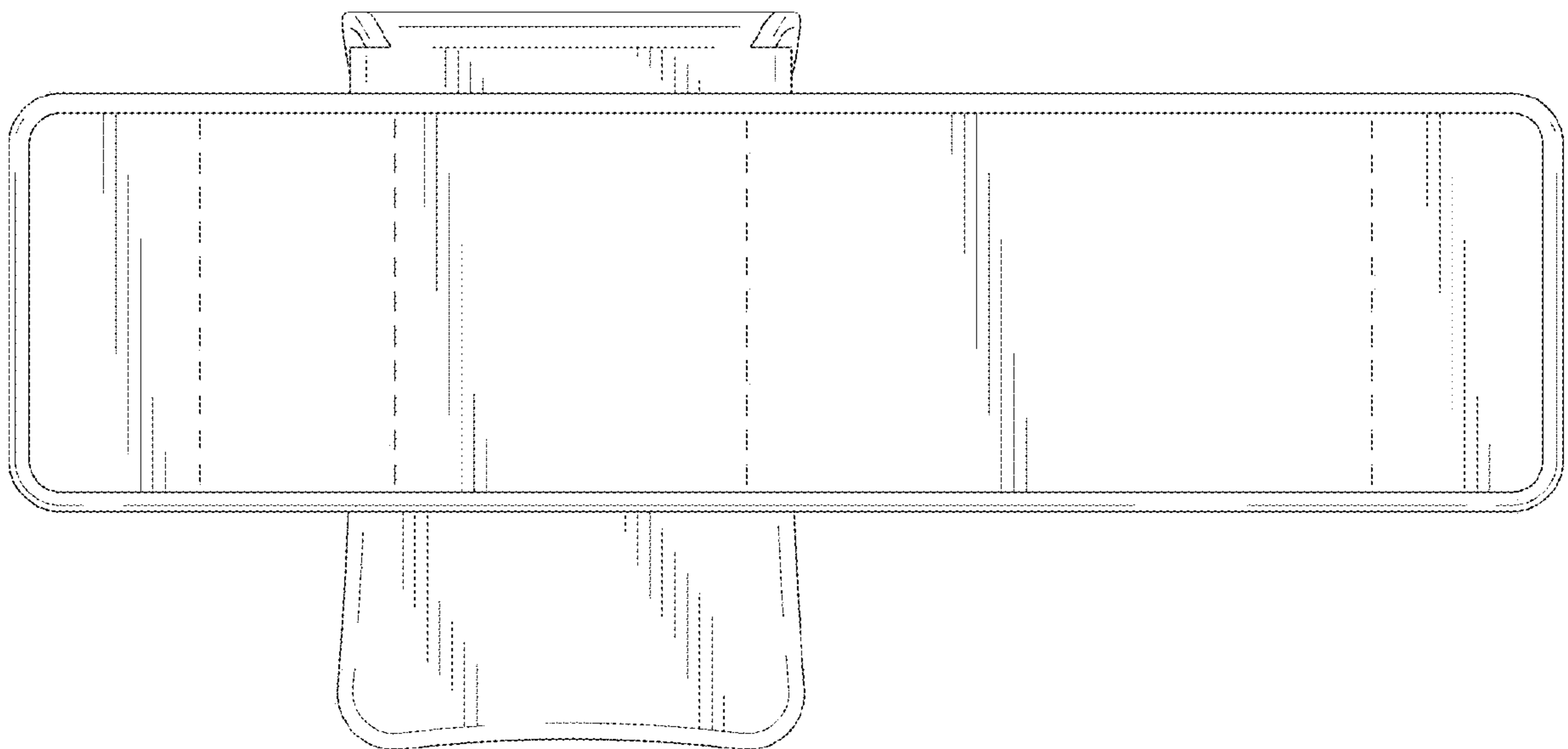


FIG. 3

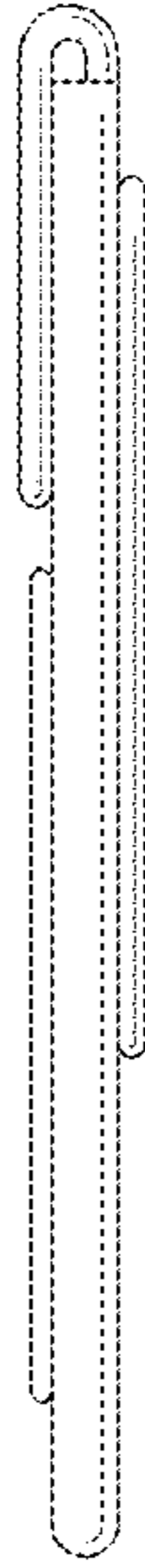


FIG. 4

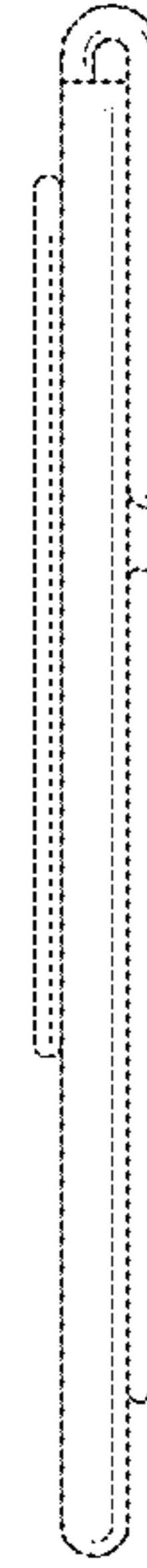


FIG. 5

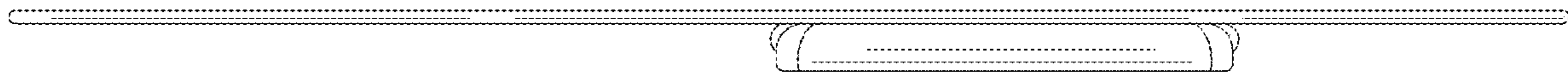


FIG. 6

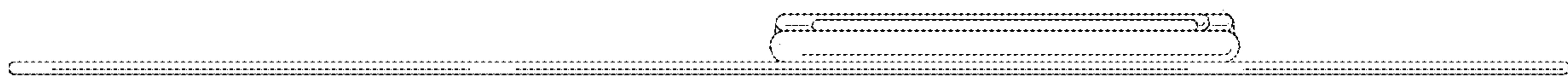


FIG. 7