



US00D882943S

(12) **United States Design Patent**
Zhuang

(10) **Patent No.:** **US D882,943 S**

(45) **Date of Patent:** **** May 5, 2020**

(54) **BACKPACK AND HANDBAG COMBINATION**

(71) Applicant: **Alexander Zhuang**, Alhambra, CA
(US)

(72) Inventor: **Alexander Zhuang**, Alhambra, CA
(US)

(**) Term: **15 Years**

(21) Appl. No.: **29/654,174**

(22) Filed: **Jun. 21, 2018**

(51) **LOC (12) Cl.** **03-01**

(52) **U.S. Cl.**
USPC **D3/217; D3/246**

(58) **Field of Classification Search**
USPC D3/201, 213–219, 221, 224, 225, 229,
D3/230, 232, 243–246, 254, 318
CPC A45F 3/04; A45F 4/02; A45F 2200/0525;
A45F 2003/045; A45C 11/00; A45C
13/30; A45C 2011/002; A45C 2011/003;
A45C 2011/001; A45C 15/00
See application file for complete search history.

(56) **References Cited**

U.S. PATENT DOCUMENTS

- 4,018,369 A * 4/1977 Jaeger A45F 3/04
224/582
- D246,484 S * 11/1977 Wasserman D3/283
- 4,424,841 A 1/1984 Smith
- 4,673,117 A * 6/1987 Calton A45C 11/20
224/148.3
- D319,144 S * 8/1991 Goude D3/217
- 5,184,763 A 2/1993 Blaisdell
- 5,402,869 A 4/1995 Saltzman
- D409,376 S * 5/1999 Golenz D3/216

- 6,189,750 B1 2/2001 Neumann
- D450,448 S 11/2001 Pierce
- 7,942,296 B1 5/2011 Johnson
- D650,578 S * 12/2011 Guertin D3/233
- D658,366 S * 5/2012 Platt A45C 3/04
D3/233
- D717,043 S 11/2014 Pulliam
- 9,101,199 B1 * 8/2015 Harry A45F 4/02
- D812,898 S 3/2018 Lai
- 2005/0045673 A1 3/2005 Godshaw

* cited by examiner

Primary Examiner — Jennifer L Watkins
(74) *Attorney, Agent, or Firm* — Mitchell Law PLLC;
Matthew W. Mitchell

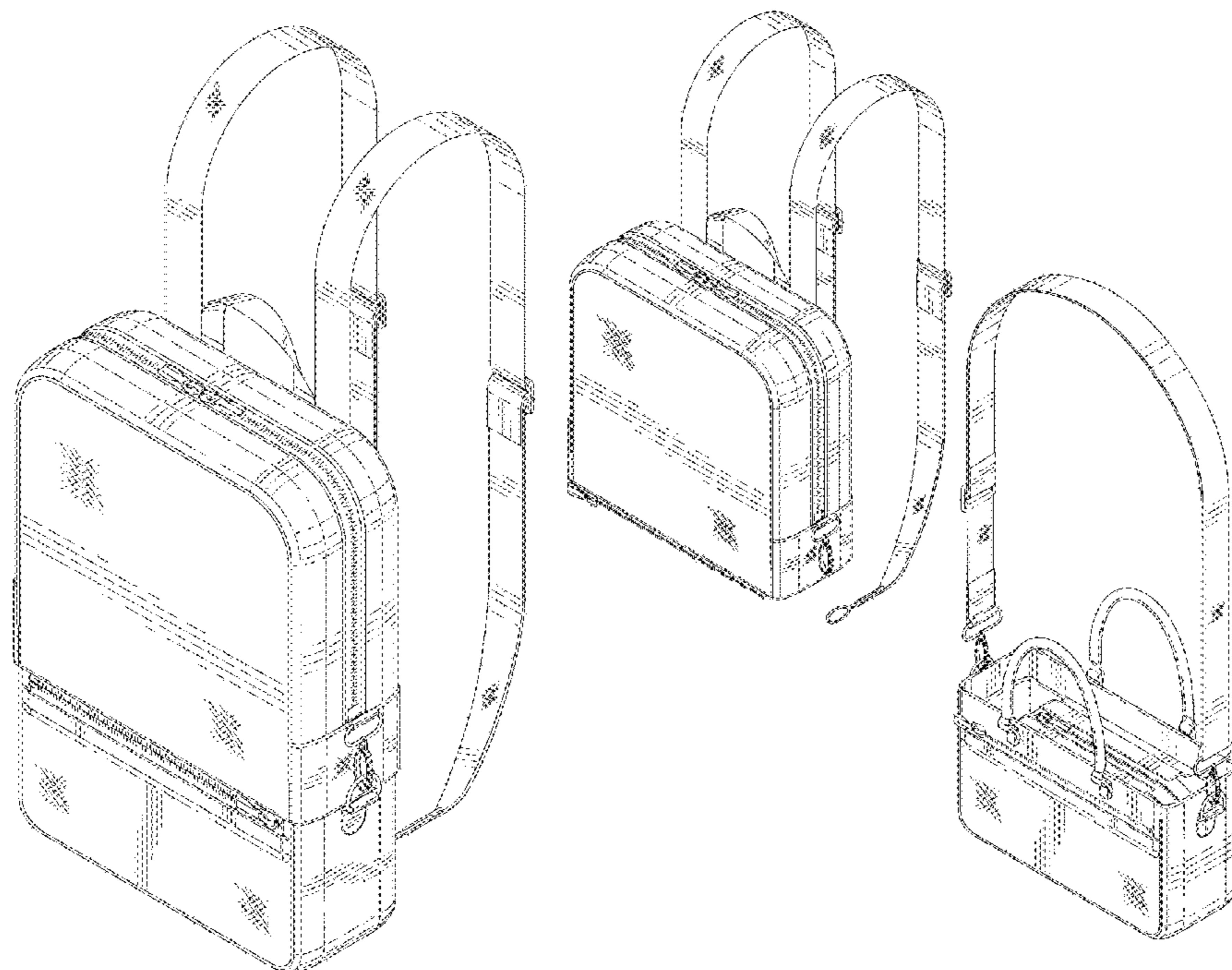
(57) **CLAIM**

The ornamental design for a backpack and handbag combination, as shown and described.

DESCRIPTION

FIG. 1 is a front isometric view of a backpack and handbag combination of the present invention;
FIG. 2 is a front view thereof;
FIG. 3 is a rear view thereof;
FIG. 4 is a right-side view thereof, the left side view being a mirror image thereof;
FIG. 5 is a top view thereof;
FIG. 6 is a bottom view thereof;
FIG. 7 is a front isometric of the invention in a detached state;
FIG. 8 is a front view thereof; and,
FIG. 9 is a right-side view, the left side view being a mirror image thereof.
The broken lines in the figures depict claimed stitching.

1 Claim, 9 Drawing Sheets



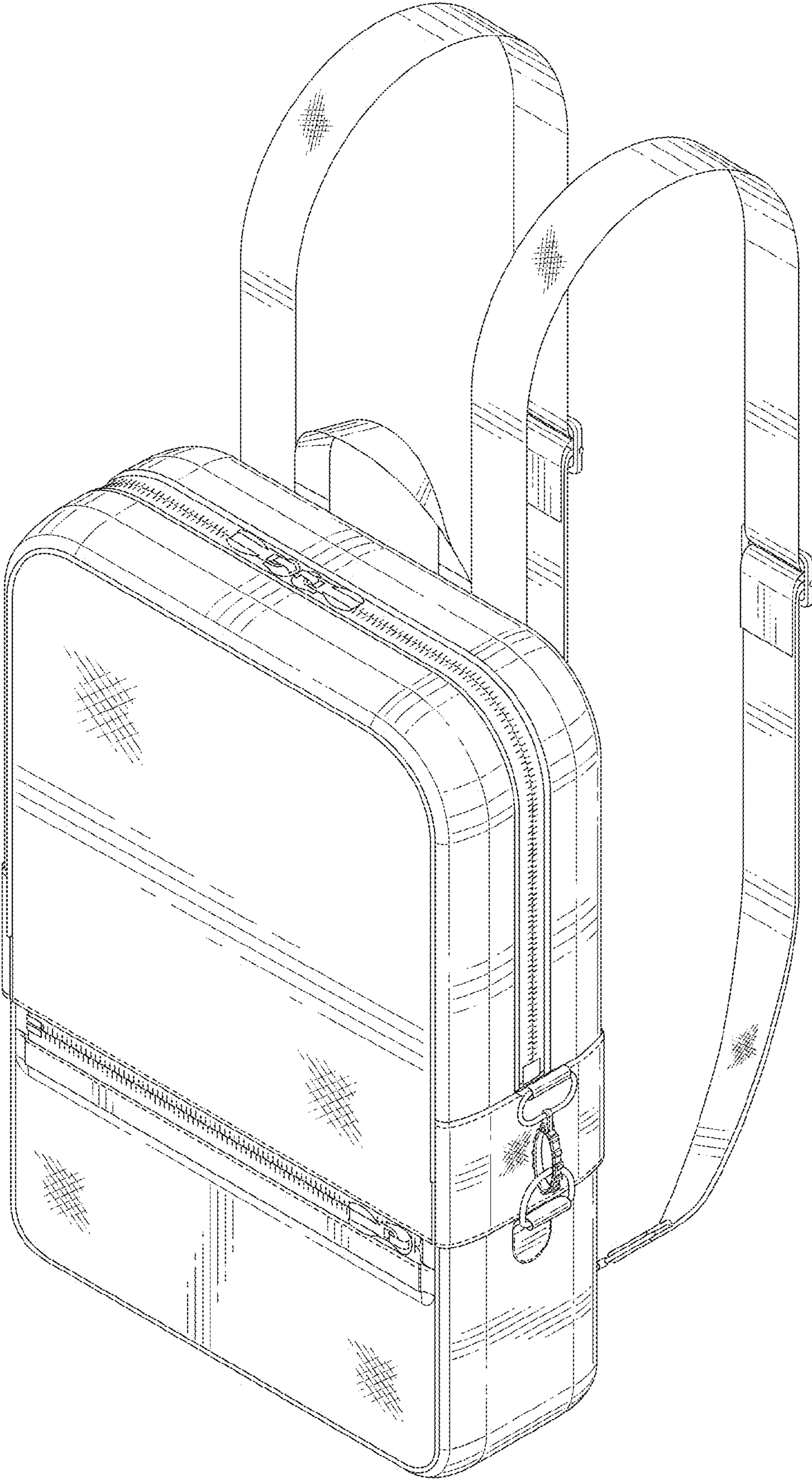


FIG. 1

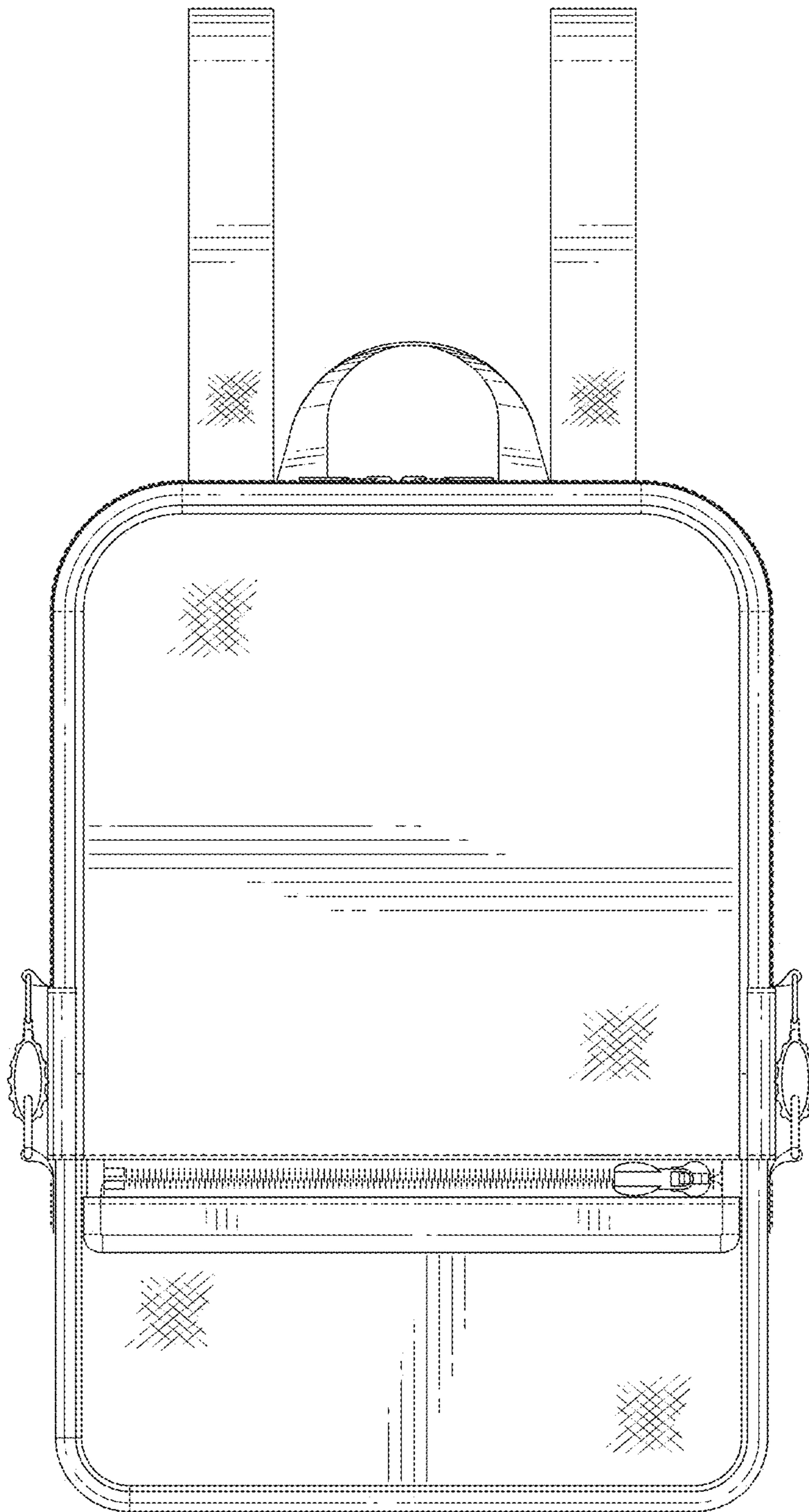


FIG. 2

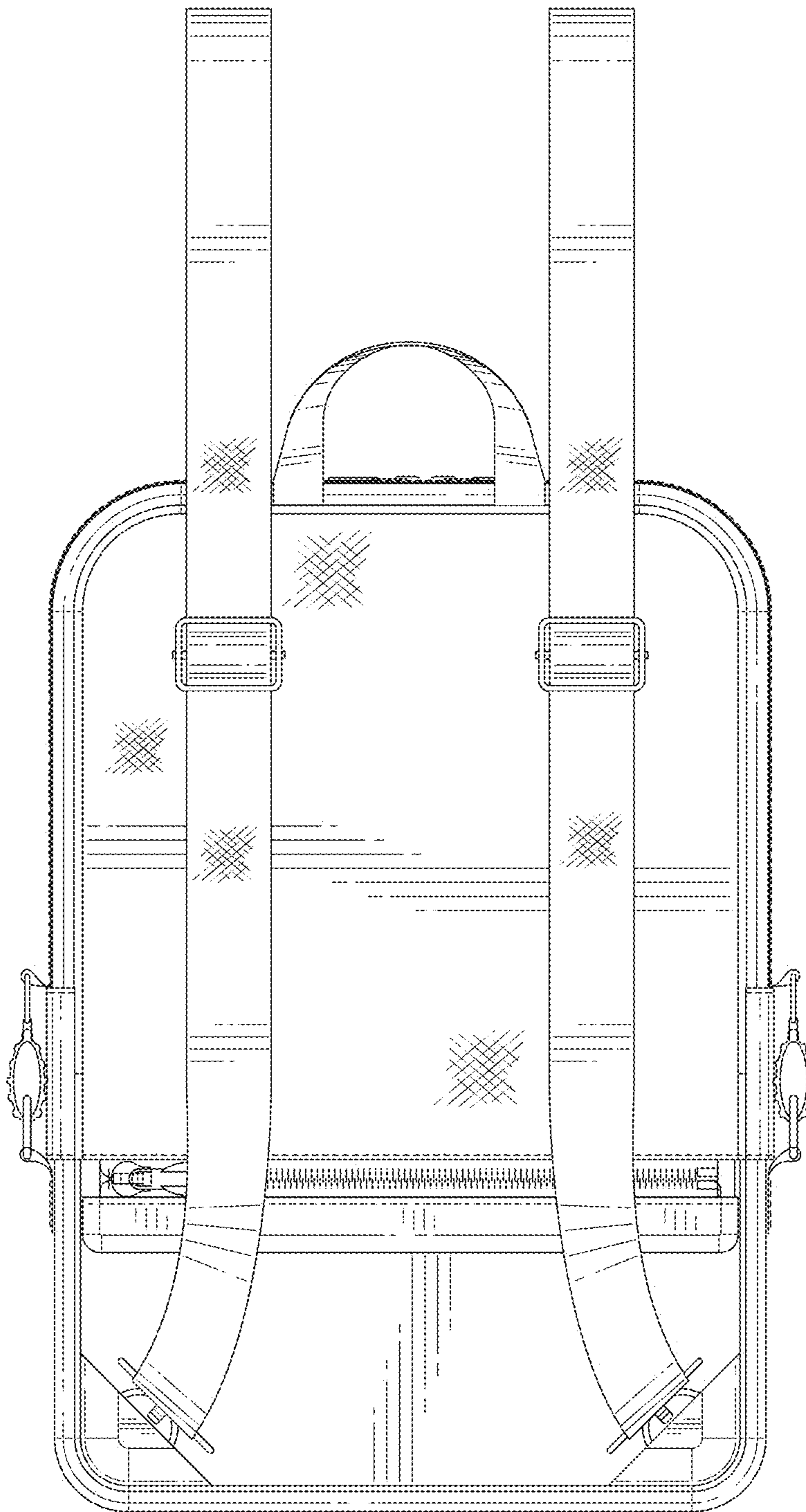


FIG. 3

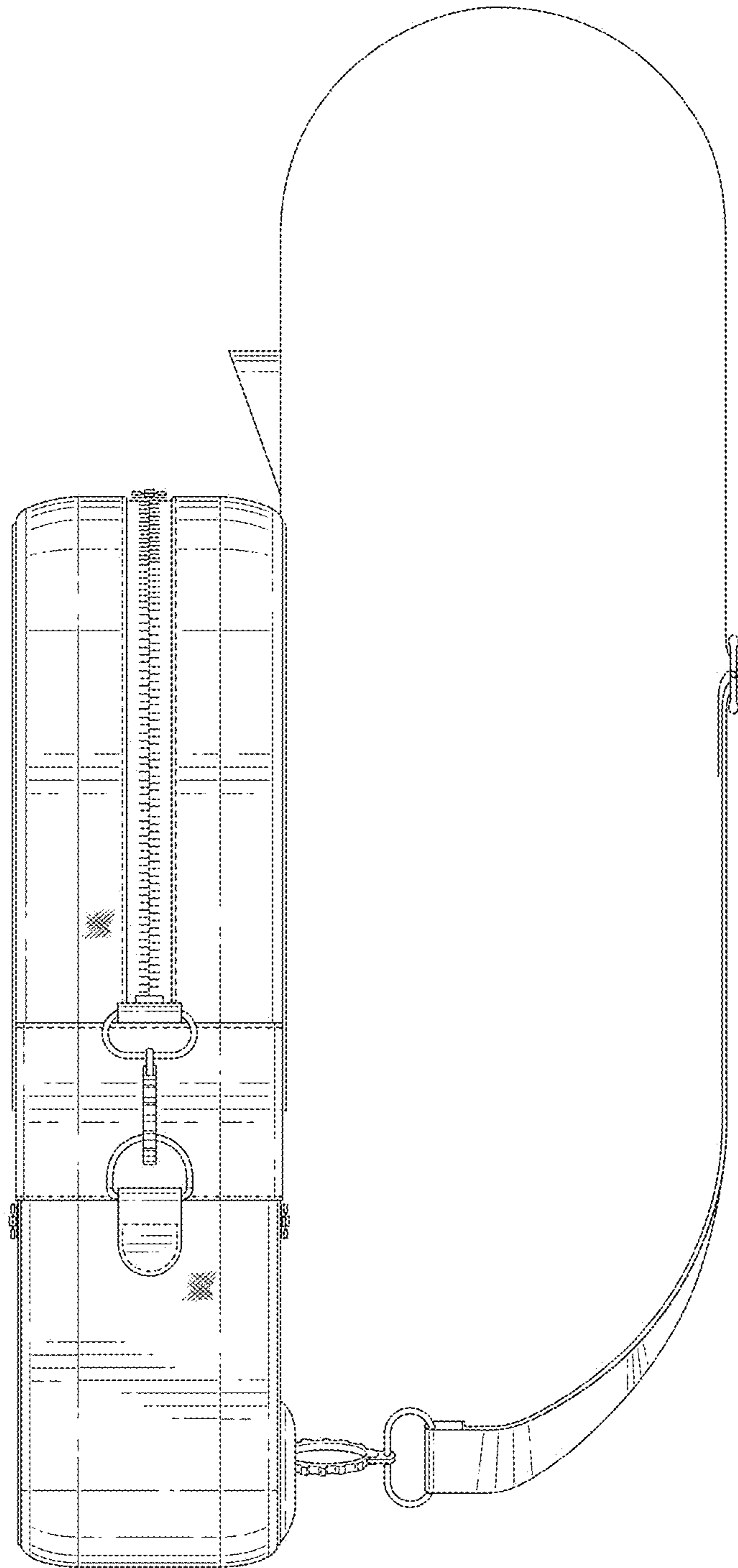


FIG. 4

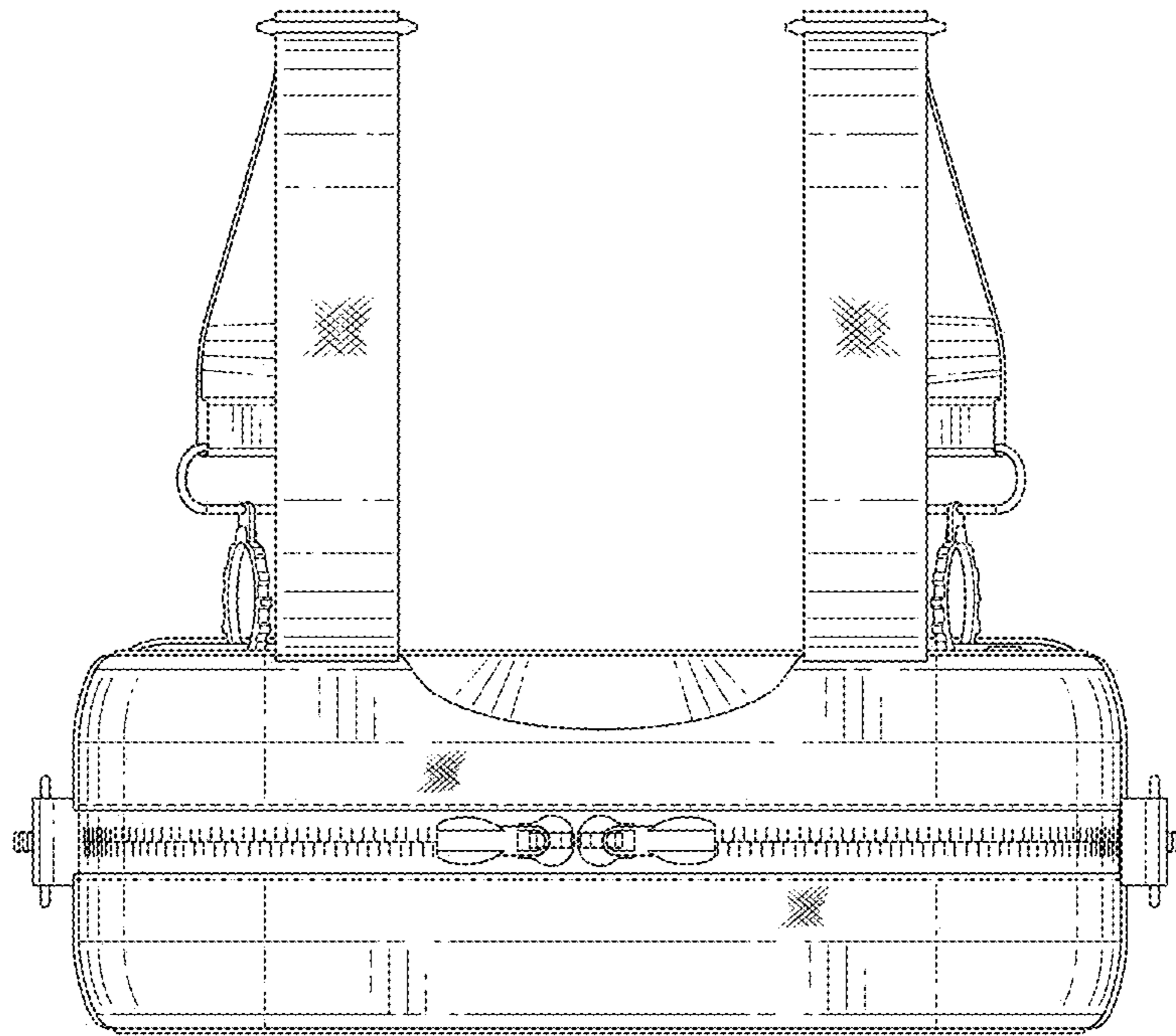


FIG. 5

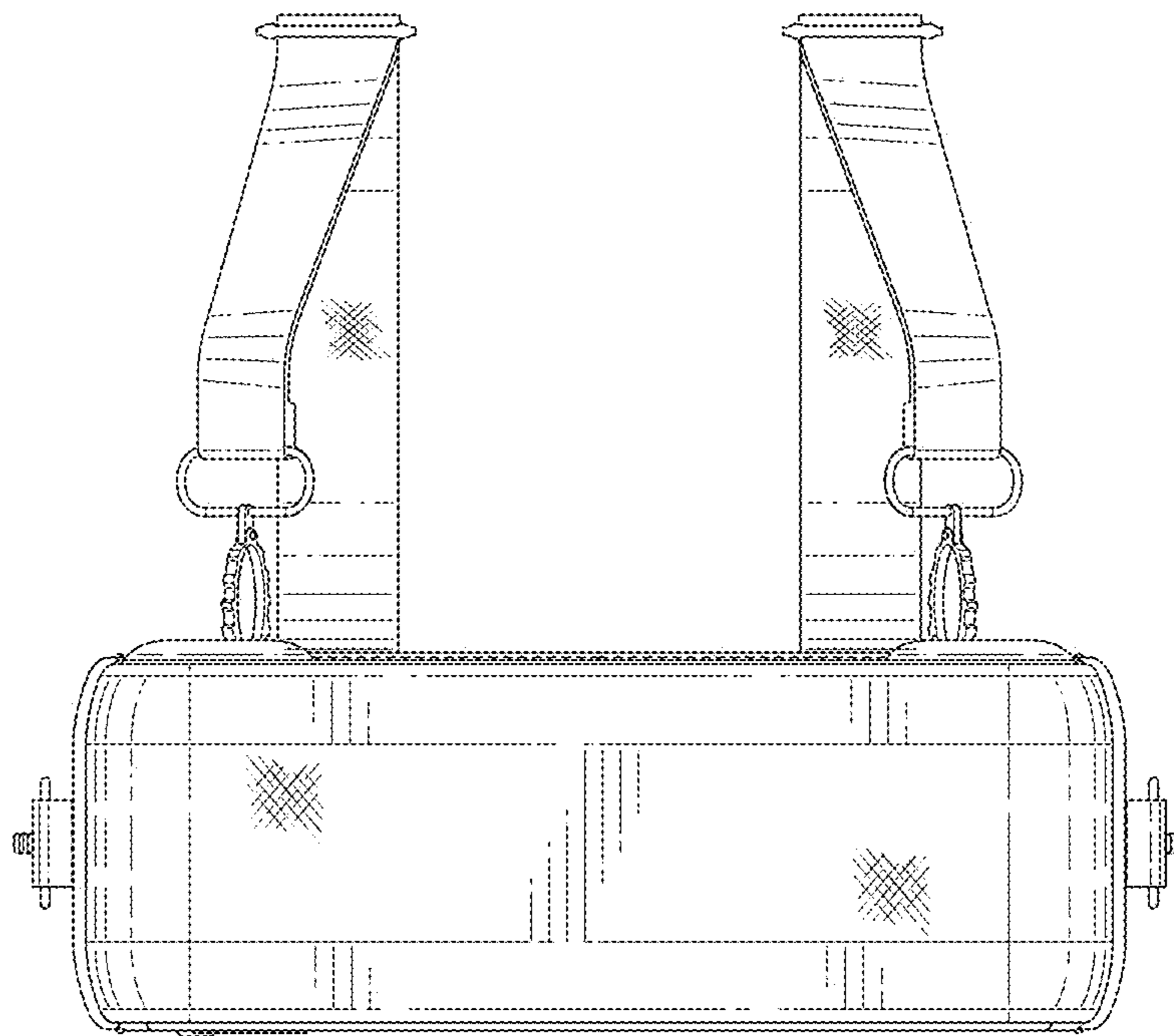


FIG. 6

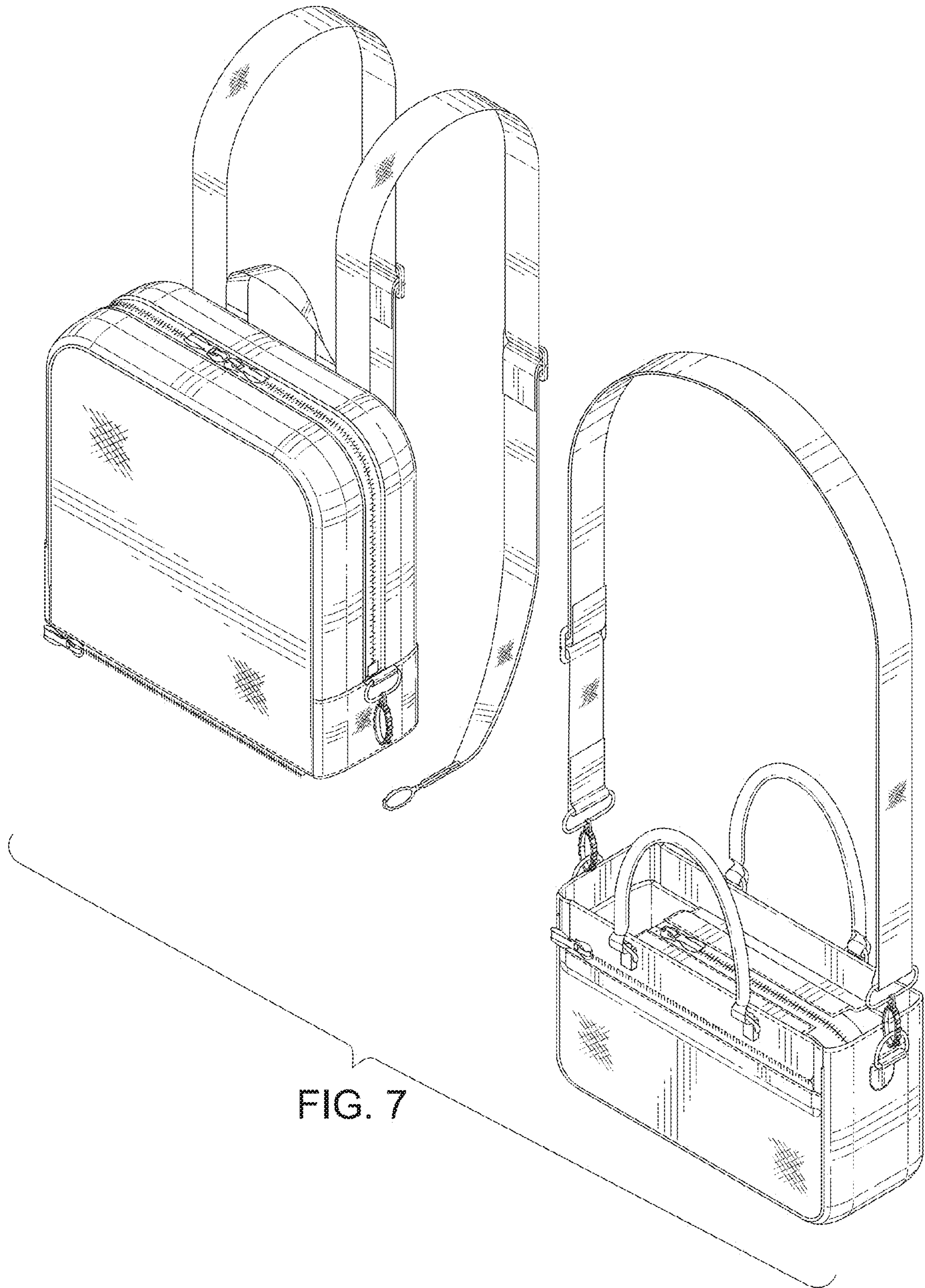


FIG. 7

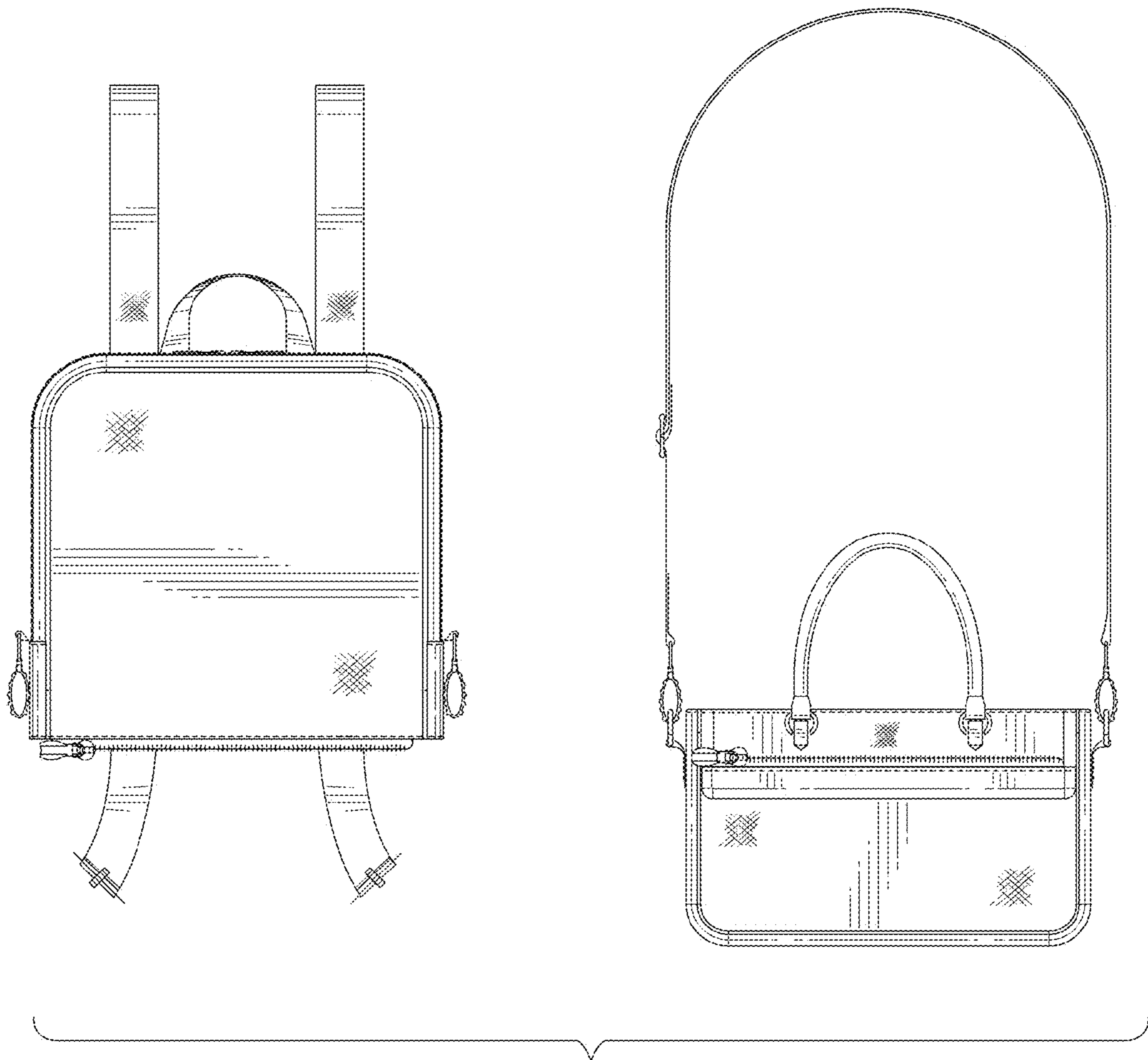


FIG. 8

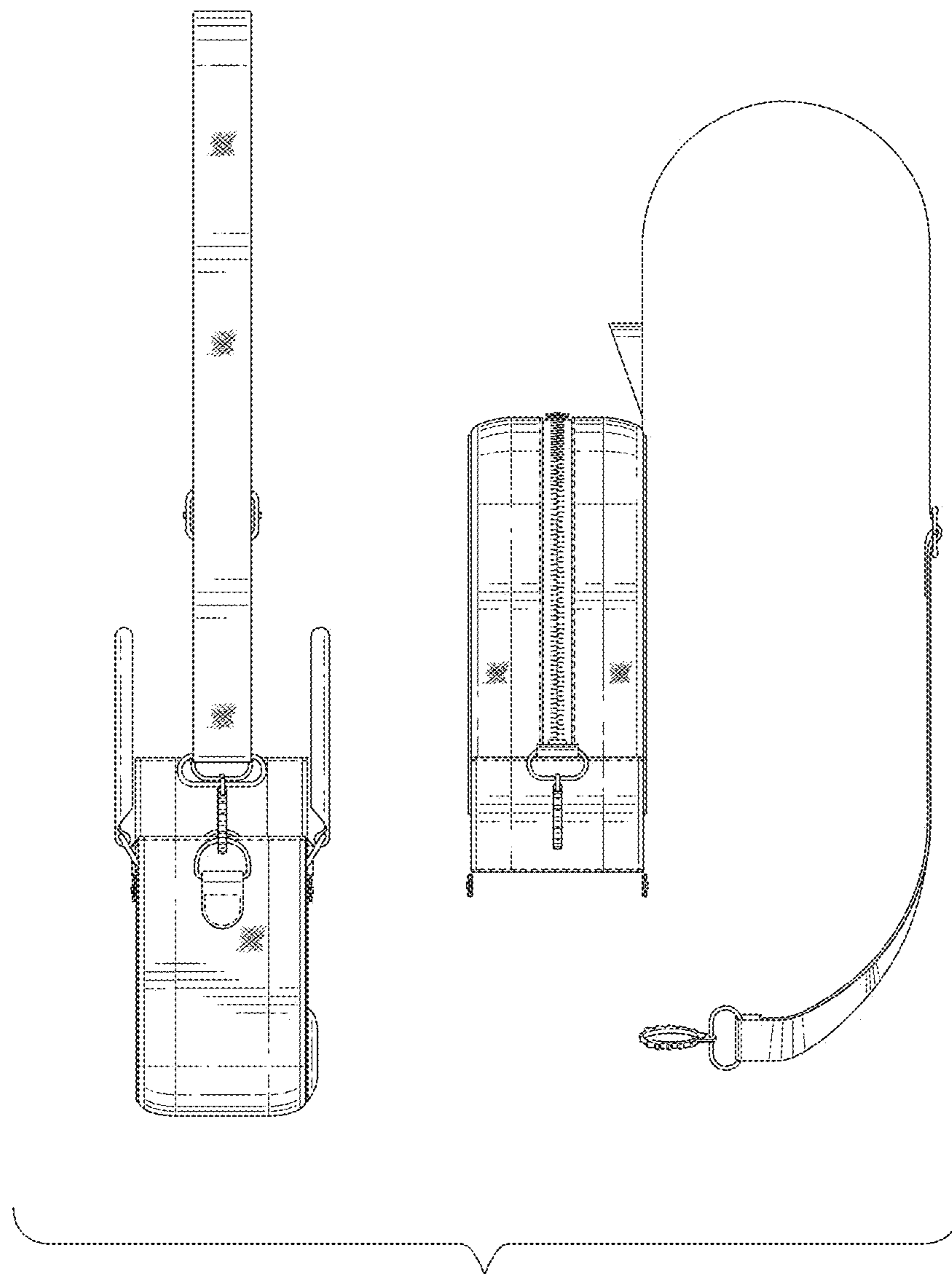


FIG. 9