



US00D882912S

(12) **United States Design Patent**
Nalls, Jr.

(10) **Patent No.:** **US D882,912 S**

(45) **Date of Patent:** **** May 5, 2020**

(54) **SHOE WITH ORNAMENT**

(71) Applicant: **Elbert B. Nalls, Jr.**, Niagara Falls, NY
(US)

(72) Inventor: **Elbert B. Nalls, Jr.**, Niagara Falls, NY
(US)

(**) Term: **15 Years**

(21) Appl. No.: **29/613,135**

(22) Filed: **Aug. 8, 2017**

(51) **LOC (12) Cl.** **02-04**

(52) **U.S. Cl.**
USPC **D2/946; D2/976; D2/972**

(58) **Field of Classification Search**
USPC D2/896-900, 909-911, 943, 946, 969,
D2/970, 972, 974, 976
CPC A43B 3/10; A43B 3/16; A43B 23/00
See application file for complete search history.

(56) **References Cited**

U.S. PATENT DOCUMENTS

D148,451 S *	1/1948	Arnoff	D2/902
D173,030 S *	9/1954	Hoza	D2/902
D503,271 S *	3/2005	Choi	D2/946
D555,332 S *	11/2007	Liles	D2/902
D618,897 S *	7/2010	Liles	A43B 3/0078
				D2/972
D624,288 S *	9/2010	Choi	D2/896
D634,520 S *	3/2011	Choi	D2/902
D658,867 S *	5/2012	Hassoun	D2/917
D659,953 S *	5/2012	Van Zyll De Jong	D2/907
D660,564 S *	5/2012	Hassoun	D2/917

D666,798 S *	9/2012	Now	D2/969
D675,418 S *	2/2013	Van Zyll De Jong	D2/945
D707,954 S *	7/2014	DelVecchio	D2/973
D729,503 S *	5/2015	Carroll	D2/902
D782,810 S *	4/2017	Mondesir	D2/973
D791,457 S *	7/2017	Membreno	D2/969
D792,683 S *	7/2017	Carroll	D2/902
D799,195 S *	10/2017	Raasch	D2/975
9,907,360 B2 *	3/2018	Foster	A43C 1/04
D819,645 S *	6/2018	Roberts	D14/440
D819,952 S *	6/2018	Pham	D2/978

* cited by examiner

Primary Examiner — Rashida C. Walshon

(74) *Attorney, Agent, or Firm* — Hodgson Russ LLP

(57) **CLAIM**

The ornamental design for shoe with ornament, as shown and described.

DESCRIPTION

FIG. 1 is a perspective view of a shoe with ornament, showing my new design;
FIG. 2 is a left side elevation view thereof;
FIG. 3 is a right side elevation view thereof;
FIG. 4 is a top plan view thereof
FIG. 5 is a bottom plan view thereof;
FIG. 6 a front elevation view thereof;
FIG. 7 is a rear elevation thereof; and,
FIG. 8 is a front detail view thereof, showing the ornament removed from the shoe for illustrative purposes, the rear detail view being mirror symmetrical thereto.
The broken lines are for illustrative purposes only and form no part of the claimed design.

1 Claim, 7 Drawing Sheets



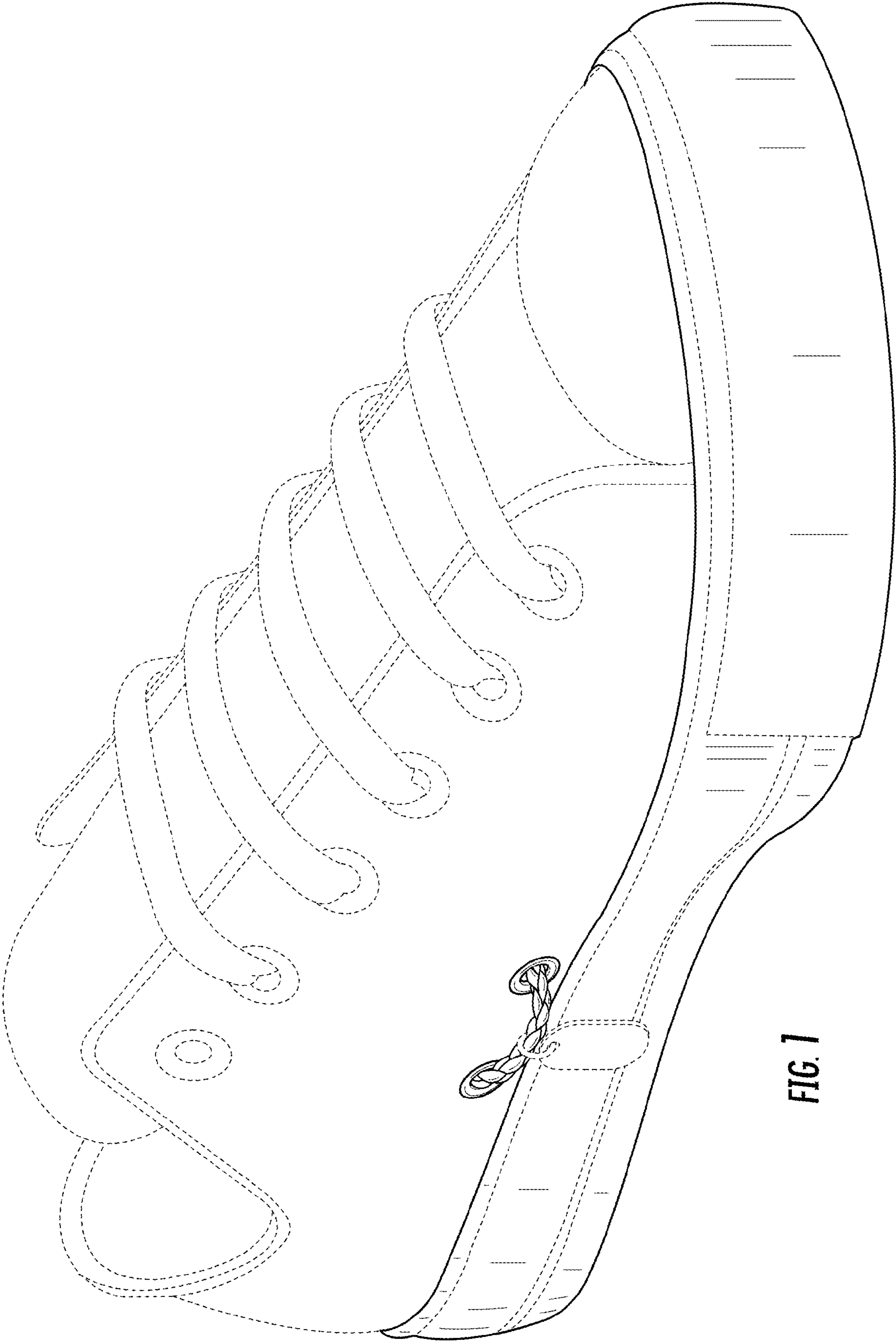


FIG. 1

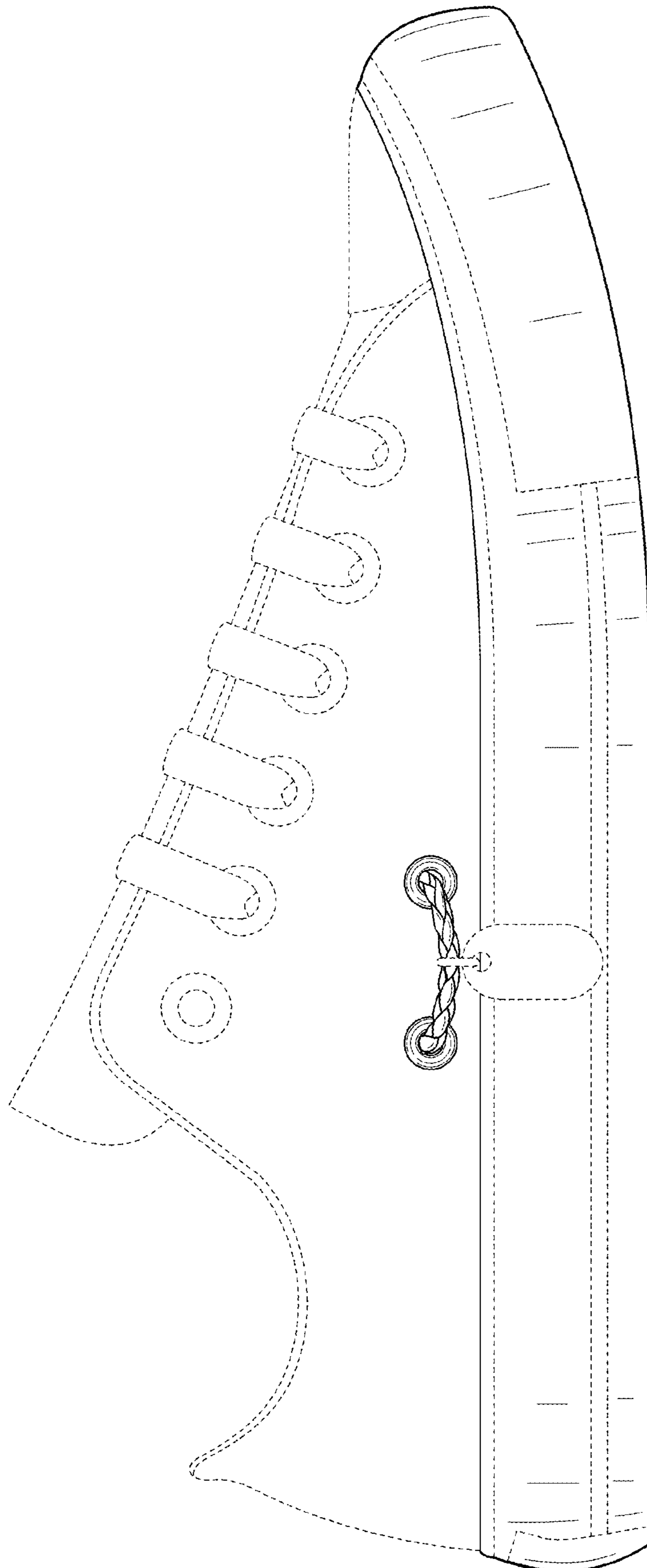


FIG. 2

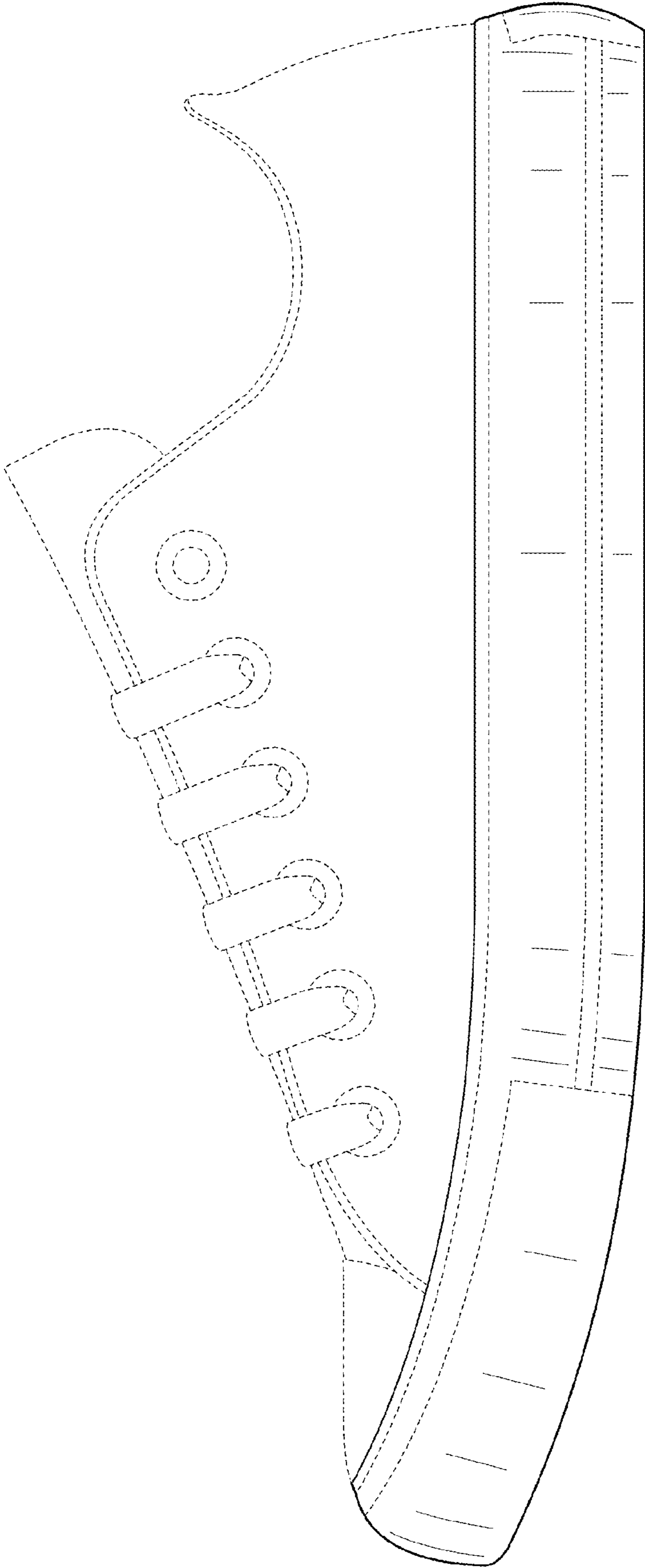


FIG. 3

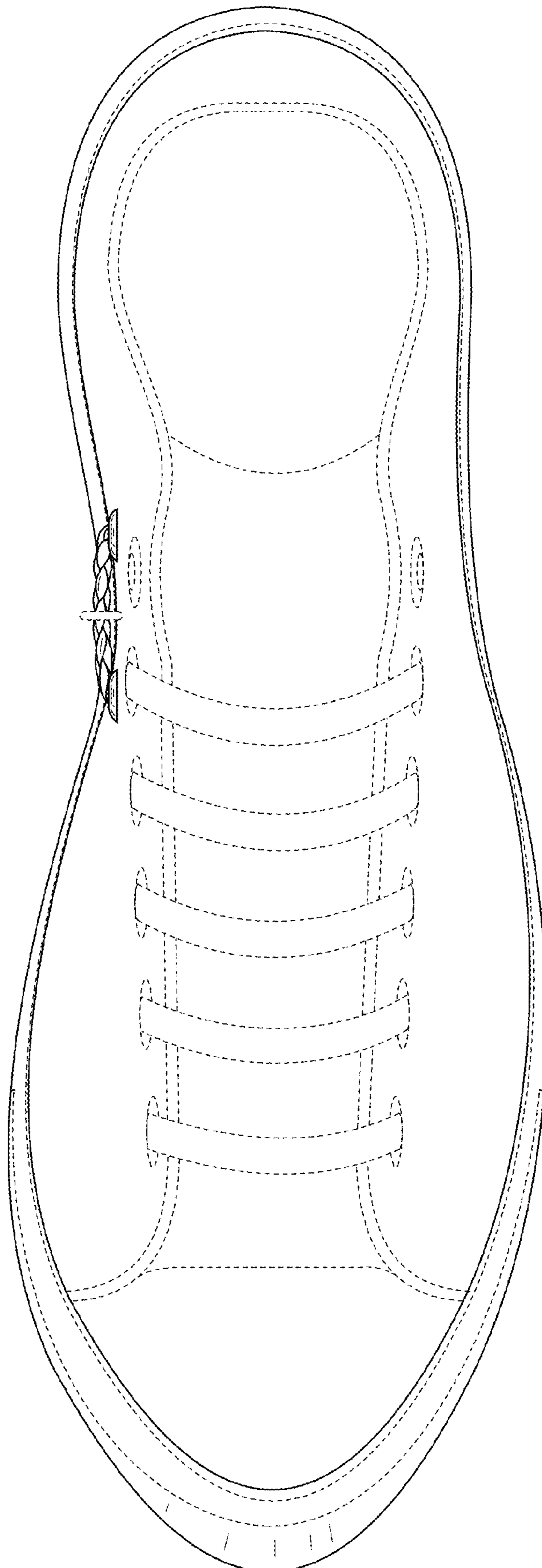


FIG. 4

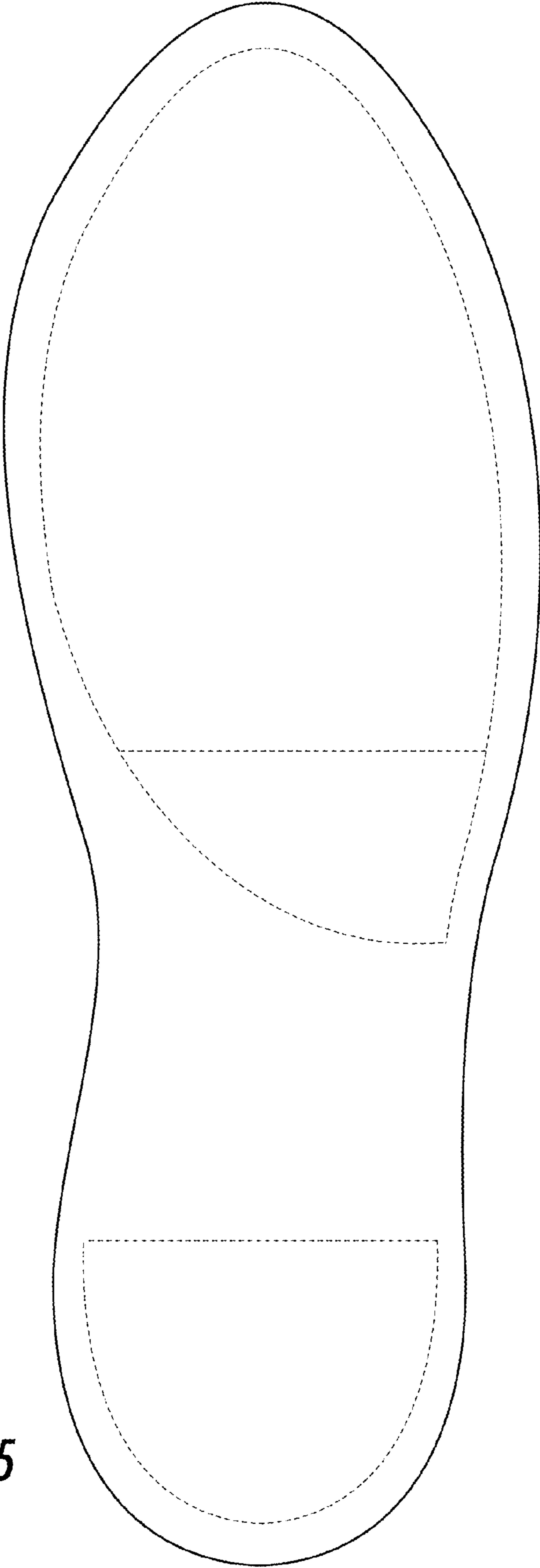


FIG. 5

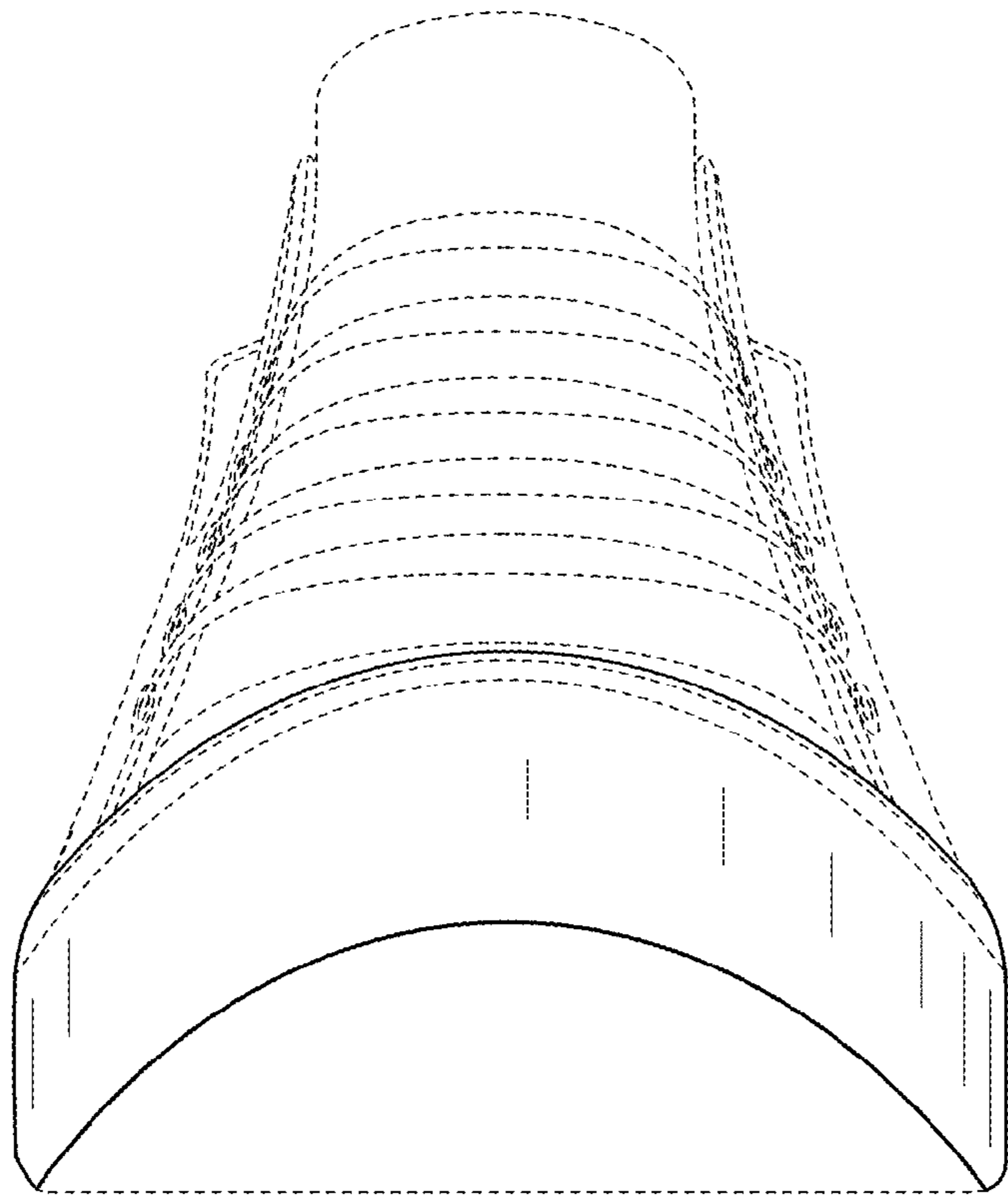


FIG. 6

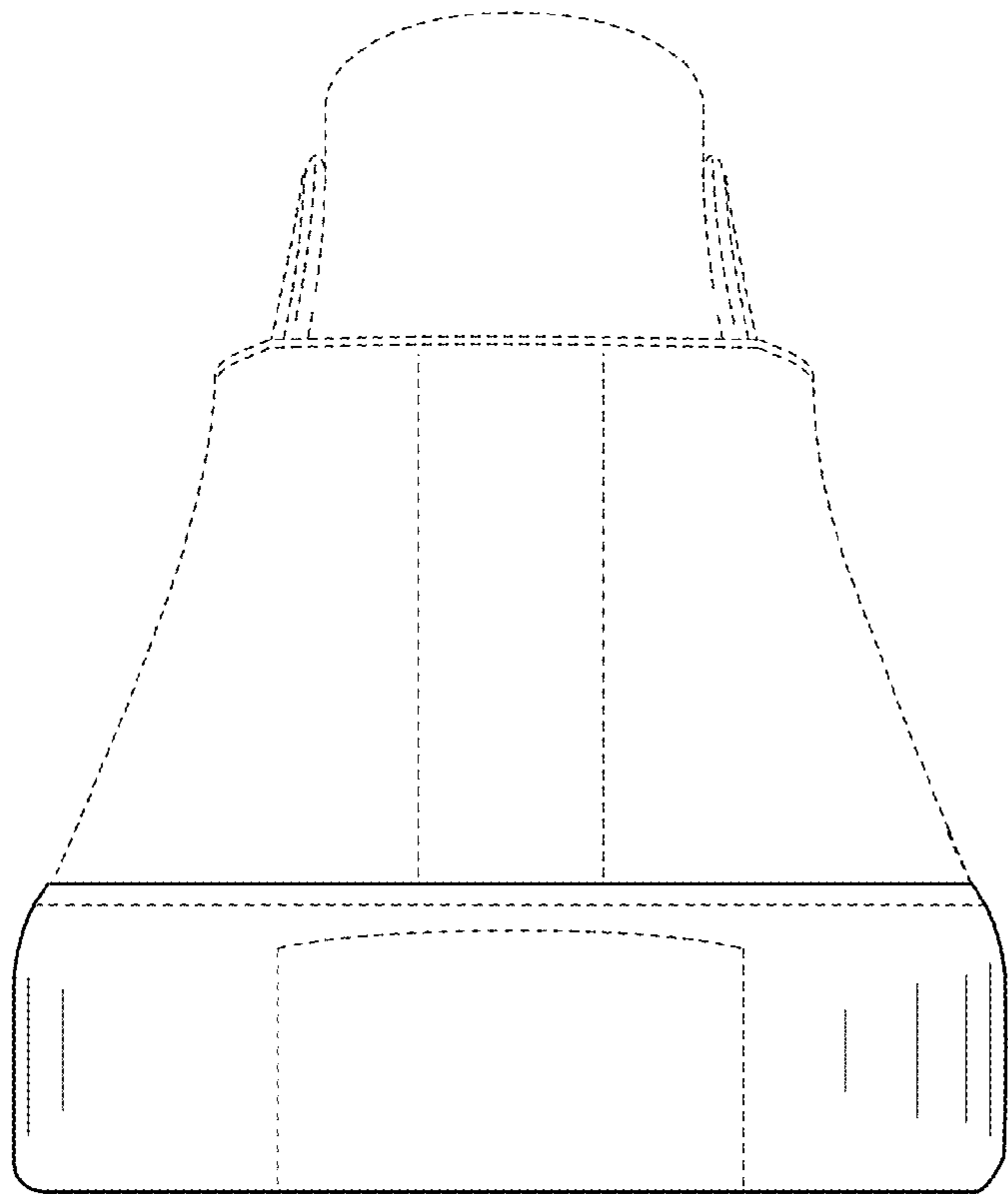


FIG. 7

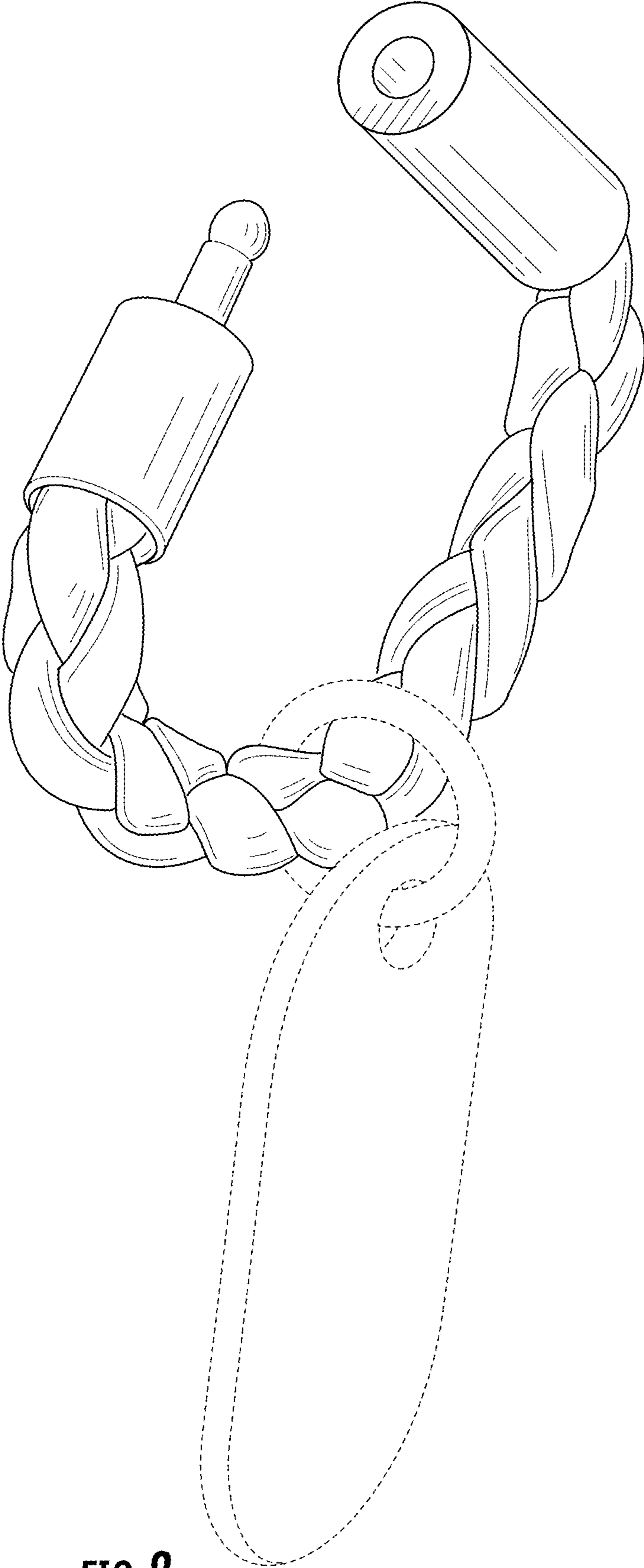


FIG. 8