



US00D882905S

(12) **United States Design Patent** (10) **Patent No.:** **US D882,905 S**
Recker et al. (45) **Date of Patent:** **** Apr. 28, 2020**

(54) **LIFT LEVEL**
(71) Applicant: **Meadow Burke, LLC**, Riverview, FL (US)
(72) Inventors: **Michael J. Recker**, Palmetto, FL (US); **Ronald G. Naumann**, Valrico, FL (US); **Hector G. Ruiz**, Fort Worth, TX (US)
(73) Assignee: **Meadow Burke, LLC**, Riverview, FL (US)

3,298,272 A 1/1967 Henderson
3,431,012 A 3/1969 Eriksson et al.
3,590,538 A 7/1971 Holt
3,616,584 A * 11/1971 Sartori et al. E04F 15/02452
52/126.6
3,640,328 A 2/1972 Tummarello
(Continued)

FOREIGN PATENT DOCUMENTS

DE 9421091 4/1995
JP 10037109 2/1998
(Continued)

(**) Term: **15 Years**

OTHER PUBLICATIONS

(21) Appl. No.: **29/649,563**
(22) Filed: **May 31, 2018**
(51) **LOC (12) Cl.** **12-05**
(52) **U.S. Cl.**
USPC **D34/35**; D34/28; D34/31
(58) **Field of Classification Search**
USPC D34/31, 28, 35; D25/199; D12/420, 223
CPC E04B 5/04; E01C 19/00; E04D 11/007;
E04F 15/02482; F16L 1/00; B66F 9/22
See application file for complete search history.

Google search Oct. 9, 2019; <https://meadowburke.com>; lift and leveling insert (Year: 2019).*
(Continued)

Primary Examiner — Cynthia Ramirez
(74) *Attorney, Agent, or Firm* — Sheridan Ross P.C.

(57) **CLAIM**

The ornamental design for a lift level, as shown and described.

(56) **References Cited**

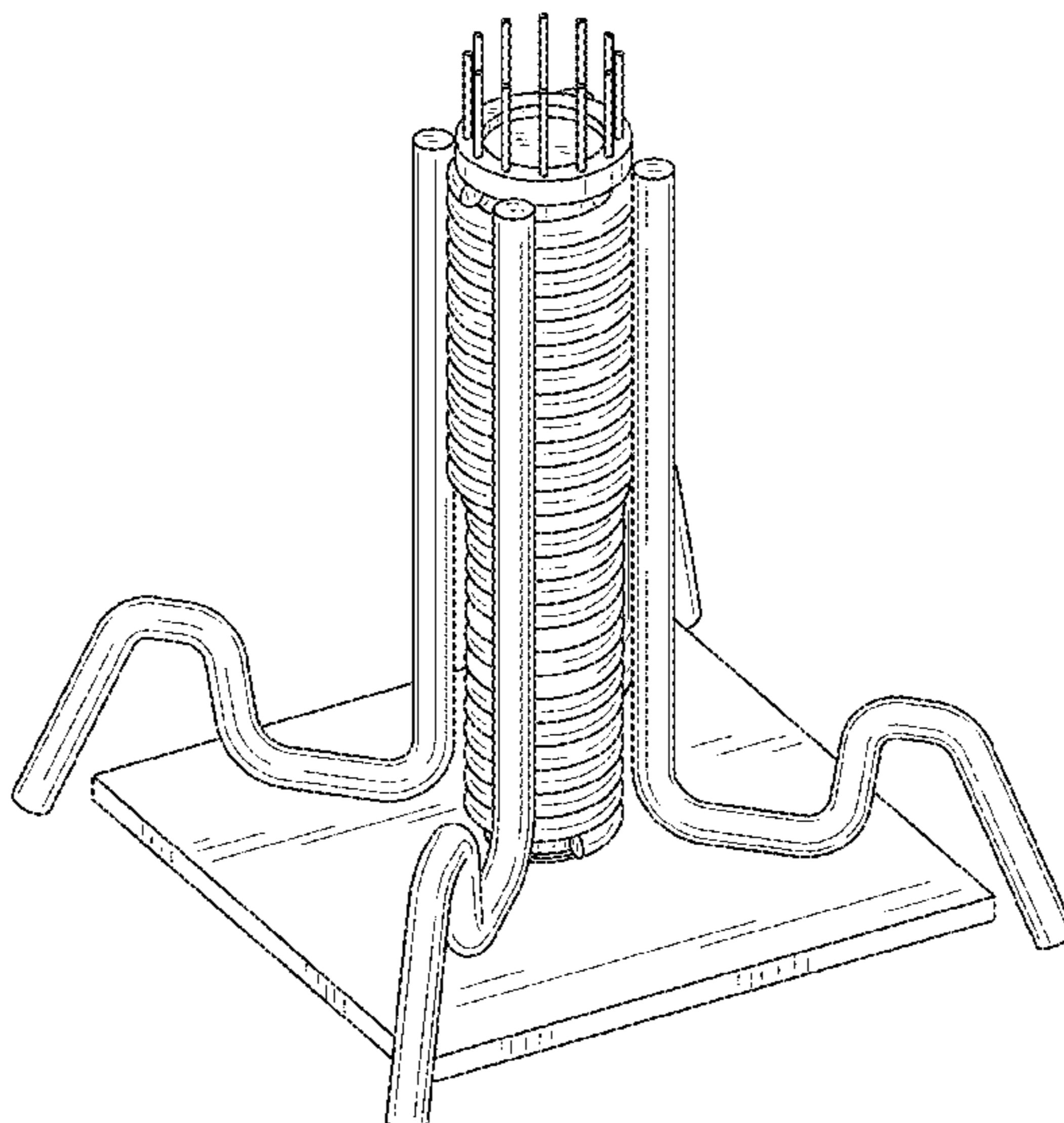
DESCRIPTION

U.S. PATENT DOCUMENTS

991,517 A 5/1911 Kennedy
1,185,765 A 6/1916 Brooks
1,977,524 A * 10/1934 Naturkacz B66F 3/30
254/93 H
2,075,714 A 3/1937 Wilson
2,309,451 A 1/1943 Hasenburger et al.
2,625,815 A 1/1953 Black
2,772,560 A 12/1956 Neptune
2,952,947 A 9/1960 White
2,954,647 A 10/1960 Hsiang
3,095,672 A 7/1963 Di Tullio et al.
3,216,157 A 11/1965 Pinter
3,222,030 A * 12/1965 Thorpe E04F 15/02452
254/100

FIG. 1 is a perspective view of a lift level according to an embodiment of the claimed design;
FIG. 2 is a front elevation view of the lift level of FIG. 1;
FIG. 3 is a rear elevation view of the lift level of FIG. 1;
FIG. 4 is a right elevation view of the lift level of FIG. 1;
FIG. 5 is a left elevation view of the lift level of FIG. 1;
FIG. 6 is a top plan view of the lift level of FIG. 1; and,
FIG. 7 is a bottom plan view of the lift level of FIG. 1.
For accuracy with the elected embodiment, the special broken line description immediately before the claim has been deleted from the specification.

1 Claim, 7 Drawing Sheets



(56)

References Cited

U.S. PATENT DOCUMENTS

3,705,469 A 12/1972 Eriksson
 3,715,851 A 2/1973 Bennett
 4,000,591 A 1/1977 Courtois
 4,204,711 A 5/1980 Lancelot, III et al.
 4,290,638 A 9/1981 Manning
 4,325,575 A 4/1982 Holt et al.
 4,437,276 A 3/1984 Goldberg
 4,512,121 A 4/1985 Carydias et al.
 4,627,198 A 12/1986 Francies, III
 4,650,276 A 3/1987 Lanzisera et al.
 5,257,490 A 11/1993 Endo et al.
 5,542,225 A 8/1996 Endo et al.
 5,588,263 A 12/1996 Kelly et al.
 5,623,804 A 4/1997 Kelly et al.
 5,649,782 A 7/1997 Frohlich et al.
 5,653,078 A 8/1997 Kies et al.
 D396,926 S * 8/1998 Underhill D34/31
 D436,674 S 1/2001 Lancelot, III et al.
 D437,063 S 1/2001 Lancelot, III et al.
 D438,649 S 3/2001 Lancelot, III et al.
 D438,991 S 3/2001 Lancelot, III et al.
 6,256,939 B1 * 7/2001 Snyder E04D 11/007
 52/126.6
 6,350,093 B1 2/2002 Petersen et al.
 6,460,824 B1 10/2002 Lancelot, III et al.
 6,558,071 B1 5/2003 Sproules
 6,647,674 B1 11/2003 Lancelot, III et al.
 6,688,808 B2 2/2004 Lee
 6,729,079 B2 5/2004 Francies, III et al.
 6,755,385 B2 6/2004 Lancelot, III et al.
 6,761,007 B2 7/2004 Lancelot, III et al.
 6,769,663 B2 8/2004 Kelly et al.
 6,892,722 B1 5/2005 Francies, III et al.
 7,111,432 B2 9/2006 Hansort
 7,222,460 B2 5/2007 Francies, III et al.
 7,461,492 B1 12/2008 Francies, III et al.
 7,788,860 B2 9/2010 Bartman et al.
 8,667,746 B1 3/2014 Francies, III
 8,677,697 B2 3/2014 Eklund et al.
 8,695,287 B1 4/2014 Francies, III
 8,800,220 B1 8/2014 Francies, III
 8,844,239 B2 9/2014 Garot
 8,875,471 B2 11/2014 Siqueiros
 8,898,964 B1 12/2014 Francies, III
 9,003,720 B2 4/2015 Siqueiros
 D732,787 S * 6/2015 Chen D34/31
 9,062,452 B2 6/2015 Espinosa
 D738,589 S * 9/2015 Pelc D34/31
 9,151,065 B1 10/2015 Francies, III
 9,222,251 B2 12/2015 Espinosa
 9,347,232 B1 5/2016 Francies, III
 D772,040 S * 11/2016 Grant D8/354
 D789,015 S * 6/2017 Shu D34/28
 D799,778 S * 10/2017 Gilman D34/31
 RE46,831 E 5/2018 Francies
 2002/0116881 A1 * 8/2002 Zimmerman B66F 3/10
 52/126.6

2003/0208969 A1 11/2003 Lancelot et al.
 2004/0074170 A1 * 4/2004 Huang E04F 15/02452
 52/220.1
 2006/0016140 A1 1/2006 Smith
 2011/0192111 A1 8/2011 White et al.
 2012/0255242 A1 * 10/2012 Patton E01D 15/14
 52/126.6
 2013/0067849 A1 3/2013 Espinosa
 2014/0026515 A1 1/2014 Espinosa
 2014/0053475 A1 2/2014 Siqueiros
 2014/0150356 A1 6/2014 Reed
 2015/0096242 A1 4/2015 Lin
 2016/0040439 A1 * 2/2016 Pelc E04F 15/02452
 52/126.6
 2016/0138280 A1 5/2016 Lutes
 2017/0022711 A1 * 1/2017 Gilman E04C 5/168
 2017/0226702 A1 8/2017 Connell et al.
 2018/0023296 A1 1/2018 Recker
 2018/0187412 A1 7/2018 Espinosa
 2018/0274233 A1 * 9/2018 Recker E04B 5/04
 2019/0284803 A1 * 9/2019 Recker E01C 23/10

FOREIGN PATENT DOCUMENTS

JP 2011-117128 6/2011
 KR 2011-0043026 4/2011

OTHER PUBLICATIONS

U.S. Appl. No. 16/430,171, filed Jun. 3, 2019, Recker et al.
 Official Action for U.S. Appl. No. 16/430,171, dated Jul. 22, 2019, 6 pages.
 U.S. Appl. No. 15/664,087, filed May 31, 2018, Recker.
 "Vertical Adjustment Tube Non-Structural Item," MeadowBurke, schematic diagram A-4205, Mar. 11, 2008, 1 page.
 "(Special) Vertical Adjustment Assembly," MeadowBurke, schematic diagram A-1344, Nov. 18, 2003, 1 page.
 "Vertical Adjustment Plate Non-Structural Item," MeadowBurke, schematic diagram A-5731, Jul. 15, 2011, 1 page.
 "Leveling Insert (Gracie)," MeadowBurke, schematic diagram A-6225, Jul. 29, 2013, 1 page.
 Official Action for U.S. Appl. No. 15/656,486, dated Feb. 22, 2018, 7 pages.
 Notice of Allowance for U.S. Appl. No. 15/656,486, dated Jun. 28, 2018 7 pages.
 Corrected Notice of Allowability for U.S. Appl. No. 15/656,486, dated Jul. 23, 2018 3 pages.
 Official Action for U.S. Appl. No. 15/994,087, dated Sep. 7, 2018 11 pages.
 "Inserts," Meadow Burke, Apr. 1991, Product Catalog, p. 127.
 "Tilt-Up Bracing Hardware," Meadow Burke, Jan. 2004, Product Catalog, pp. 90-91.
 Notice of Allowance for U.S. Appl. No. 15/994,087, dated Jan. 23, 2019 9 pages.

* cited by examiner

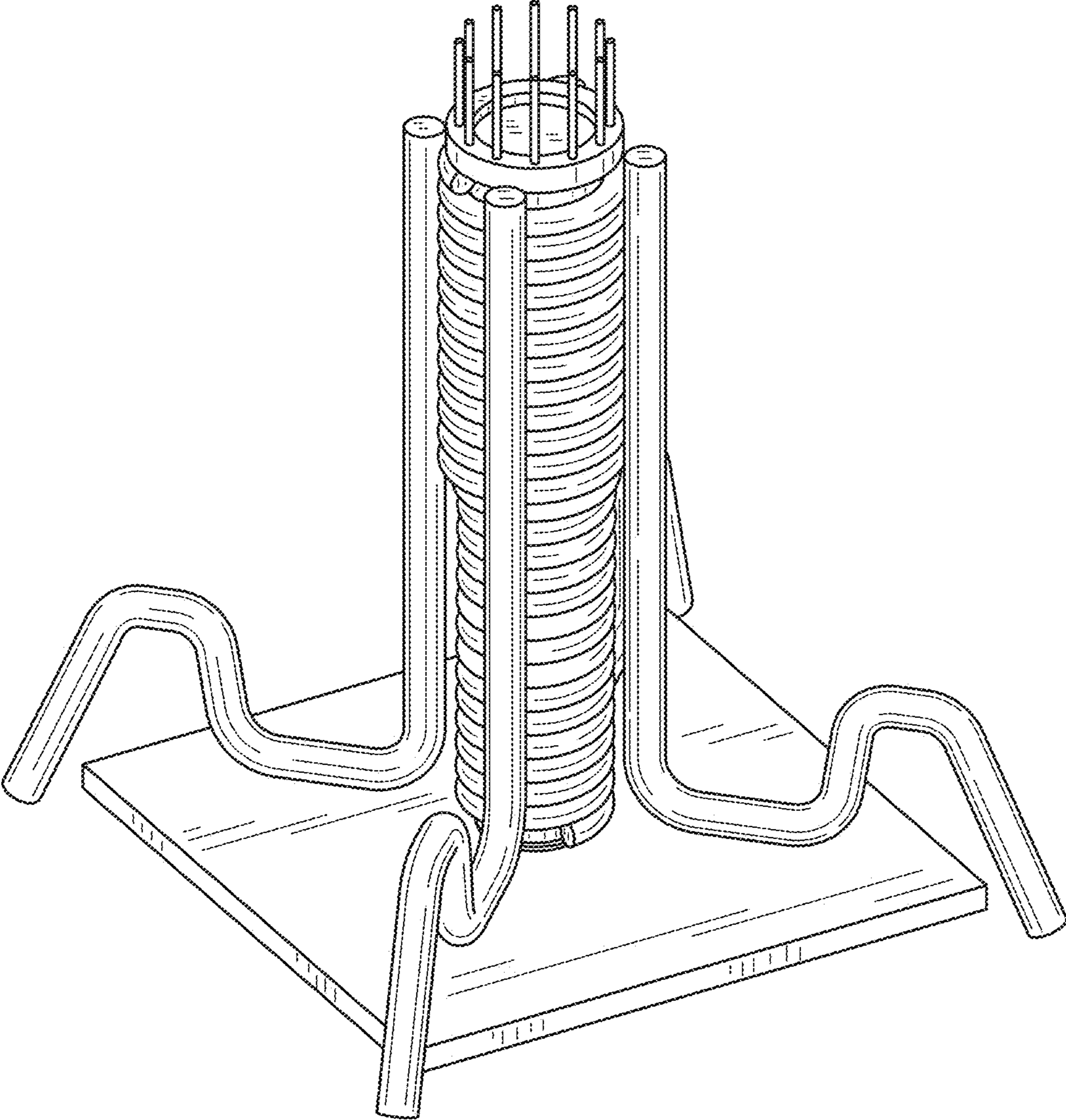


FIG. 1

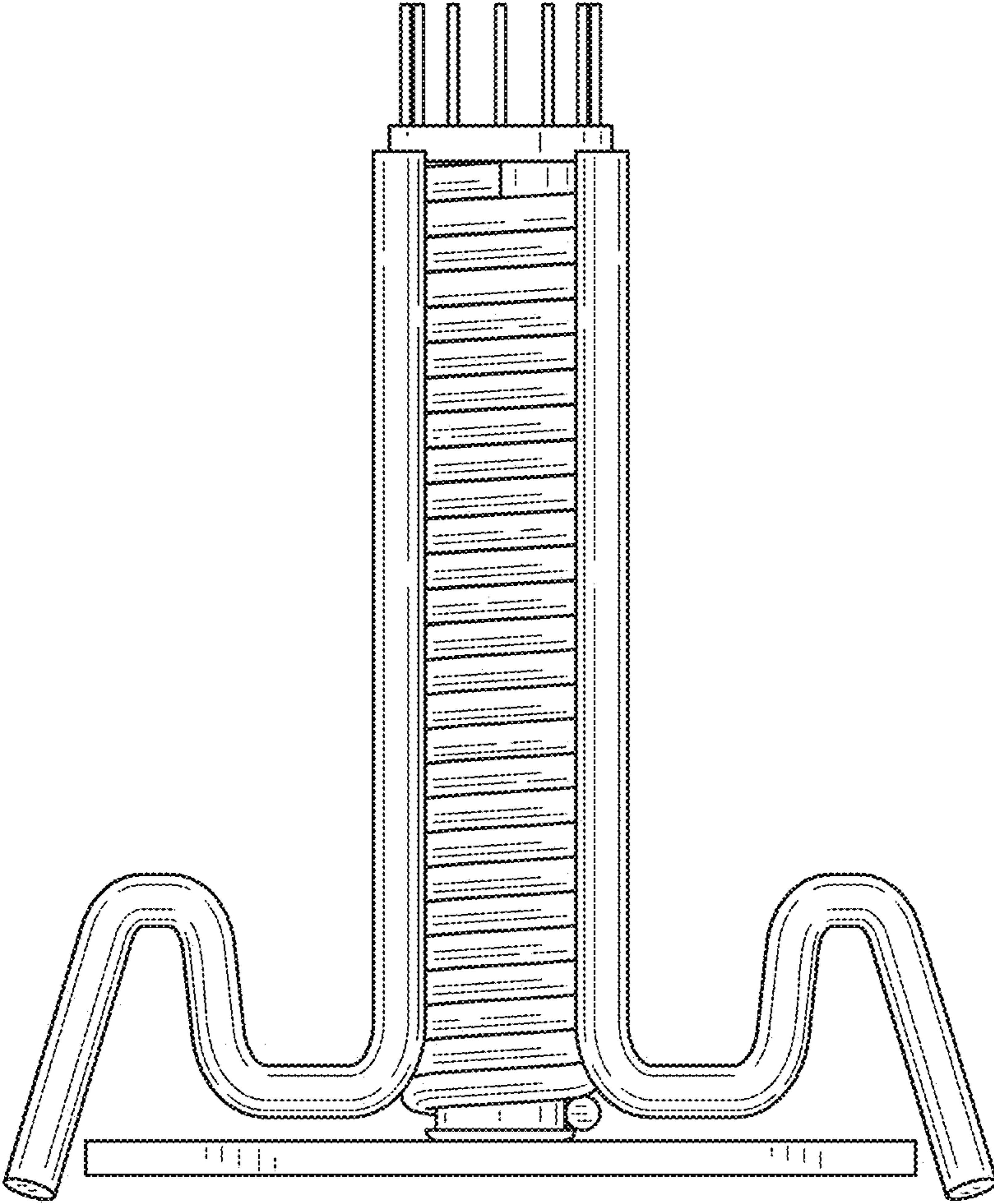


FIG.2

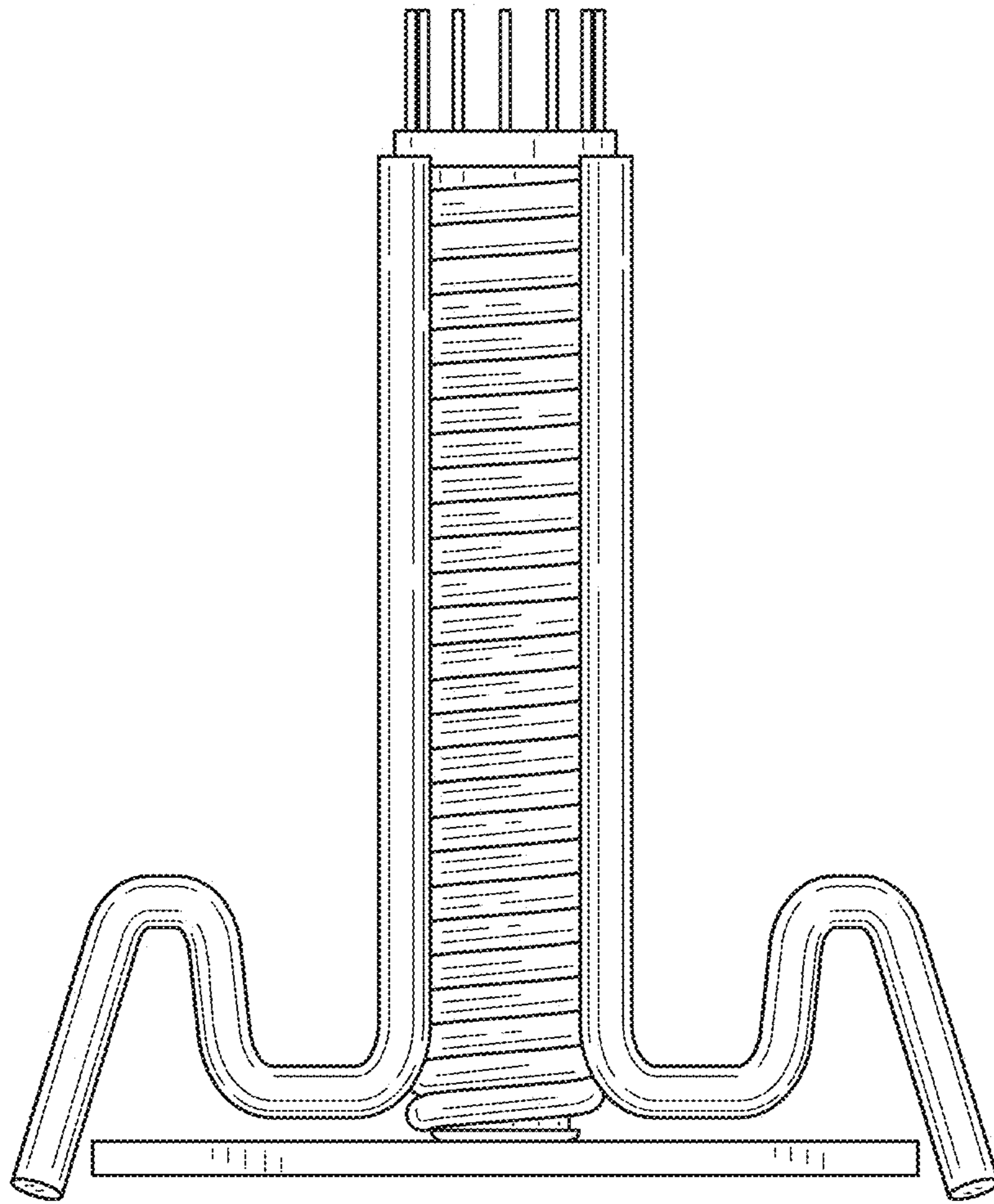


FIG.3

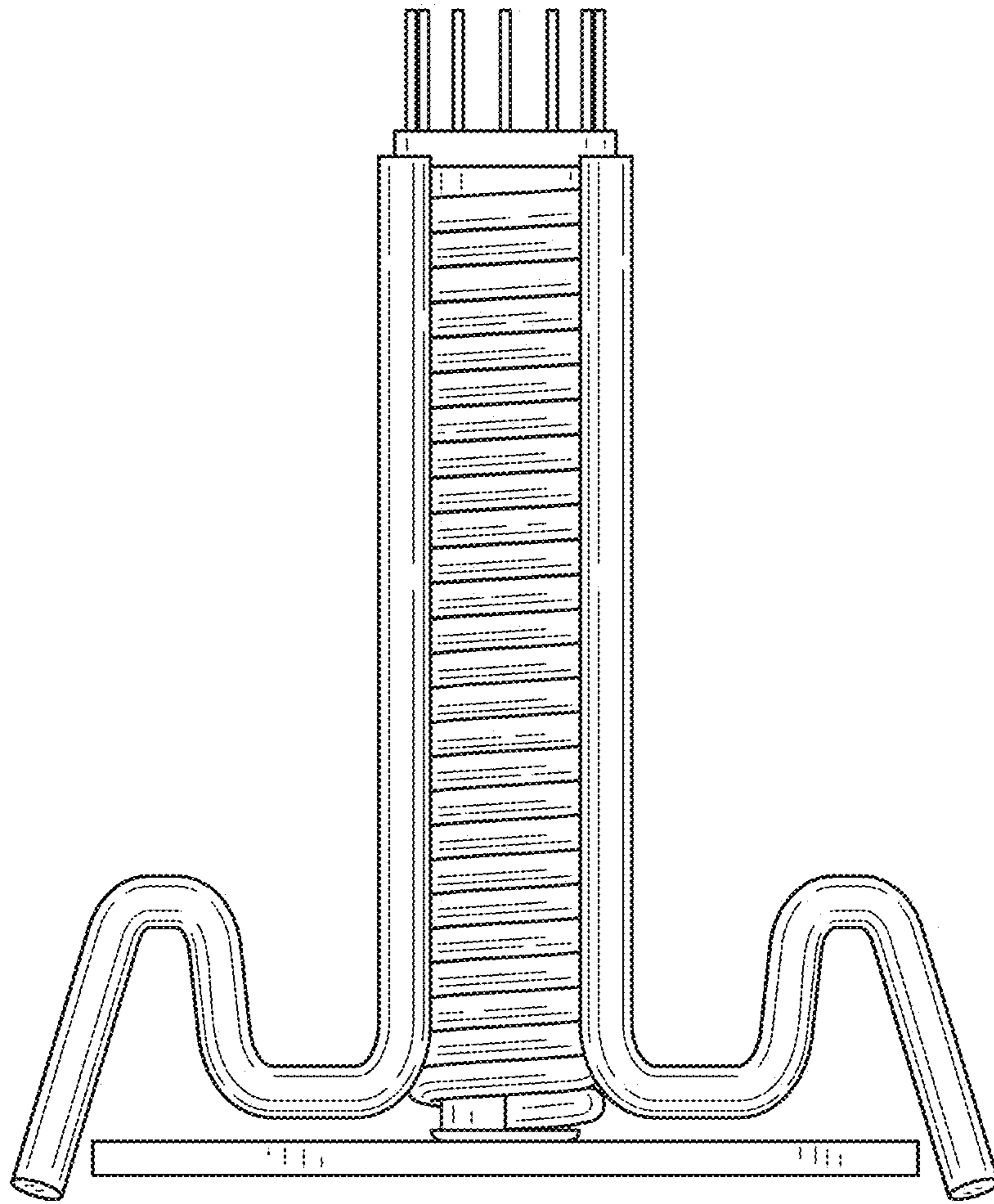


FIG.4

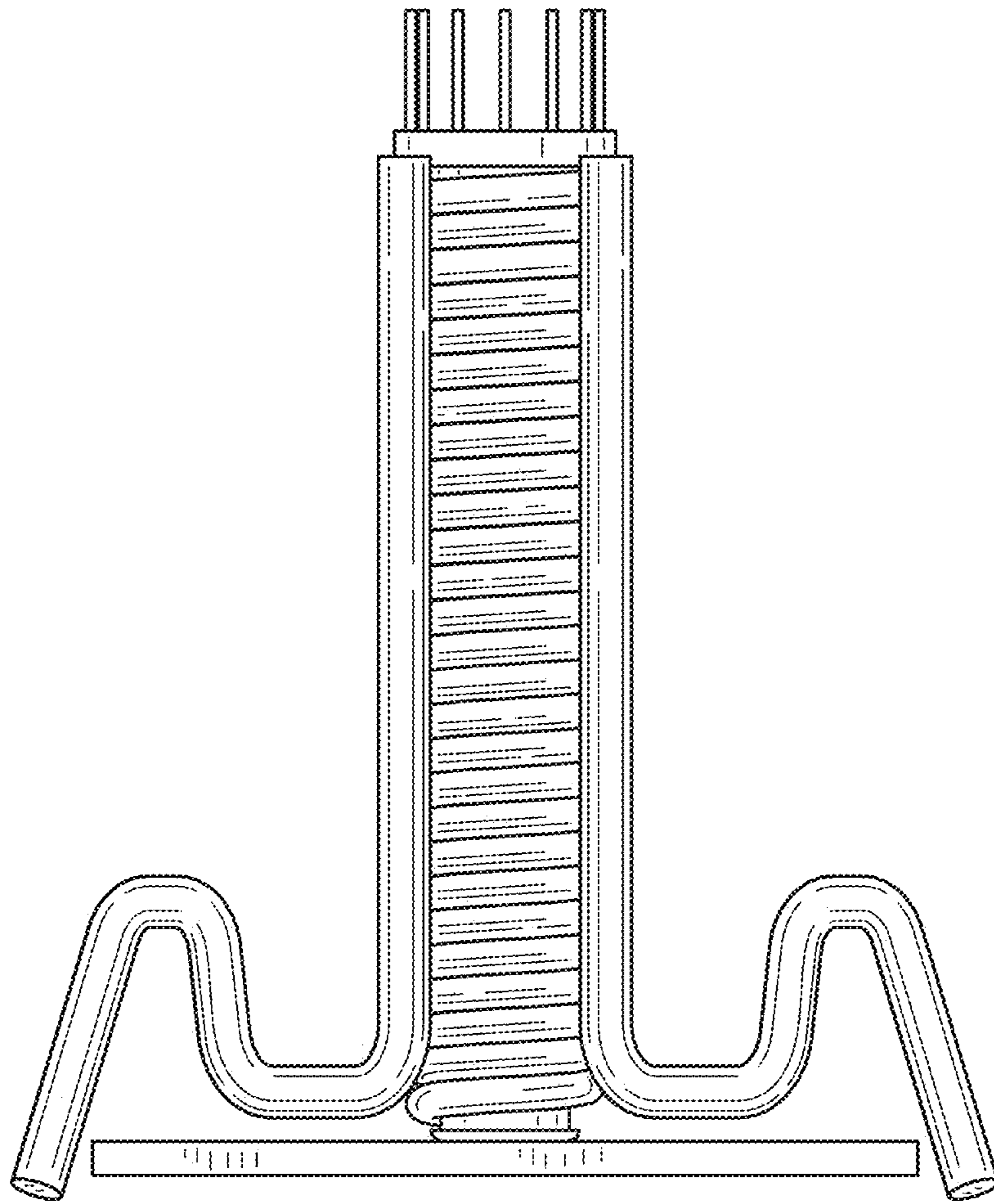


FIG.5

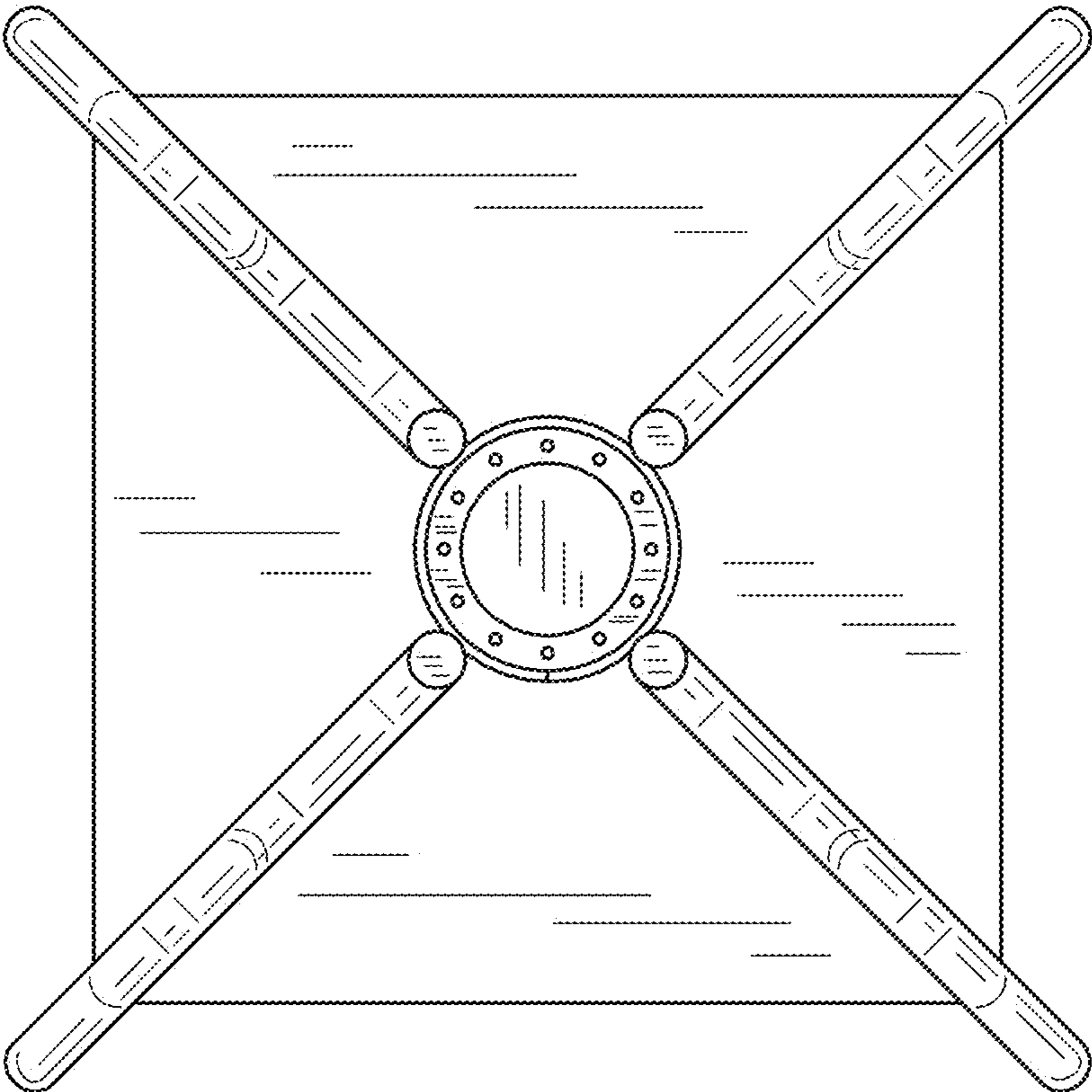


FIG.6

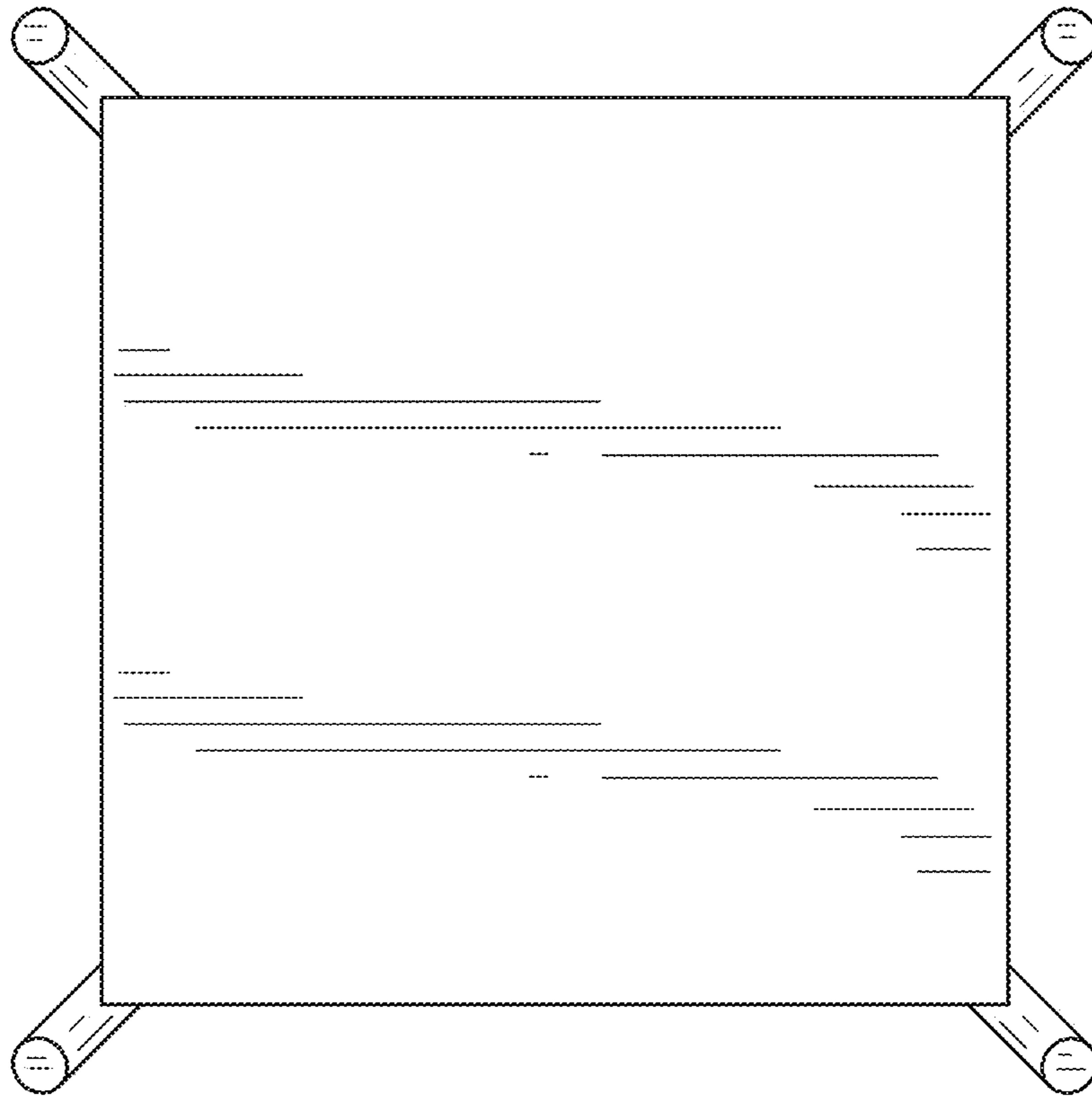


FIG.7