



US00D882904S

(12) **United States Design Patent**
Schmidgall et al.

(10) **Patent No.:** **US D882,904 S**

(45) **Date of Patent:** **** Apr. 28, 2020**

(54) **RADIAL TELESCOPIC CONVEYOR**

(71) Applicant: **Superior Industries, Inc.**, Morris, MN (US)

(72) Inventors: **Alan Schmidgall**, Morris, MN (US); **Travis Thooft**, Morris, MN (US); **Lafe Grimm**, Morris, MN (US); **Zachary Ourada**, Morris, MN (US)

(73) Assignee: **Superior Industries, Inc.**, Morris, MN (US)

(**) Term: **15 Years**

(21) Appl. No.: **29/649,047**

(22) Filed: **May 25, 2018**

(51) **LOC (12) Cl.** **12-05**

(52) **U.S. Cl.**
USPC **D34/28**

(58) **Field of Classification Search**
USPC 406/1, 2, 3, 38, 39, 83; 198/300, 311, 198/320, 699.1, 818, 821, 823-830, 841, 198/866; D34/28, 29, 35; D15/10, 28

CPC B65G 21/06; B65G 37/02; B65G 21/10; B65G 47/34; B65G 53/00; B65G 65/42
See application file for complete search history.

(56) **References Cited**

U.S. PATENT DOCUMENTS

- 1,255,750 A * 2/1918 Humphrey B28C 5/4255
198/320
- 1,842,399 A * 1/1932 Ghent B65G 41/002
198/311
- 1,989,537 A * 1/1935 Wentz B65G 21/22
198/320
- 2,022,146 A * 11/1935 Ossing B65G 41/002
198/320
- 2,139,834 A * 12/1938 Levin B65G 21/02
198/841

- 2,343,133 A * 2/1944 Blank B65G 41/002
198/311
- 2,370,248 A * 2/1945 Kent A01C 3/04
198/311
- 2,391,053 A * 12/1945 Lewis B65G 41/002
198/320
- 2,425,695 A * 8/1947 Fees B65G 65/00
198/311
- 2,490,538 A * 12/1949 Newell A01K 31/04
198/320

(Continued)

OTHER PUBLICATIONS

KPI-JCI Astec Companies, "Telescoping Radial Stacker—Model 33-36170 Super Stacker", South Dakota, Sep. 5, 2013, 2 pages.

(Continued)

Primary Examiner — Cynthia Ramirez

Assistant Examiner — Michael A Maharajh

(74) *Attorney, Agent, or Firm* — Todd R. Fronck; Larkin Hoffman Daly & Lindgren, Ltd.

(57) **CLAIM**

What is claimed is the ornamental design for a radial telescopic conveyor, as shown and described.

DESCRIPTION

FIG. 1 is a perspective view of a radial telescopic conveyor showing our new design;
FIG. 2 is a right elevation view thereof;
FIG. 3 is a left elevation view thereof;
FIG. 4 is a plan view thereof;
FIG. 5 is a bottom view thereof;
FIG. 6 is a rear elevation view thereof; and,
FIG. 7 is a front elevation view thereof.
The broken lines shown in the drawings illustrate portions of the radial telescopic conveyor that form no part of the claimed design.

1 Claim, 7 Drawing Sheets



(56)

References Cited

U.S. PATENT DOCUMENTS

2,511,672 A *	6/1950	Kemmer	B65G 41/002	3,365,050 A *	1/1968	Taylor	B28C 7/0007
			198/311				198/311
2,533,261 A *	12/1950	Howe	B65G 41/002	3,401,788 A *	9/1968	Reese	B65G 33/34
			198/320				198/320
2,542,885 A *	2/1951	Troyer	B65G 41/002	3,563,364 A *	2/1971	Arndt	B65G 41/002
			198/320				198/316.1
2,549,990 A *	4/1951	Skelton	B65G 41/002	3,752,298 A *	8/1973	Wenger	B65G 21/06
			198/320				198/816
2,550,904 A *	5/1951	Bernard	B65G 41/002	4,000,805 A *	1/1977	Hadler	B65G 41/002
			198/320				198/320
2,553,488 A *	5/1951	Vutz	B65G 41/002	D244,925 S *	7/1977	O'Neill	D15/147
			198/320	4,206,839 A *	6/1980	Young	B65G 41/002
2,568,865 A *	9/1951	Neighbour	B65G 41/002				198/320
			198/320	D259,036 S *	4/1981	Hansen	D15/10
2,573,908 A *	11/1951	Hyman	B65G 41/002	4,369,871 A *	1/1983	Patten	B65G 41/002
			198/320				198/320
2,579,963 A *	12/1951	Randolph	B65G 41/002	4,416,366 A *	11/1983	Maryonovich	B65G 21/12
			198/315				198/320
2,580,633 A *	1/1952	Williams	A01D 87/122	4,489,818 A *	12/1984	Franke	B65G 65/28
			198/310				198/303
2,584,322 A *	2/1952	Baldwin	A01C 9/00	4,607,740 A *	8/1986	Jelbart	B65G 41/002
			198/311				198/320
2,592,480 A *	4/1952	Slocum	B65G 65/22	4,702,366 A *	10/1987	Zaccaron	B28C 7/0817
			198/320				198/509
2,593,023 A *	4/1952	Haase	A01D 87/122	4,963,066 A *	10/1990	Boppart	B60P 1/40
			198/320				198/311
2,598,470 A *	5/1952	Vutz	A01D 87/00	5,090,550 A *	2/1992	Axmann	B65G 21/10
			198/320				198/311
2,601,916 A *	7/1952	Bobrowski	B65G 41/002	5,165,512 A *	11/1992	Driear	B65G 41/002
			198/320				198/318
2,604,203 A *	7/1952	Neighbour	B65G 41/002	5,343,995 A *	9/1994	Scarrow	B65G 69/0441
			198/320				198/311
2,606,643 A *	8/1952	Tidwell	B65G 65/22	5,515,961 A	5/1996	Murphy et al.	
			198/320	6,296,109 B1	10/2001	Nohl	
2,606,648 A *	8/1952	Smoker	B65G 41/002	6,471,031 B1 *	10/2002	Duncalf	B65G 21/12
			198/320				198/311
2,615,560 A *	10/1952	Robinson	B65G 41/002	7,284,947 B1	10/2007	Felton	
			198/320	7,866,456 B2 *	1/2011	Bauman	B65G 33/00
2,621,777 A *	12/1952	Tintes	B65G 41/002				198/311
			198/320	8,118,151 B1 *	2/2012	Jesse	B65G 33/14
2,623,629 A *	12/1952	Bennett	B65G 41/002				198/315
			198/320	8,662,285 B2 *	3/2014	Jesse	B65G 41/002
2,626,039 A *	1/1953	Wetherington	B65G 41/002				198/300
			198/301	D722,738 S *	2/2015	Friesen	D34/28
2,630,905 A *	3/1953	Howe	B65G 41/002	D809,238 S *	1/2018	Tratch	D34/35
			198/311	D816,124 S *	4/2018	Wyser	D15/10
2,642,175 A *	6/1953	Mahoney	B65G 41/002	2002/0070098 A1 *	6/2002	Eberle	B65G 41/002
			198/315				198/300
2,646,157 A *	7/1953	Belt	A01D 87/02	2006/0175180 A1 *	8/2006	Smith	B65G 41/002
			198/320				198/320
2,675,905 A *	4/1954	Stone	B65G 41/002	2007/0089966 A1 *	4/2007	Gausman	B65G 47/18
			198/320				198/311
2,710,090 A *	6/1955	Fulper	B65G 23/00	2011/0127138 A1 *	6/2011	Sanders	B65G 33/18
			198/320				198/300
2,718,296 A *	9/1955	Johnson	B65G 41/002	2012/0175218 A1 *	7/2012	Jesse	B65G 33/14
			198/311				198/300
2,746,592 A *	5/1956	Wilcoxon	B65G 41/002	2012/0285795 A1 *	11/2012	Dekoning	B65G 21/2081
			198/320				198/311
2,856,062 A *	10/1958	Kling	B65G 65/28	2013/0168209 A1 *	7/2013	Fanshier	A01D 87/02
			198/311				198/699.1
2,998,120 A *	8/1961	Hagen	A01D 87/00	2013/0270060 A1 *	10/2013	Houssian	B65G 33/14
			198/320				198/300
3,037,612 A *	6/1962	Matheson	B65G 41/002	2015/0175356 A1 *	6/2015	Stenson	B65G 19/14
			198/320				198/821
3,092,239 A *	6/1963	Mayrath	B65G 41/002	2019/0210807 A1 *	7/2019	Kornelsen	B65G 15/12
			198/320				
3,147,855 A *	9/1964	Mayrath	B65G 41/002				
			198/320				
3,212,628 A *	10/1965	Massey	B65G 43/00				
			198/311				

OTHER PUBLICATIONS

Telestack Limited, "Technical Specification—RS-P—Plate Radial Stacker", Northern Ireland, 2017, 12 pages.
 Terex, "Terex MPS Conveyors", Products Brochure, 2017, 9 pages.

* cited by examiner

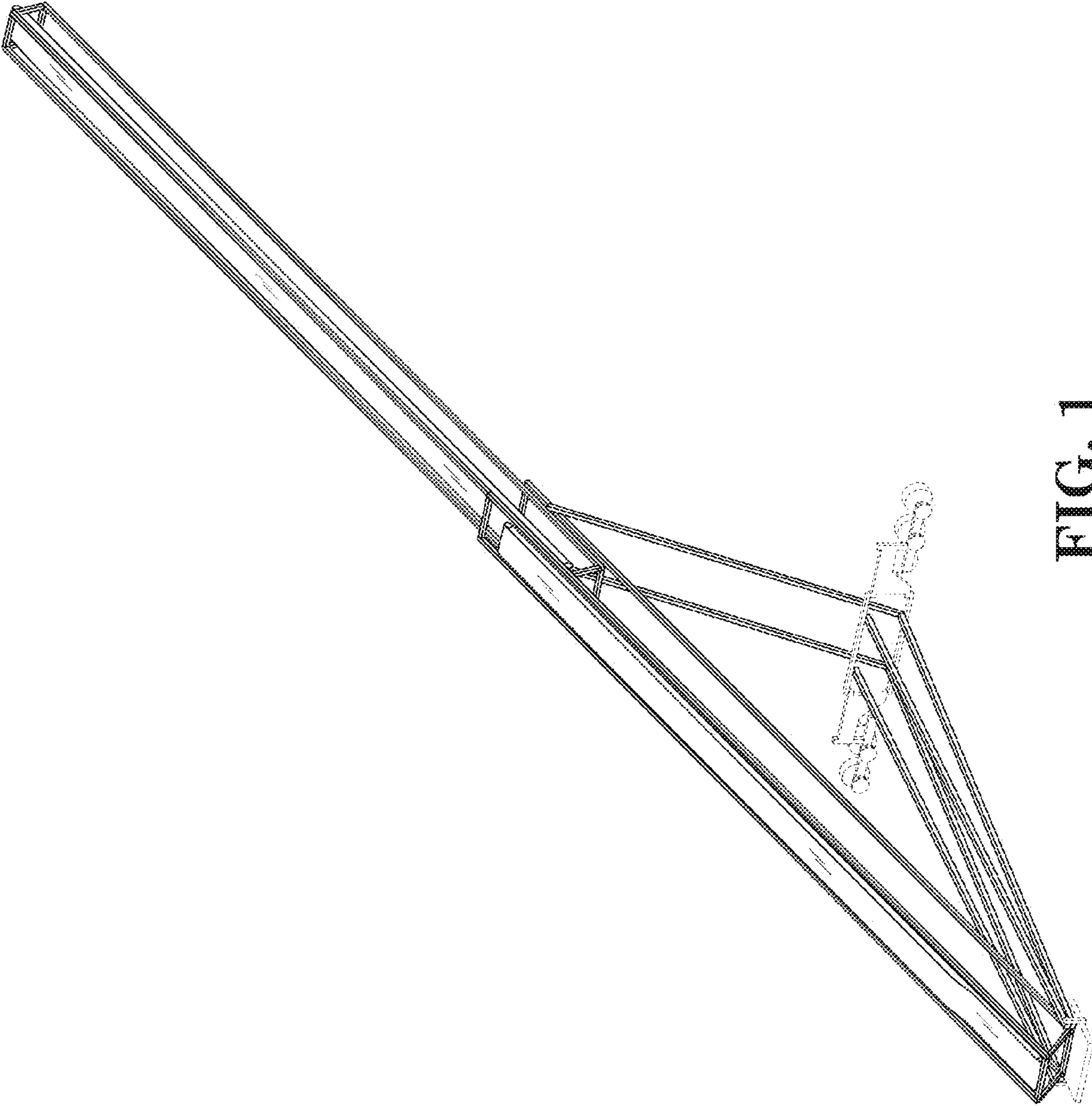


FIG. 1

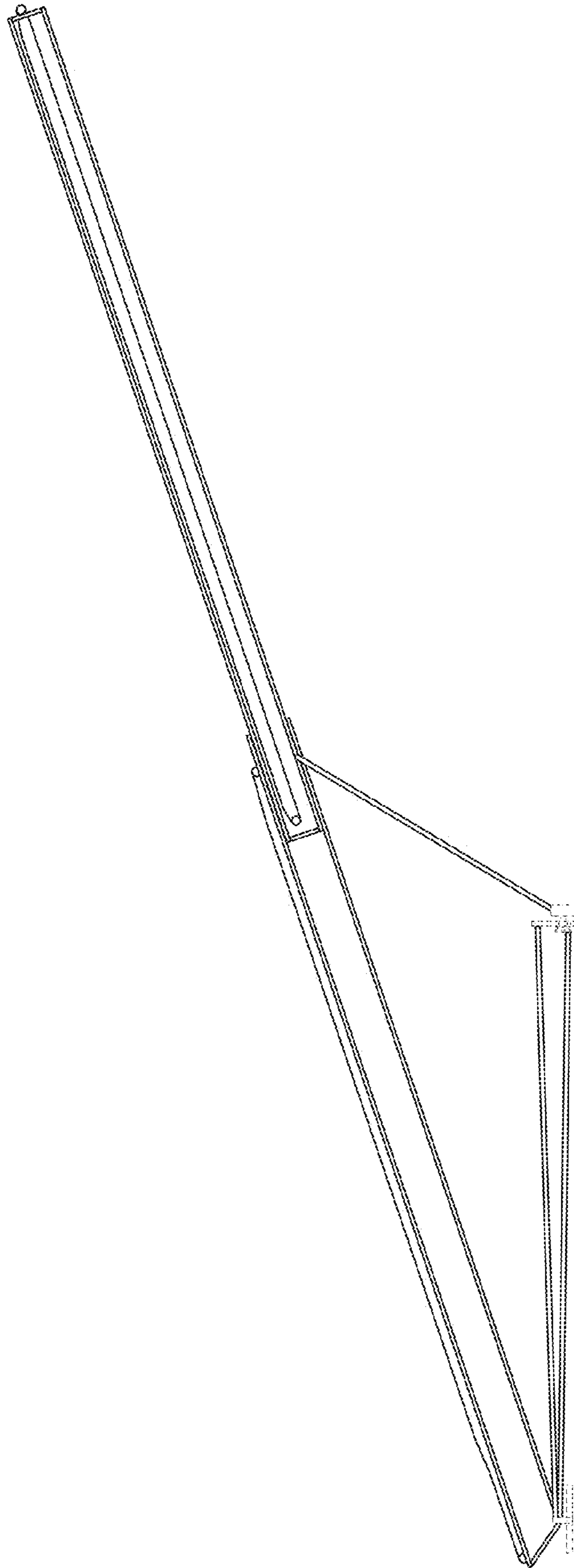


FIG. 2

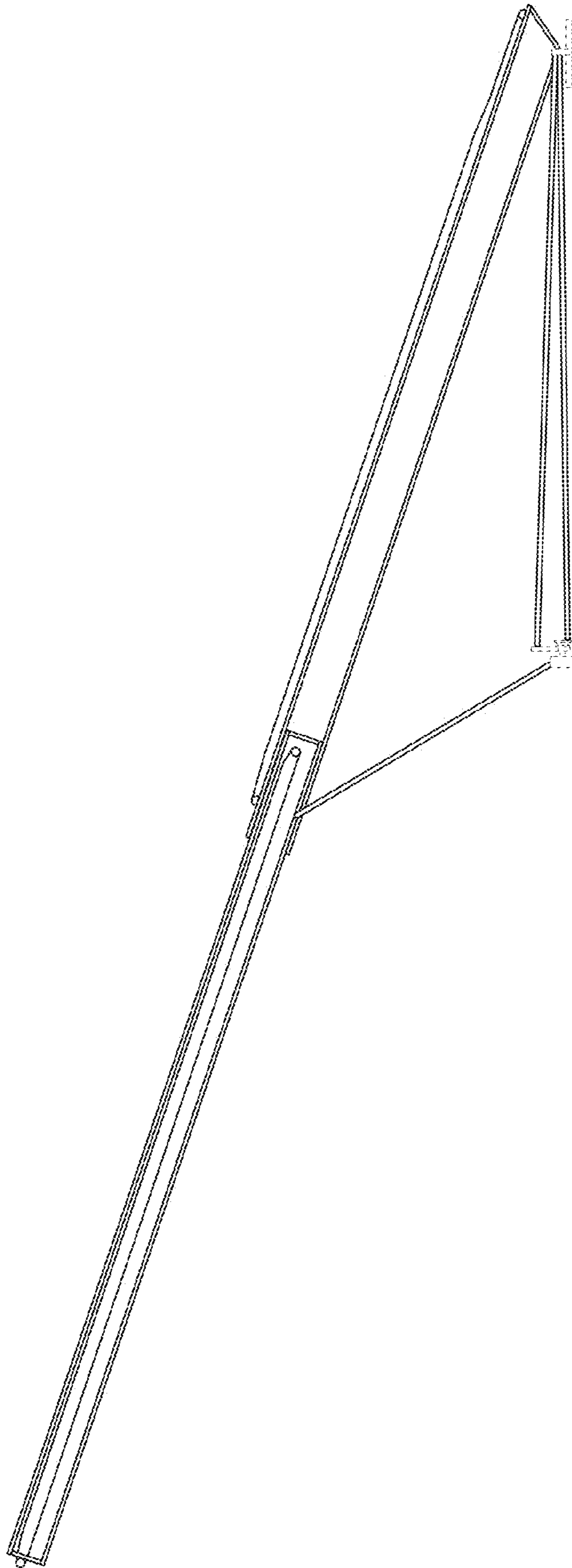


FIG. 3

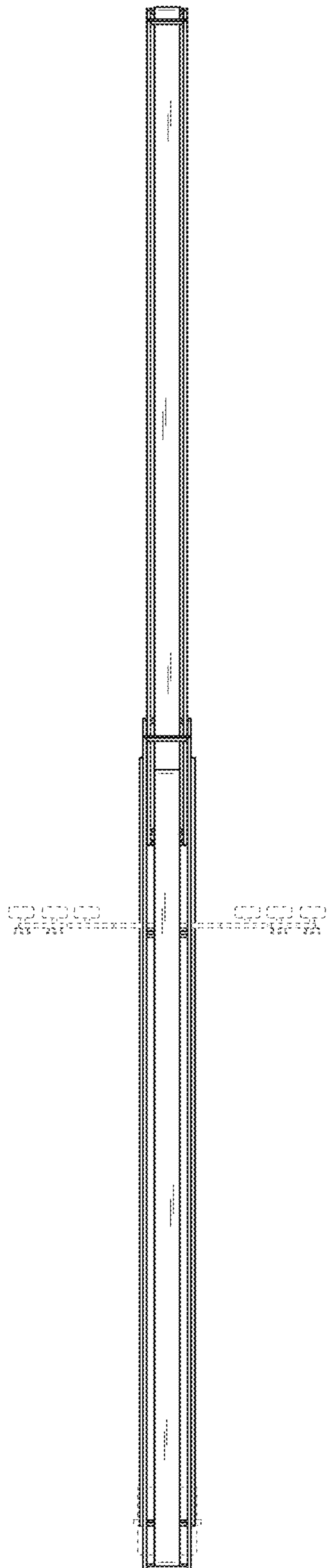


FIG. 4

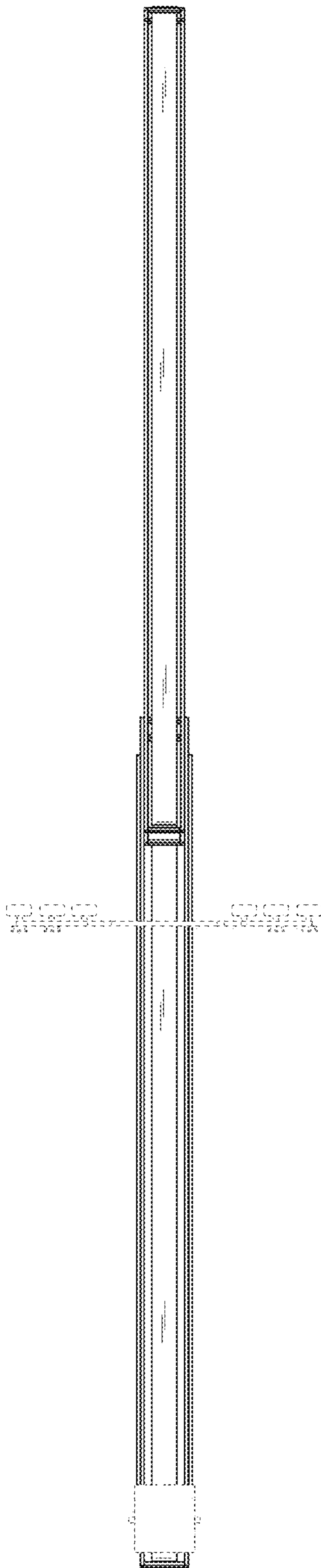


FIG. 5

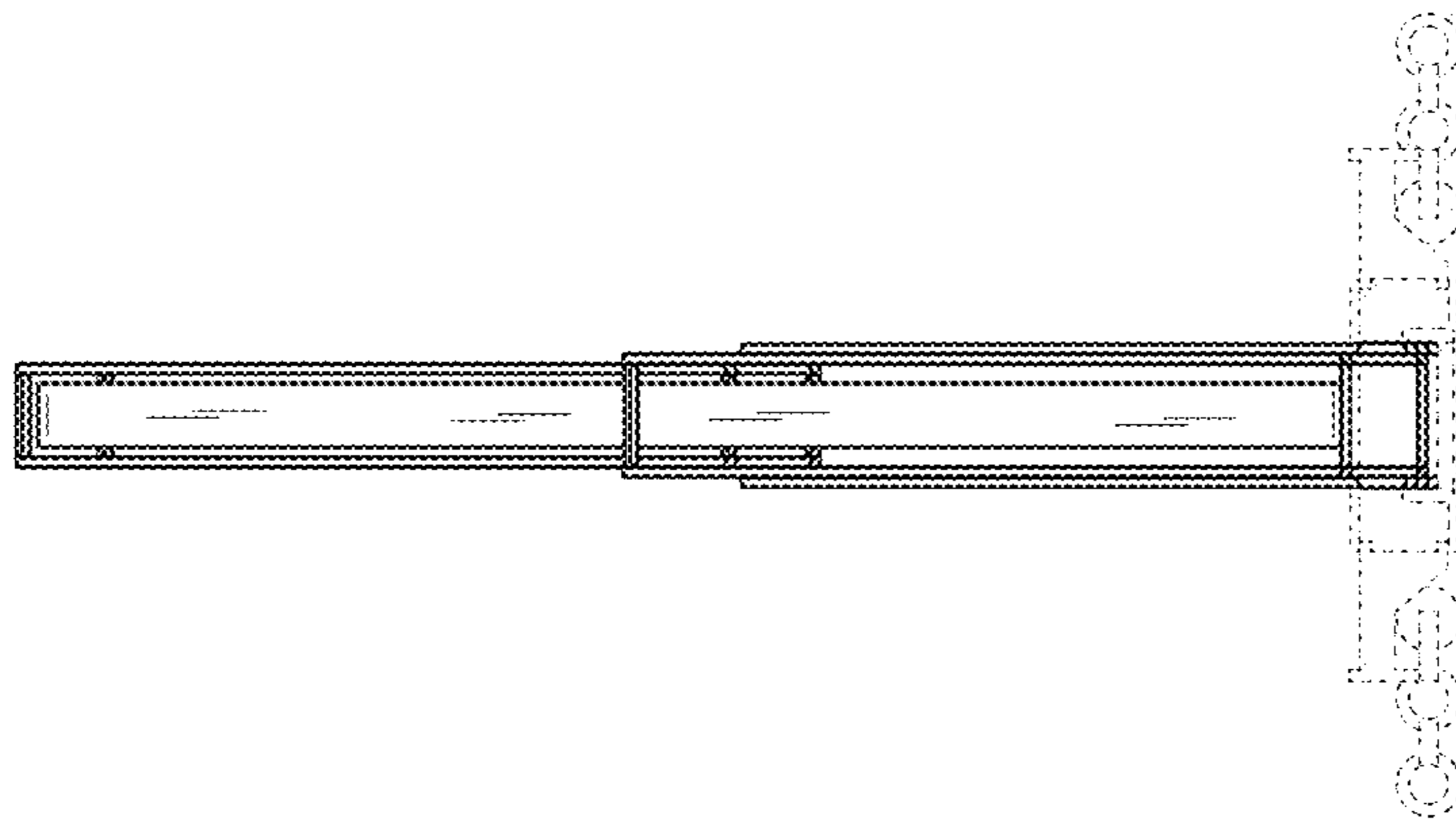


FIG. 6

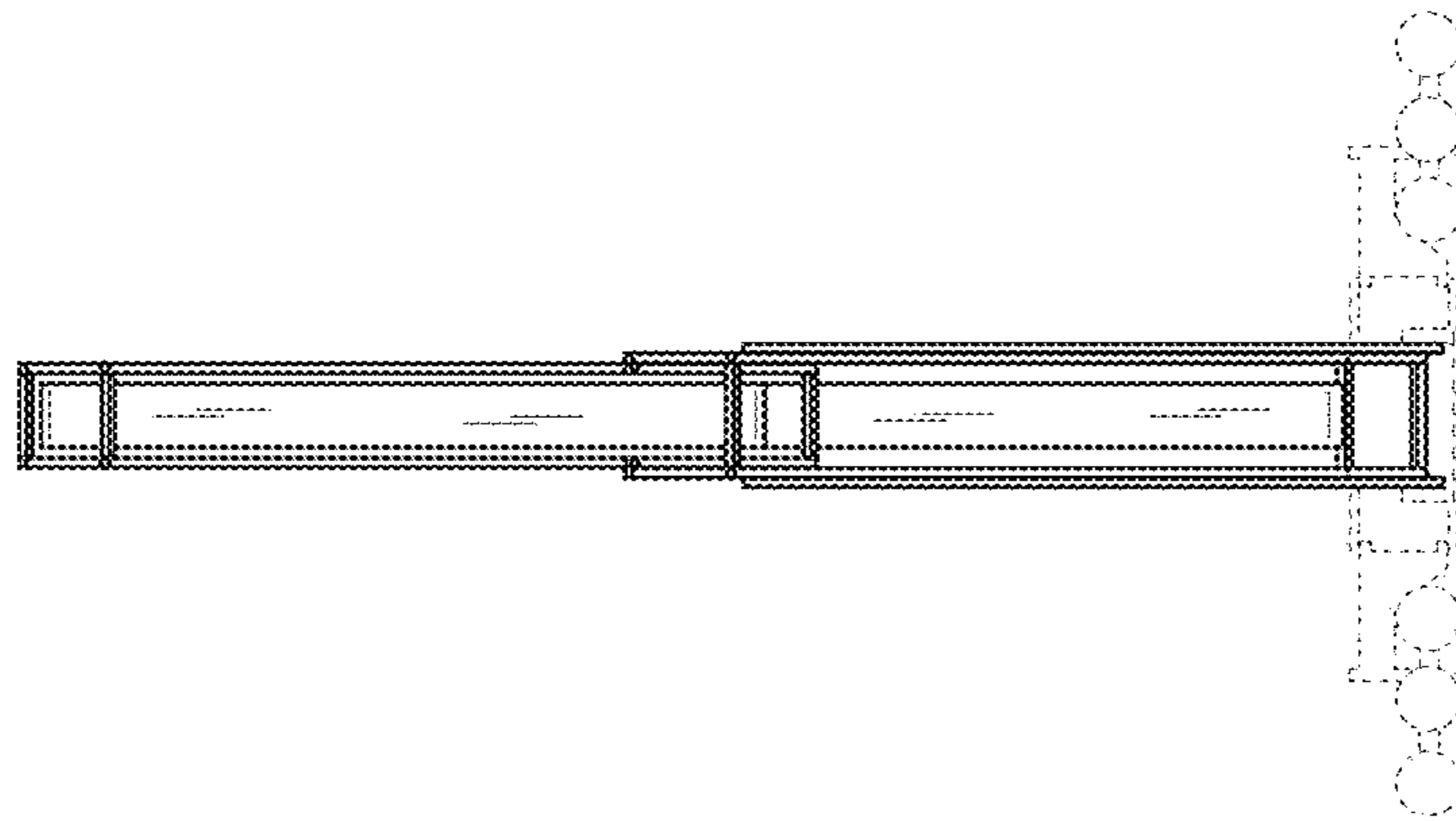


FIG. 7