



US00D882903S

(12) **United States Design Patent** (10) **Patent No.:** **US D882,903 S**
Chen (45) **Date of Patent:** **** Apr. 28, 2020**

(54) **HALF ROUND PEDAL BIN**
(71) Applicant: **EKO DEVELOPMENT LTD.,**
Guangzhou (CN)
(72) Inventor: **Yizhi Chen,** Guangzhou (CN)
(73) Assignee: **EKO Development Ltd.,** Guangzhou
(CN)

D644,806 S 9/2011 Yang et al.
D657,108 S 4/2012 Yang et al.
D657,109 S 4/2012 Liao
D675,802 S 2/2013 Yang et al.
8,820,566 B2 9/2014 Ude
D716,015 S * 10/2014 van de Leest D34/9
D719,313 S 12/2014 Kao
D720,513 S 12/2014 Yang et al.
D725,861 S 3/2015 Yang et al.
D730,008 S 5/2015 Yang et al.

(Continued)

(**) Term: **15 Years**

OTHER PUBLICATIONS

(21) Appl. No.: **29/666,008**

Belson Outdoors "Durable Two-Piece Fiberglass Trash Receptacle",
<http://www.belson.com/Open-Top-Lift-Off-20-Gallon-Round-Fiberglass-Trash-Can>. Jun. 6, 2017. shown in p. 1, Model FG1829 TPL.

(22) Filed: **Oct. 9, 2018**

(51) **LOC (12) Cl.** **09-09**

(52) **U.S. Cl.**
USPC **D34/9**

(Continued)

(58) **Field of Classification Search**
USPC D34/1, 11, 19, 27, 5, 6, 8; 220/495.06,
220/908, 262-264, 908.1
CPC B65F 1/163; B65F 1/08; B65F 1/1421;
B65F 1/068; B65F 1/1473; B65F 1/06;
B65F 1/1607; B65D 43/26; B65D 43/262
See application file for complete search history.

Primary Examiner — Gino Colan
(74) *Attorney, Agent, or Firm* — William Dippert;
Laurence Greenberg; Werner Stemer

(57) **CLAIM**

The ornamental design for a half round pedal bin, as shown and described.

(56) **References Cited**

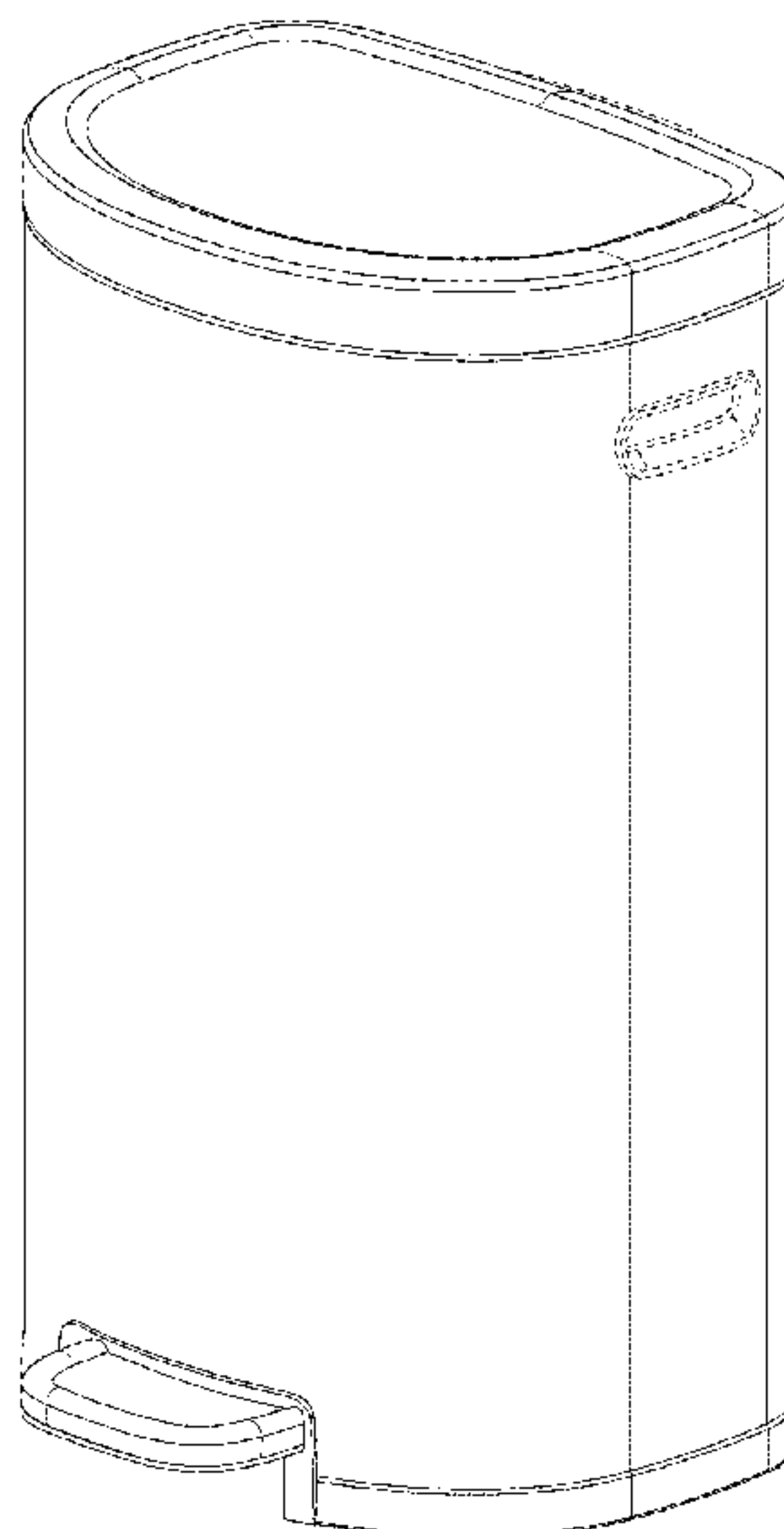
DESCRIPTION

U.S. PATENT DOCUMENTS

D246,090 S 10/1977 Gault
D335,562 S 5/1993 Evans
5,242,074 A 9/1993 Conaway et al.
D343,709 S 1/1994 Doty et al.
6,345,725 B1 2/2002 Lin
D472,357 S 3/2003 Stewart
D482,169 S 11/2003 Lin
D513,445 S * 1/2006 Lin D34/9
D525,756 S * 7/2006 Yang D34/9
D527,155 S 8/2006 Fankhauser
D552,321 S 10/2007 Yang et al.
D571,520 S 6/2008 Lin
D627,533 S 11/2010 Yang et al.
D629,579 S * 12/2010 Lin D34/9
D644,390 S 8/2011 Smeets et al.

FIG. 1 is a perspective view of a half round pedal bin, showing my new design.
FIG. 2 is a top plan view thereof.
FIG. 3 is a rear elevation view thereof.
FIG. 4 is a left-side elevation view thereof.
FIG. 5 is a front elevation view thereof.
FIG. 6 is a bottom plan view thereof; and,
FIG. 7 is a right-side elevation view thereof.
The broken lines shown in the figures are for the purpose of illustrating portions of the half round pedal bin which form no part of the claimed design.

1 Claim, 7 Drawing Sheets



(56)

References Cited

U.S. PATENT DOCUMENTS

D743,138 S * 11/2015 Sun Ting Kung D34/9
D754,413 S 4/2016 Wall
D759,934 S 6/2016 Yang et al.
D769,564 S * 10/2016 Chen D34/9
D771,344 S 11/2016 Yang et al.
D773,145 S 11/2016 Yang et al.
D793,642 S 8/2017 Yang et al.
D798,016 S * 9/2017 Yang D34/9
D830,029 S * 10/2018 Greenspon D34/9

OTHER PUBLICATIONS

Amazon "Simplehuman Bullet Open Trash Can", https://www.amazon.com/simplehuman-Bullet-Trash-Commercial-Stainless/dp/B000BHUHP0/ref=cm_cr_arp_d_product_top?ie=UTF8. Apr. 17, 2008. shown in p. 1, Model No. CW1407.

* cited by examiner

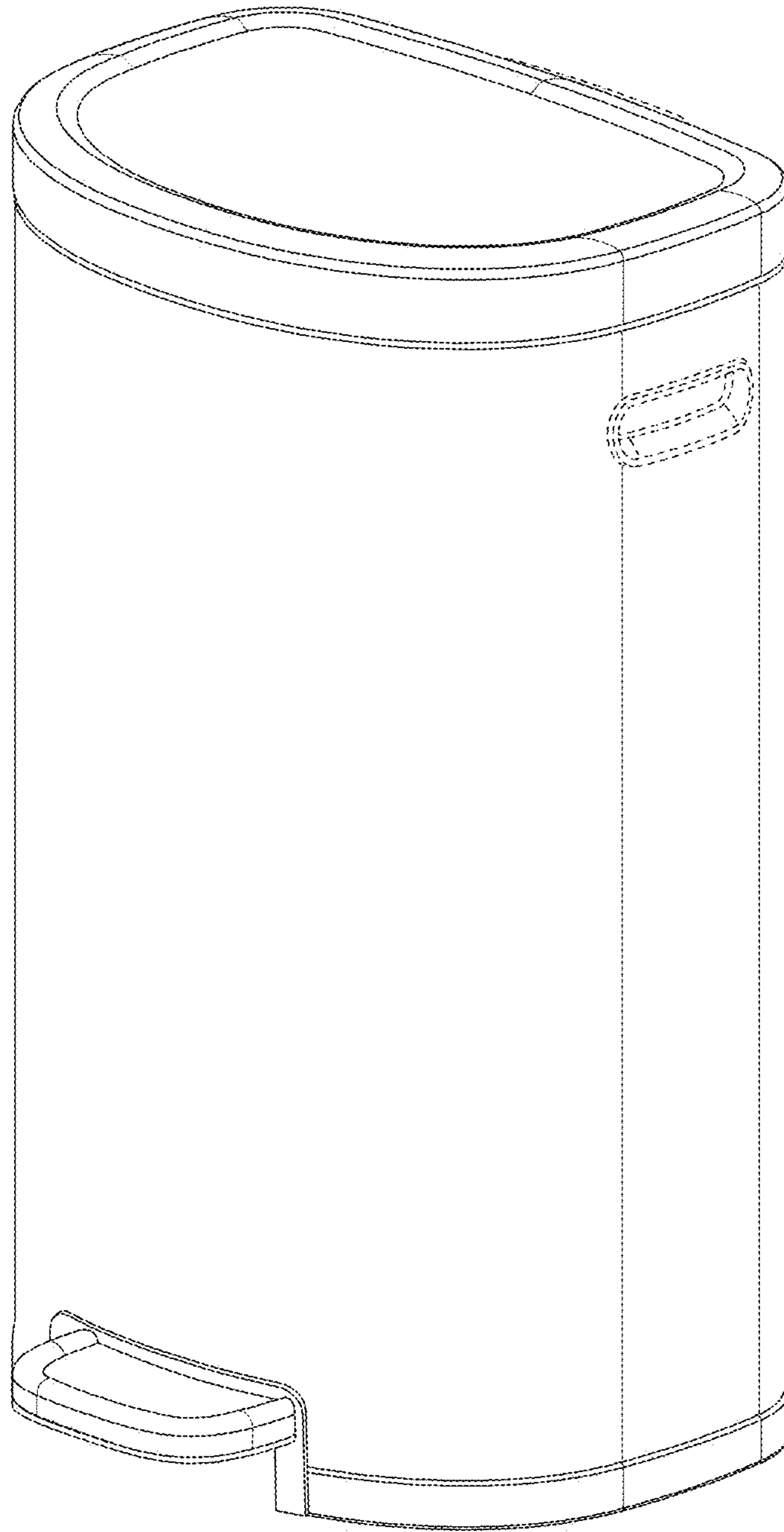


FIG. 1

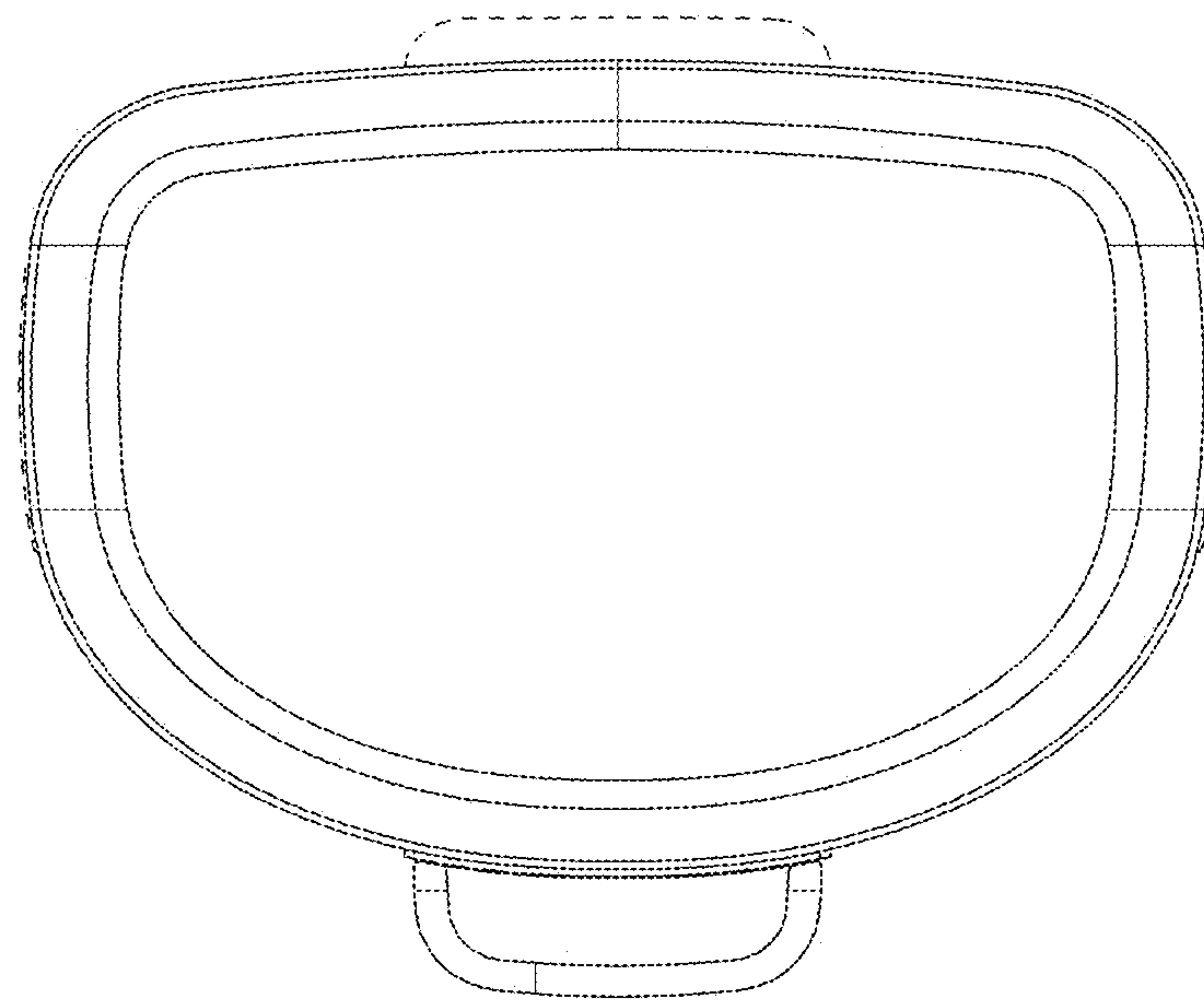


FIG. 2

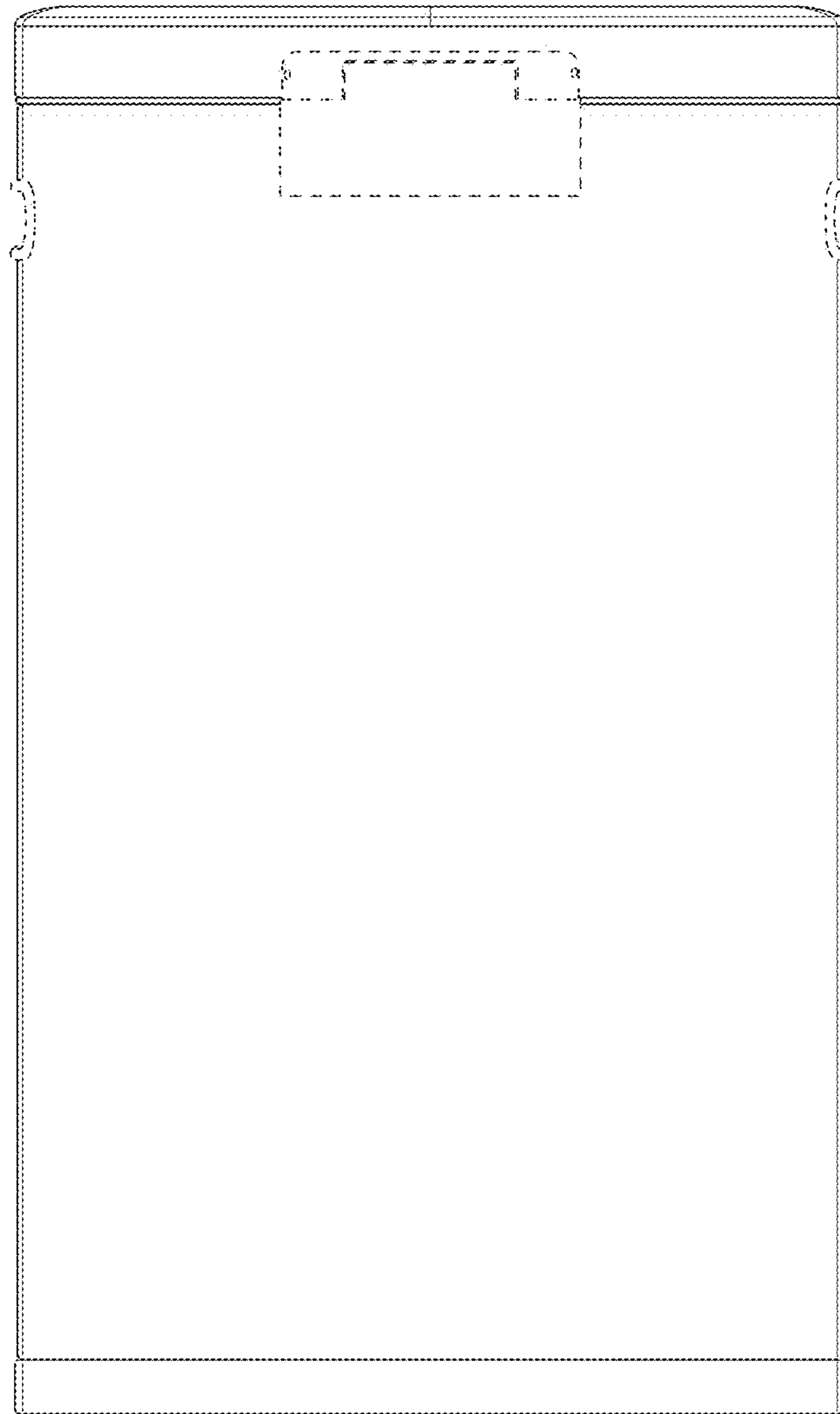


FIG. 3

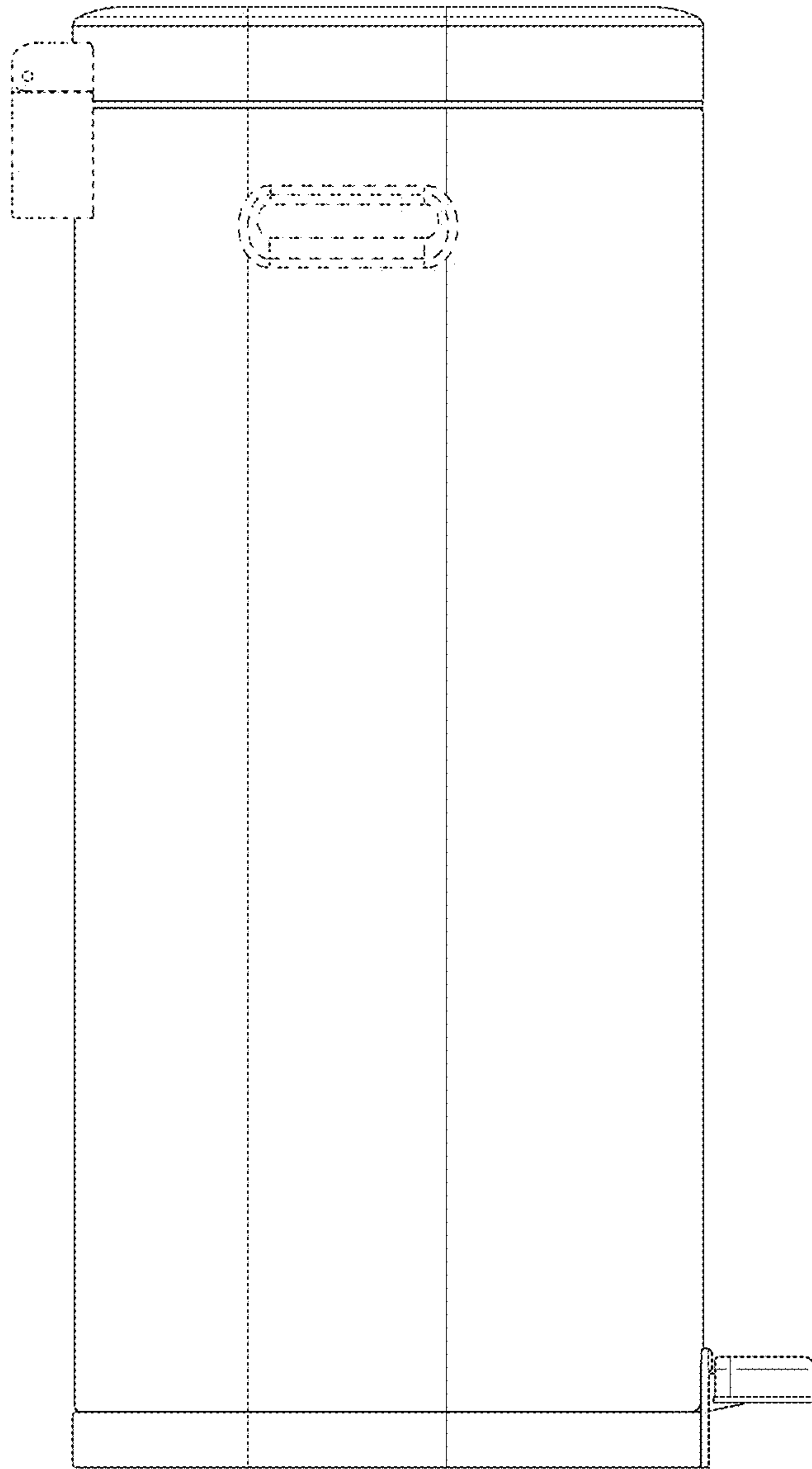


FIG. 4

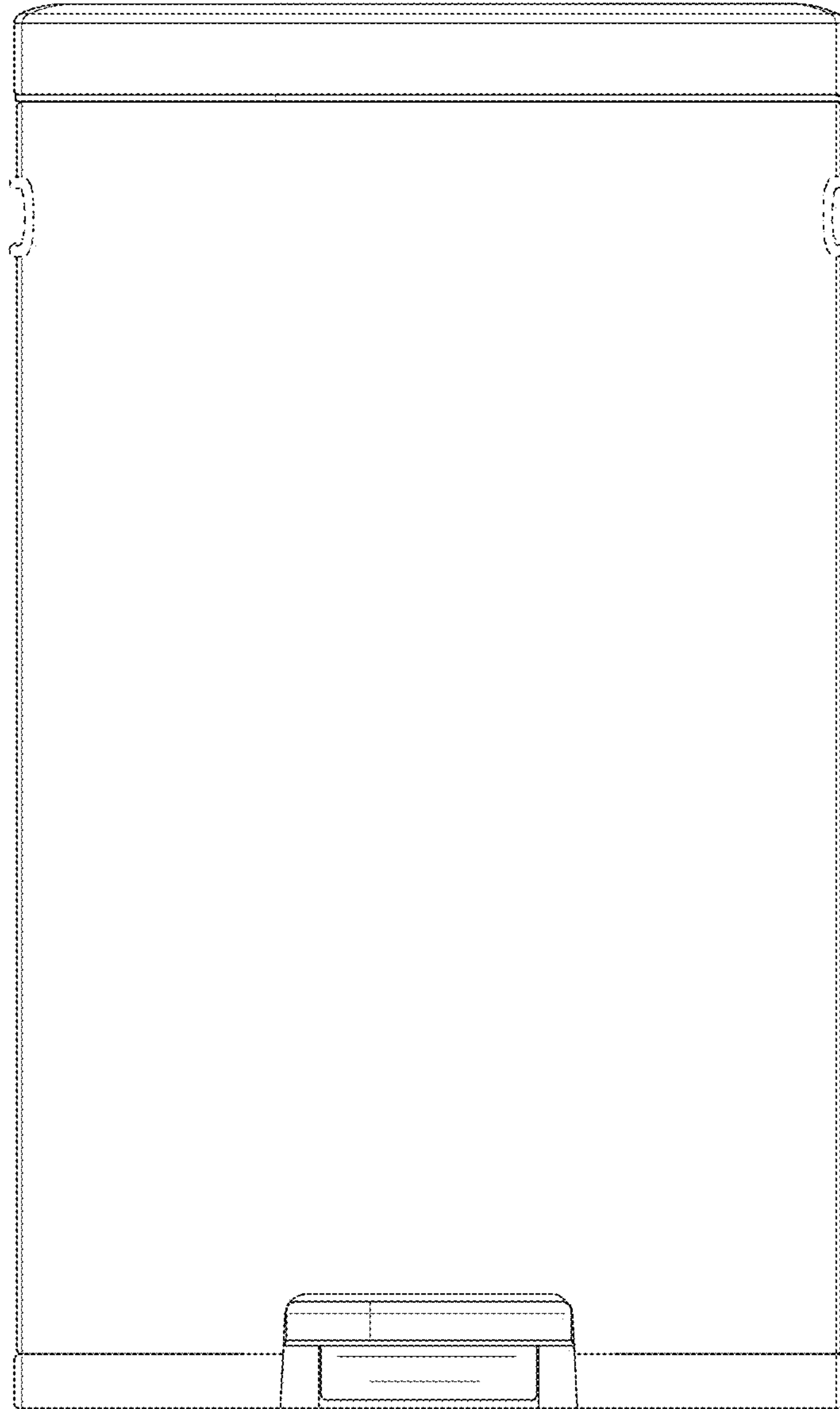


FIG. 5

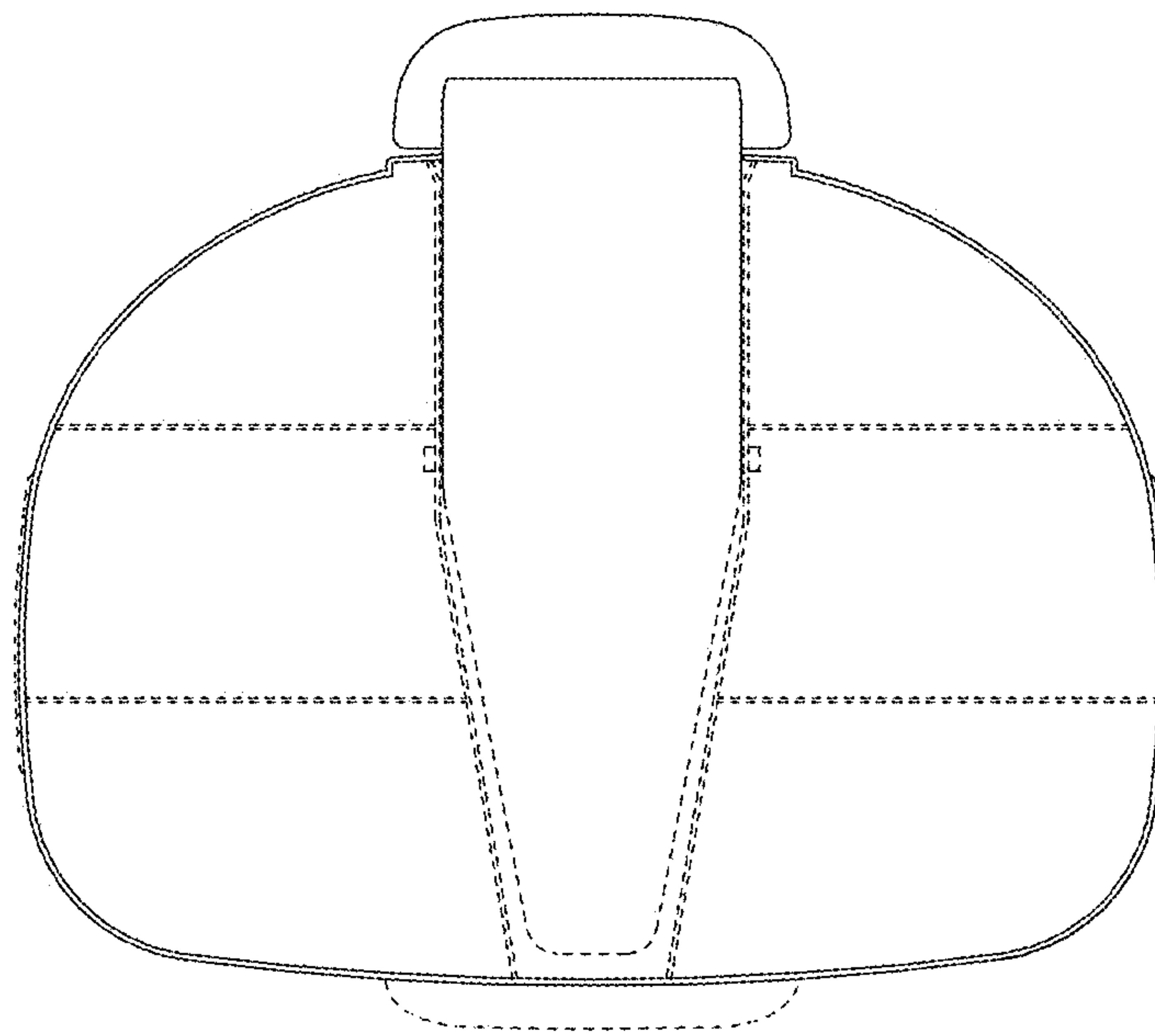


FIG. 6

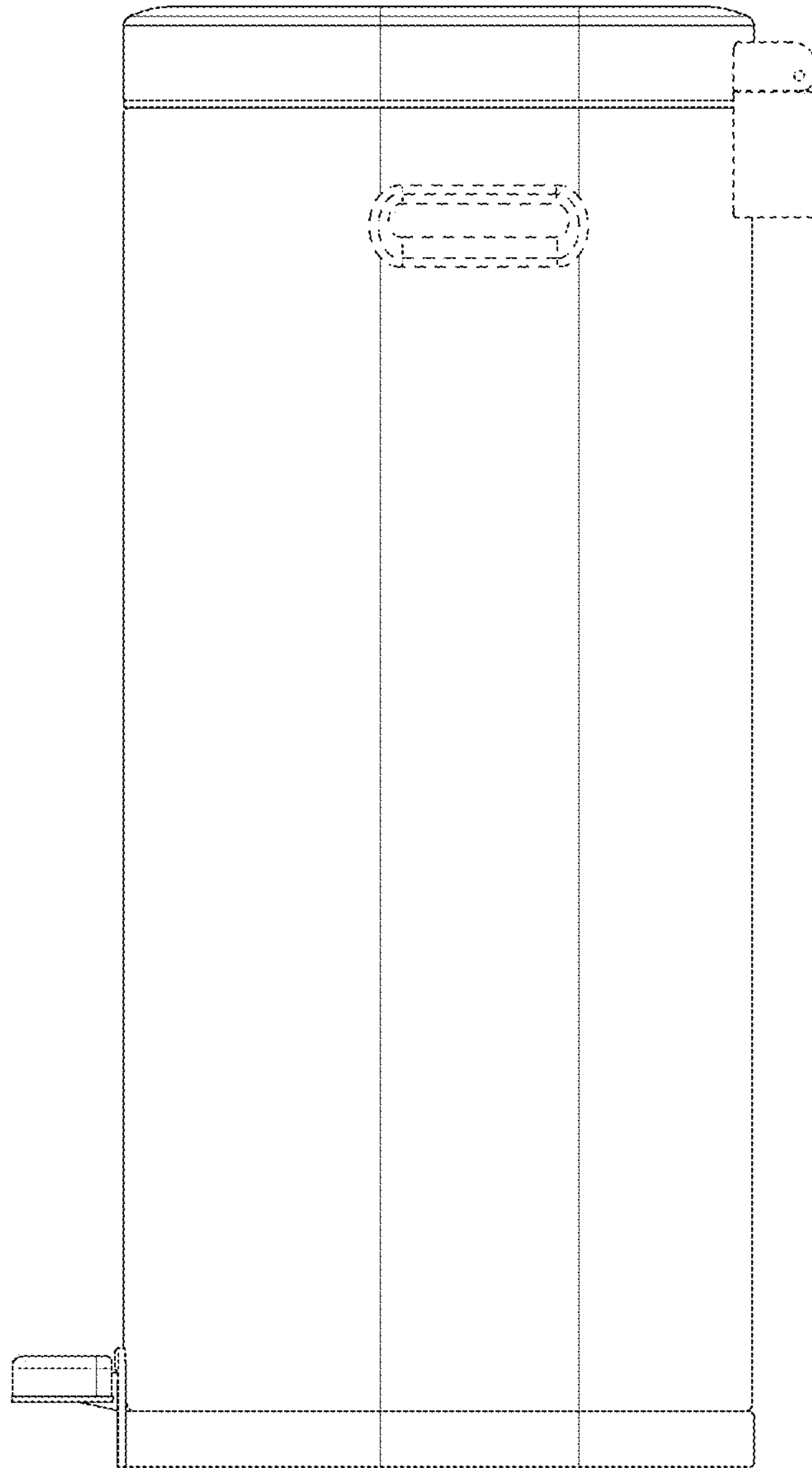


FIG. 7